



RCA Victor

SERVICE MANUAL

for

Broadcast Radio Receivers

All-Wave Radio Receivers

RCA Victrola Instruments

and

Miscellaneous Service Information

SERVICE DIVISION

RCA Victor Company Limited

MONTREAL, CANADA

REPRESENTATIVES IN ALL PRINCIPAL CITIES



RCA Victor

SERVICE MANUAL

for

Broadcast Radio Receivers

All-Wave Radio Receivers

RCA Victrola Instruments

and

Miscellaneous Service Information

SERVICE DIVISION

RCA Victor Company Limited

MONTREAL, CANADA

REPRESENTATIVES IN ALL PRINCIPAL CITIES

Foreword

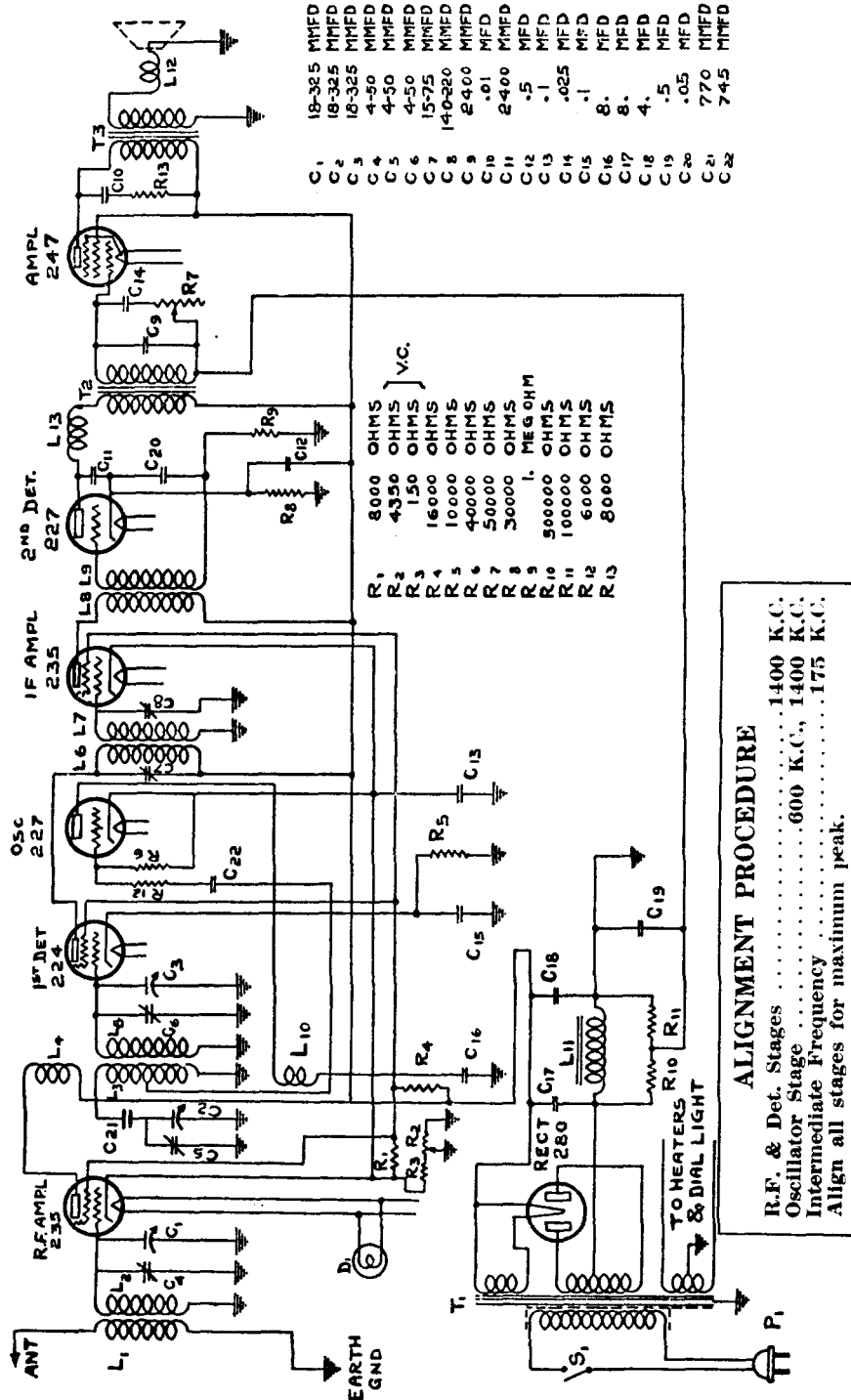
THIS manual is a thoroughly revised text of all information which has previously appeared in our Service Notes. It has been our aim in compiling this manual to be as concise as possible without omitting any material which is of essential value to the Service Engineer. We believe our objective has been attained.

The numerical price list appearing in loose-leaf form was complete at the time of printing, but prices are subject to change without notice. The prices prevailing at the time parts are ordered will apply in all instances. The prices in the numerical list are for minimum package quantities as indicated therein.

No material should be returned for credit or exchange without first taking the matter up with us. We are ready at all times to rectify any mistake that we make, but under no circumstances should goods be returned without the necessary authorization. Non-adherence to this routine will only result in delay of the attendant credit or replacement adjustment.

We encourage the custom of advising us of any complaints or suggestions for improvement. Such information has always proven mutually beneficial and will be incorporated in succeeding issues wherever practicable.

Model R-6 A.C. Receiver



REPLACEMENT PARTS — Model R-6

Insist on genuine factory tested parts, which are readily identified and may be purchased from authorized dealers.

Stock No.	DESCRIPTION	Stock No.	DESCRIPTION
	RECEIVER ASSEMBLY		
2563	Resistor—6,000 ohms—Carbon type	2999	Drive shaft—Dial drive shaft with mounting screws and washers
7299	Capacitor—745 mmfd.	7241	Capacitor—3 gang tuning capacitor
S-1002	Capacitor—770 mmfd.	3056	Shield—Radiotron Shield—3 used
2745	Screw—Adjusting condenser screw—	3000	Scale—Dial scale and drum with set screws
2746	Socket—Dial lamp socket	7054	Cord—Power cord
2747	Cap—Grid connector cap—	S-1012	Capacitor—2,400 mmfd.—Secondary by-pass for audio
2749	Capacitor—2,400 mmfd.	S-1013	Capacitor—.025 mfd.—For tone control
2875	Knob—Tuning, volume control or tone control knob	3060	Resistor—40,000 ohms—Carbon type
2881	Bracket—Dial lamp bracket—	2963	Resistor—8,000 ohms—Carbon type
2882	Socket—UY Radiotron socket—6 used	3076	Resistor—1 megohm—Carbon type
S-1003	Capacitor Pack—By-pass capacitor pack	3077	Resistor—30,000 ohms—Carbon type
2968	Socket—UX Radiotron Socket—1 used	3078	Resistor—10,000 ohms—Carbon type
S-1060	Transformer—Power transformer—105-125 volts—50-60 cycles	3081	Resistor—16,000 ohms—Carbon type
S-1025	Transformer—Power transformer—105-125 volts—25-40 cycles	S-1014	Resistor—8,000 ohms—Carbon type
S-1004	Transformer Pack—Audio interstage and output transformer	3048	Resistor—500,000 ohms—Carbon type
2995	Volume Control—Complete less knob	S-1016	Resistor—100,000 ohms—Carbon type
S-1005	Tone control and switch—Tone control and operating switch—Complete less knob	3003	Cushion—Sponge rubber chassis support cushions—(One set of 4)
2991	Transformer—First Intermediate Transformer	3005	Screw assembly—Speaker mounting screw assembly—Comprising one set of 4 screws, 4 eyelets, 4 nuts and 4 washers
S-1006	Transformer—Second Intermediate Transformer	3020	Escutcheon—Station selector escutcheon complete with 3 escutcheon pins
2994	Coil—Second detector plate coil complete with mounting rivet	3062	Board — Loudspeaker terminal board —
S-1303	Coil—Detector and oscillator coil—Complete with mounting screws and washers	8559	Ring—Cone retaining ring
S-1023	Coil—R. F. coil—Complete with mounting nuts and washers	8570	Shield—Intermediate transformer shield
		8601	Cone—Cone with voice coil
		S-1017	Coil—Speaker field coil, core and cone support

Model R-7, R-8 & R-9 A.C. Receiver

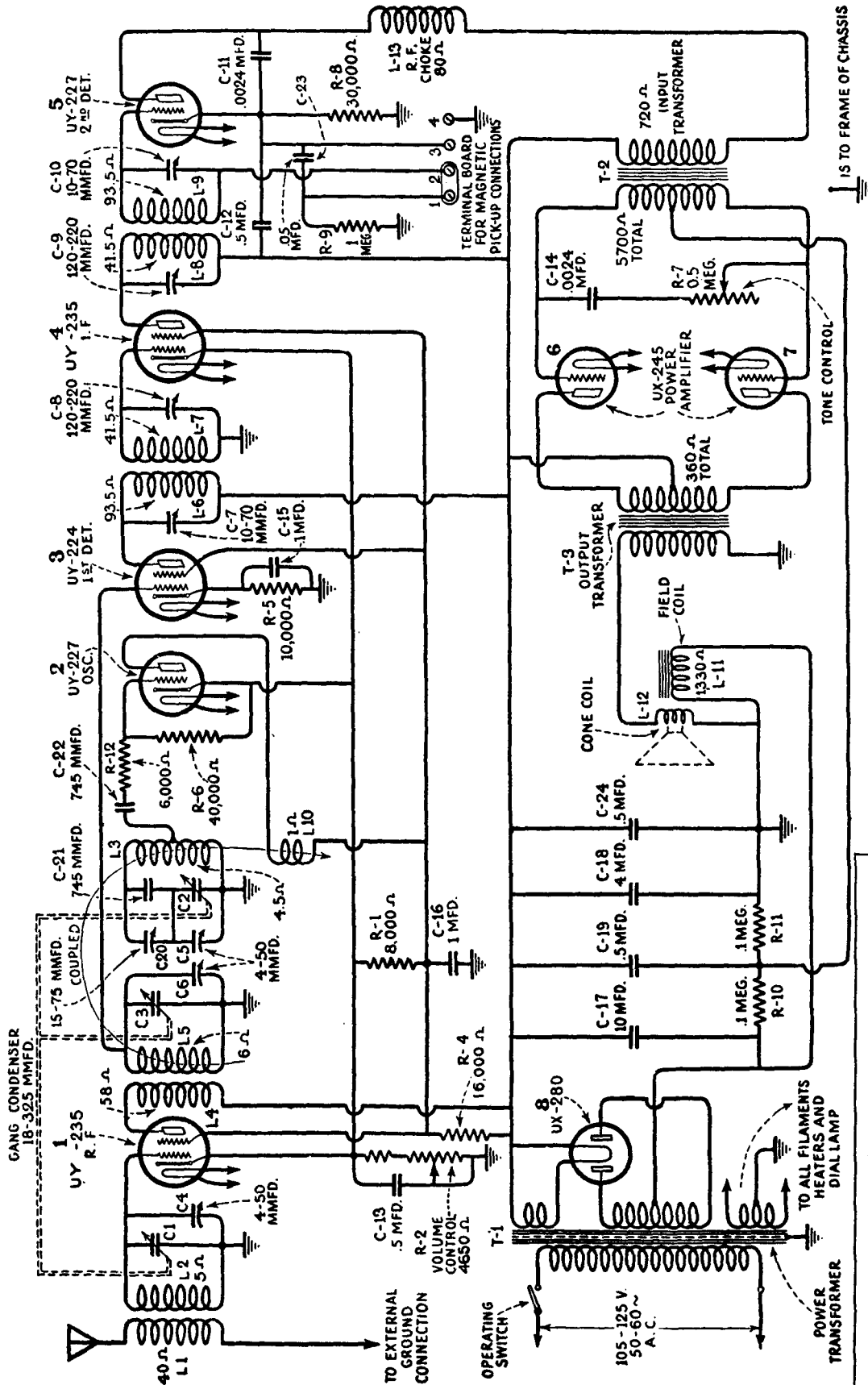


Figure 2—Schematic Wiring Diagram

ALIGNMENT PROCEDURE

R.F. & Det. Stages 1400 K.C.
 Oscillator Stage 600 K.C., 1400 K.C.
 Intermediate Frequency 175 K.C.
 Align all stages for maximum peak.

REPLACEMENT PARTS — Model R-7, R-8 & R-9

Insist on genuine factory tested parts, which are readily identified and may be purchased from authorized dealers.

Stock No.	DESCRIPTION	Stock No.	DESCRIPTION
	RECEIVER ASSEMBLY	2992	Transformer—2nd I. F. transformer
2746	Socket—Dial lamp socket	2973	Phonograph pick-up terminal board
3056	Shield—Tube Shield	2996	Tone control
2882	Socket—UY Radiotron tube socket	7241	Condenser—3 gang tuning condenser
2968	Socket—UX Radiotron tube socket	7062	Condenser—Adjustable condenser
3000	Scale—Dial scale complete	2749	Capacitor—2,400 mmfd.
3768	Screw—Dial scale set screw—	3081	Resistor — 16,000 ohms — 3 watt — Carbon type
2999	Shaft—Dial drive shaft	2546	Resistor—1 megohm—1 watt—Carbon type
2957	Condenser—10 mfd. electrolytic condenser	2994	Coil—2nd detector R. F. choke coil
3057	Condenser—4 mfd. electrolytic condenser	2240	Resistor — 30,000 ohms — 1 watt—Carbon type
2997	Coil—R. F. coil complete	3058	Resistor — 100,000 ohms—1 watt—Carbon type
2747	Cap—Grid contact cap—	2731	Resistor — 10,000 ohms — 1 watt—Carbon type
7238	Capacitor pack—R. F. By-pass capacitor pack	8837	Support—Rubber chassis support—
7239	Transformer—Audio transformer pack		
2995	Volume control	S-1290	Transformer—Power transformer—60 cycle 120 volts
2998	Coil—Detector and oscillator coil	S-1288	Transformer—Power transformer—25 cycle 120 volts
2734	Capacitor—745 mmfds		
3060	Resistor—40,000 ohms—1 watt—Carbon type		
2563	Resistor — 6,000 ohms — 1 watt — Carbon type		
2963	Resistor — 8,000 ohms — 1 watt — Carbon type		
2991	Transformer—1st I. F. Transformer	8601	Cone—Reproducer cone
		8653	Field coil, cone and cone support
			SPEAKER PARTS

Models R-7A R-8A R-9A A.C. Receiver

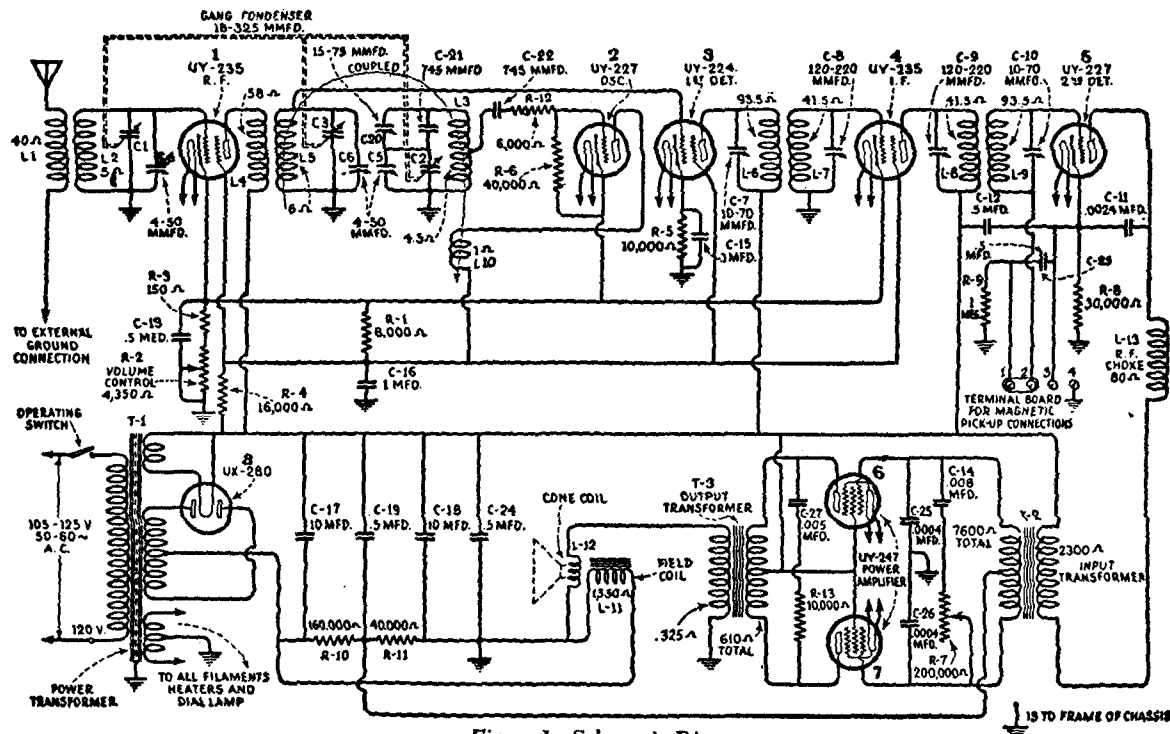


Figure 1—Schematic Diagram

ALIGNMENT PROCEDURE

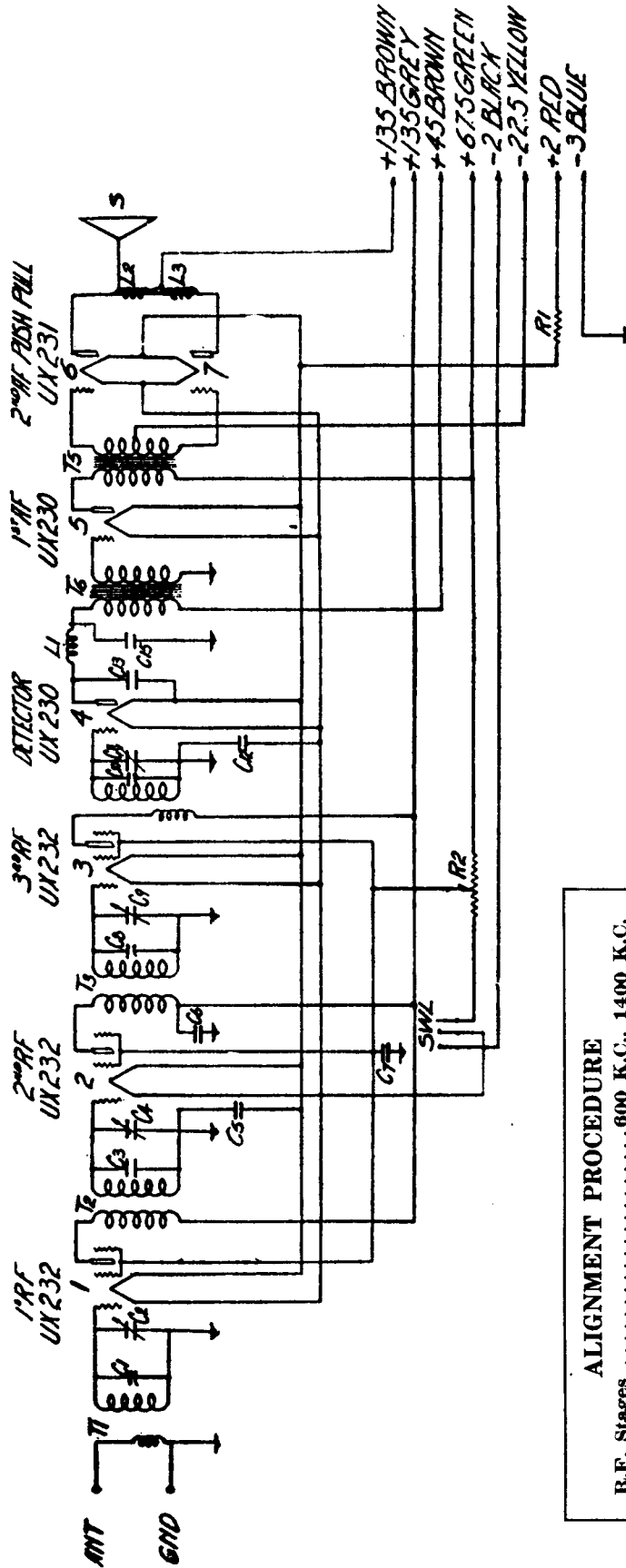
R.F. & Det. Stages 1400 K.C.
 Oscillator Stage 600 K.C., 1400 K.C.
 Intermediate Frequency 175 K.C.
 Align all stages for maximum peak.

REPLACEMENT PARTS FOR MODELS R-7A, R-8A & R-9A

Insist on genuine factory tested parts, which are readily identified and may be purchased from authorized dealers.

STOCK NO.	DESCRIPTION	STOCK NO.	DESCRIPTION
2563	Resistor-6,000 ohms-Carbon type.	3020	Escutcheon-Station selector escutcheon complete with 4 mounting screws.
2734	Capacitor-745 mmfd.	3056	Shield-Radiotron shield.
2745	Screw-Adjusting condenser screw.	3060	Resistor-40,000 ohm-carbon type.
2746	Socket-Dial lamp socket.	3062	Board-Loudspeaker terminal board.
2747	Cap-Grid connector cap.	3076	Resistor-1 megohm-Carbon type.
2749	Capacitor-2400 mmfd.	3077	Resistor-30,000 ohm-Carbon type.
2875	Knob-Tuning, volume control or tone control knob.	3078	Resistor-10,000 ohm-Carbon type.
2881	Bracket-Dial lamp bracket.	3079	Resistor-40,000 ohm-Carbon type.
2882	Socket-UY Radiotron socket.	3080	Resistor-150,000 ohm-Carbon type.
2957	Capacitor-10 mfd. electrolytic capacitor.	3081	Resistor-15,000 ohm-Carbon type.
2963	Resistor-8,000 ohm carbon type.	3083	Tone control and switch-Tone control and operating switch-Complete less knob.
2968	Socket-UX Radiotron socket-1 used.	3084	Capacitor-0.008 mfd.-For tone control.
2973	Board-Magnetic pickup terminal board.	3085	Capacitor-400 mfd.
2991	Transformer-First intermediate transformer.	7054	Cord-Power cord.
2992	Transformer-Second intermediate transformer.	7062	Capacitor-Adjustable oscillator trimmer capacitor.
2994	Coil-Second detector plate coil complete with mounting rivet.	7241	Capacitor-3 gang tuning capacitor.
2995	Volume control-Complete less knob.	7255	Transformer-Interstage audio transformer.
2997	Coil-R.F. coil-Complete with mounting-washers and nuts.	7256	Capacitor pack-By-pass capacitor pack.
2998	Coil-Detector and oscillator coil-Complete with mounting washers and nuts.	8559	Ring-Cone retaining ring.
2999	Drive shaft-Dial drive shaft with mounting screws and washers.	8570	Shield-Intermediate transformer shield.
3000	Scale-Dial scale and drum with set screws.	8601	Cone-Cone with voice coil.
3003	Cushion-Sponge rubber chassis support cushions.	8653	Coil-Speaker field coil, core and cone support.
3005	Screw assembly-Speaker mounting screw assembly-Comprising one set of 4 screws, 4 eyelets, 4 nuts and 4 washers.	8679	Transformer-Power transformer-105-125 volt, 50-60 cycle.
		8680	Transformer-Power transformer-105-125 volt, 25-40 cycle.

Model R-10 Battery Receiver



ALIGNMENT PROCEDURE

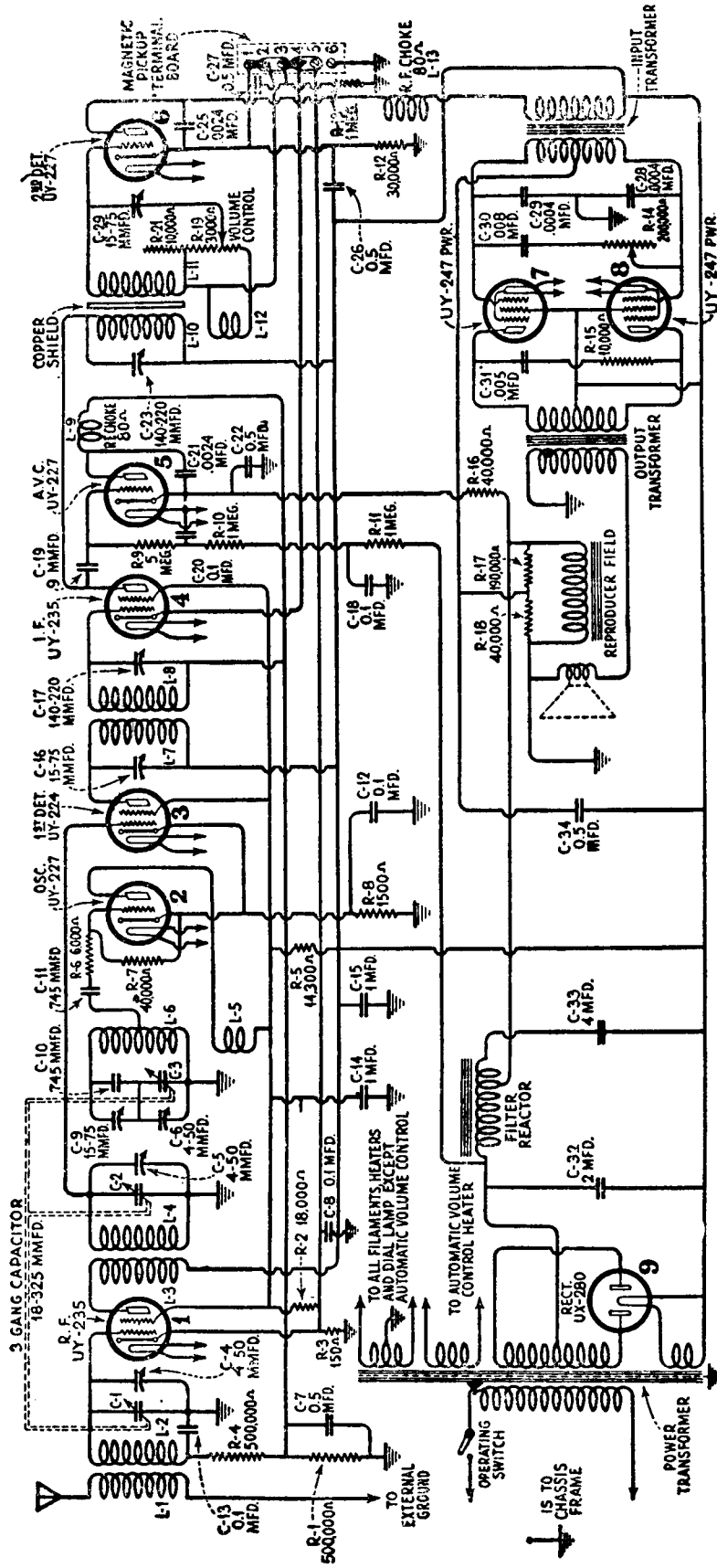
R.F. Stages 600 K.C., 1400 K.C.
 Rock gang back and forth through resonant point while aligning.

REPLACEMENT PARTS — Model R-10

Insist on genuine factory tested parts, which are readily identified and may be purchased from authorized dealers.

Stock No.	DESCRIPTION	Stock No.	DESCRIPTION
RECEIVER ASSEMBLIES			
190	Socket—4 Contact socket for detector or first audio frequency tube.....	155	Transformer — Second audio frequency transformer.....
191	Socket—4 Contact socket for output Radiotron tubes.....	170	Strip—Cable terminal strip.....
192	Socket—4 Contact socket for R. F. tubes...	171	Resistor—.56 ohms—wire wound.....
162	Cap—Tube contact cap—.....	160	Binding post—Antenna-Ground binding post assembly.....
163	Volume Control.....	161	Jack—Speaker jack assembly.....
164	Switch—Operating switch.....	ADDITIONAL PARTS FOR R-10 No. 2	
174	Condenser—4 gang tuning condenser assembly.....	176	Resistor—2 megohms—Carbon type.....
166	Shaft—Station selector drive shaft.....	177	Resistor—50,000 ohms—Carbon type.....
167	Dial—Station selector dial assembly.....	178	Resistor—500,000 ohms—Carbon type.....
156	Capacitor—Comprising two .5 mfd. sections.	159	Capacitor—Audio coupling capacitor .01 mfd.....
154	Transformer—First audio frequency transformer.....	REPRODUCER PARTS	
158	Capacitor—.0005 mfd.....	181	Cone—Reproducer cone.....
157	Capacitor—.002 mfd.....	182	Armature—Reproducer armature assembly.
175	Coil—Radio frequency choke coil.....	180	Coils—Actuating coils (Pair).....
150	Coil—Antenna coupling coil—complete...	183	Support—Reproducer armature support....
152	Coil—First stage R. F. transformer coil—Complete.....	185	Screws—Armature centering screws—.....
151	Coil—Second stage R. F. transformer coil—Complete.....	184	Pin—Reproducer cone actuating pin.....
153	Coil—Detector R. F. transformer coil—Complete.....		

Model R-12 A.C. Receiver



Schematic Circuit Diagram

ALIGNMENT PROCEDURE

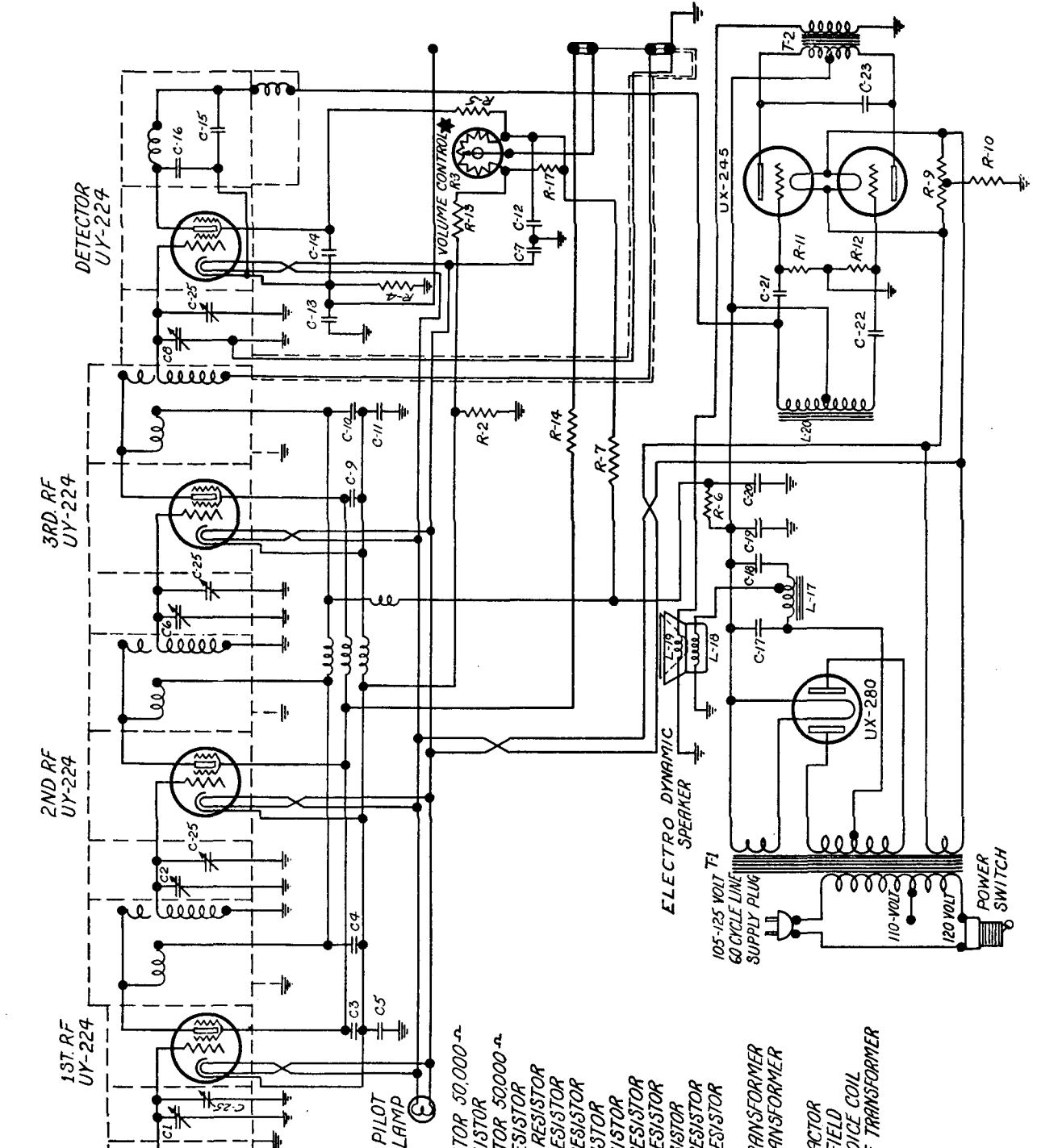
- R.F. & Det. Stages 1400 K.C.
 - Oscillator Stage 600 K.C., 1400 K.C.
 - Intermediate Frequency 175 K.C.
- Align all stages for maximum peak.

REPLACEMENT PARTS — Model R-12

Insist on genuine factory tested parts, which are readily identified and may be purchased from authorized dealers.

Stock No.	DESCRIPTION	Stock No.	DESCRIPTION
	RECEIVER ASSEMBLY		
2563	Resistor—6,000 ohms—Carbon type.....	3089	Terminal board—Magnetic pickup terminal board.....
2730	Resistor—18,000 ohms—Carbon type.....	3092	Volume control—Complete with mounting nut.....
2734	Capacitor—745 mmfd.....	3093	Tone control—Complete with mounting nut.....
2746	Socket—Dial lamp socket.....	3094	Shield—Radiotron shield—.....
2747	Contact cap.....	3095	Coil—R. F. coil—Complete with mounting bracket.....
2749	Capacitor—2400 mmfd.....	3096	Coil—1st detector and oscillator coil—Complete with mounting bracket.....
2882	Socket—UY Radiotron socket—Complete with insulating shield—.....	3097	Scale—Dial drum scale with set screws.....
2968	Socket—UX Radiotron socket—Complete with insulating shield—.....	3098	Capacitor—0.008 mfd.....
2999	Shaft—Dial drum drive shaft.....	3099	Capacitor—0.005 mfd.....
3029	Indicator — Tuning dial indicator — Complete with bracket.....	7054	Cord—Power cord.....
3046	Resistor—190,000 ohms—Carbon type.....	7062	Capacitor—Adjustable oscillator trimmer capacitor.....
S-1293	Resistor—1500 ohms—Carbon type.....	7241	Capacitor—3 gang tuning capacitor with mounting screws and washers.....
3048	Resistor—500,000 ohms—Carbon type.....	7266	Transformer—1st intermediate transformer.....
3049	Resistor—150 ohms—Carbon type.....	7267	Transformer—2nd intermediate transformer.....
3050	Resistor—14,000 ohms—Carbon type.....	7268	Coil—Detector or A.V.C. R. F. choke coil—Complete with mounting rivet.....
3051	Resistor—5 megohm—Carbon type.....	S-1063	Capacitor pack—In metal container.....
3053	Capacitor—9 mmfd.....	7270	Reactor—Filter reactor.....
3054	Escutcheon—Station selector escutcheon—With 4 mounting screws.....	7271	Transformer—Interstage Transformer.....
3055	Cushion—Chassis support cushion—.....	7272	Transformer—Power transformer—105-125 volt—50-60 cycles.....
3056	Shield—Radiotron shield—6 used.....	7274	Transformer—Power transformer—105-125 volts—25-40 cycles.....
3076	Resistor—1 megohm—Carbon type.....	7257	Coil — Cone support with retaining ring, magnet and field coil.....
3077	Resistor—30,000 ohms—Carbon type.....	7258	Transformer—Output transformer.....
3078	Resistor—10,000 ohms—Carbon type.....	8559	Ring—Cone retaining ring.....
3079	Resistor—40,000 ohms—Carbon type.....	8601	Cone—Cone with voice coil.....
3085	Capacitor—400 mmfd.....		

Models R-15 & R-16 A.C. Receivers



ALIGNMENT PROCEDURE
 R.F. Stages . . 600 K.C., 1400 K.C.
 Rock gang back and forth through resonant point while aligning.

- C-1 TUNING CONDENSER
- C-2 TUNING CONDENSER
- C-3 0.1 MFD. CONDENSER
- C-4 0.1 MFD. CONDENSER
- C-5 0.1 MFD. CONDENSER
- C-6 TUNING CONDENSER
- C-7 0.1 MFD. CONDENSER
- C-8 TUNING CONDENSER
- C-9 0.1 MFD. CONDENSER
- C-10 0.1 MFD. CONDENSER
- C-11 0.1 MFD. CONDENSER
- C-12 0.1 MFD. CONDENSER
- C-13 .75 MFD. CONDENSER
- C-14 .25 MFD. CONDENSER
- C-15 320 MMF. CONDENSER
- C-16 320 MMF. CONDENSER
- C-17 0.1 MFD. CONDENSER
- C-18 20 MFD. CONDENSER
- C-19 1.5 MFD. CONDENSER
- C-20 10 MFD. CONDENSER
- C-21 .025 MFD. CONDENSER
- C-22 .025 MFD. CONDENSER
- C-23 .005 MFD. CONDENSER
- C-25 5 TO 15 MMF. ADJ. COND.
- R-1 VAR. RESISTOR 50,000 Ω
- R-2 120 Ω RESISTOR
- R-3 VAR. RESISTOR 50,000 Ω
- R-4 17,000 Ω RESISTOR
- R-5 200,000 Ω RESISTOR
- R-6 3,200 Ω RESISTOR
- R-7 3,200 Ω RESISTOR
- R-9 55 Ω RESISTOR
- R-10 715 Ω RESISTOR
- R-11 930,000 RESISTOR
- R-12 930,000 RESISTOR
- R-13 880 Ω RESISTOR
- R-14 16,000 Ω RESISTOR
- R-17 12,000 Ω RESISTOR
- T-1 POWER TRANSFORMER
- T-2 OUTPUT TRANSFORMER
- L-17 FILTER REACTOR
- L-18 SPEAKER FIELD
- L-19 SPEAKER VOICE COIL
- L-20 INTERSTAGE TRANSFORMER

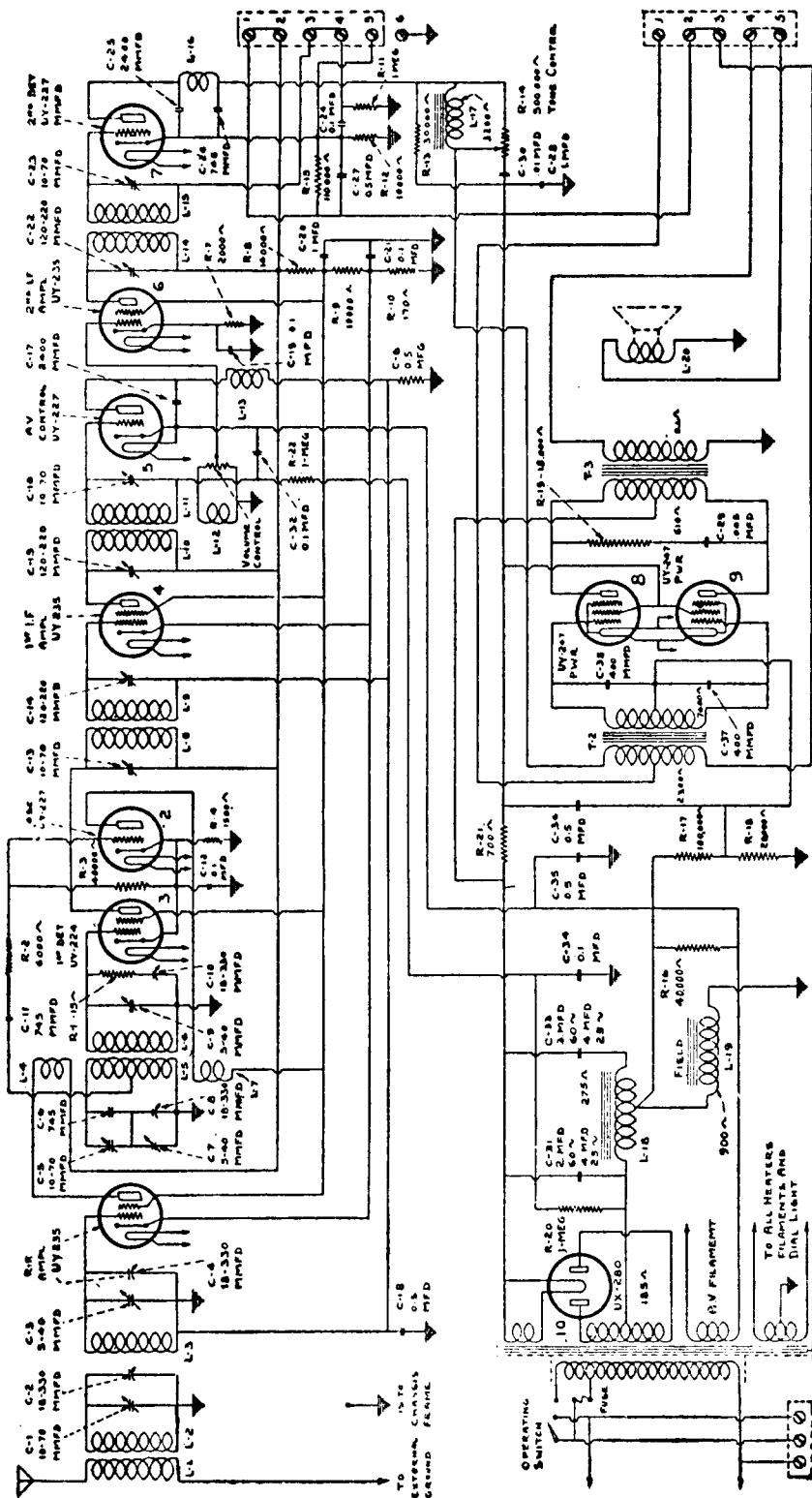
R-1 AND R-3 ARE DUAL TYPE, BOTH OPERATED BY THE SAME KNOB.

REPLACEMENT PARTS — Model R-15, R-16

Insist on genuine factory tested parts, which are readily identified and may be purchased from authorized dealers.

Stock No.	DESCRIPTION	Stock No.	DESCRIPTION
CHASSIS ASSEMBLIES			
8615	Transformer—Power transformer—105-125 volt—25 or 60 cycles.....	2794	Resistor—3,200 ohms—Carbon type—1 watt.....
7112	Transformer—Antenna transformer.....	2796	Resistor—16,000 ohms—Carbon type—1 watt.....
7113	Transformer—Interstage R. F. transformer.....	7107	Capacitor—Comprising two .1 mfd. capacitors in metal container.....
8604	Inductor—Tapped filter inductor.....	7106	Capacitor—Comprising one .75 mfd. and one .27 mfd. capacitors in metal container.....
7124	Socket—5 Contact tube socket for UY-224 Tubes.....	7123	Socket—Double socket for UX-245 Radiotron tubes.....
10891	Scale—Tuning dial scale.....	2722	Resistor—55 ohm mid-tapped filament resistor.....
7121	Socket—Dial lamp socket and bracket.....	8602	Condenser—4 gang tuning condenser.....
7129	Volume Control.....	2801	Cord—Condenser drive cord.....
7115	Filter assembly—Detector plate filter—comprising 2 coils and 2 capacitors on micarta strip.....	2800	Spring—Tuning condenser drive cord tension spring—
2797	Resistor—17,000 ohms—Carbon type—1 watt.....	7108	Capacitor—Comprising three .1 mfd. capacitors in metal container.....
2798	Resistor—200,000 ohms—Carbon type—1 watt.....	7122	Socket—Single socket for UX-280 Radiotron tube.....
2747	Cap—Grid contact cap.....	7125	Terminal Strip—8 Contact terminal strip...
8608	Transformer and capacitor assembly—Comprising interstage transformer, one 2 mfd., one .1 mfd., one 1.5 mfd., one 1. mfd., two .025 mfd., and one .005 mfd. capacitors in metal container.....	2723	Switch—Operating toggle switch.....
7117	Resistor—Porcelain type voltage divider resistor—Comprising one 3200 ohm section and one 1665 ohm section tapped at 830 and 950 ohms.....	REPRODUCER ASSEMBLIES	
2799	Resistor—430,000 ohms—Carbon type—1 watt.....	7104	Transformer—Output transformer.....
		8601	Cone—Reproducer cone.....
		8599	Coil—Field coil.....

Models R-20 & R-21 A.C. Receivers



ALIGNMENT PROCEDURE

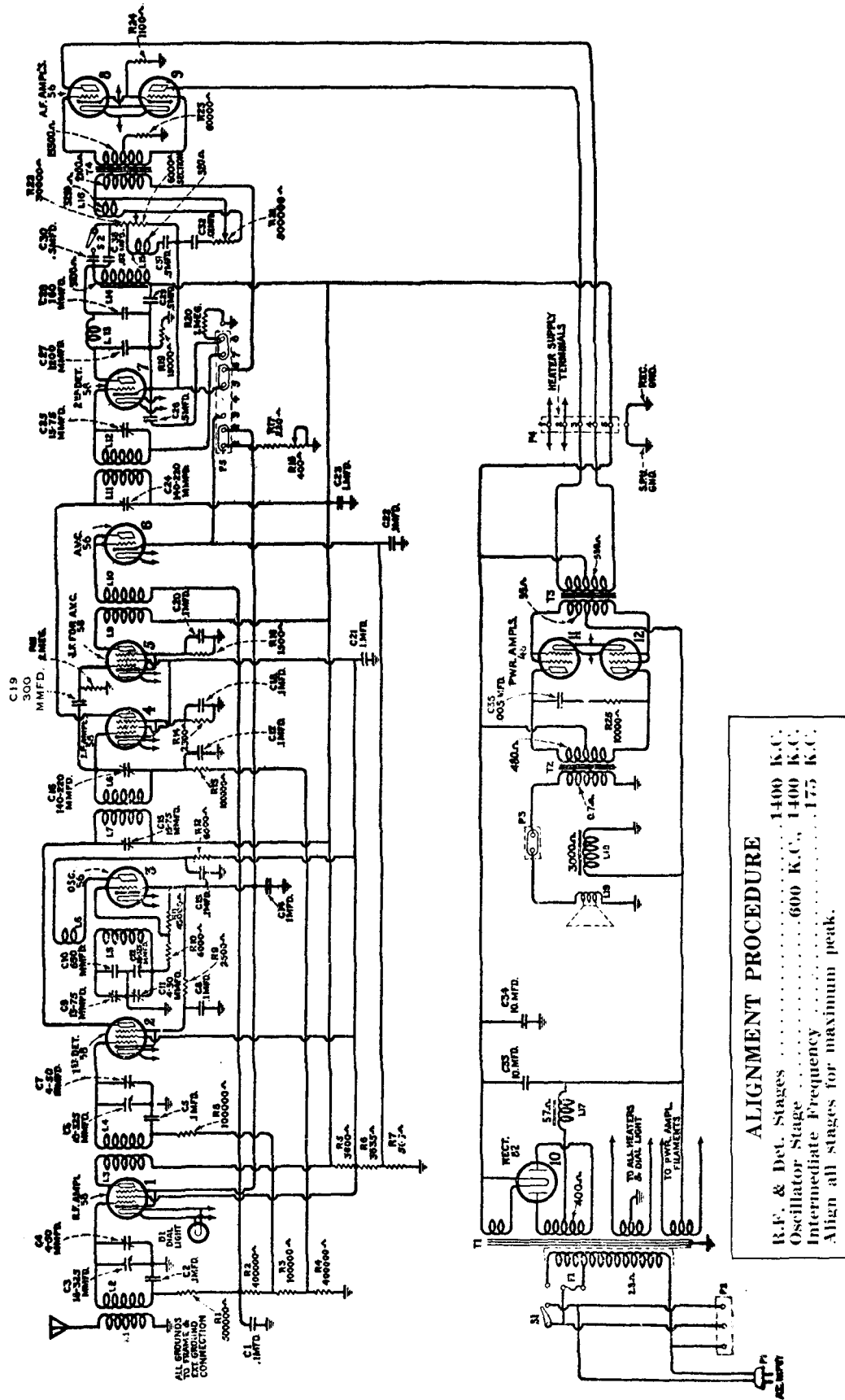
R.F. & Det. Stages 1400 K.C.
 Oscillator Stage 600 K.C., 1400 K.C.
 Intermediate Frequency 175 K.C.
 Align all stages for maximum peak.

REPLACEMENT PARTS — MODEL R-20 & R-21

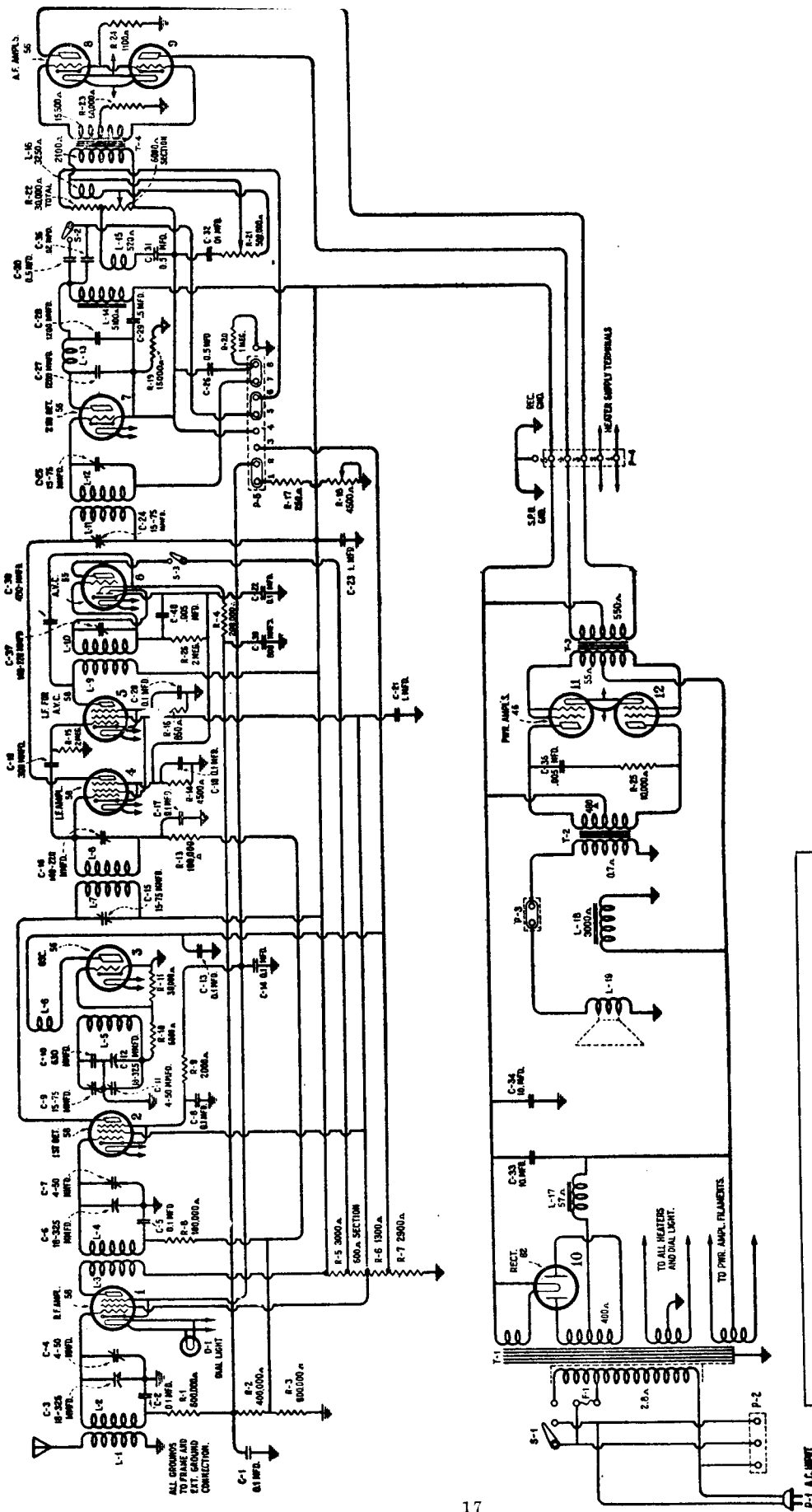
Insist on genuine factory tested parts, which are readily identified and may be purchased from authorized dealers.

Stock No.	DESCRIPTION	Stock No.	DESCRIPTION
	RECEIVER ASSEMBLY FOR R-20 AND R-21	8714	Shield—Shield complete for receiver assembly.....
2726	Socket—UY Type Radiotron socket complete with shield (7 used).....		S.P.U. REPRODUCER ASSEMBLY R-20 AND R-21
2731	Resistor—10,000 ohm—Carbon type.....	2546	Resistor—1 megohm—Carbon type.....
2732	Resistor—110,000 ohm—Carbon type.....	2725	Fuse—Glass type—1.5 amperes.....
2736	Resistor—170 ohm—Carbon type.....		
2746	Socket—Dial lamp socket.....	S-1337	Socket—UY Radiotron socket complete with shield.....
2970	Resistor—500,000 ohm—Carbon type.....	3045	Resistor—40,000 ohm—Carbon type.....
3031	Board—Terminal board complete with insulator—Three terminals.....	3058	Resistor—100,000 ohm—Carbon type.....
3081	Resistor—16,000 ohms—Carbon type.....	3099	Capacitor—0.005 Mfd. capacitor.....
3137	Knob—Station Selector, Volume Control or Tone Control knob.....	3145	Resistor—700 ohm—Carbon type.....
3138	Board—Terminal board complete with soldering terminal.....	3147	Cover—Fuse cover with insulator.....
3139	Coil—Oscillator and first detector coil complete with shield.....	3149	Switch—Operating switch—Toggle type—Assembled—Complete with mounting nuts and escutcheon.....
3142	Volume control—Volume control complete with mounting nut.....	5817	Resistor—20,000 ohm—Carbon type.....
3143	Tone control—Tone control with mounting nut.....	7290	Reactor—Filter reactor.....
3144	Inductor—Tone control inductor.....	7293	Strip—Terminal strip—Complete with 8 terminals.....
3152	Resistor—30,000 ohm—Carbon type.....	7294	Cover—Terminal strip for 7293.....
3153	Resistor—1,500 ohm—Carbon type.....	7296	Cover—Terminal strip cover—5 terminals.....
3154	Resistor—2,000 ohm—Carbon type.....	8710	Transformer—Power transformer—105-125 Volts, 50-60 cycles.....
3155	Resistor—9,000 ohm—Carbon type.....	8712	Capacitor pack—Comprising one 2 Mfd., one 3.0 Mfd., one 0.1 Mfd. and two 0.5 Mfd. condensers in metal container.....
7062	Capacitor—Adjustable capacitor—(2 used).....	8749	Transformer — Power transformer — 25-40 cycles.....
7063	Capacitor—Adjustable capacitor—(3 used).....	8751	Capacitor pack—Comprising two 4.0 Mfd., two 0.5 Mfd., and one 0.1 Mfd. in metal container.....
7278	Coil—R. F. and link circuit coil.....	10907	Fuse—3 amperes.....
7280	Board—Terminal board complete with six terminals.....		SPECIAL PARTS FOR R-21 ONLY
7281	Transformer—1st Intermediate transformer.....	8711	Transformer—Audio Transformer assembly.....
7282	Transformer—2nd Intermediate transformer.....	7292	Screw assembly—Comprising two screws, two nuts, two lockwashers and plate—For mounting speaker.....
7283	Transformer—3rd Intermediate transformer.....	8558	Cone—Reproducer cone.....
7285	Capacitor pack—Comprising one 1.0 Mfd., one 0.5 Mfd. and two 0.1 Mfd. condensers in metal container.....	8559	Ring—Cone retaining.....
7286	Capacitor pack—Comprising one 1.0 Mfd., one 0.5 Mfd., and three 0.1 Mfd. condensers in metal container.....	8713	Coil—Reproducer field coil.....
7287	Bracket—Dial lamp bracket.....		SPECIAL PARTS FOR R-20 ONLY
7288	Scale—Dial scale.....	S-1424	Transformer—Audio Transformer assembly.....
7297	Coil—R. F. choke coil for 2nd detector or automatic volume control.....	7157	Coil—Cone Support with retaining ring magnet and field coil.....
S-1133	Capacitor—0.01 Mfd.....	3559	Ring—Cone retaining.....
2734	Capacitor—745 Mfd.....	8601	Cone—Cone with voice Coil.....
8703	Escutcheon—Station selector escutcheon.....		
8708	Capacitor—Tuning capacitor assembly—Comprising four variable capacitors, drive, drive cord, spring and dial drum—(Assembled).....		
8709	Shield—Metal shield for two UY-235 and two UY-227 Radiotrons.....		

Model R-22 A.C. Receiver



Model R-22A A.C. Receiver



ALIGNMENT PROCEDURE

R.F. & Det. Stages 1400 K.C.
 Oscillator Stage 600 K.C., 1400 K.C.
 Intermediate Frequency 175 K.C.
 Align all stages for maximum peak.

REPLACEMENT PARTS — MODEL R-22 & R-22A

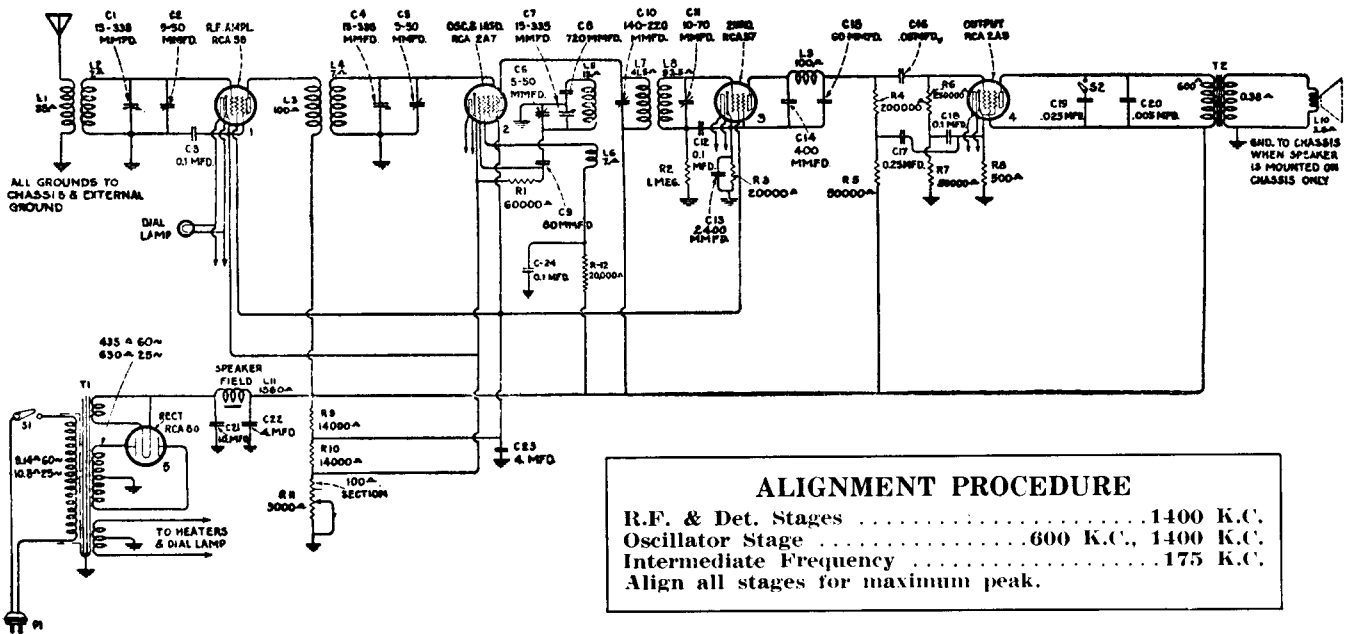
Insist on genuine factory tested parts, which are readily identified and may be purchased from authorized dealers.

Stock No.	DESCRIPTION	Stock No.	DESCRIPTION
RECEIVER ASSEMBLIES			
S-1108	Switch—Fidelity switch.	S-1149	Reactor—Compensating reactor.
2746	Socket—Dial lamp socket.	S-1150	Socket—UY type Radiotron socket.
2747	Contact cap.	S-1151	Socket—Radiotron 6 contact socket.
3047	Resistor—1,500 ohms—Carbon type—1/2 watt.	S-1139	Board—Phonograph terminal board—7 terminals and 3 links.
3055	Cushion—Sponge rubber chassis support cushions.	S-1140	Shield—Radiotron tube shield.
3076	Resistor—1 megohm—Carbon type—1/2 watt.	S-1141	Shield—Tube shield top.
S-1113	Resistor—6,000 ohms—Carbon type—1/2 watt.	S-1148	Transformer—3rd intermediate transformer.
S-1031	Bracket—Dial lamp bracket and indicator.	S-1144	Reactor—Volume control reactor.
S-1029	Spring—3 gang tuning capacitor drive cord tension spring.	S-1147	Transformer—2nd intermediate transformer.
3460	Capacitor—1200 mmfd.	S-1143	Cable—6 conductor—From receiver to S.P.U.
S-1109	Volume control—Complete with mounting nut.	AMPLIFIER ASSEMBLIES	
S-1110	Tone control—Complete with mounting nut and washer.	2725	Fuse—1.5 ampere—Cartridge type fuse.
S-1115	Capacitor—0.1 mfd. capacitor.	2731	Resistor—10,000 ohms—1 watt—Carbon resistor.
S-1116	Resistor—15,000 ohms—Carbon type—1/2 watt.	S-1153	Strip—Terminal strip—2 terminals.
S-1119	Resistor—400,000 ohms—Carbon type—1/2 watt.	3032	Socket—UX type Radiotron socket with insulator.
S-1117	Resistor—1,100 ohms—Carbon type—1/2 watt.	3056	Shield—Radiotron tube shield.
S-1121	Resistor—60,000 ohms—Carbon type—1/2 watt.	3099	Capacitor—.005 mfd. capacitor.
S-1118	Resistor—Voltage divider resistor.	3147	Cover—Fuse cover with bushing and insulator.
S-1122	Reactor—Tone control reactor.	S-1160	Strip—Terminal strip—5 terminals.
6321	Choke coil—2nd detector plate choke coil.	S-1158	Board—Terminal board complete with terminals, fuse clips, and insulator.
S-1112	Capacitor—0.1 mfd. capacitor.	S-1161	Board—Terminal board complete with terminals and insulator—Leas capacitor.
S-1270	Knob—Tone control or volume control knob.	S-1162	Switch—Operating switch.
S-1269	Knob—Station selector control knob.	S-1165	Cord—Power cord.
S-1271	Cord—3 gang tuning capacitor drive cord.	S-1164	Cover—Terminal strip cover with insulator—5 terminals.
S-1125	Coil—R. F. coil complete with mounting bracket.	S-1150	Socket—UY type Radiotron socket with insulator.
6312	Capacitor—650 mmfd.—Oscillator series.	S-1168	Capacitor pack—Comprising two 10. mfd. capacitors in metal container.
S-1127	Resistor—220 ohms—Carbon type—1/2 watt.	S-1169	Reactor—Filter reactor.
S-1130	Capacitor—160 mmfd.	S-1166	Transformer—Audio transformer pack—comprising input and output transformer in metal container.
S-1131	Resistor—45,000 ohms—Carbon type—1/2 watt.	S-1167	Transformer—Power transformer—105-125 volts, 50-60 cycles.
S-1132	Resistor—2,500 ohms—Carbon type—1/2 watt.	S-1170	Transformer—Power transformer—105-125 volts, 25-50 cycles.
7062	Capacitor—Adjustable trimming capacitor—15 to 70 mmfd.	10907	Fuse—3 ampere fuse (for 25 cycle use)—Package of 2.
S-1133	Capacitor—0.01 mfd. capacitor.	REPRODUCER ASSEMBLIES	
S-1134	Capacitor—3 gang variable tuning capacitor complete with mounting screws and washers.	7292	Screw assembly—Comprising two screws, two nuts, two lock-washers and 1 plate—For mounting speaker to amplifier.
S-1137	Drum—Dial drum with set screws and 3 dial mounting nuts.	8559	Ring—Cone retaining ring.
S-1138	Scale—Dial and dial scale.	S-1171	Cone—Reproducer cone complete with voice coil.
S-1135	Capacitor pack—Comprising two 1. mfd. and five 0.1 mfd. capacitors in metal container.	S-1172	Coil assembly—Comprising field coil, magnet, and cone support.
S-1136	Capacitor pack—Comprising four 0.5 mfd., one .02 mfd., and one 0.1 mfd. capacitors in metal container.		
S-1145	Transformer—Interstage audio transformer in metal container.		
S-1146	Transformer—1st intermediate frequency transformer.		
7504	Coil—Detector and oscillator coil complete with mounting bracket.		

Additional Parts for Model R-22A

Stock No.	DESCRIPTION	Stock No.	DESCRIPTION
6352	Transformer—3rd intermediate frequency transformer.	3441	Resistor—850 ohms—Carbon type—1/2 watt.
6353	Transformer—2nd intermediate frequency transformer.	S-1032	Resistor—2 megohms—Carbon type—1/2 watt.
6351	Resistor—Voltage divider resistor.	3440	Resistor—4500 ohms—Carbon type—1/2 watt.
3439	Resistor—600,000 ohms—Carbon type—1/2 watt.	3435	Resistor—250 ohms—Carbon type—1/2 watt.
6354	Rheostat—Noise suppressor rheostat and switch.	S-1274	Resistor—2600 ohms—Carbon type—1/2 watt.
3437	Knob—Noise suppressor rheostat knob.	6356	Capacitor—.005 mfd. and .1 mfd. used on resistor board.

Model R-28 A.C. Receiver

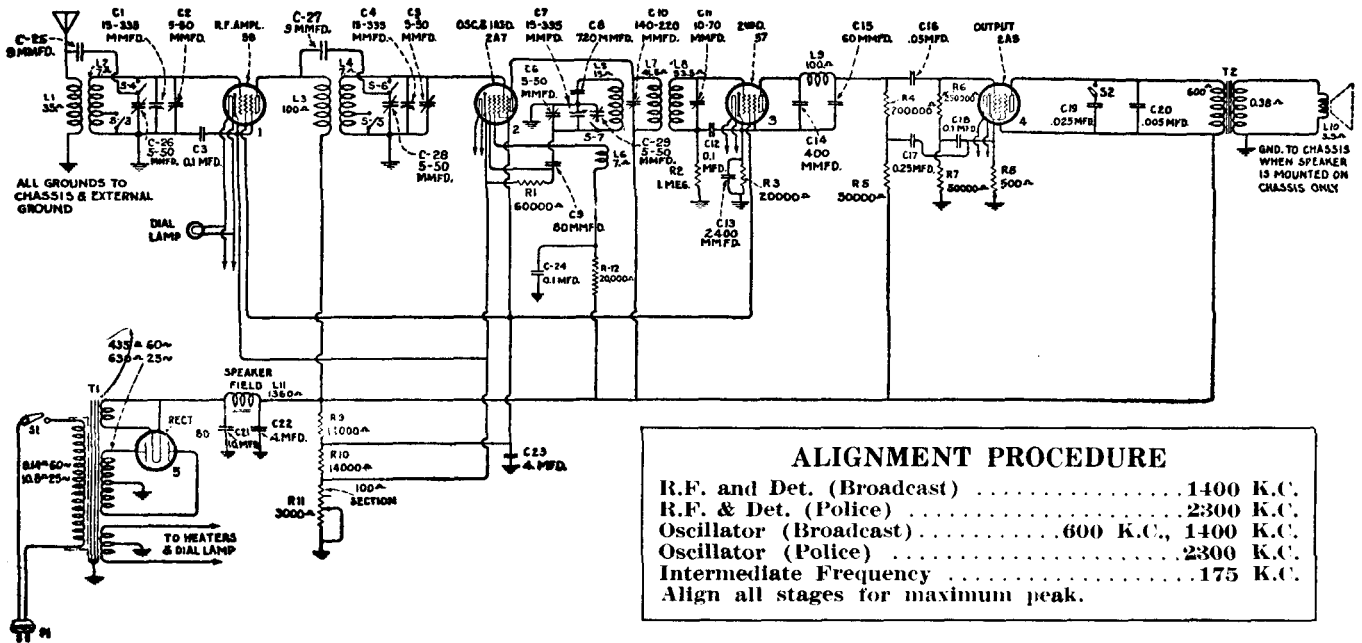


REPLACEMENT PARTS FOR MODEL VICTOR R-28

Insist on genuine factory tested parts, which are readily identified and may be purchased from authorized dealers.

STOCK NO.	DESCRIPTION	STOCK NO.	DESCRIPTION
RECEIVER ASSEMBLIES			
2747	Contact cap.		
3050	Resistor-14,000 ohms-Carbon type-3 watts(R9).	6303	Resistor-20,000 ohms-Carbon type-1/2 watt (R3,R12).
3456	Capacitor-0.05 mfd. (C16).	6306	Resistor-14,000 ohms-Carbon type-1 watt (R10).
3459	Capacitor-80 mmfd. (C9).	S-1309	Knob-Tone Switch knob.
3472	Capacitor-2400 mmfd. (Rolled type (C13).	6464	Transformer-I.F. transformer.
3514	Resistor-250,000 ohms-Carbon type-1/2 watt (R6).	6465	Volume control-Complete with mounting nut (R11).
S-1308	Capacitor-0.1 mfd. (C24).	6466	Switch-Tone control switch (S2).
3572	Socket-Radiotron 7 contact socket.	6470	Coil-Antenna coil.
3573	Socket-Radiotron 4 contact socket.	6471	Coil-Oscillator coil assembly.
3574	Coil-Choke coil. (L9).	6472	Coil-R.F. coil assembly.
3575	Socket-Dial lamp socket and bracket.	6473	Scale-Dial scale assembly.
3584	Ring-R.F. or oscillator coil retaining ring.	S-1151	Socket-Radiotron 6 contact socket.
3590	Escutcheon-Station selector escutcheon.	S-1140	Shield-Radiotron tube shield.
3591	Escutcheon-Name plate escutcheon.	7588	Condenser-3 gang variable tuning condenser.
3592	Knob-Station selector or volume control knob.	S-1362	Capacitor-Filter capacitor-Two 4.0 mfd. in container (C22,C23).
3593	Screw-Chassis mounting screw.	7590	Capacitor-10 mfd. (C21).
3594	Resistor-50,000 ohms-Carbon type-1/2 watt (R5,R7).	S-1352	Transformer-Power transformer-105-120 volts-50-60 cycles (T1).
3596	Capacitor-60 mmfd. (C15).	9002	Transformer-Power transformer-105-125 volts-25-50 cycles (T1).
3597	Capacitor-0.25 mfd.(C17).	REPRODUCER ASSEMBLIES	
3598	Capacitor-0.1 mfd.(C18).	6467	Transformer-Output transformer.
3602	Resistor-60,000 ohms-Carbon type-1/4 watt(R1).	8987	Cone-Reproducer cone.
3632	Resistor-500 ohms-Carbon type-1 watt (R8).	8988	Coil assembly-Comprising field coil, magnet and cone support.
3604	Capacitor-400 mmfd. (C14).		
S-1311	Capacitor-720 mmfd. (C8).		
3606	Capacitor-Comprising one 0.005 mfd. and one 0.25 mfd. capacitors.(C19,C20).		
S-1280	Resistor-200,000 ohms-Carbon type-1/2 watt (R4).		

Models R-29 & R-31 A.C. Receivers



ALIGNMENT PROCEDURE

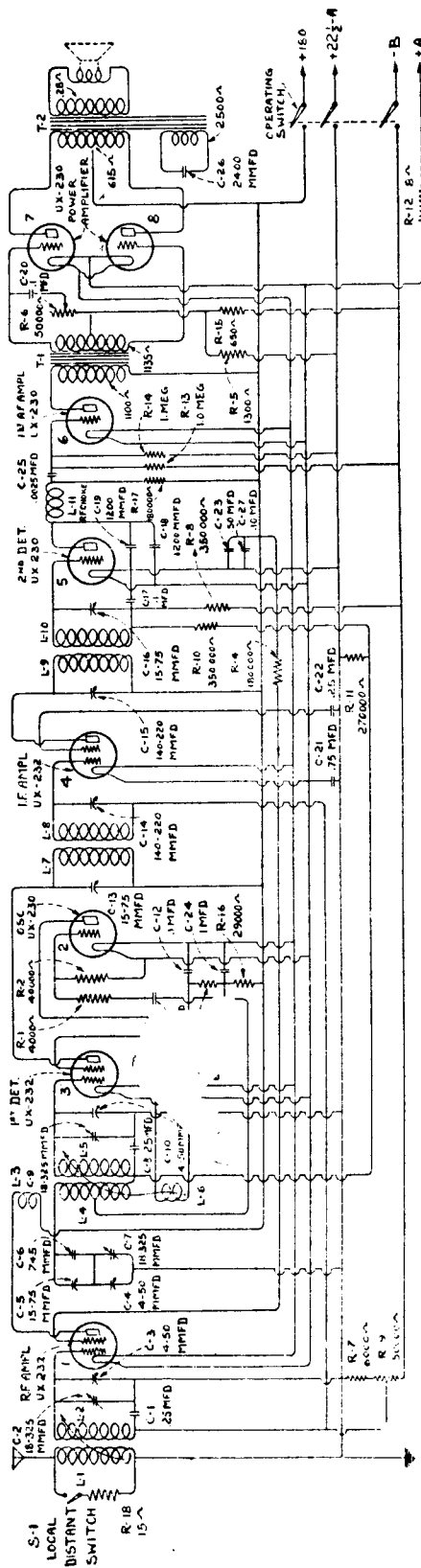
R.F. and Det. (Broadcast) 1400 K.C.
 R.F. & Det. (Police) 2300 K.C.
 Oscillator (Broadcast) 600 K.C., 1400 K.C.
 Oscillator (Police) 2300 K.C.
 Intermediate Frequency 175 K.C.
 Align all stages for maximum peak.

REPLACEMENT PARTS — VICTOR R-29 & R-31

Insist on genuine factory tested parts, which are readily identified and may be purchased from authorized dealers.

STOCK NO.	DESCRIPTION	STOCK NO.	DESCRIPTION
RECEIVER ASSEMBLIES			
S-1140	Shield-Radiotron Tube Shield.	6464	Transformer-Intermediate frequency transformer.
S-1151	Socket-6 Contact Radiotron Tube Socket.	6471	Coil-Oscillator Coil.
S-1280	Resistor-200,000 ohm-Carbon Type- $\frac{1}{2}$ watt(R4).	S-1362	Capacitor-Double 4. mfd.-electrolytic capacitor (C22,C23).
S-1308	Capacitor-.1 mfd. Capacitor(C24).	7590	Capacitor-10 mfd.-electrolytic capacitor(C21).
S-1309	Knob-Range Switch knob.	9022	Transformer-Power Transformer 105-125V,25 Cycles (T1).
S-1338	Socket-4 Contact Tube socket and shell assembly.	R-29 ONLY	
S-1339	Coil-Antenna Coil-Tapped.	3575	Socket-Dial lamp socket & bracket.
S-1341	Coil-R.F.Coil-Tapped.	6465	Control-Volume control.(R11).
S-1343	Scale-Tuning dial and scale assembly.	6466	Switch-Tone control switch.(S2).
S-1351	Capacitor-9 mfd.Capacitor(C25,C27).	6467	Transformer-Output transformer (T2).
S-1352	Transformer-Power Transformer 105-125V,60 Cycle (T1).	7588	Capacitor or variable tuning capacitor.
2269	Capacitor-720 mfd. capacitor (C8).	S-1344	Switch-Range change switch.
2747	Cap-Contact Cap.	R-31 ONLY	
3050	Resistor-14,000 ohm-Carbon type-3 Watt(R9).	3624	Socket-dial lamp socket & bracket.
3076	Resistor-1. megohm-Carbon type-1/2 watt(R2).	3625	Scale-Dial & scale assembly-volume control.
3456	Capacitor-.05 mfd.capacitor (C16).	7597	Capacitor-Variable tuning capacitor.
3459	Capacitor-80 mfd.capacitor(C9).	S-1346	Transformer-Output transformer(T2).
3472	Capacitor-.0024 mfd.capacitor(C13).	S-1347	Switch-Range change switch.
3514	Resistor-250,000 ohms-Carbon type- $\frac{1}{2}$ watt(R6).	S-1348	Switch-Tone control switch (S2).
3572	Socket-7 Contact-Radiotron Tube socket.	S-1349	Control-Volume control (R11).
3574	Coil-Choke Coil Assembly (L9).	R-29 SPEAKER	
3584	Ring-Coil retaining ring.	8987	Cone-Reproducer cone.
3592	Knob-Tuning Control,Volume Control and Tone Control knob.	8988	Coil assembly-cone housing,magnet and field coil assembly.
3594	Resistor-50,000 ohm-Carbon type-1/2 watt (R5,R7).	S-1345	Board-Terminal board.
3596	Capacitor-60 mfd.-Capacitor(C17).	R-31 SPEAKER	
3597	Capacitor-.25 mfd.-Capacitor(C17).	8935	Cone-Reproducer cone.
3598	Capacitor-.1 mfd.-Capacitor(C3,C12,C18).	S-1264	Board-Terminal board.
3602	Resistor-60,000 ohm-Carbon type- $\frac{1}{2}$ watt(R1).	S-1350	Coil assembly-cone housing magnet and field coil assembly.
3604	Capacitor-400 mfd.-Capacitor (C14).		
3606	Capacitor-One .005 mfd.and One .25 mfd.in single unit (C19,C20).		
3632	Resistor-500 ohm-Carbon Type-1 Watt (R8).		
6303	Resistor-20,000 ohm-Carbon type- $\frac{1}{2}$ Watt(R3,R12).		
6306	Resistor-14,000 ohm-Carbon type-1 watt(R10).		

Model R-30 Battery Receiver



ALIGNMENT PROCEDURE

R.F. & Det. Stages 1400 K.C.
 Oscillator Stage 600 K.C., 1400 K.C.
 Intermediate Frequency 475 K.C.

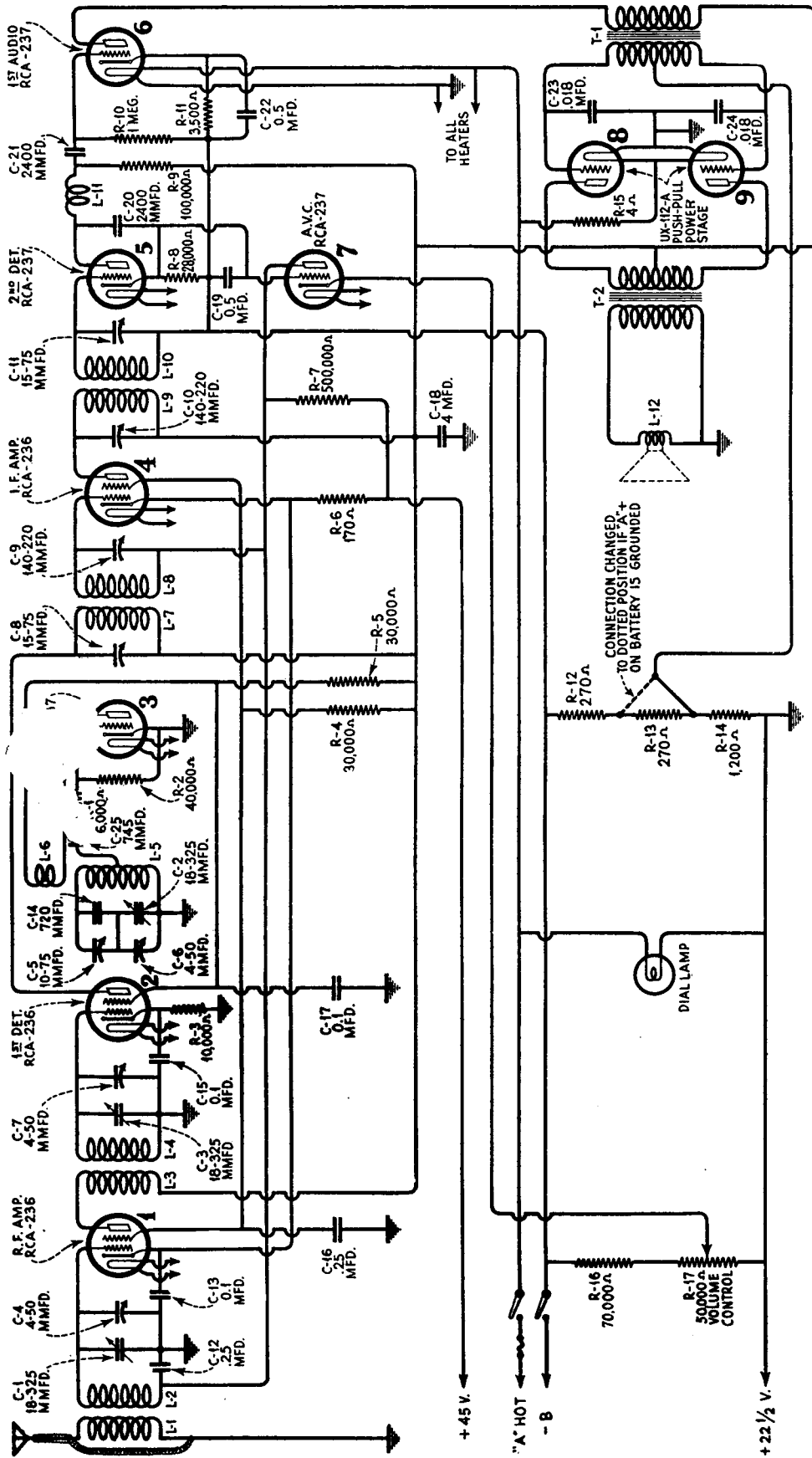
Align all stages for maximum peak.

REPLACEMENT PARTS — MODEL R-30

Insist on genuine factory tested parts, which are readily identified and may be purchased from authorized dealers.

Stock No.	DESCRIPTION	Stock No.	DESCRIPTION
	RECEIVER ASSEMBLY		
3460	Capacitor—1200 mmfd.....	3043	Resistor—0.8 Ohms—Wire wound.....
3036	Resistor—29,000 Ohms—Carbon type.....	3044	Resistor—4000 Ohms—Carbon type.....
3037	Resistor—650 Ohms—Carbon type.....	3045	Resistor—40,000 Ohms—Carbon type.....
2563	Resistor—6000 Ohms—Carbon type.....	3056	Shield—Radiotron shield—.....
2747	Cap—Radiotron grid contact cap—.....	3086	Switch—Local distant switch.....
2749	Capacitor—2400 mmfd.—Mica type.....	3087	Switch—Operating switch.....
2957	Capacitor—10 mfd.—Electrolytic type....	3088	Knob—Operating switch or local distant switch knob—.....
2968	Socket—UX Radiotron socket complete with insulating shield—2 hole mounting—3 used.....	7062	Capacitor—Adjustable oscillator trimming capacitor.....
2976	Knob—Station selector, tone control or volume control knob.....	7241	Capacitor—3 Gang tuning capacitor complete with mounting screws and washers..
2994	Coil—2nd detector R. F. coil complete with rivet.....	7260	Tone or Volume Control—Complete less knob.....
2998	Coil—Detector and oscillator coil—Complete with mounting washers and nuts...	7261	Coil—R. F. Coil complete with mounting washer and nut.....
2999	Shaft—Dial drive shaft—Complete with mounting screws and lock washers.....	7262	Transformer—1st Intermediate transformer—Complete with shield and mounting screws.....
3000	Scale—Dial drum and scale complete with set screws.....	7263	Transformer — 2nd Intermediate transformer—Complete with shield and mounting screws.....
3003	Cushion—Sponge rubber cushion—.....	7264	Capacitor Pack—R. F. by-pass capacitor in metal container.....
3032	Socket—Radiotron socket complete with insulating shield—three hole mounting.....	7265	Transformer—Interstage and output transformers in metal container.....
3033	Resistor—100 Ohm—Carbon type.....		REPRODUCER ASSEMBLY
3034	Resistor—180,000 Ohms—Carbon type.....	8559	Ring—Cone retaining ring.....
3035	Resistor—1300 Ohms—Carbon type.....	8601	Cone—Reproducer cone complete with voice coil.....
3038	Resistor—350,000 Ohms—Carbon type.....		CABINET ASSEMBLY
3039	Resistor—270,000 Ohms—Carbon type.....		
3040	Capacitor—.0025 mfd.—Paper type.....	2946	Escutcheon—Station selector escutcheon complete with mounting screws.....
3042	Capacitor—0.1 mfd.—Paper type.....		

Model M-30 Automobile Receiver



ALIGNMENT PROCEDURE

R.F. & Det. Stages 1400 K.C.
 Oscillator Stage 600 K.C., 1400 K.C.
 Intermediate Frequency 175 K.C.
 Align all stages for maximum peak.

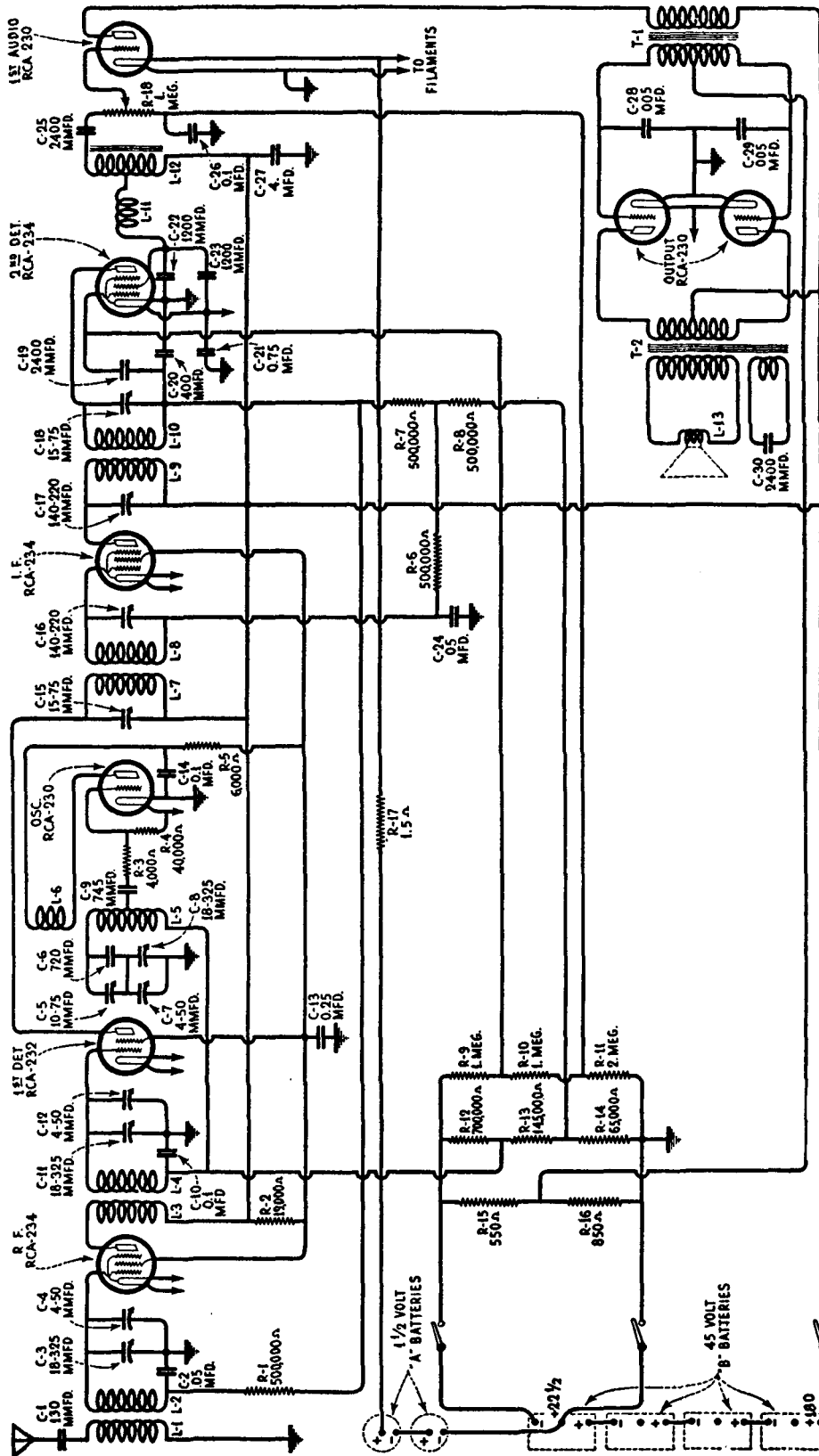
REPLACEMENT PARTS—MODEL M-30

Stock No.	DESCRIPTION	Stock No.	DESCRIPTION
	RECEIVER ASSEMBLY		RECEIVER ASSEMBLY—Continued
2240	Resistor—30,000 ohms—Carbon type—1 watt.....	6151	Suppressor—Spark plug type suppressor.....
2546	Resistor—1 megohm—Carbon type—1 watt—	6152	Suppressor—Distributor type suppressor.....
2736	Resistor—170 ohms—Carbon type—1 watt—	6175	Suppressor—Distributor splice-in suppressor.....
2741	Idler—Tuning capacitor drive idler—	7062	Capacitor — Adjustable capacitor — 15-70 mmfd.....
2742	Spring—Tuning capacitor drive tension spring—	7065	Micarta Screw Driver—Used for I. F. and R. F. adjustment.....
2747	Cap—Grid contactor cap—	7299	Capacitor—745 mmfd.....
2749	Capacitor—2400 mmfd.....	7421	Capacitor pack—Comprising two 0.5 mfd., two 0.018 mfd., three 0.1 mfd., two 0.25 mfd. and one 4.0 mfd. capacitors in metal container.....
2966	Resistor—28,000 ohms—Carbon type—1 watt—	7422	Transformer—1st intermediate transformer.....
2994	Coil—2nd detector R.F. choke coil....	7423	Transformer—2nd intermediate transformer.....
3048	Resistor—500,000 ohms—Carbon type—½ watt—	7424	Transformer—Output transformer....
3078	Resistor—10,000 ohms—Carbon type—watt—	7425	Transformer—Interstage transformer..
3118	Resistor—100,000 ohms—Carbon type—¼ watt—	7426	Board—Resistor board complete, less resistors, coil and capacitor.....
3288	Socket—UY Radiotron socket—Complete with insulation strip.....	7427	Cover plate—Intermediate adjustment cover plate—Located on front receiver shield—
6133	Socket—UX Radiotron socket—Complete with insulation strip.....	7428	Cover plate—Tuning capacitor trimmer adjustment cover plate—Located on top receiver shield—
6134	Resistor—1200 ohms—Carbon type—1 watt—	7429	Capacitor—0.625 mfd.—In metal casing with mounting bracket.....
6135	Resistor—270 ohms—Carbon type—¼ watt—	8821	Capacitor assembly—Tuning capacitor assembly—Comprising 3 variable capacitors, drive bracket, drive cord, drive shaft and drum—Assembled.....
6136	Resistor—3500 ohms—Carbon type—1 watt—	8822	Flexible drive shaft—Length 30"—From control box to receiver.....
6137	Coil—R.F. coil.....	8823	Shield—Back cover shield for receiver chassis.....
6138	Coil—1st detector and oscillator coil..	8824	Shield—Front cover shield for receiver chassis.....
6139	Cord—Tuning condenser drive cord—	8825	Shield—Top cover shield for receiver chassis.....
6140	Plug—6 prong male plug and plug receptacle.....	8826	Bracket—Receiver chassis mounting bracket complete with two rubber bumpers.....
6141	Receptacle—Two prong receptacle for speaker cord plug—	8827	Cable—Main cable less plug—From control box to receiver chassis and battery box.....
6142	Resistor—6,000 ohms—Carbon type—½ watt—	8833	Flexible drive shaft—Length 42"—From control box to receiver.....
6143	Resistor—40,000 ohms—Carbon type—¼ watt—	8834	Flexible drive shaft—Length 54"—From control box to receiver.....
6144	Resistor—4 ohms—Flexible wire type	8835	Flexible drive shaft—Length 66"—From control box to receiver.....
6145	Cover Plate—Adjustable capacitor adjustment cover plate—Located on back receiver shield—	8836	Flexible drive shaft—Length 78"—From control box to receiver.....
6146	Screw—Self tapping hex head screw—For mounting cover plates to shield—		
6147	Nut—Wing nut for receiver shield—		
6148	Fuse—10 amperes—		
6149	Bumper—Rubber bumpers—Located on receiver mounting bracket—		
6150	Plug—Six prong female plug—Located on main cable.....		

REPLACEMENT PARTS—MODEL M-30 (Continued)

Stock No.	DESCRIPTION	Stock No.	DESCRIPTION
	CONTROL BOX ASSEMBLY		LOUDSPEAKER ASSEMBLY
3287	Label—Metal trade mark label—		—Continued
6153	Clamp—For clamping control box to steering wheel shaft—	8829	Cone—Speaker paper cone.
6154	Screw — Clamp mounting screw —	8830	Housing—Speaker housing complete— Comprising front screen, back dust screen, case and mounting bracket.
6155	Shaft—Tuning dial shaft with gear and drive washer—	8831	Bracket assembly—Speaker housing bracket — Comprising bracket, 2 mounting bolts, 4 washers and 4 nuts.
6156	Switch—Lock switch—Complete with mounting nut and washer.	8832	Cable—Speaker shielded cable less plug.
6157	Volume control—Volume control complete with mounting nut.	8838	Speaker complete—Comprising Speaker, housing case and cord—Assembled.
6158	Nut—Knurled nut for lock switch—		ANTENNA ASSEMBLY
6159	Resistor—70,000 ohms—Carbon type — $\frac{1}{2}$ watt—	6129	Staple—Insulated staple—
6160	Dial scale—	6130	Screw and Nut—U bracket set screw — $\frac{3}{8}$ —16 x $\frac{1}{4}$ —Complete with lock nut—
6161	Knob—Tuning control knob—	6131	Insulator—Insulator bushing for No. 7420—
6162	Spring—Knob tension spring—	7419	Bracket—U bracket for mounting antenna plates—
6163	Knob—Volume control knob—	7420	Stud—Antenna plate stud— $\frac{3}{8}$ —16 x 8"—Complete with 5 mounting nuts—
6164	Key—Lock switch key—	8819	Plate—Single antenna plate.
6165	Lamp—Dial scale lamp—		BATTERY BOX ASSEMBLY
6169	Felt—Felt strip for steering column—	2968	Receptacle—Four prong receptacle complete.
7430	Control box complete—Less flexible shaft and cable.	6122	Clamp—Cable clamp—
7431	Cover assembly—Comprising top and bottom covers.	6123	Plug—Four prong male plug.
7432	Bracket assembly—Comprising brackets, studs, stop washer and lamp socket—Located inside of control box.	6124	Cap—Plug cover rubber cap for No. 6123—
	LOUDSPEAKER ASSEMBLY	6125	Fuse— $\frac{1}{4}$ amperes—
2975	Rivet—Cone retaining ring mounting rivet—	6126	Clip—Fuse clip—
6166	Board—Terminal board with two terminals—Located on cone bracket	6127	Bolt—Carriage bolt for mounting top of box to car— $\frac{5}{16}$ —18 x $\frac{1}{4}$ "—Complete with lock nut—
6167	Plug—Two prong male plug—For cable No. 8832—	7418	Bolt—Hanger bolt $\frac{5}{16}$ —18 x $9\frac{3}{4}$ "—Complete with two lock nuts—
6170	Rivet—For mounting speaker and front grille into housing—	8817	Box body assembly— Comprising bottom plate, 2 side plates, 2 bottom strips and receptacle—Assembled.
6171	Rivet—For mounting No. 8831 bracket to housing—	8818	Box cover assembly—Comprising cover plate, 2 strips and 2 rubber strips—Assembled.
7433	Screen—Speaker housing case wire screen	8820	Plate and strip assembly—Cardboard plate and strip assembly comprising six strips and one plate —
7434	Screen—Dust screen for back of speaker housing case—		
8702	Ring—Cone retaining ring.		
8828	Magnet assembly—Comprising cone bracket, core and magnet.		

Model P-31 Portable Battery Receiver



Schematic Circuit

ALIGNMENT PROCEDURE	
R.F. & Det. Stages	1400 K.C.
Oscillator Stage	600 K.C., 1400 K.C.
Intermediate Frequency	175 K.C.
Align all stages for maximum peak.	

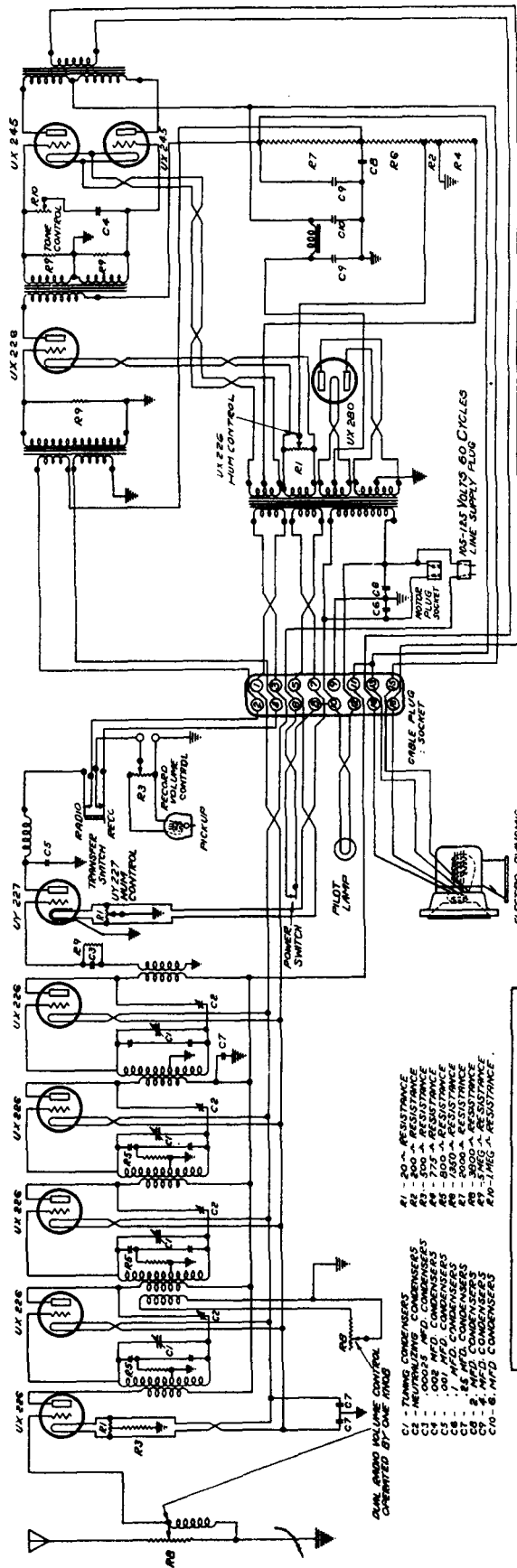
REPLACEMENT PARTS FOR P-31

Insist on genuine factory tested parts, which are readily identified and may be purchased from authorized dealers.

STOCK NO.	DESCRIPTION	STOCK NO.	DESCRIPTION
RECEIVER ASSEMBLIES		LOUDSPEAKER ASSEMBLY	
2269	Capacitor-720 mmfd.	2749	Capacitor-2400 mmfd.
2740	Cord-Tuning condenser drive cord.	2975	Rivet-Cone retaining ring mounting rivet.
S-1176	Idler-tuning condenser drive cord idler.	6166	Board-Terminal board with two terminals-located on cone bracket.
S-1177	Spring-Tuning condenser drive cord tension spring.	6253	Board-Speaker terminal board-5 terminals-complete with mounting eyelets.
2748	Binding Post-Ground-antenna twin binding post.	6254	Transformer-Output transformer.
2749	Capacitor-2400 mmfd.	6255	Screw assembly-Speaker mounting screw assembly-Comprising 4 screws, 4 eyelets, 4 cushions, 4 bushings, 8 nuts and 8 lock washers, per set.
2994	Coil-Detector choke coil complete with mounting rivet.	S-1232	Magnet assembly-Comprising cone bracket, core and magnet.
3033	Resistor-1 megohm-carbon type - 1/4 watt	S-1233	Cone-Speaker paper cone.
3079	Resistor-40,000 ohms-carbon type-1/2 watt-	8896	Ring-Speaker cone retaining ring.
3085	Capacitor-400 mmfd.		
S-1180	Socket-Four contact Radiotron socket complete with insulator-8 used.		
S-1192	Coil-1st Detector and oscillator coil complete with mounting brackets.		
S-1067	Resistor-500,000 ohms-carbon type-1/4 watt.		
6239	Volume Control-Volume control complete with mounting nut.		
6240	Resistor-19,000 ohms-Carbon type - 1/2 watt.		
6241	Resistor-140,000 ohms-Carbon type - 1/4 watt.		
6242	Resistor-2 megohms-carbon type-1/4 watt.		
6243	Resistor-6000 ohms-carbon type-1/4 watt.		
6244	Resistor-700,000 ohms-carbon type-1/4 watt.		
6245	Resistor-65,000 ohms-carbon type-1/4 watt.		
6246	Resistor-550 ohms-carbon type-1/4 watt.		
6247	Resistor-850 ohms-carbon type-1/4 watt.		
6248	Capacitor-130 mmfd.		
6249	Resistor-1.5 ohms-Flexible type.		
6250	Resistor-4000 ohms-carbon type-1/2 watt.		
6251	Capacitor-1200 mmfd.		
6252	Scale-Dial scale.		
6256	Switch-On and off switch.		
6258	Knob-On and off switch knob.		
6259	Screw-Receiver chassis mounting bracket self-tapping screw-		
6260	Brackets-Receiver chassis mounting brackets-N.H. and L.H.		
6261	Knob-Tuning control knob and screw.		
6262	Screw assembly-Receiver mounting screw assembly-Comprising 4 screws, 4 eyelets, 4 lockwashers, 2 flat washers and 12 nuts.		
7062	Capacitor-Adjustable capacitor-15-70 mmfd.		
7299	Capacitor-745 mmfd.		
S-1206	Transformer-Interstage transformer.		
8889	Reactor-Coupling reactor.		
8890	Capacitor pack-Comprising two .008 mfd. one .75 mfd., one 4 mfd. three .1 mfd. one .25 mfd. and two .05 mfd. Capacitors in metal container.		
8891	Transformer-1st Intermediate Transformer.		
8892	Transformer-2nd Intermediate Transformer.		
8893	Board-Resistor board complete less resistors coil and capacitors.		
8894	Coil-R.F. Coil-Complete with mounting bracket.		
8895	Capacitor-3 gang variable tuning capacitor Comprising 3 variable capacitors, drive drum, drive cord, drive cord spring, idlers and drive cord guides-Assembled.		
8898	Cable-battery cable.		
			CABINET ASSEMBLY
		K-89	Grille and grille cloth-receiver side.
		K-90	Board-Speaker baffle board and grille cloth.
		K-91	Panel-Control panel less equipment.
		K-92	Escutcheon-Tuning dial escutcheon complete with mounting screws.
		6257	Escutcheon-On and off switch complete with mounting screws.
		6263	Knob and screw-located on bottom of control panel.
		6264	Knob-For locking control panel in cabinet.
		6265	Lock-lid lock-Comprising lock, lock keeper, lock spacer, and six mounting rivets-KEY TYPE.
		6266	Clamp-Battery clamp.
		6267	Lock-Lid lock-Comprising lock, lock keeper, lock spacer, key and six mounting rivets. KEY TYPE.
		6268	Key-Cabinet lock key.
		6269	Bracket-Corner bracket with mounting rivets-
		6270	Hinge-Cabinet bottom swivel hinge with mounting rivets-Case side.
		6271	Hinge-Cabinet bottom swivel hinge with mounting rivets - Lid side.
		9411	Cabinet-Cabinet complete less equipment.
		10123	Handle-Carrying handle with 2 brackets.
		8897	Coverings-Cabinet coverings-Comprising one bottom outside cover, one top outside cover, one top inside cover and eight corner bindings -

Models R-32, R-34, RE-45, RE-46,

A.C. Receivers

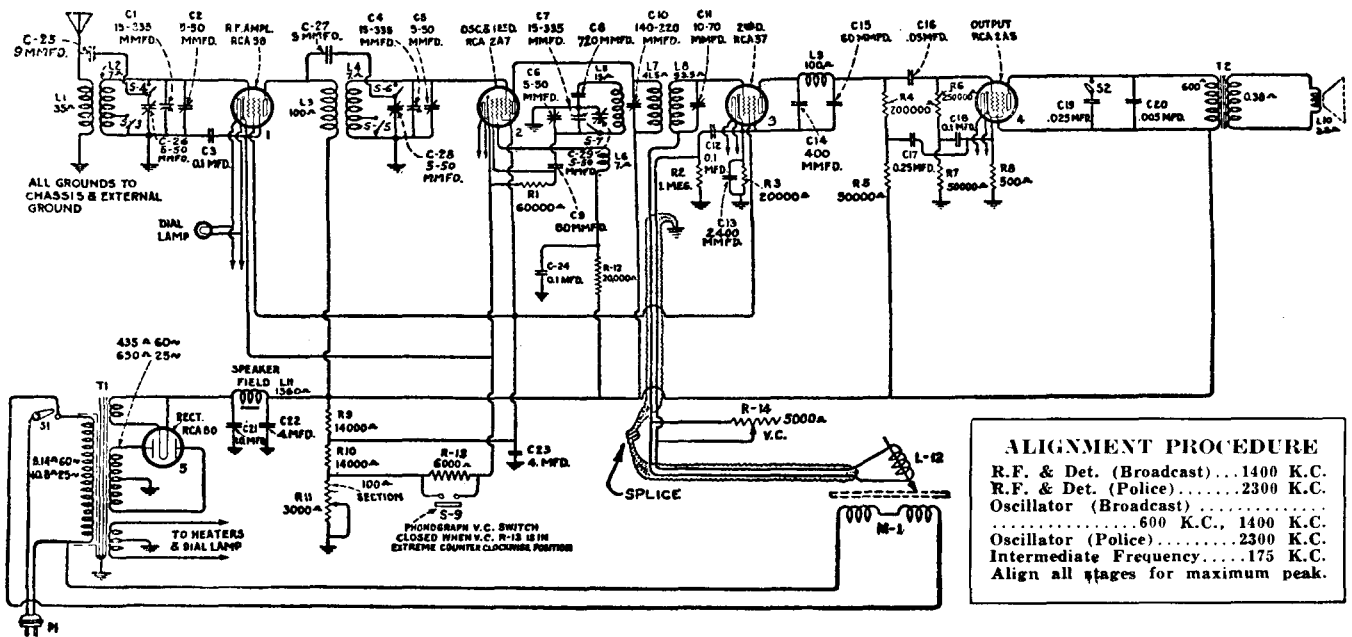


- R1 - 20 Ω RESISTANCE
- R2 - 100 Ω RESISTANCE
- R3 - 500 Ω RESISTANCE
- R4 - 775 Ω RESISTANCE
- R5 - 100 Ω RESISTANCE
- R6 - 250 Ω RESISTANCE
- R7 - 5000 Ω RESISTANCE
- R8 - 10000 Ω RESISTANCE
- R9 - 500 Ω RESISTANCE
- R10 - 1 MEG Ω RESISTANCE

- C1 - TUNING CONDENSERS
- C2 - 1000 PFD. CONDENSERS
- C3 - 1000 PFD. CONDENSERS
- C4 - .002 MFD. CONDENSERS
- C5 - .001 MFD. CONDENSERS
- C6 - .001 MFD. CONDENSERS
- C7 - .001 MFD. CONDENSERS
- C8 - .001 MFD. CONDENSERS
- C9 - .001 MFD. CONDENSERS
- C10 - .001 MFD. CONDENSERS

ALIGNMENT PROCEDURE
 R.F. stages to be adjusted for max. peak aligning frequencies.
 (1) 600 K.C. (2) 800 K.C. (3) 1000 K.C. (4) 1250 K.C. (5) 1500 K.C.

Model RE-33 RCA Victrola



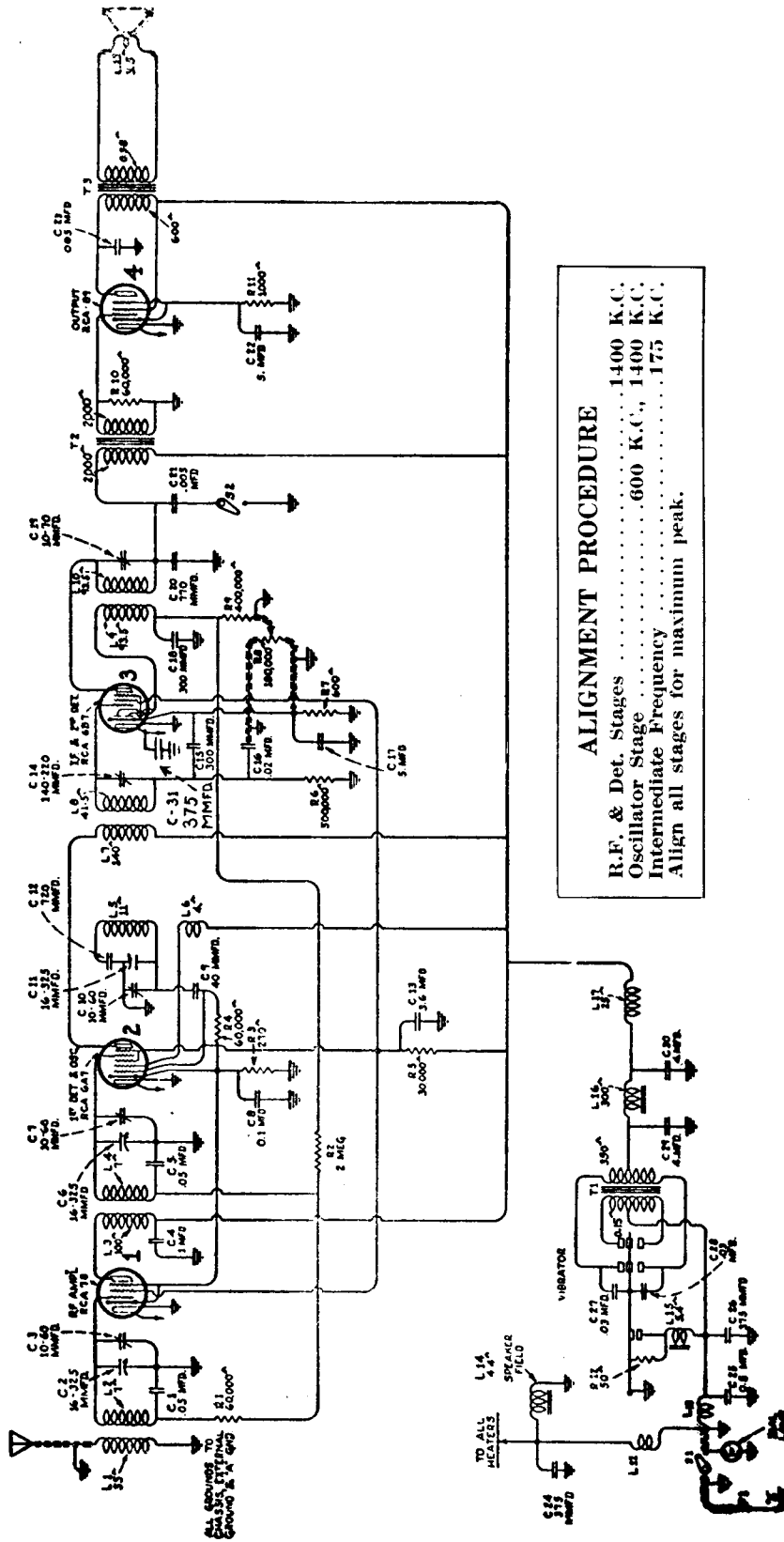
ALIGNMENT PROCEDURE
 R.F. & Det. (Broadcast)...1400 K.C.
 R.F. & Det. (Police).....2300 K.C.
 Oscillator (Broadcast).....
600 K.C., 1400 K.C.
 Oscillator (Police).....2300 K.C.
 Intermediate Frequency.....175 K.C.
 Align all stages for maximum peak.

REPLACEMENT PARTS FOR MODEL RE-33

Insist on genuine factory tested parts, which are readily identified and may be purchased from authorized dealers.

STOCK NO.	DESCRIPTION	STOCK NO.	DESCRIPTION
RECEIVER ASSEMBLIES			
S-1140	Shield-Radiotron Tube Shield.	6471	Coil-Oscillator Coil.
S-1151	Socket-6 Contact Radiotron Tube Socket.	S-1362	Capacitor-Double 4. mfd.-electrolytic capacitor (C22,C23).
S-1280	Resistor-200,000 ohm-Carbon Type-1/2 watt(R4).	7590	Capacitor-10 mfd.-electrolytic capacitor (C21).
S-1308	Capacitor-1 mfd.Capacitor(C24).	9002	Transformer-Power Transformer 105-125V 25 Cycles (T1).
S-1309	Knob-Range Switch knob.	3575	Socket-dial lamp socket & bracket.
S-1338	Socket-4 Contact Tube socket and shell assembly.	6465	Control-Volume control.(R11).
S-1339	Coil-Antenna Coil-Tapped.	6466	Switch-Tone control switch. (S2).
S-1341	Coil-R.F.Coil-Tapped.	6467	Transformer-Output transformer.
S-1343	Scale-Tuning dial and scale assembly.	7588	Capacitor-Variable tuning capacitor.
S-1351	Capacitor-9 mmfd.Capacitor(C25,C27).	S-1344	Switch-Range change switch.
S-1352	Transformer-Power Transformer 105-125 V 60 Cycle (T1).	8987	Cone-Reproducer cone.
2269	Capacitor-720 mmfd.capacitor(C8).	8988	Coil assembly-cone housing,magnet and field coil assembly.
2747	Cap-Contact Cap.	S-1345	Board-Terminal Board.
3050	Resistor 14,000 ohm-Carbon Type-3 Watt.(R9).	PICKUP AND ARM ASSEMBLIES	
3076	Resistor-1. Megohm-Carbon Type-1/2 Watt(R2).	3810	Coil-Pickup coil.
3456	Capacitor-.05 mfd. capacitor(C16).	3811	Screw-Needle holding screw.
3459	Capacitor-80 mmfd. capacitor (C9).	3812	Armature.
3472	Capacitor-.0024 mfd.capacitor(C13).	6592	Pickup and arm assembly complete.
3514	Resistor-250,000 ohms-Carbon Type-1/2 Watt(R6).	TURNTABLE AND MOTOR ASSEMBLIES	
3572	Socket-7 Contact-Radiotron tube socket.	S-1309	Knob-Phonograph volume control knob.
S-1373	Coil-Choke Coil assembly (L9).	S-1374	Lamination-Stator laminations Assembled-25 Cycle.
3584	Ring-Coil retaining ring-	S-1375	Lamination-Rotor lamination Assembled-25 Cycle.
3592	Knob-Tuning Control,Volume Control and Tone Control knob.	S-1376	Turntable Complete-with spindle for 25 cycle.
3594	Resistor-50,000 ohm-Carbon type-1/2 Watt (R5,R7).	S-1377	Motor Complete-105-125 Volts-25 Cycle.
3596	Capacitor-60 mmfd.-Capacitor (C15).	S-1378	Coil-stator Coil-25 Cycle.
3597	Capacitor-.25 mfd.-Capacitor (C18).	S-1379	Control-Phonograph volume control.
3598	Capacitor-.1 mfd.-Capacitor (C3,C12,C18).	3808	Board-motor terminal board.
3602	Resistor-60,000 ohm-Carbon type-1/4 watt(R1).	3809	Spring.
3604	Capacitor-400 mmfd.-Capacitor(C14).	3813	Motor Suspension Assembly-Comprising:3 Screws, 3 Metal Bushings,6 Rubber Bushings,3 Flat Washers,3 Lock Washers and 3 Nuts.
3606	Capacitor-One .005 mfd.and One .25 mfd.in single unit (C19,C20).	7651	Coil-Stator Coil-60 Cycle.
3632	Resistor-500 ohm-Carbon Type-1 Watt(R8).	7653	Lamination-Stator laminations Assembled-60 Cycle
6303	Resistor-20,000 ohm-Carbon Type-1/2 Watt(R3, R12).	7655	Lamination-Rotor lamination assembly-60 Cycle.
6306	Resistor-14,000 ohm-Carbon Type-1 Watt(R10).	7657	Base-motor Base and Bearing Assembly.
6464	Transformer-Intermediate Frequency Transformer.	9038	Motor Complete-105-125 Volts-60 Cycle.
		9040	Turntable Complete-With spindle for 60 Cycle.
		10194	Ball-Steel Ball Bearing.

Model M-34 Automobile Receiver



ALIGNMENT PROCEDURE

R.F. & Det. Stages 1400 K.C.
 Oscillator Stage 600 K.C., 1400 K.C.
 Intermediate Frequency 175 K.C.

Align all stages for maximum peak.

REPLACEMENT PARTS — MODEL M-34

Insist on genuine factory tested parts, which are readily identified and may be purchased from authorized dealers.

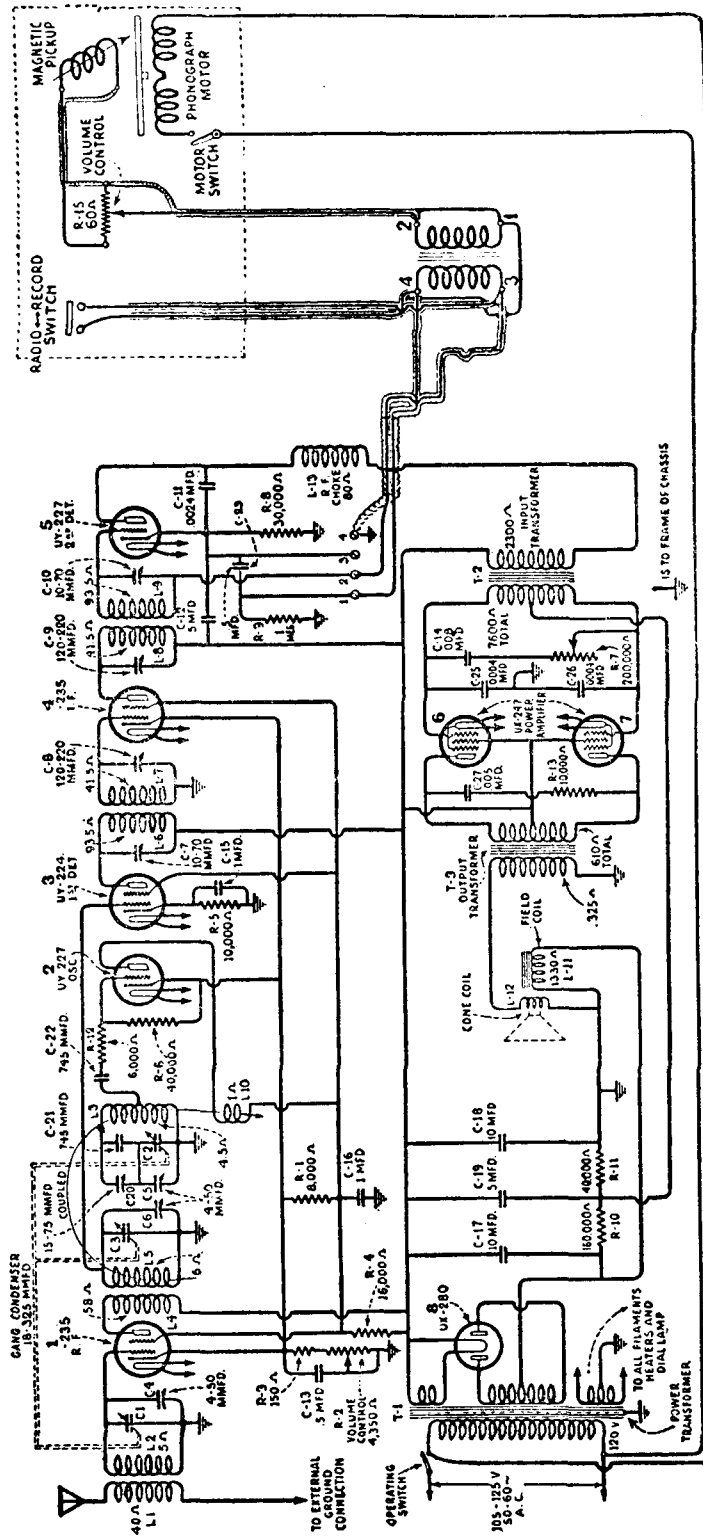
Key No.	Stock No.	DESCRIPTION	Key No.	Stock No.	DESCRIPTION
RECEIVER ASSEMBLIES				3690	Strap and bracket assembly—Comprising one bracket, two screws, one lock washer and one strap.....
R-5	2240	Resistor—30,000 ohms—Carbon type—1 watt.		S-1414	Knob—Station selector knob.....
R-11	2816	Resistor—1,000 ohms—Carbon type—1 watt.		6496	Shaft—Flexible drive shaft complete with connectors—Approximately 24 ⁷ / ₈ " long.....
R-7	3218	Resistor—600 ohms—Carbon type— ¹ / ₄ watt.		6497	Shaft—Flexible drive shaft complete with connectors—Standard length—Approximately 33 ⁷ / ₈ " long.....
	3572	Socket—Radiotron 7 contact socket.....		6499	Volume control—Combination volume control and switch.....
R-1	3602	Resistor—60,000 ohms—Carbon type— ¹ / ₄ watt.	R-8	6500	Nut—Volume control and switch lock nut.....
R-4				6501	Scale—Dial scale.....
R-10				6531	Shaft—Flexible drive shaft complete with connectors—Approximately 12 ⁷ / ₈ " long.....
C-15				6532	Shaft—Flexible drive shaft—Complete with connectors—Approximately 18 ⁷ / ₈ " long.....
C-23				7602	Box—Control box complete.....
C-21	3617	Capacitor—0.005 mfd.....		7603	Cover—Control box cover.....
C-16	3639	Capacitor—0.02 mfd.....		S-1225	Lamp—Pilot lamp.....
R-9	3619	Resistor—400,000 ohms—Carbon type— ¹ / ₄ watt		MISCELLANEOUS PARTS	
	3621	Coil—Choke coil—Located on resistor board...		F-1	3646 Fuse—20 amperes—.....
	3636	Transformer—1st intermediate frequency transformer.....			3647 Nut—Cap nut and lock washer—.....
	3637	Transformer—2nd intermediate frequency transformer.....			3648 Screw—No. 10-32- ³ / ₈ " cap screw and lock washer—.....
C-8	3641	Capacitor—0.1 mfd.....			3689 Bracket—Receiver mounting bracket, bolt and nut assembly.....
	3644	Bracket—Condenser drive bracket and roller...		S-1201	Suppressor—Spark plug suppressor.....
C-24	3695	Capacitor—375 mmfd.....		S-1182	Suppressor—Distributor suppressor.....
C-9	3696	Capacitor—40 mmfd.....		6494	Capacitor—Ammeter capacitor—0.5 mfd.....
C-12	S-1317	Capacitor—770 mmfd.....		6495	Capacitor—Generator capacitor—0.5 mfd.....
R-3	6135	Resistor—270 ohms—Carbon type— ¹ / ₄ watt.		S-1411	Housing—Rear section of housing.....
R-6	S-1067	Resistor—500,000 ohms—Carbon type— ¹ / ₄ watt		S-1412	Housing—Front section of housing.....
	S-1029	Spring—Tuning condenser drive cord tension spring—.....		S-1413	Insulator—Fuse insulator—.....
R-2	6242	Resistor—2 megohms—Carbon type— ¹ / ₄ watt.		3466	Connector—Antenna connector.....
	S-1271	Cord—Tuning condenser drive cord—.....		3827	Cable—From fuse connector to ammeter—.....
	6471	Coil—Oscillator coil assembly.....		3884	Clamp—Cable clamp—.....
	S-1312	Coil—R. F. coil assembly.....		VIBRATOR ASSEMBLIES	
T-2	6488	Transformer—Interstage audio transformer.....		3611	Spring—Buzzer spring and contact point—.....
	6470	Coil—Antenna coil, less shield.....		3612	Screw—Buzzer adjustment screw and nut—.....
S-2	6490	Tone control switch.....		3613	Spring—Main contact spring and contact point.....
C-4	6492	Capacitor—Comprising one 3.6 mfd. and one 1.0 mfd. capacitors.....		3614	Resistor—50 ohms—Carbon type— ¹ / ₂ watt.....
C-13	6493	Drum—Tuning condenser drive drum.....		6478	Armature assembly—Comprising armature, contacts and springs—Assembled.....
C-22	6513	Capacitor—Comprising two 5.0 mfd. capacitors.		R-12	6479 Coil—Vibrator coil assembly.....
C-17				L-15	6480 Capacitor and base assembly—Comprising vibrator base and two 0.03 mfd. capacitors..
C-1	6514	Capacitor—Comprising two 0.05 mfd. capacitors		6481	Shield—Outer shield for vibrator assembly.....
C-5	6515	Cable—Shielded cable with antenna connector..		6482	Shield—Inner shield for vibrator assembly.....
	6516	Connector—Fuse connector.....		7604	Vibrator—Sealed vibrator assembly complete..
	6517	Cable—Main cable complete with fuse connector		REPRODUCER ASSEMBLIES	
	S-1151	Socket—Radiotron 6 contact socket.....		T-3	3688 Transformer—Output transformer.....
	7600	Filter pack—Comprising one reactor, one choke coil, one 0.5 mfd., two 4.0 mfd., and one 375 mmfd. capacitors.....			7607 Screen—Metal screen.....
T-1	7601	Condenser—3 gang variable tuning condenser..			7608 Coil assembly—Comprising field coil, magnet and cone support.....
	9430	Transformer—Power transformer.....		S-1314	Cone—Reproducer cone complete.....
	3645	Knob—Tone control knob.....			
	3856	Spring—Ground clip spring—.....			
CONTROL BOX ASSEMBLIES					
	3649	Key—Volume control and switch key.....			
	3650	Screw—Self locking No. 10-32- ³ / ₈ " full dog point set screw—.....			
	3651	Screw—Self locking No. 10-32- ³ / ₈ " cupped point set screw—.....			
	3652	Screw—Self locking No. 10-32- ³ / ₈ " cupped point set screw—For flexible drive shaft—.....			

REPLACEMENT PARTS — MODELS R-35, R-39 & RE-57

Insist on genuine factory tested parts, which are readily identified and may be purchased from authorized dealers.

Stock No.	DESCRIPTION	Stock No.	DESCRIPTION
	RECEIVER ASSEMBLY		
10809	Cam wheel cover plate—	10835	Capacitor—.01 mfd. capacitor on resistor board
10814	Filter coil and condenser shield	10841	Resistor—1½ megohm resistor—1 watt
10805	Condenser shield—(4 used)	2546	Resistor—1 megohm resistor—1 watt
10807	Pilot lamp shield	2970	Resistor—½ megohm Resistor—1 watt
10806	Condenser shield—(1 used)	10840	Resistor—2800 ohm—1 watt
10829	Coil—1st R. F. Coil	2966	Resistor—28,000 ohm—1 watt
10828	Antenna coupling coil	10818	Condenser—By-pass condenser—.25 and .75 mfd.
2748	Twin Binding Post—(Ant. & Gnd.)	10811	Condenser—Tuning condenser (One) complete
10812	Cam roller shaft—		
10822	Cam wheel complete		AMPLIFIER
2746	Dial lamp socket		
10817	Link coil	10909	Condenser bank
7124	UY-224 Socket—	10910	Extra condenser for 25 cycle only
10815	Filter, Coil and Condenser	8554	Transformer—Interstage and output transformer
10831	Five Contact Terminal Strip	10911	Reactor
10816	Coil—3rd R. F. Coil	10917	Transformer — Power transformer — (60 cycle, 120 volts)
10834	Tube socket clip—	10915	Transformer — Power transformer — (25 cycle, 120 volts)
10947	Dial scale	7054	Power cord and plug
10825	Stabilizing Inductor—Complete	8559	Ring—Cone retaining ring
3155	Resistor—9000 ohms—1 watt	8557	Cone Housing
10839	Resistor—130 ohms—1 watt	8558	Cone—Speaker cone
10826	Volume control	8560	Coil—Speaker Field coil
10830	Coil—2nd R. F. coil	7053	Resistor—750 ohms—wire wound
10813	Tone control	2722	Resistor—(UX-245 Filament Centre tap)
10837	By-pass capacitors—three .1 mfd.		
10819	By-pass capacitor—One 1.0 mfd. and One .1 mfd.		

Model RE-37 RCA Victrola



ALIGNMENT PROCEDURE

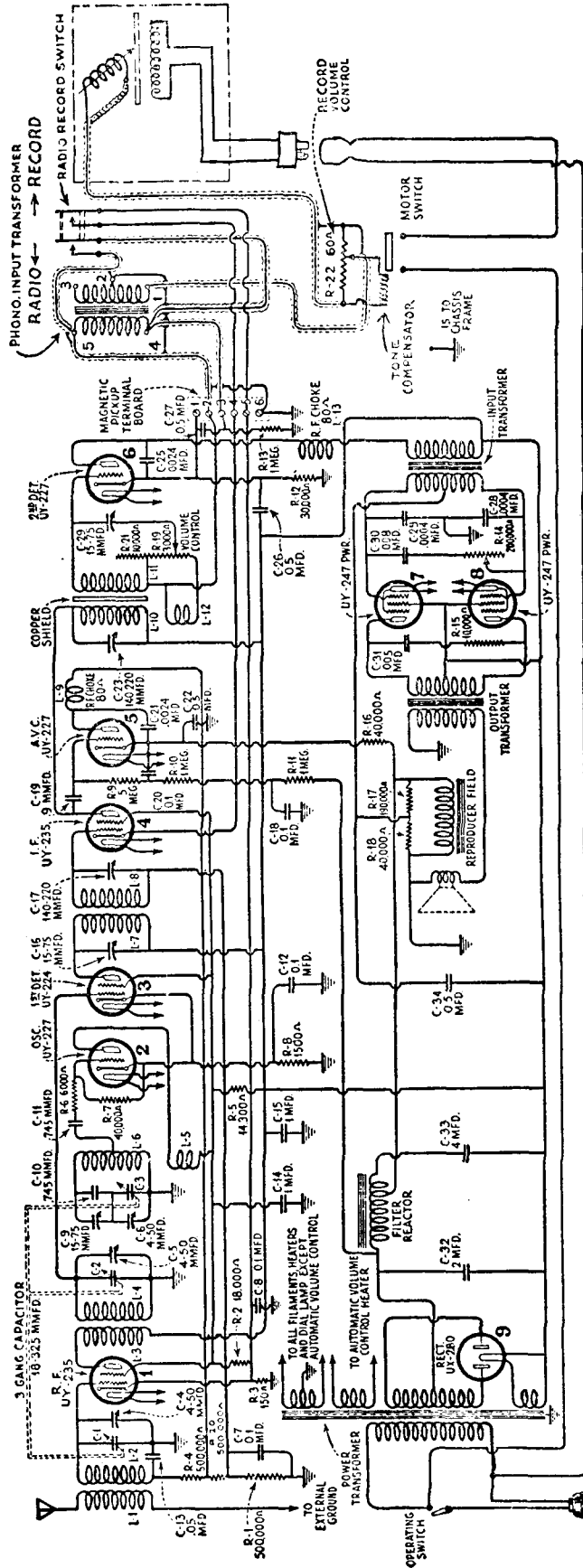
R.F. & Det. Stages 1400 K.C.
 Oscillator Stage 600 K.C., 1400 K.C.
 Intermediate Frequency 175 K.C.
 Align all stages for maximum peak.

REPLACEMENT PARTS — MODEL RE-37

Insist on genuine factory tested parts, which are readily identified and may be purchased from authorized dealers.

Stock No.	DESCRIPTION	Stock No.	DESCRIPTION
RECEIVER ASSEMBLY			
2563	Resistor—6,000 ohms—Carbon type.....	2770	Plate—Pickup damper plate complete—
2734	Capacitor—745 mmfd.....	2771	Screw—Pickup damper plate mounting screw—
2745	Screw—Adjusting condenser screw.....	2774	Trip rod—Pickup arm trip rod with mounting nut—
2746	Socket—Dial lamp socket.....	2908	Spring—Shift lever and pawl carrier spring—
2747	Cap—Grid connector cap.....	3052	Screw assembly—Pickup pole shoe mounting screw, nut and washer—
2749	Capacitor—2400 mmfd.....	3157	Gear—Driving gear—Located on turntable spindle above top plate.....
S-1123	Knob—Volume or Tone Control knob.....	3159	Friction brake—Gear reducing friction brake spring with mounting rivet and pad.....
S-1124	Knob—Tuning knob.....	6215	Escutcheon—Speed escutcheon plate with mounting screws.....
S-1031	Bracket—Dial lamp bracket and indicator.....	3167	Magnet—Pickup magnet.....
2882	Socket—UY Radiotron socket—7 used.....	3169	Pole shoe—R. H. pole shoe.....
2963	Resistor—8,000 ohm carbon type.....	3170	Pole shoe—L. H. pole shoe.....
2968	Socket—UX Radiotron socket—1 used.....	3211	Washer—Turntable spindle leather washer—
2973	Board—Magnetic pickup terminal board.....	3224	Switch—Radio-Record changeover switch with mounting nut and washer.....
2991	Transformer—First intermediate transformer.....	3278	Bearing—Fibre rotor shaft thrust bearing and cork button.....
2992	Transformer—Second intermediate transformer.....	3279	Screw and Nut—Rotor shaft thrust bearing adjusting screw and lock nut.....
2994	Coil—Second detector plate coil complete with mounting rivet.....	3280	Washer—Metal washer located on turntable underneath gear reducing unit—
2995	Volume control—Complete less knob.....	3281	Pawl—Gear reducing pawl with mounting stud.....
S-1023	Coil—R. F. coil—Complete with mounting washers and nuts.....	6119	Motor hanging stud.....
S-1292	Coil—Detector and oscillator coil—Complete with mounting washers and nuts.....	6120	Screw—For holding turntable spindle bearing—
S-1028	Cord—Condenser drive cord.....	6121	Bearing—Turntable spindle bearing and grease cap.....
S-1029	Spring—Condenser drive spring.....	7093	Cover—Pickup cover.....
S-1138	Scale—Dial scale and drum with set screws.....	7151	Back—Pickup housing back.....
3003	Cushion—Sponge rubber chassis support cushions—	7180	Brake—Automatic brake complete.....
3005	Screw assembly—Speaker mounting screw assembly—Comprising one set of 4 screws, 4 eyelets, 4 nuts and 4 washers.....	7305	Gear—Reducing unit complete.....
3056	Shield—Radiotron shield—3 used.....	7332	Cable—Main cable from receiver to input transformer radio-record switch and volume control.....
3060	Resistor—40,000 ohm—Carbon type.....	7388	Spindle—Turntable spindle with fibre gear—60 cycle.....
3062	Board—Loudspeaker terminal board.....	7389	Rotor and shaft—60 cycles.....
3076	Resistor—1 megohm—Carbon type.....	7390	Motor mounting washers and springs—Comprising 3 "C" washers, 9 cup washers, 6 springs and 3 flat washers—
3077	Resistor—30,000 ohm—Carbon type.....	7391	Volume control—Record volume control with mounting nut and washer.....
3078	Resistor—10,000 ohm—Carbon type.....	7392	Holder—Needle holder.....
3079	Resistor—40,000 ohm—Carbon type.....	7393	Block—Pickup connector block and wire.....
3080	Resistor—160,000 ohm—Carbon type.....	7394	Pickup—Unit complete.....
3081	Resistor—16,000 ohm—Carbon type.....	7400	Turntable spindle and gear—25 cycles.....
3083	Tone control and switch—Tone control and operating switch—Complete less knob.....	7401	Rotor and shaft—25 cycles.....
3084	Capacitor—0.008 mfd.—For tone control.....	8731	Lever—Shift lever assembly complete.....
3085	Capacitor—400 mfd.....	S-1058	Motor—Motor complete—60 cycles.....
7054	Cord—Power cord.....	8796	Arm—Pickup arm complete less pickup unit.....
7062	Capacitor—Adjustable oscillator trimming capacitor.....	S-1059	Motor—Motor complete—25 cycles.....
S-1039	Capacitor—3 gang tuning capacitor.....	10184	Plate—Automatic brake trip plate with mounting screws.....
7255	Transformer—Interstage audio transformer.....	MISCELLANEOUS	
S-1056	Capacitor pack—By-pass capacitor pack.....	2759	Box—Needle box with lid.....
8559	Ring—Cone retaining ring.....	3102	Receptacle for Tungstone needle boxes.....
8570	Shield—Intermediate transformer shield.....	7084	Turntable covering.....
8601	Cone—Cone with voice coil.....	S-1062	Transformer—Input transformer.....
8653	Coil—Speaker field coil, core and cone support.....	8733	Turntable with cover.....
8679	Transformer—Power transformer—105-125 volt, 50-60 cycle.....	CABINET	
8680	Transformer—Power transformer—105-125 volt, 25-40 cycle.....	S-1034	Escutcheon—Tuning dial escutcheon.....
MOTOR BOARD ASSEMBLIES		7082	Support—Lid support.....
2614	Switch—Automatic brake switch.....	10901	Spring—Lid support spring.....
2615	Spring—Automatic brake springs—		
2620	Cushions—Pickup rubber cushions comprising 2 pivots and 1 damper cushion—		
2765	Screw needle holding screw—		
2766	Screw—Pickup cover mounting screw—		
2767	Spring—Pickup magnet retaining spring—		
2768	Armature—Pickup armature.....		
2769	Coil—Pickup coil.....		

Model RE-41 RCA Victrola



ALIGNMENT PROCEDURE

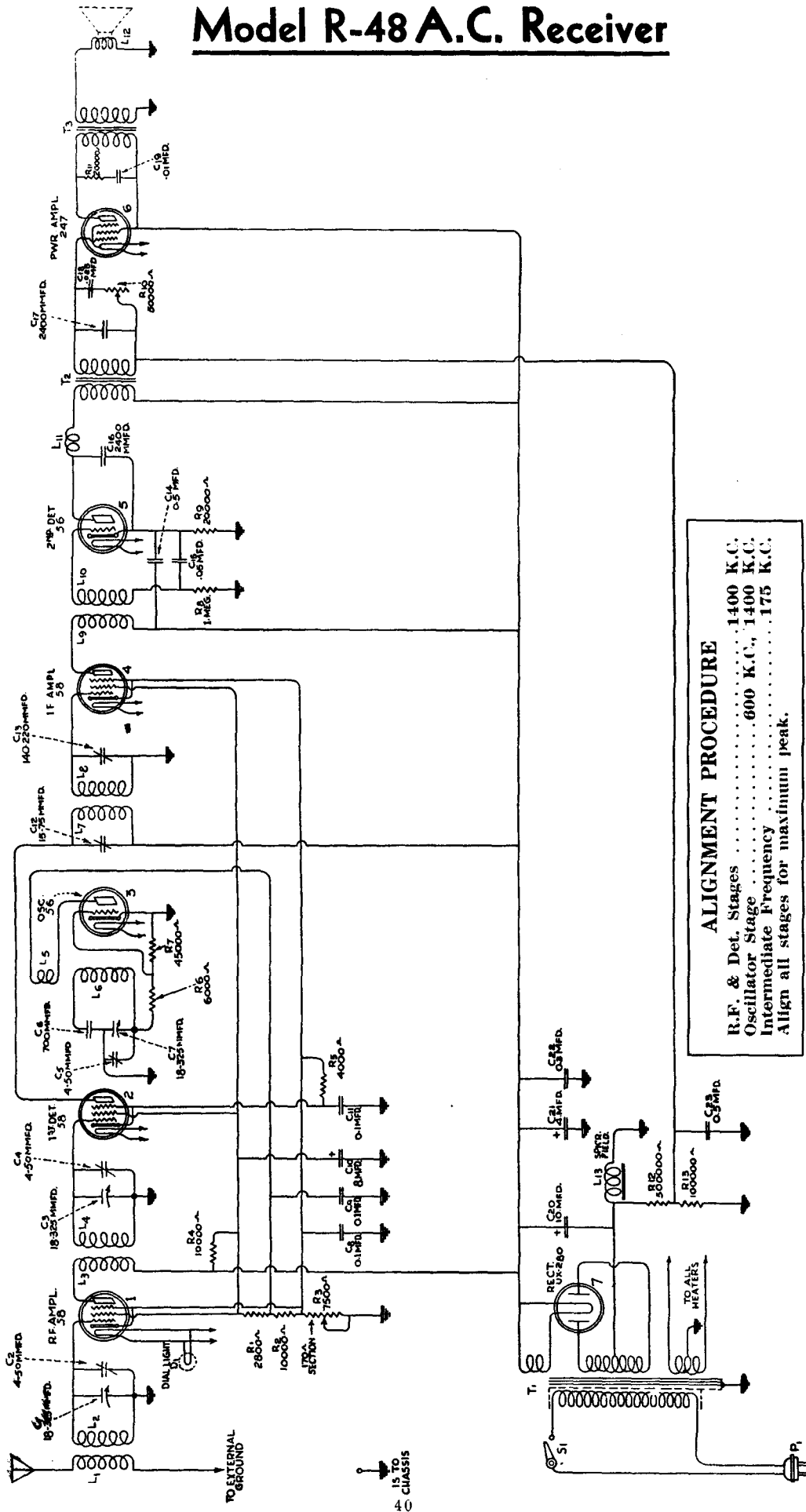
R.F. & Det. Stages 1400 K.C.
 Oscillator Stage 1400 K.C.
 Intermediate Frequency 600 K.C.
 Align all stages for maximum peak.

REPLACEMENT PARTS — MODEL RE-41

Insist on genuine factory tested parts, which are readily identified and may be purchased from authorized dealers.

Stock No.	DESCRIPTION	Stock No.	DESCRIPTION
RECEIVER ASSEMBLY			
2563	Resistor—6,000 ohms—Carbon type	2768	Armature—Pickup armature
2730	Resistor—18,000 ohms—Carbon type	2769	Coil—Pickup coil
2734	Capacitor—745 mmfd.	2770	Plate—Pickup damper plate complete
2746	Socket—Dial lamp socket	2771	Screw—Pickup damper plate mounting screw
2747	Contact cap	2774	Trip rod—Pickup arm trip rod with mounting nut
2749	Capacitor—2,400 mmfd.	2908	Sprung—Shift lever and pawl carrier sprung
2882	Socket—UY Radiotron socket—Complete with insulating shield—8 used	3052	Screw assembly—Pickup pole shoe mounting screw, nut and washer
2968	Socket—UX Radiotron socket—Complete with insulating shield—1 used	3157	Gear—Driving gear—Located on turntable spindle above top plate
2999	Shaft—Dial drum drive shaft	3159	Friction brake—Gear reducing friction brake spring with mounting rivet and pad
3029	Indicator—Tuning dial indicator—Complete with bracket	6215	Escutcheon—Speed escutcheon plate with mounting screws
3046	Resistor—190,000 ohms—Carbon type	3167	Magnet—Pickup magnet
S-1293	Resistor—1,500 ohms—Carbon type	3169	Pole shoe—R.H. pole shoe
3048	Resistor—500,000 ohms—Carbon type	3170	Pole shoe—L.H. pole shoe
3049	Resistor—150 ohms—Carbon type	3211	Washer—Turntable spindle leather washer
3050	Resistor—14,000 ohms—Carbon type	S-1369	Switch—Radio-Record changeover switch with mounting nut and washer
3051	Resistor—5 megohm—Carbon type	3278	Bearing—Fibre rotor shaft thrust bearing and cork button
3053	Capacitor—9 mmfd.	3279	Screw and Nut—Rotor shaft thrust bearing adjusting screw and lock nut
3055	Cushion—Chassis support cushion	3280	Washer—Metal washer located on turntable underneath gear reducing unit
3056	Shield—Radiotron shield	3281	Pawl—Gear reducing pawl with mounting stud
3076	Resistor—1 me.ohm—Carbon type	6119	Motor hanging stud
3077	Resistor—30,000 ohms—Carbon type	6120	Screw—For holding turntable spindle bearing
3078	Resistor—10,000 ohms—Carbon type	6121	Bearing—Turntable spindle bearing and grease cap
3079	Resistor—40,000 ohms—Carbon type	7093	Cover—Pickup cover
3085	Capacitor—400 mmfd.	7151	Back—Pickup housing back
3089	Terminal board—Magnetic pickup terminal board	7180	Brake—Automatic brake complete
3090	Board—A. V. C. and 2nd detector R. F. choke mounting board—Less choke coils	7305	Gear—Reducing unit complete
3092	Volume control—Complete with mounting nut	S-1277	Cable—Main cable from receiver to input transformer radio-record switch and volume control
3093	Tone Control—Complets with mounting nut	7387	Reactor—Tone compensating reactor with mounting bracket
3094	Shield—Radiotron shield—1 used	7388	Spindle—Turntable spindle with fibre gear—60 cycle
3095	Coil—R. F. coil—Complete with mounting bracket	7389	Rotor and shaft—60 cycles
3096	Coil—1st detector and oscillator coil—Complete with mounting bracket	7390	Motor mounting washers and springs—Comprising 3 "C" washers, 9 cup washers, 6 springs and 3 flat washers—Package of 1 set
3097	Scale—Dial drum scale with set screws	7391	Volume control—Record volume control with mounting nut and washer
3098	Capacitor—0.008 mfd.	7392	Holder—Needle holder
3099	Capacitor—0.005 mfd.	7393	Block—Pickup connector block and wire
7054	Cord—Power cord	7394	Pickup—Unit complete
7062	Capacitor—Adjustable oscillator trimmer capacitor—15-70 mmfd.	7400	Turntable spindle and gear—25 cycles
7241	Capacitor—3 gang tuning capacitor with mounting screws and washers	7401	Rotor and shaft—25 cycles
7266	Transformer—1st intermediate transformer	7415	Field and field coils—50-60 cycles—Assembled
7267	Transformer—2nd intermediate transformer	7416	Field and field coils—25-30 cycles—Assembled
7268	Coil—Detector or A. V. C. R. F. choke coil—Complete with mounting rivet	8731	Lever—Shift lever assembly complete
S-1063	Capacitor pack—In metal container—60 cycle	8795	Motor—Motor complete—60 cycles
7270	Reactor—Filter reactor	8796	Arm—Pickup arm complete less pickup unit
7271	Transformer—Interstage transformer	8800	Motor—Motor complete—25 cycles
7272	Transformer—Power transformer—105-125 volts, 50-60 cycles	10184	Plate—Automatic brake trip plate with mounting screws
7274	Transformer—Power transformer—105-125 volts, 25-40 cycles	MISCELLANEOUS	
LOUDSPEAKER ASSEMBLY			
7257	Coil—Cone support with retaining ring, magnet and field coil	2759	Box—Needle box with lid
7258	Transformer—Output transformer	3102	Receptacle for Tungstone needle boxes
8559	Ring—Cone retaining ring	7084	Turntable covering
8601	Cone—Cone with voice coil	7312	Transformer—Input transformer
MOTOR BOARD ASSEMBLIES			
2614	Switch—Automatic brake switch	8733	Turntable with cover
2615	Spring—Automatic brake springs	CABINET	
2620	Cushions—Pickup rubber cushions comprising 2 pivots and 1 damper cushion	7082	Support—Lid support
2765	Screw needle holding screw	10901	Spring—Lid support spring
2766	Screw—Pickup cover mounting screw		
2767	Spring—Pickup magnet retaining spring		

Model R-48 A.C. Receiver



ALIGNMENT PROCEDURE

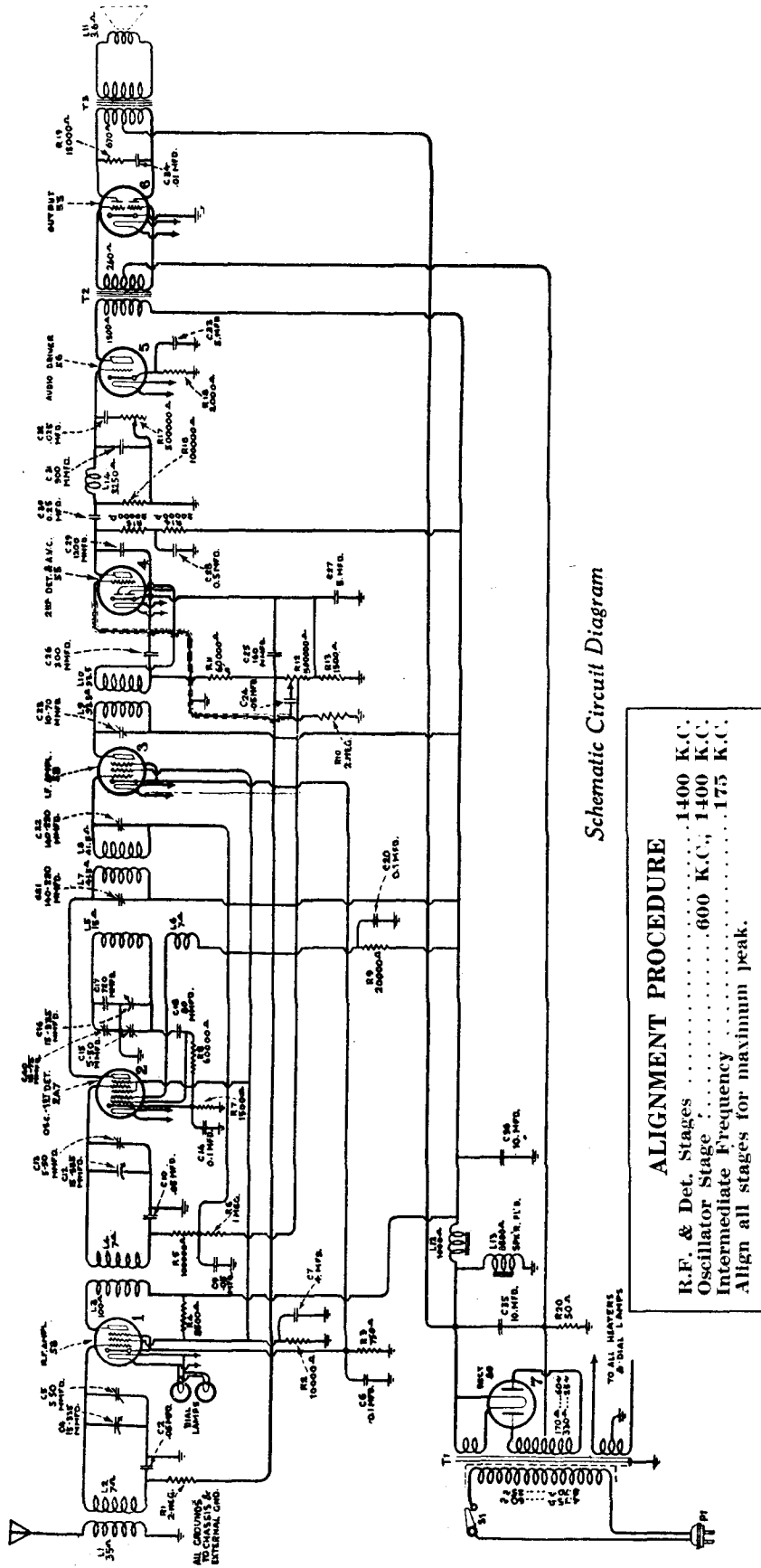
R.F. & Det. Stages 1400 K.C.
 Oscillator Stage 600 K.C., 1400 K.C.
 Intermediate Frequency 175 K.C.
 Align all stages for maximum peak.

REPLACEMENT PARTS — MODEL R-48

Insist on genuine factory tested parts, which are readily identified and may be purchased from authorized dealers.

Stock No.	DESCRIPTION	Stock No.	DESCRIPTION
CHASSIS ASSEMBLY			
2563	Resistor—6,000 Ohms—Carbon type—1 watt.....	S-1267	Coil—2nd. Detector plate choke coil on mounting board.....
2746	Socket—Dial lamp socket.....	S-1266	Transformer—2nd. Intermediate Frequency transformer.....
2747	Cap—Grid connector cap—.....	S-1262	Transformer—1st. Intermediate Frequency transformer.....
3076	Resistor—1 megohm—Carbon type— $\frac{1}{2}$ watt.....	S-1263	Coil—Detector and Oscillator coil with mounting brackets.....
S-1016	Resistor—100,000 Ohms—Carbon type— $\frac{1}{2}$ watt.....	S-1271	Cord—Condenser drive cord—
3048	Resistor—500,000 Ohms—Carbon type— $\frac{1}{2}$ watt.....	S-1029	Spring—Condenser gang drive cord tension spring—.....
3078	Resistor—10,000 Ohms—Carbon type— $\frac{1}{2}$ watt.....	8917	Transformer—Audio transformer assembly comprising interstage and output transformers in metal container.....
3458	Resistor—2,800 Ohms—Carbon type— $\frac{1}{2}$ watt.....	S-1261	Capacitor—700 mmfd. oscillator series capacitor.....
6318	Resistor—10,000 Ohms—Wire Wound type—20 watts.....	7362	Capacitor—.025 mfd. capacitor for tone control circuit.....
6303	Resistor—20,000 Ohms—Carbon type— $\frac{1}{2}$ watt.....	S-1265	Capacitor—2400 mmfd. XL capacitor for audio circuit.....
6250	Resistor—4,000 Ohms—Carbon type— $\frac{1}{2}$ watt.....	S-1260	Transformer — Power transformer—50-60 cycles—105-125 volts.....
S-1131	Resistor—45,000 Ohms—Carbon type— $\frac{1}{2}$ watt.....	S-1268	Transformer — Power transformer—25-40 cycles—105-125 volts.....
S-1150	Socket—UY type radiotron tube socket—3 used.....	S-1269	Knob—Large knob for station selector control.....
S-1151	Socket—Six contact type tube socket—3 used.....	S-1270	Knob—Small knob for tone or volume control.....
6300	Socket—UX type radiotron tube socket—1 used.....	S-1034	Escutcheon—Station selector dial escutcheon
S-1255	Capacitor—Three gang tuning capacitor complete with drive shaft, dial drum and cord.....	3003	Cushion—Rubber chassis support cushions
S-1138	Scale—Dial scale and drum complete with set screws.....	LOUD SPEAKER ASSEMBLY	
6307	Tone control—Tone control complete with mounting nut.....	6184	Terminal board—Speaker terminal board—3 Terminals—.....
S-1258	Volume control—Volume control complete with mounting nut.....	8969	Cone—Reproducer cone complete with voice coil.....
S-1259	Capacitor—Capacitor pack (by-pass) in metal container.....	8920	Ring—Cone retaining ring.....
S-1276	Coil—R. F. coil complete with mounting brackets and leads.....	9416	Coil—Reproducer field coil—comprising coil cone housing and magnet assembly.....

Model R-49 A.C. Receiver

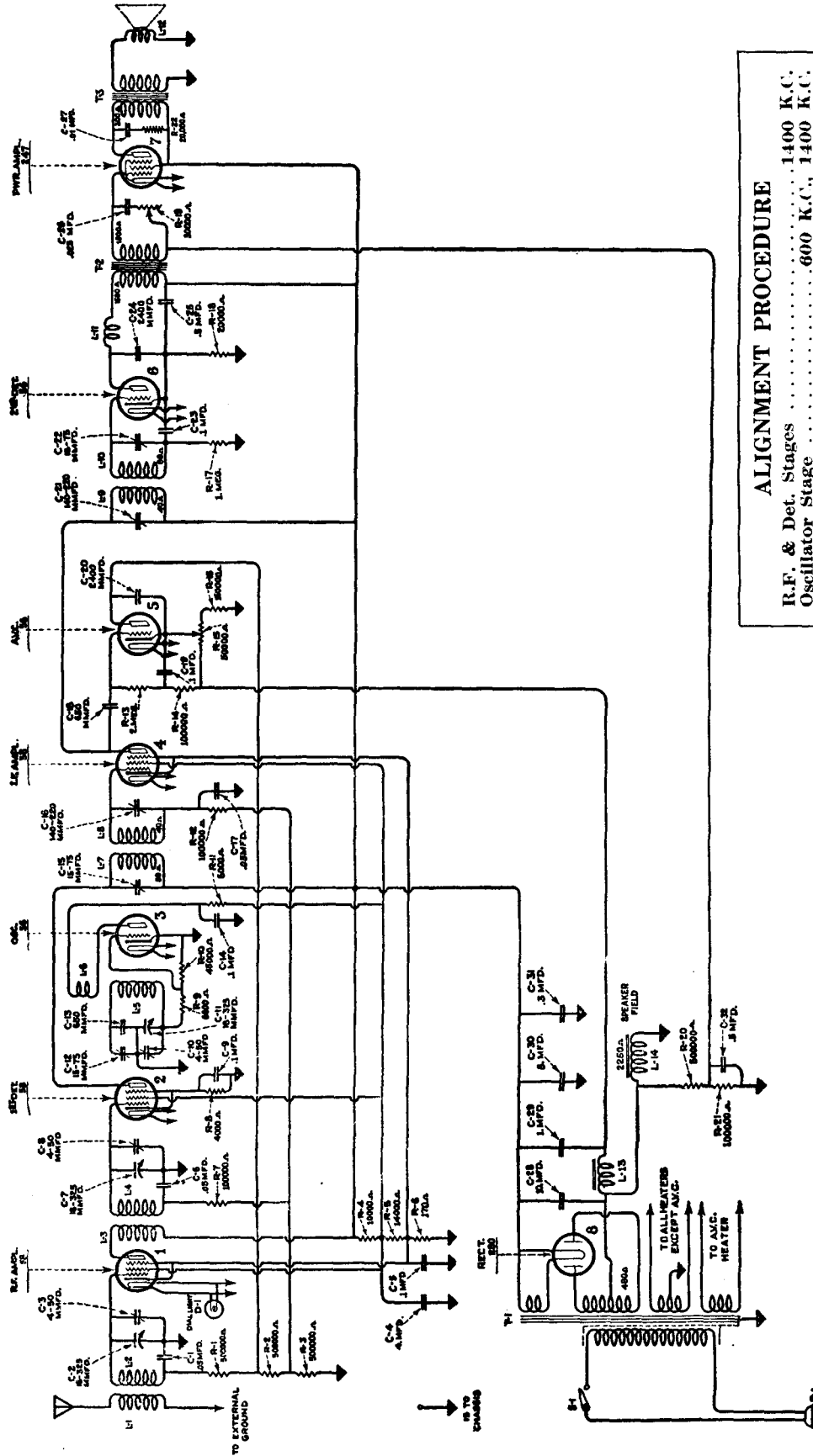


REPLACEMENT PARTS — MODEL R-49

Insist on genuine factory tested parts, which are readily identified and may be purchase
from authorized dealers.

Key No.	Stock No.	DESCRIPTION	Key No.	Stock No.	DESCRIPTION
RECEIVER ASSEMBLIES					
R- 5 } R-16 }	S-1016	Resistor, 100,000 ohms—Carbon Type— $\frac{1}{2}$ watt.....	C-14 } C-20 }	3641	Capacitor—.1 mfd.....
R- 1 } R-10 }	S-1032	Resistor, 2 megohm — Carbon Type— $\frac{1}{2}$ watt.....		3682	Shield — Tube shield — Oscillator and 1st detector.....
R-19	S-1116	Resistor, 15,000 ohms — Carbon Type— $\frac{1}{2}$ watt.....		3719	Socket—7 Contact Tube Socket.
R-11	S-1121	Resistor, 60,000 ohms — Carbon Type— $\frac{1}{2}$ watt.....	C-32	3765	Capacitor—.025 mfd.....
	S-1150	Socket—5 Contact Tube Socket..	R-3	3769	Resistor — 750 ohms — Carbon Type— $\frac{1}{2}$ watt.....
	S-1151	Socket—6 Contact Tube Socket..	R-20	3770	Resistor — 50 ohms — wire wound —porcelain type.....
	3592	Knob—Tuning or volume control knob.....	R-4	3771	Resistor — 8500 ohms — Carbon Type—3 watts.....
R- 7 } R-13 }	S-1309	Knob—Tone control knob.....	C-28	3772	Capacitor—.5 mfd.....
	S-1293	Resistor, 1500 ohms — Carbon Type— $\frac{1}{2}$ watt.....	C-31	3784	Capacitor—900 mmfd.....
C-6	S-1308	Capacitor—.1 mfd., R.F. & I.F. Bypass.....	L-14	3788	Coil -- High Frequency compen- sator choke coil.....
C-34	S-1318	Capacitor—.01 mfd.....		3789	Shield—Tube shield—I.F. & R.F.
	S-1327	Socket—Station selector or vol. control lamp socket.....	R- 9 } R-14 } R-15 }	6300	Socket—4 Contact Tube socket..
	S-1328	Coil—Antenna coil.....		6303	Resistor — 20,000 ohms — Carbon Type— $\frac{1}{2}$ watt.....
	S-1329	Capacitor—3 Gang tuning capa- citor.....		6471	Coil—Oscillator Coil.....
R-12	S-1330	Control—Volume control.....		6472	Coil—R.F. Coil.....
C-24	S-1332	Capacitor— .05 mfd.....	T-2	6551	Transformer—Driver Transformer.
R-17	S-1340	Control—Tone Control.....	L-12	6552	Reactor—Filter Reactor.....
C-17	2269	Capacitor—720 mmfd.....		6553	Transformer — 1st I. F. Trans- former.....
	2747	Cap—Contact Cap—		6554	Transformer — 2nd I. F. Trans- former.....
C-35	2957	Capacitor—10 mfd. Electrolytic Capacitor.....	C- 7 & C-36	6555	Capacitor pack—Comprising 1-10 mfd. and 1-4.0 mfd. capacitors .
R-6	3076	Resistor — 1 megohm — Carbon type— $\frac{1}{2}$ watt.....		6557	Scale—Dial and Dial scale for Tun- ing capacitor.....
C-18	3459	Capacitor—80 mmfd.....	C-30	6648	Capacitor .25 mfd.....
C-29	3460	Capacitor—1200 mmfd.....		7054	Cord—Power cord.....
R-18	3526	Resistor — 2000 ohms — Carbon Type— $\frac{1}{2}$ watt.....	C-40	7062	Capacitor — Adjustable trimming capacitor.....
C-27 & C-33	3536	Capacitor — Filter capacitor — 2—5.0 mfd.....	T-1	9026	Transformer—Power Transformer 105-125 V-50-60 Cycles.....
	3572	Socket—Seven contact tube socket —oscillator.....	T-1	9035	Transformer—Power Transformer 105-125V-25-30 Cycles.....
	3584	Ring—Antenna, R.F. & Oscillator Coil Retaining ring —			
R-8	3602	Resistor — 60,000 ohms — Carbon Type— $\frac{1}{4}$ watt.....			
C-26	3616	Capacitor—300 mmfd.....		S-1331	Board—Terminal Board complete.
	3622	Shield — Tube shield — Second detector.....	T-3	6556	Transformer — Output Transfor- mer.....
R-2	3630	Resistor — 10,000 ohms — Carbon Type—3 watts.....		8969	Cone—Reproducer Cone.....
C-25	3634	Capacitor—160 mmfd.....		9434	Coil Assembly—Comprising Field coil, magnet and cone support..
C- 2 } C- 9 } C-10 }	3640	Capacitor—.05 mfd.....			
REPRODUCER ASSEMBLIES					

Models R-50 & R-52 A.C. Receiver



Schematic Circuit Diagram

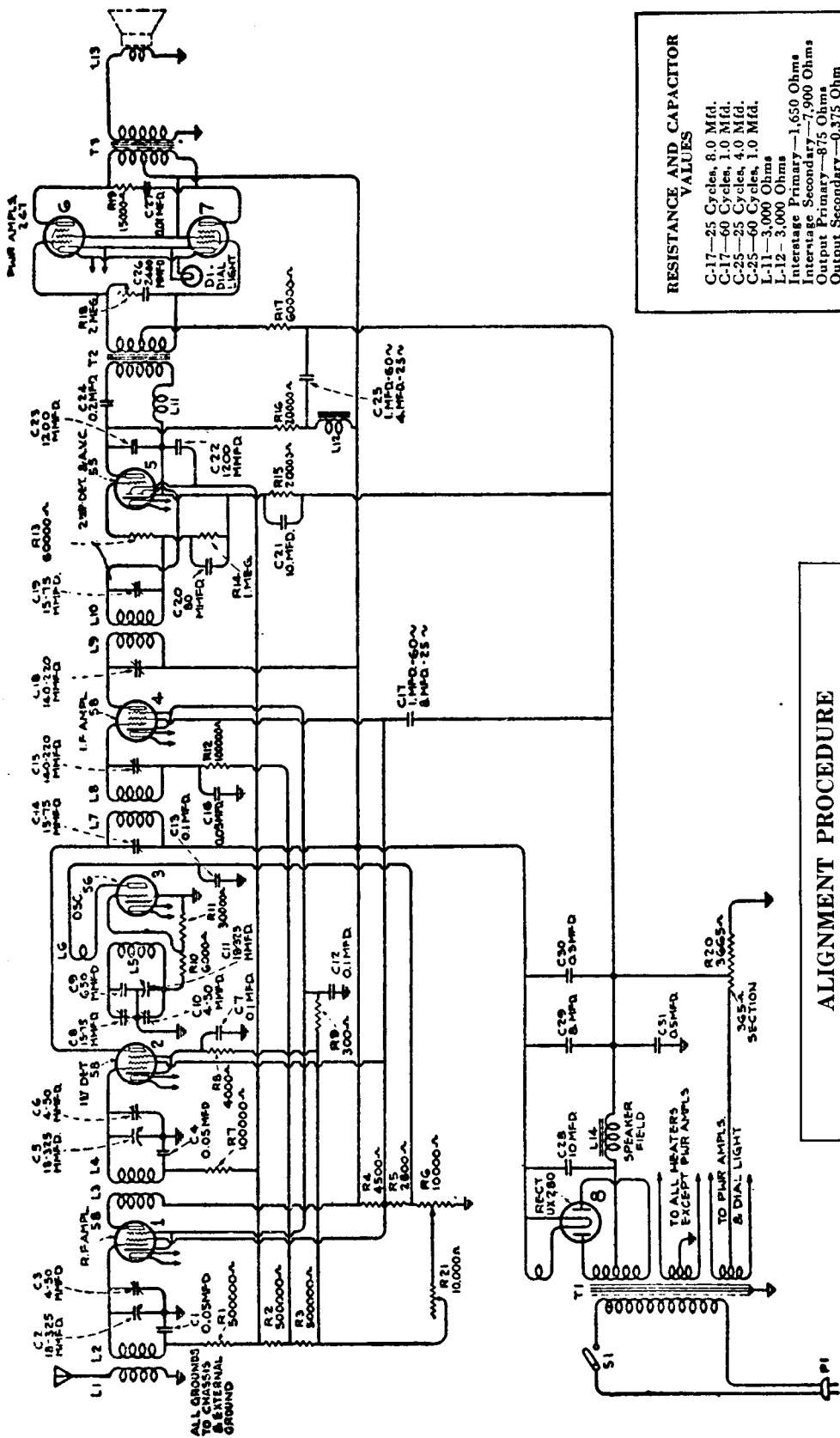
NOTE: For 25 cycle operation, C-29 is a 4. Mfd. capacitor.

REPLACEMENT PARTS — MODEL R-50 & R-52

Insist on genuine factory tested parts, which are readily identified and may be purchased from authorized dealers.

Stock No.	DESCRIPTION	Stock No.	DESCRIPTION
RECEIVER ASSEMBLIES			
2563	Resistor—6,000 ohms—Carbon type—1 watt.....	6319	Capacitor—0.01 mfd.—Located on resistor board.....
2746	Socket—Dial lamp socket.....	6321	Coil—2nd detector plate choke coil.....
2747	Cap—Grid connector cap.....	6322	Volume control complete with mounting nut.....
2749	Capacitor—2,400 mmfd.....	7054	Cord—Power cord.....
3003	Cushion—Sponge rubber cushion for mounting receiver chassis —	7062	Capacitor—Adjustable capacitor—15 to 70 mmfd.....
3048	Resistor—500,000 ohms—Carbon type— $\frac{1}{2}$ watt.....	7362	Capacitor—0.025 mfd.—Located on resistor board.....
3076	Resistor—1 megohm—Carbon type— $\frac{1}{2}$ watt.....	S-1137	Drum—Dial drum with set screws.....
S-1016	Resistor—100,000 ohms—Carbon type— $\frac{1}{2}$ watt.....	S-1138	Scale—Tuning dial scale.....
3360	Resistor—150,000 ohms—Carbon type— $\frac{1}{2}$ watt.....	S-1150	Socket—5 contact radiotron socket—4 used.....
S-1113	Resistor—6,000 ohms—Carbon type— $\frac{1}{2}$ watt.....	S-1151	Socket—6 prong radiotron socket—3 used.....
S-1067	Resistor—500,000 ohms—Carbon type— $\frac{1}{4}$ watt.....	S-1140	Shield—Radiotron shield—6 used—Plain Finish.....
S-1032	Resistor—2 megohm—Carbon type— $\frac{1}{2}$ watt.....	S-1141	Shield—Radiotron shield top—1 used—Plain Finish.....
S-1029	Spring—Condenser drive cord tension spring—	7501	Capacitor—3 gang variable tuning capacitor—Less drive shaft and drum.....
6250	Resistor—4,000 ohms—Carbon type— $\frac{1}{2}$ watt.....	7502	Capacitor pack—Comprising one 10. mfd., one 1 mfd., two 0.5 mfd., one 8. mfd., five 0.1 mfd., one 0.3 mfd., and one 4. mfd., capacitors in metal container—for 60 cycle use only.....
S-1124	Knob—Station selector—control knob... ..	S-1272	Capacitor pack—Comprising one 10. mfd., two 4 mfd., two 0.5 mfd., one 8 mfd., five 0.1 mfd., and one 0.3 mfd. capacitors in metal container—for 25 cycle use only.....
S-1123	Knob—Tone Control or Volume control Knob.....	7504	Coil—1st detector and oscillator coil complete with mounting bracket.....
S-1271	Cord—Tuning condenser drive cord—	8837	Support—Receiver chassis metal mounting support.....
6300	Socket—4 prong radiotron socket—1 used.....	8917	Transformer — Audio transformer assembly comprising interstage and output transformer in metal container....
6301	Reactor—Filter reactor.....	8918	Transformer—Power transformer—110-120 volts—50-60 cycles.....
6302	Bracket—Dial lamp bracket assembly... ..	8922	Transformer—Power transformer—110-120 volts—25-50 cycles.....
6303	Resistor—20,000 ohms—Carbon type— $\frac{1}{2}$ watt.....		REPRODUCER ASSEMBLIES
6304	Resistor—170 ohms—Carbon type— $\frac{1}{2}$ watt.....	6184	Board—Terminal board—3 terminals—
6306	Resistor—14,000 ohms— Carbon type—1 watt.....	8935	Cone—Reproducer cone complete with voice coil.....
6307	Tone control complete with mounting nut.....	8920	Ring—Cone retaining ring.....
S-1125	Coil—R. F. coil.....	9416	Coil—Reproducer field coil—Comprising coil, cone housing, and magnet.....
6309	Transformer—1st intermediate transformer.....		
6310	Transformer—2nd intermediate transformer.....		
6320	Capacitor—670 mmfd.—Oscillator series capacitor.....		
S-1131	Resistor—45,000 ohms—Carbon type— $\frac{1}{2}$ watt.....		
6317	Capacitor—0.05 mfd. capacitor.....		
6318	Resistor—10,000 ohms—20 watt.....		

Model R-53 A.C. Receivers



RESISTANCE AND CAPACITOR VALUES

- C-17—25 Cycles, 8.0 Mfd.
- C-17—60 Cycles, 1.0 Mfd.
- C-25—25 Cycles, 4.0 Mfd.
- C-25—60 Cycles, 1.0 Mfd.
- L-11—3,000 Ohms
- L-12—3,000 Ohms
- Interstage Primary—1,650 Ohms
- Interstage Secondary—7,900 Ohms
- Output Primary—875 Ohms
- Output Secondary—0.375 Ohm
- Power High Voltage—60 Cycles, 375 Ohms
- 25 Cycles, 500 Ohms
- Field—1,300 Ohms

ALIGNMENT PROCEDURE

- R.F. & Det. Stages 1400 K.C.
- Oscillator Stage 600 K.C., 1400 K.C.
- Intermediate Frequency 175 K.C.

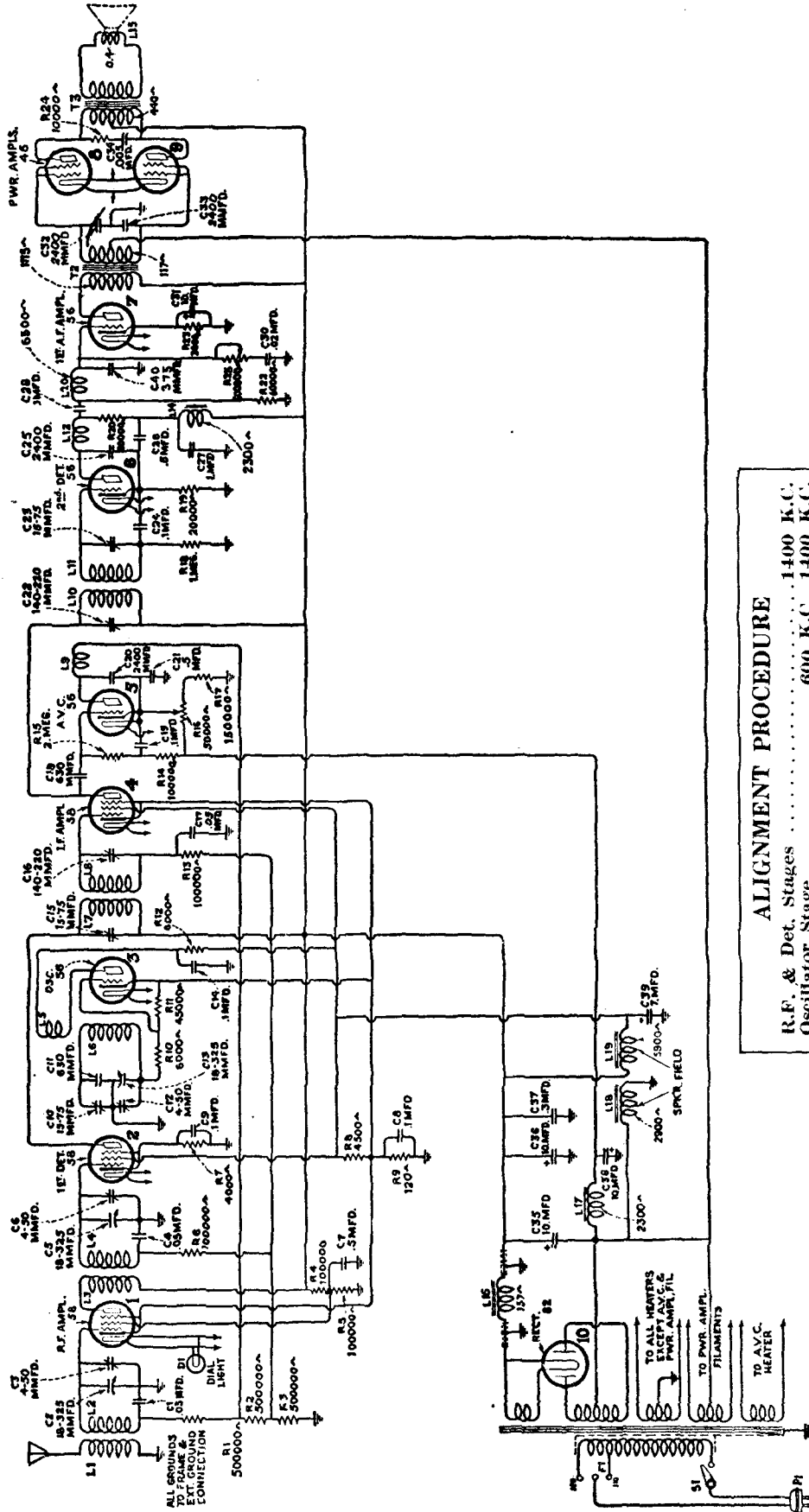
Align all stages for maximum peak.

REPLACEMENT PARTS — MODEL R-53

Insist on genuine factory tested parts, which are readily identified and may be purchased from authorized dealers.

Key No.	Stock No.	DESCRIPTION	Key No.	Stock No.	DESCRIPTION
		RECEIVER ASSEMBLIES			
				6323	Shaft — Tuning condenser drive shaft with washers—
	2746	Socket—Dial lamp socket		6367	Transformer — First intermediate frequency transformer
	2747	Cap—Contact cap—		6368	Transformer—Second intermediate frequency transformer
C-26	2749	Capacitor—2,400 mmfd. capacitor.		6369	Volume control or noise suppressor control—Complete with mounting nut
	3003	Cushion—Sponge rubber chassis support cushions—	R-6 } R-21 }		
R-1 } R-2 } R-3 } R-14 }	3048	Resistor—500,000 ohms—Carbon type— $\frac{1}{2}$ watt	R-18	6370	Tone control — Complete with mounting nut
	3076	Resistor—1 megohm—Carbon type— $\frac{1}{2}$ watt		7054	Cord—Power cord
R-11	3077	Resistor—30,000 ohms— $\frac{1}{2}$ watt—Carbon type	C-8	7062	Capacitor — Adjustable trimming capacitor — Capacity 15 to 75 mmfd.
R-7 } R-12 }	S-1016	Resistor—100,000 ohms— $\frac{1}{2}$ watt—Carbon type		S-1137	Drum — Dial drum with 3 dial mounting nuts
R-4	3369	Resistor—4,500 ohms—Porcelain type—20 watt		S-1275	Scale—Dial and dial scale
	3437	Knob—Noise Suppressor knob and set screw		S-1296	Coil—Detector and oscillator coil only, without mounting bracket
L-11	3449	Coil—Choke coil mounted on resistor board		S-1150	Socket—UY type Radiotron socket
C-24	3450	Capacitor—0.2 mfd. mounted on resistor board		S-1151	Socket—6 contact Radiotron socket
	6302	Bracket—Dial lamp bracket and indicator		S-1140	Shield—Radiotron tube shield
				S-1141	Shield—Radiotron tube shield top
C-27	3455	Capacitor—0.01 mfd.		7549	Transformer — Interstage audio transformer
C-1 } C-4 } C-16 }	3456	Capacitor—0.05 mfd.		7550	Capacitor pack—Comprising two 10.0 mfd., one 8.0 mfd., one 0.3 mfd., two 1.0 mfd., one 0.5 mfd., and three 0.1 mfd. capacitors in metal container—For 60 cycle operation
R-20	3457	Resistor — Porcelain type — 3,665 ohms—Tapped at 365 ohms			
R-5	3458	Resistor — 2,800 ohms — Carbon type— $\frac{1}{2}$ watt	T-1	7551	Transformer—Power transformer—105-125 volts—50-60 cycles
C-20	3459	Capacitor—80 mmfd. capacitor		7501	Capacitor—3 gang variable tuning capacitor complete with mounting nuts and washers
C-22 } C-23 }	3460	Capacitor—1,200 mmfd. capacitor			
R-9	3468	Resistor—300 ohms—Flexible type	T-1	7556	Transformer—Power transformer—105-125 volts—25-50 cycles
R-10	S-1113	Resistor—6,000 ohms— $\frac{1}{2}$ watt—Carbon type		7564	Capacitor pack—Comprising two 10.0 mfd., two 8.0 mfd., one 0.3 mfd., one 4.0 mfd., one 0.5 mfd. and three 0.1 mfd. capacitors in metal container—For 25 cycle operation
	S-1029	Spring—3 gang tuning capacitor drive cord tension spring—			
R-19	S-1116	Resistor—15,000 ohms— $\frac{1}{2}$ watt—Carbon type			
R-13 } R-17 }	S-1121	Resistor — 60,000 ohms — Carbon type— $\frac{1}{2}$ watt			
	S-1269	Knob — Station Selector Control knob			
	S-1270	Knob—Tone Control or volume control knob		3237	Screw assembly — Comprising 4 screws, 8 nuts, 4 washers, and 4 eyelets—
	S-1271	Cord—3 gang variable tuning capacitor drive cord—		S-1284	Board—Terminal board complete with 2 terminals—
	6300	Socket—4 contact Radiotron socket		6371	Transformer—Output transformer
L-12	S-1282	Reactor—Filter reactor		8920	Ring—Cone retaining ring
R-15 } R-16 }	S-1283	Resistor—20,000 ohms— $\frac{1}{2}$ watt—Carbon type		8935	Cone—Reproducer cone complete with voice coil
	S-1278	Coil—R. F. coil only		9421	Coil assembly—Comprising field coil, magnet and cone support
C-9	6312	Capacitor—650 mmf.			
					REPRODUCER ASSEMBLIES

Models R-54 & R-56 A.C. Receivers



ALIGNMENT PROCEDURE

R.F. & Det. Stages 1400 K.C.
 Oscillator Stage 600 K.C., 1400 K.C.
 Intermediate Frequency 175 K.C.

Align all stages for maximum peak.

REPLACEMENT PARTS — MODEL R-54 & R-56

Insist on genuine factory tested parts, which are readily identified and may be purchased from authorized dealers.

Stock No.	DESCRIPTION	Stock No.	DESCRIPTION
RECEIVER ASSEMBLIES			
2725	Fuse—1.5 Ampere—Cartridge type fuse—	6303	Resistor—20,000 ohms—Carbon type— $\frac{1}{2}$ watt.
2731	Resistor—10,000 ohms—Carbon type resistor—1 watt.	S-1278	Coil—R. F. coil complete with mounting bracket.
2746	Socket—Dial lamp socket.	S-1131	Resistor—45,000 ohms—Carbon type— $\frac{1}{2}$ watt.
2747	Cap—Contact cap.	6317	Capacitor—0.05 mfd. Capacitor.
2749	Capacitor—2,400 mmfd. capacitor.	6322	Volume control—Complete with mounting nut.
3048	Resistor—500,000 ohms—Carbon type— $\frac{1}{2}$ watt.	S-1281	Cord—Power cord.
3055	Cushion—Sponge rubber chassis cushion support—	7062	Capacitor—Adjustable tuning capacitor—15 to 70 mmfd.
3056	Shield—Radiotron tube shield.	S-1137	Drum—Dial drum with set screws and 3 dial mounting nuts.
3076	Resistor—1 megohm—Carbon type— $\frac{1}{2}$ watt.	S-1275	Scale—Dial and dial scale.
3077	Resistor—30,000 ohms—Carbon type— $\frac{1}{2}$ watt.	S-1150	Socket—UY type Radiotron socket—
3099	Capacitor—.005 mfd. capacitor.	S-1151	Socket—6 contact socket—
S-1016	Resistor—100,000 ohms—Carbon type resistor— $\frac{1}{2}$ watt.	S-1140	Shield—Radiotron tube shield—Plain finish.
3358	Resistor—3,000 ohms—Carbon type— $\frac{1}{2}$ watt.	S-1141	Shield—Tube shield top—1 used—Plain finish.
3359	Resistor—120 ohms—Flexible wire type.	7501	Capacitor—3 gang variable tuning capacitor complete with mounting screws and washers.
S-1280	Resistor—200,000 ohms—Carbon type— $\frac{1}{2}$ watt.	S-1279	Coil—Detector and oscillator coil complete with mounting bracket.
3368	Socket—UX type Radiotron socket.	7512	Reactor—Detector plate reactor.
3369	Resistor—4,500 ohms—Porcelain type—20 watt.	7513	Capacitor pack—Comprising five 0.1 mfd., three 0.5 mfd., one 7. mfd., four 10. mfd., one 0.3 mfd., and one 1. mfd. capacitor in metal container.
3370	Capacitor—0.02 mfd. capacitor.	7514	Transformer—1st intermediate frequency transformer.
3372	Cover—Fuse cover.	7515	Transformer — 2nd intermediate frequency transformer.
3373	Board—Terminal board—1 terminal and insulator.	7517	Shield—Metal shield—Located under power transformer and Radiotron 82, Complete with Capacitor.
3374	Reactor—A.V.C. Filter reactor.	7518	Reactor—Filter reactor.
3376	Mounting board—Fuse mounting board complete with mounting screws and lockwashers—Less fuse.	7519	Transformer—Audio input transformer.
3377	Coil—Choke coil.	7521	Reactor—Tone compensating reactor.
3378	Capacitor—375 mmfd. capacitor.	7522	Tone control—Complete with mounting nut.
S-1113	Resistor—6,000 ohms—Carbon type— $\frac{1}{2}$ watt.	8932	Transformer—Power transformer 105-125 volts—50-60 cycles.
S-1067	Resistor—500,000 ohms—Carbon type— $\frac{1}{4}$ watt.	8933	Transformer—Power transformer—105-125 volts—25-50 cycles.
S-1032	Resistor—2 megohm—Carbon type— $\frac{1}{2}$ watt.	S-1034	Escutcheon—Station selector escutcheon.
S-1029	Spring—3 gang tuning capacitor drive cord tension spring—	REPRODUCER ASSEMBLIES	
6250	Resistor—4,000 ohms—Carbon type— $\frac{1}{2}$ watt.	3237	Screw Assembly—Comprising 4 screws, 8 nuts, 4 washers, and 4 eyelets—
S-1115	Capacitor—0.1 mfd. capacitor—Located on metal shield.	6184	Board—Terminal board with 3 terminals
S-1121	Resistor—60,000 ohms—Carbon type— $\frac{1}{2}$ watt.	6325	Transformer—Output transformer.
S-1289	Capacitor—160 mmfd. oscillator series capacitor.	8920	Ring—Cone retaining ring.
S-1270	Knob—Volume control or tone control knob.	8935	Cone—Reproducer cone complete.
S-1269	Knob—Station selector control knob.	9420	Coil assembly—Comprising field coil, cone bracket and magnet.
S-1271	Cord—3 gang tuning capacitor drive cord		
6302	Bracket—Dial lamp bracket and indicator.		

REPLACEMENT PARTS — MODEL RAE-59

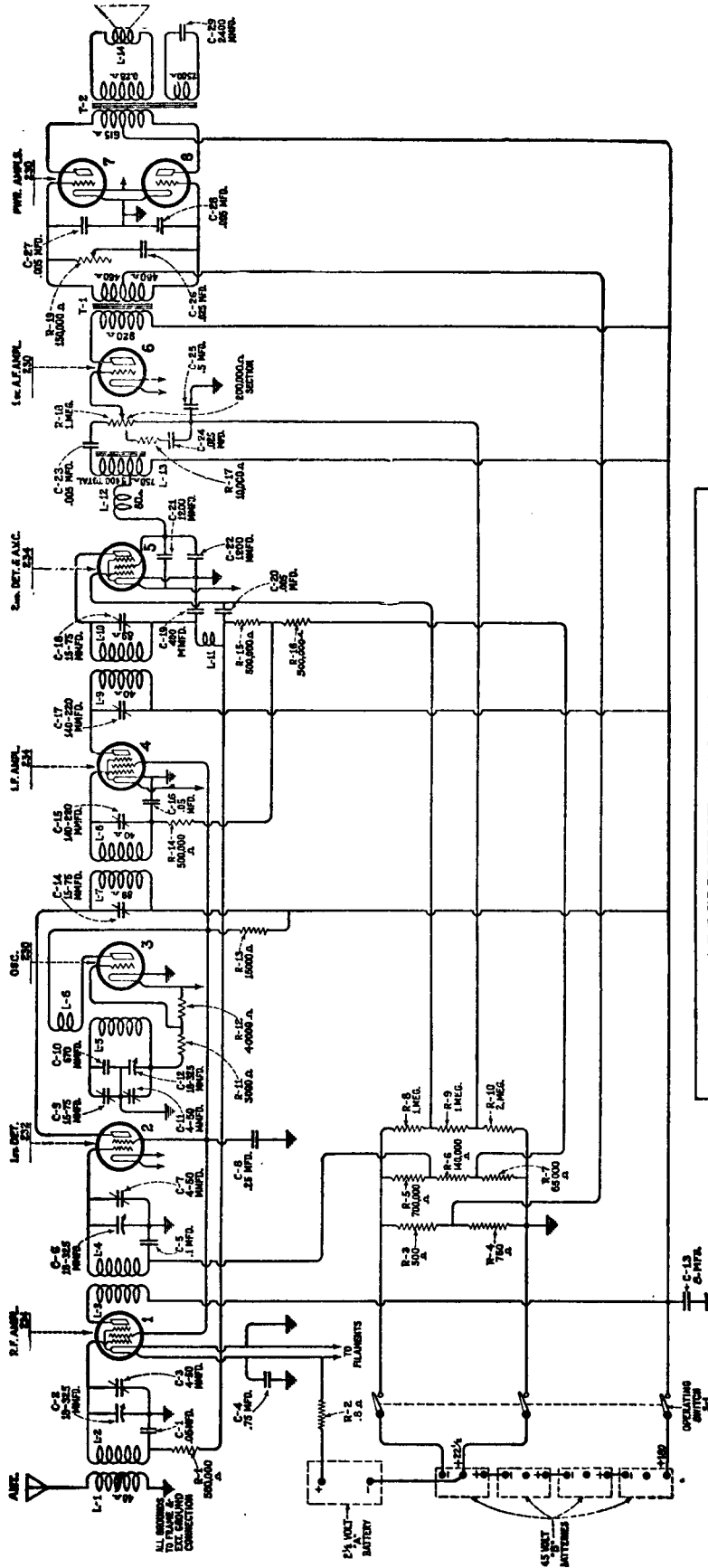
Insist on genuine factory tested parts, which are readily identified and may be purchased from authorized dealers.

Stock No.	DESCRIPTION	Stock No.	DESCRIPTION
	RECEIVER ASSEMBLY FOR RAE-59		
2726	Socket—UY Type Radiotron socket complete with shield (7 used)	3145	Resistor—700 ohm—Carbon type
2731	Resistor—10,000 ohm—Carbon type	3147	Cover—Fuse cover with insulator
2732	Resistor—110,000 ohm—Carbon type	3149	Switch—Operating switch—Toggle type—Assembled—Complete with mounting nuts and escutcheon
2736	Resistor—170 ohm—Carbon type	5817	Resistor—20,000 ohm—Carbon type
2746	Socket—Dial lamp socket	7290	Reactor—Filter reactor
2970	Resistor—500,000 ohm—Carbon type	7293	Strip—Terminal strip—Complete with 8 terminals
3031	Board—Terminal board complete with insulator—Three terminals	7294	Cover—Terminal strip cover for 7293
3081	Resistor—16,000 ohms—Carbon type	7296	Cover—Terminal strip cover—5 terminals
3137	Knob—Station Selector, Volume Control or Tone Control knob	8710	Transformer—Power transformer—105-125 Volts, 50-60 cycles
3138	Board—Terminal board complete with soldering terminal	8712	Capacitor pack—Comprising one 2 Mfd., one 3.0 Mfd., one 0.1 Mfd. and two 0.5 Mfd. condensers in metal container
3139	Coil—Oscillator and first detector coil complete with shield	8749	Transformer—Power transformer—25-40 cycles
3142	Volume control—Volume control complete with mounting nut	8751	Capacitor pack—Comprising two 4.0 Mfd., two 0.5 Mfd., and one 0.1 Mfd. in metal container
3143	Tone control—Tone control with mounting nut	10907	Fuse—3 amperes—
3144	Inductor—Tone control inductor	8711	Transformer—Audio Transformer assembly
3152	Resistor—30,000 ohm—Carbon type	7292	Screw assembly—Comprising two screws, two nuts, two lock washers and plate—For mounting speaker
3153	Resistor—1,500 ohm—Carbon type	8558	Cone—Reproducer cone
3154	Resistor—2,000 ohm—Carbon type	8559	Ring—Cone retaining
3155	Resistor—9,000 ohm—Carbon type	8713	Coil—Reproducer field coil
7062	Capacitor—Adjustable capacitor—		
7063	Capacitor—Adjustable capacitor—		
7278	Coil—R. F. and link circuit coil		
7280	Board—Terminal board complete with six terminals		
7281	Transformer—1st Intermediate transformer		
7282	Transformer—2nd Intermediate transformer	2614	Switch
7283	Transformer—3rd Intermediate transformer	2620	Cushion—Pickup rubber cushions—Comprising two pivots and one damper cushion
7285	Capacitor pack—Comprising one 1.0 Mfd., one 0.5 Mfd. and two 0.1 Mfd. condensers in metal container	2767	Spring—Pickup magnet spring—
7286	Capacitor pack—Comprising one 1.0 Mfd., one 0.5 Mfd., and three 0.1 Mfd. condensers in metal container	2768	Armature—Pickup armature
7287	Bracket—Dial lamp bracket	2769	Coil—Pickup coil
7288	Scale—Dial scale	2770	Plate—Pickup damper plate—
7297	Coil—R. F. choke coil for 2nd detector or automatic volume control	2771	Screw—Pickup damper plate mounting screw—
S-1133	Capacitor—0.01 Mfd.	2857	Plug—Three way male connector plug
2734	Capacitor—745 Mfd.	2893	Spring—Trip lever spring—
8703	Escutcheon—Station selector escutcheon	2896	Spring—Cable spring—
8708	Capacitor—Tuning capacitor assembly—Comprising four variable capacitors, drive, drive cord, spring and dial drum—(Assembled)	2897	Screw and Nut—Pickup arm cable adjusting screw and nut—
8709	Shield—Metal shield for two UY-235 and two UY-227 Radiotrons	2898	Screw and Nut—Adjusting screw and lock nut for elevator shaft—
8714	Shield—Shield complete for receiver assembly	2902	Screw and Nut—Motor turntable spindle thrust screw and nut—
		2903	Screw—Motor mounting screw—
		2904	Lever—Front elevator actuating lever
		2905	Screw—Gear and bracket mounting screw—
		2906	Spring—Check lever spring—
		2907	Screw—Clutch set screw—
2546	Resistor—1 megohm—Carbon type	2908	Spring—Clutch pawl spring—
2725	Fuse—Glass type—1.5 amperes—	2909	Spring—Four finger lever spring— $1\frac{1}{8}$ " long
		2910	Spring—Four finger lever spring— $1\frac{7}{8}$ " long
S-1337	Socket—UY Radiotron socket complete with shield	2911	Screw—Slide bracket screw—
3045	Resistor—40,000 ohm—Carbon type	2912	Roller—Slide roller complete with screw stud—One set
3058	Resistor—100,000 ohm—Carbon type	2913	Spring—Cable lever spring—
3099	Capacitor—0.005 Mfd. capacitor		
	S.P.U. REPRODUCER ASSEMBLY RAE-59		
			MOTOR BOARD AND AUTOMATIC RECORD CHANGES

REPLACEMENT PARTS—MODEL RAE-59 (Continued)

Stock No.	DESCRIPTION	Stock No.	DESCRIPTION
2914	Spring—Flat spring with screws—	3208	Screw assembly—Pickup mounting screw, nut and washer—
2915	Spring—Locating lever spring—	3209	Lever—Trip lever
2916	Plate—Latch plate with mounting screws—	3210	Lever—Magazine lever
2917	Washer—Spring washer—	3211	Washer—Turntable spindle leather washer—
2918	Spring—Index lever spring—	3212	Spring—Turntable spindle plunger spring—
2919	Screw and Nut—Stop screw and nut—	3213	Bolt—Motor board mounting bolt—
2920	Washer—Friction washer—	3214	Pulley—Cable pulley with mounting stud—
2929	Lever—Rear elevator actuating lever	3262	Screw and Nut—Record transfer lever adjusting screw and nut—
3052	Screw Assembly—Pickup pole shoe mounting screws, nut and washer—	7151	Back—Pickup back housing
3159	Friction brake—Gear reducing friction brake spring and pad with mounting rivets	7186	Gear—Gear and bracket
3161	Spring—Shift lever spring—	7188	Bracket—Slide bracket with roller
3167	Magnet—Pickup magnet	7189	Lever—Front and rear elevator cam lever
3169	Pole shoe—Pickup pole shoe—R. H.	7190	Lever—Locating lever
3170	Pole shoe—Pickup pole shoe—L. H.	7191	Lever—Cable lever
3173	Plug—Three prong female connector plug	7192	Cam—Cam gear and cam
3186	Control—Volume control and operating switch complete with mounting washer and nut	7194	Rotor and shaft—60 cycles
3190	Clutch pawl	7305	Gear reducing unit—Complete
3191	Ratchet—Gear and ratchet with set screw	7312	Transformer—Input transformer
3192	Post—Roller post assembly for supporting magazine	7315	Spindle and gear—Turntable spindle with gear—25 cycles
3193	Screw—Magazine bearing mounting screw and nut—	7318	Spindle and gear—Turntable spindle with gear—60 cycles
3194	Screw—Pickup arm base mounting screw and nut—	7319	Rotor and shaft—25 cycles
3195	Lever—Record transfer lever	7321	Lever—Cable guide lever with pulley
3196	Screw—Record transfer lever mounting screw and nut—	7322	Lever—Manual Index lever
3197	Escutcheon—Turntable speed escutcheon plate with mounting rivets	7323	Magazine bearing—Located on motor board
3198	Bushing—Insulator rubber bushing—	7324	Pickup arm base
3199	Screw—Bottom plate mounting screw—	7325	Pickup—Pickup unit complete
3200	Shaft—Front or rear elevator shaft	7326	Cover—Turntable cover
3201	Rear elevator pad	7363	Pad—Rubber pad for front elevator
3202	Front elevator pad	7364	Lever—Speed reducing shift lever
3203	Screw—Elevator pad mounting screw—	8646	Slide—Main slide
3204	Cable—Pickup arm cable	8647	Lever—Four finger lever
3205	Screw—Pickup needle holder screw—	8752	Motor—Motor complete—25 cycles
3206	Cover—Pickup cover	8755	Motor—Motor complete—60 cycles
3207	Screw—Pickup cover mounting screw—	8756	Motor board—Motor board with elevator bushings, turntable speed plate and shaft lever
		8757	Arm—Pickup arm complete with weight—Less pickup
		8758	Magazine—Record magazine
		8759	Turntable—Turntable with cover

Models R-67 & R-68 Battery Receivers



ALIGNMENT PROCEDURE

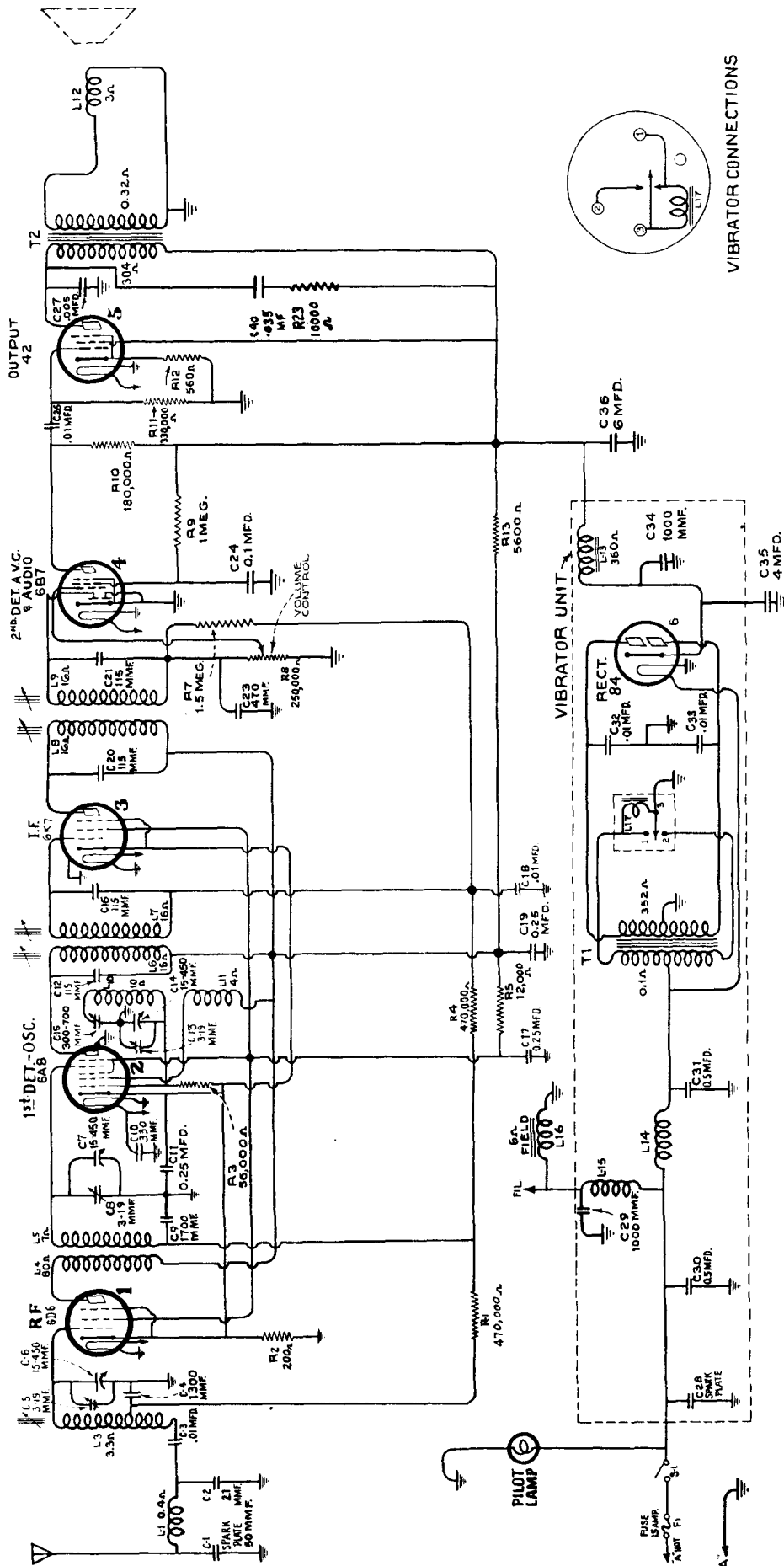
R.F. & Det. Stages 1400 K.C.
 Oscillator Stage 600 K.C., 1400 K.C.
 Intermediate Frequency 175 K.C.
 Align all stages for maximum peak.

REPLACEMENT PARTS — MODELS R-67 & R-68

Insist on genuine factory tested parts, which are readily identified and may be purchased from authorized dealers.

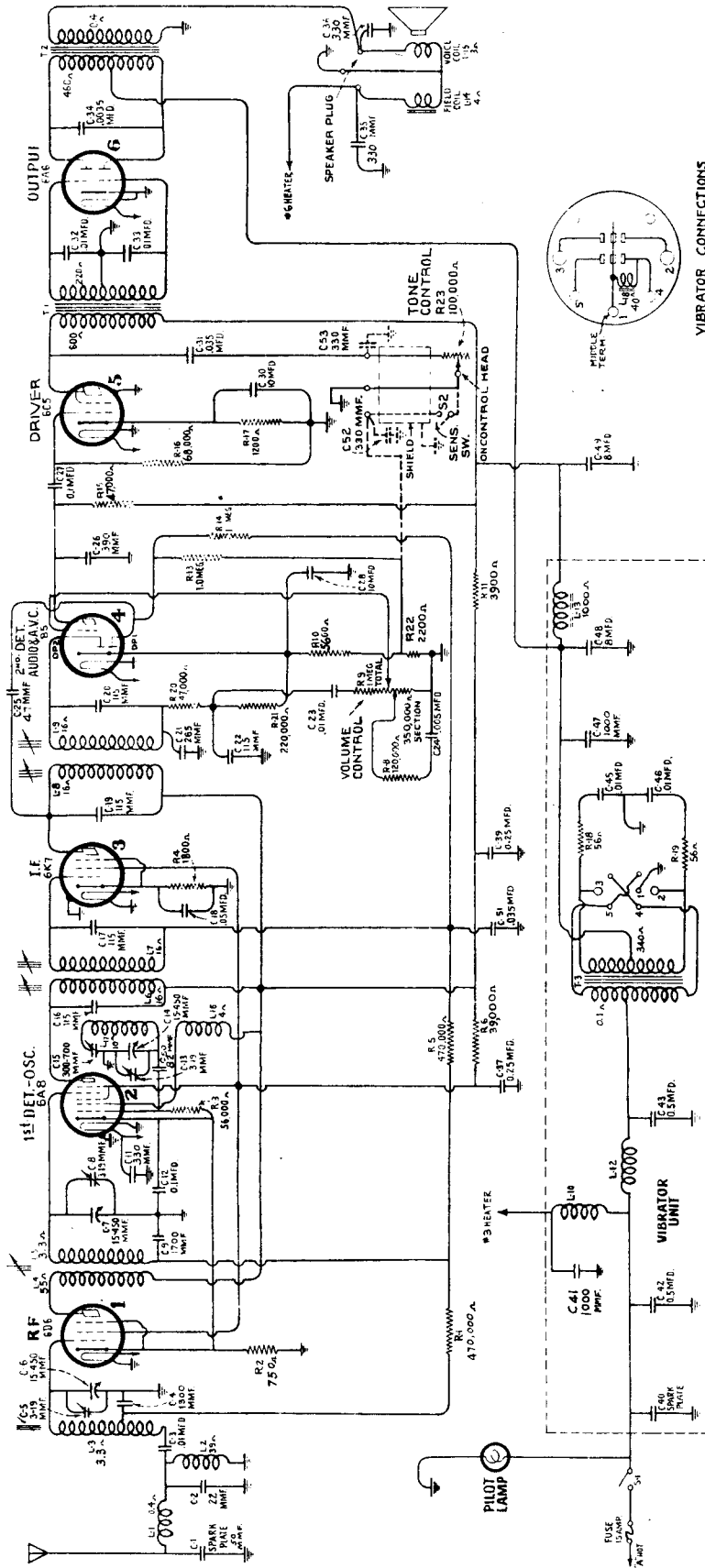
Stock No.	DESCRIPTION	Stock No.	DESCRIPTION
RECEIVER ASSEMBLIES			
		6300	Socket—4 prong Radiotron socket.....
3460	Capacitor—1200 mmfd. capacitor.....	S-1125	Coil—R. F. coil complete with mounting bracket.....
2747	Contact cap—.....	6317	Capacitor—0.05 mfd. capacitor.....
2749	Capacitor—2400 mmfd.....	6320	Capacitor—670 mmfd. capacitor.....
2962	Capacitor—0.005 mfd. capacitor.....	6326	Transformer—1st intermediate frequency transformer.....
3003	Cushion—Sponge rubber chassis support cushions—	6327	Transformer—2nd intermediate frequency transformer.....
3033	Resistor—1 megohm— $\frac{1}{4}$ watt—Carbon type.....	6328	Volume control—Complete with mounting nut.....
3043	Resistor—0.8 ohms—Wire wound.....	6329	Tone control—Complete with mounting nut.....
3085	Capacitor—400 mmfd. capacitor.....	6330	Scale—Tuning dial scale.....
3088	Knob—Operating switch knob—	3056	Shield—Radiotron shield.....
	6332	Switch—Operating switch.....
3238	Screw—Set screw for switch knob No. 3088—	7062	Capacitor—Adjustable trimming capacitor—15 to 70 mmfd.....
3358	Resistor—3,000 ohms— $\frac{1}{2}$ watt—Carbon type.....	S-1137	Drum—Dial drum with set screws.....
3381	Resistor—10,000 ohms— $\frac{1}{4}$ watt—Carbon type.....	7501	Capacitor—3 gang variable capacitor, less drive shaft and drum.....
3382	Resistor—750 ohms— $\frac{1}{2}$ watt—Carbon type.....	7524	Coil—Detector and oscillator coil complete with mounting bracket.....
3383	Resistor—500 ohms— $\frac{1}{2}$ watt—Carbon type.....	7525	Capacitor pack — Comprising one 8.0 mfd., one 0.05 mfd., one 0.1 mfd., one 0.5 mfd., one 0.25 mfd., one 0.75 mfd., two 0.005 mfd., and one 0.025 mfd. capacitors in metal container.....
6176	Escutcheon—Operating switch escutcheon—Engraved "OFF—ON"—	7526	Transformer—Audio input transformer.....
S-1067	Resistor—500,000 ohms— $\frac{1}{4}$ watt—Carbon type.....	7527	Transformer—Audio transformer pack comprising interstage and output transformers in metal container.....
S-1029	Spring—Condenser drive cord tension spring—	7523	Escutcheon—Station selector escutcheon..
6241	Resistor—140,000 ohms— $\frac{1}{4}$ watt—Carbon type.....	REPRODUCER ASSEMBLIES	
6242	Resistor—2 megohm— $\frac{1}{4}$ watt—Carbon type.....	2975	Rivet—Eyelet rivet for mounting cone —
6244	Resistor—700,000 ohms— $\frac{1}{4}$ watt—Carbon type.....	6166	Board—Terminal board with two terminals.....
6245	Resistor—65,000 ohms— $\frac{1}{4}$ watt—Carbon type.....	S-1231	Ring—Cone retaining ring.....
S-1116	Resistor—15,000 ohms— $\frac{1}{2}$ watt—Carbon type.....	S-1232	Bracket—Cone bracket and magnet assembly.....
3530	Choke coil—2nd detector plate choke coil.	8921	Cone—Reproducer cone complete with voice coil.....
S-1123	Knob—Volume control or tone control knob.....		
S-1124	Knob—Station Selector control knob....		
S-1271	Cord—Tuning condenser drive cord—		

Model 67M Automobile Receivers



Schematic Circuit Diagram (Model 67M)

Model 67M2 Automobile Receiver



Schematic Circuit Diagram (Model 67M2)

ALIGNMENT PROCEDURE

Order of Alignment	Test Oscillator			Receiver Dial Setting	Circuit to Adjust	Adjustment Symbols	Adjust to Obtain
	Connection to Receiver	Dummy Antenna	Frequency Setting				
1	6K7 i-f Grid Cap	.001 Mfd.	260 kc	No signal 550-750 kc	2nd i-f Trans.	L9 and L8	Max. (peak)
2	6A8 Det. Grid Cap	.001 Mfd.	260 kc	No signal 550-750 kc	1st i-f Trans.	L7 and L6	Max. (peak)
3	Set End Ant. Cable	175 Mmfd.	600 kc	600 kc	L-F Osc.	C15	Max. (peak)
4	Set End Ant. Cable	175 Mmfd.	1,400 kc	1,400 kc	H-F Osc.	C13	Max. (peak)
5	Set End Ant. Cable	175 Mmfd.	1,400 kc	1,400 kc	Det.	C8	Max. (peak)
6	Set End Ant. Cable	175 Mmfd.	1,400 kc	1,400 kc	Ant.	C5	Max. (peak)
7	Set End Ant. Cable	175 Mmfd.	600 kc	Rock thru 600 kc	L-F Osc.	C15	Max. (peak)
8	Set End Ant. Cable	175 Mmfd.	1,400 kc	1,400 kc	H-F Osc.	C13	Max. (peak)
9	Set End Ant. Cable	175 Mmfd.	1,400 kc	1,400 kc	Det.	C8	Max. (peak)
10	Set End Ant. Cable	175 Mmfd.	1,400 kc	1,400 kc	Ant.	C5	Max. (peak)

REPLACEMENT PARTS MODELS 67M, 67M2 AUTOMOBILE RECEIVERS

Insist on genuine factory tested parts, which are readily identified and may be purchased from authorized dealers.

STOCK No.	DESCRIPTION	STOCK No.	DESCRIPTION
	RECEIVER ASSEMBLIES MODEL 67M ONLY	4840	Capacitor-0.25 Mfd. (C11,C17).....
		12484	Capacitor-0.25 Mfd. (C19).....
		13687	Capacitor-Pack, comprising one 4 Mfd. and one 6 Mfd. sections (C35,C36).....
13543	Bracket-Chassis mounting bracket and stud assembly.....	13695	Capacitor-Pack, comprising 2 sections each .01 Mfd. (C32,C33)....
12118	Cap-Grid contact cap for glass tubes	13685	Coil-Antenna coil and shield (L3)
11350	Cap-Grid contact cap for metal tubes	12235	Coil-Choke coil (L14).....
13689	Capacitor-Adjustable capacitor(C15)	12225	Coil-Oscillator coil less shield (L10,L11).....
13700	Capacitor-22 mfd. (C2).....	13684	Coil-R.F. coil less shield (L4,L5)
11998	Capacitor-115 Mmfd. (C15,C16,C20, C21).....	13371	Condenser-3/gang variable tuning condenser (C5,C6,C7,C8,C13,C14)..
13432	Capacitor-330 Mmfd. (C10).....	12006	Core-Adjustable core and stud for Stock Nos. 13419 and 13693).....
13699	Capacitor-470 Mmfd. (C23).....	12168	Coupling-Station selector flexible shaft coupling.....
12762	Capacitor-1,000 Mmfd. (C29,C34)....	13691	Filter-Antenna filter (L1).....
13701	Capacitor-1,300 Mmfd. (C4).....	13372	Gear-Large gear located on tuning condenser shaft.....
13702	Capacitor-1,700 Mmfd. (C9).....	13373	Gear-Worm gear for tuning condenser
4907	Capacitor-.005 Mfd. (C27).....	12288	Resistor-10,000 ohms, insulated 1/4 watt (R23).....
4883	Capacitor-.01 Mfd. (C3,C18,C26)....		
4841	Capacitor-0.1 Mfd. (C24).....		
5019	Capacitor-0.5 Mfd. (C31).....		
5196	Capacitor-0.035 Mfd. (C-4).....		

REPLACEMENT PARTS MODELS 67M, 67M2 AUTOMOBILE RECEIVERS

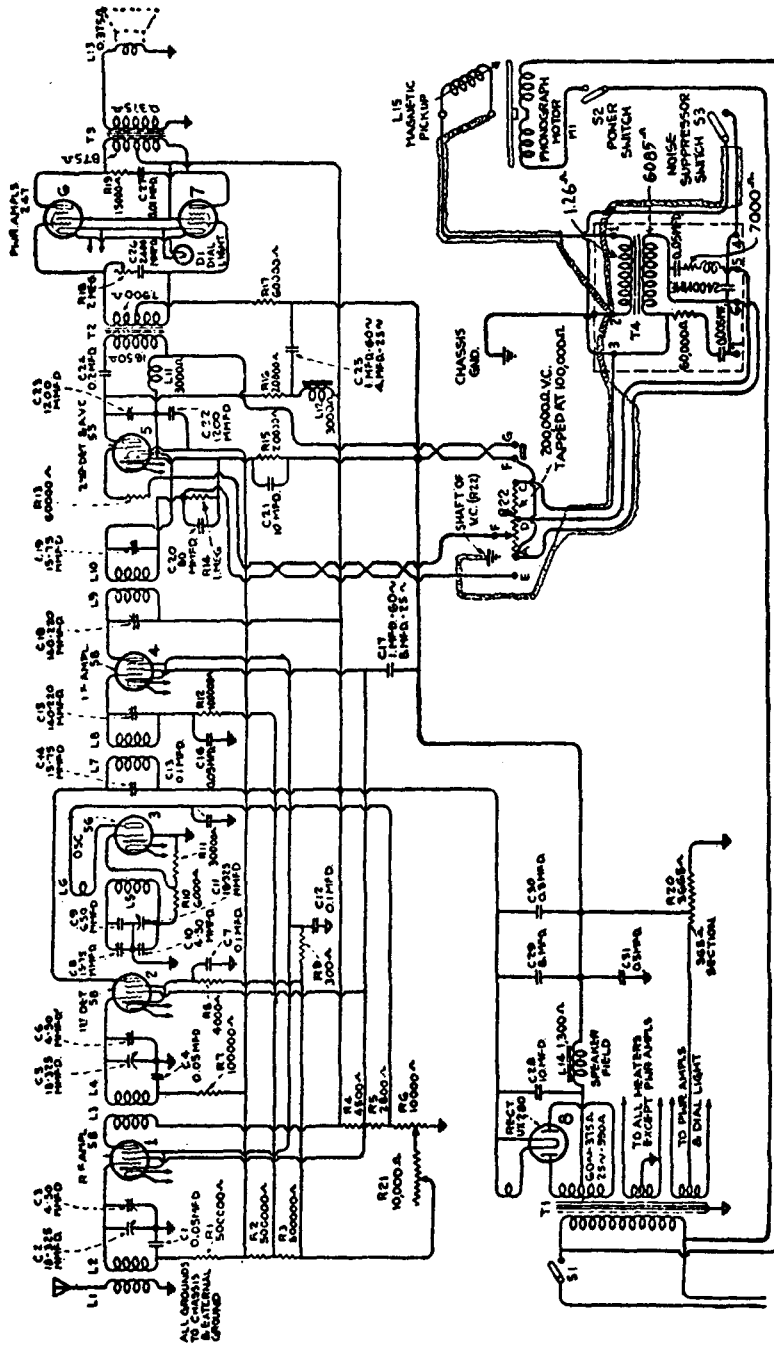
STOCK No.	DESCRIPTION	STOCK No.	DESCRIPTION
13694	Guide-Volume control shaft guide.....	13717	Capacitor-1,700 Mmfd. (C9).....
12485	Pin-Contact pin for speaker leads-	5005	Capacitor-.0035 Mfd. (C34).....
13696	Reactor-Filter reactor, iron core (L13).....	4793	Capacitor-.005 Mfd. (C24).....
13697	Resistor-200 ohms, insulated, $\frac{1}{4}$ watt, (R2).....	5196	Capacitor-.035 Mfd. (C31,C51)....
11845	Resistor-560 ohms, carbon type, 1 watt, (R12).....	4883	Capacitor-.01 Mfd. (C3,C23,C32, C33).....
8097	Resistor-5,600 ohms, carbon type, 2 watts (R13).....	4836	Capacitor-.05 Mfd. (C18).....
3066	Resistor-12,000 ohms, carbon type, 1 watt (R5).....	11414	Capacitor-0.1 Mfd. (C27).....
12286	Resistor-56,000 ohms, insulated, $\frac{1}{4}$ watt (R3).....	4791	Capacitor-0.1 Mfd. (C12).....
13698	Resistor-180,000 ohms, insulated, $\frac{1}{4}$ watt (R10).....	5019	Capacitor-0.5 Mfd. (C43).....
12452	Resistor-330,000 ohms, insulated, $\frac{1}{4}$ watt (R11).....	12237	Capacitor-0.25 Mfd. (C39).....
12285	Resistor-470,000 ohms, insulated, $\frac{1}{4}$ watt (R1).....	12484	Capacitor-0.25 Mfd. (C37).....
11452	Resistor-470,000 ohms, carbon type, 1/10 watt (R4).....	12234	Capacitor-8 Mfd. (C48).....
12200	Resistor-1 megohm, insulated, $\frac{1}{4}$ watt (R9).....	12238	Capacitor pack-Comprising one 8 Mfd. and two 10 Mfd. sections (C28,C30,C49).....
12287	Resistor-1.5 megohms, insulated, $\frac{1}{4}$ watt (R7).....	13695	Capacitor pack-Comprising two sections each .01 Mfd. (C45,C46)
5129	Ring-Radiotron shield ring-	13685	Coil-Antenna coil and shield (L3)
3584	Ring-Retaining ring for R.F. or oscillator coil-	12235	Coil-Choke coil (L12).....
3623	Shield-R.F. or oscillator coil shield	12225	Coil-Oscillator coil less shield (L16,L17).....
12218	Shield-Radiotron shield.....	13712	Coil-R.F. coil and shield (L4,L5)
12008	Shield-Transformer shield for Stock Nos.13419 and 13693.....	13371	Condenser-3/gang variable tuning condenser (C5,C6,C7,C8,C13,C14)..
4814	Socket-5/contact 84 Radiotron socket.	12006	Core-Adjustable core and stud for Stock Nos.12229 and 13419.....
4786	Socket-6/contact 6D6 or 42 Radiotron socket.....	12168	Coupling-Tuning control flexible shaft coupling.....
4787	Socket-7/contact 6B7 Radiotron socket	12239	Filter-Antenna filter (L1,L2,C2).
12227	Socket-8/contact 6A8 or 6K7 Radiotron socket.....	13372	Gear-Large drive gear for tuning condenser shaft.....
13686	Socket-Vibrator socket.....	13373	Gear-Worm gear and mounting brack- et for tuning condenser.....
12007	Spring-Retaining spring for core, Stock No.12006-	13694	Guide-Volume control flexible shaft guide.....
13419	Transformer-First I.F. transformer (L6,L7,C15,C16,R4).....	13111	Reactor-Filter reactor (L13).....
13693	Transformer-Second I.F. transformer (L8,L9,C20,C21).....	5034	Resistor-56 ohms, carbon type, $\frac{1}{2}$ watt (R18,R19).....
13692	Transformer-Output transformer (T2)..	13713	Resistor-750 ohms, insulated, $\frac{1}{4}$ watt (R2).....
13690	Transformer-Vibrator transformer (T1)	12267	Resistor-1,200 ohms, insulated, $\frac{1}{4}$ watt (R17).....
13688	Vibrator-Complete (L17).....	12194	Resistor-1,800 ohms, insulated, $\frac{1}{4}$ watt (R4).....
13420	Volume control (R8).....	13716	Resistor-2,200 ohms, insulated, $\frac{1}{4}$ watt (R22).....
	RECEIVER ASSEMBLIES MODEL 67M2 ONLY	13229	Resistor-3,900 ohms, carbon type, 2 watts (R11).....
13789	Bracket-Chassis mounting bracket and stud assembly.....	13714	Resistor-5,600 ohms, insulated, $\frac{1}{4}$ watt (R10).....
12118	Cap-Grid contact cap for glass tubes-	5176	Resistor-39,000 ohms, carbon type, 1 watt (R6).....
11350	Cap-Grid contact cap for metal tubes-	5132	Resistor-47,000 ohms, carbon type, 1/10 watt (R20).....
13689	Capacitor-Adjustable capacitor (C15).	12412	Resistor-47,000 ohms, insulated, $\frac{1}{4}$ watt (R15).....
13141	Capacitor-47 Mmfd. (C25).....	12286	Resistor-56,000 ohms, insulated, $\frac{1}{4}$ watt (R3).....
12813	Capacitor-82 Mmfd. (C50).....	13715	Resistor-68,000 ohms, insulated, $\frac{1}{4}$ watt (R16).....
13433	Capacitor-115 Mmfd. (C22).....	12355	Resistor-120,000 ohms, carbon type, 1/10 watt (R8).....
11998	Capacitor-115 Mmfd. (C16,C17,C19,C20)	12264	Resistor-220,000 ohms, insulated, $\frac{1}{4}$ watt (R21).....
12761	Capacitor-265 Mmfd. (C21).....	11452	Resistor-470,000 ohms, carbon type, 1/10 watt (R5).....
13432	Capacitor-330 Mfd. (C11,C35,C36,C52, C53).....	12285	Resistor-470,000 ohms, insulated, $\frac{1}{4}$ watt (R1).....
12764	Capacitor-390 Mmfd. (C26).....	12200	Resistor-1 megohm, insulated, $\frac{1}{4}$ watt (R13,R14).....
12762	Capacitor-1,000 Mmfd. (C41,C47).....	5129	Ring-Radiotron shield ring-
13701	Capacitor-1,300 Mmfd. (C4).....	3584	Ring-Retaining ring for oscillator coil-

REPLACEMENT PARTS (Continued)

MODELS 67M, 67M2 AUTOMOBILE RECEIVERS

STOCK No.	DESCRIPTION	STOCK No.	DESCRIPTION
12008	Shield-I.F. transformer shield for Stock Nos. 12229 and 13419.....	13925	Shaft-Tuning control flexible shaft, approximately 24 $\frac{1}{2}$ inches long.....
3623	Shield-Oscillator coil shield.....	13926	Shaft-Volume control flexible shaft, approximately 24 $\frac{1}{2}$ inches long.....
12218	Shield-Radiotron shield.....		Note No. 1-Knobs, escutcheons, and mounting parts are included in kits to be supplied by dealer for particular car in which installation is to be made.
4786	Socket-6/contact 6D6 or 85 Radiotron Socket.....		Note No. 2-If complete control box only is required, order one each of Stock Nos. 13790 and 13791.
12241	Socket-6/contact vibrator socket.....		MISCELLANEOUS ASSEMBLIES
12243	Socket-7/contact 6A6 Radiotron socket...	4289	Body-"A" lead fuse connector female body.....
12227	Socket-8/contact 6A8, 6C5 or 6K7 Radiotron socket.....	13708	Cable-Shielded antenna lead-in, approximately 36 inches long, complete with 2 male connectors.....
12007	Spring-Retaining spring for core Stock No. 12006.....	4288	Cap-Male connector cap for "A" lead.....
12230	Transformer-Audio transformer pack comprising driver and output transformers (T1, T2).....	4293	Capacitor-Ammeter capacitor.....
13419	Transformer-First I.F. transformer (L6, L7, C16, C17, R5).....	5025	Capacitor-Generator capacitor.....
12229	Transformer-Second I.F. transformer (L8, L9, C19, C20, C21, R20).....	4291	Clip-"A" lead ammeter clip.....
12231	Transformer-Vibrator transformer (T3)...	13710	Connector-Antenna lead connector assembly located on receiver housing.
12236	Vibrator-Complete (L18).....	13705	Cover-Receiver housing top cover, less speaker grille (67M Only).....
13711	Volume control (R9).....	13802	Cover-Receiver housing top cover (67M2 Only).....
	REPRODUCER ASSEMBLIES-MODEL 67M ONLY	13706	Cover-Receiver housing bottom cover (67M Only).....
13703	Cone-Reproducer cone and dust cap (L12).	13803	Cover-Receiver housing bottom cover (67M2 Only).....
9772	Reproducer complete.....	13707	Fastener-Receiver housing top cover fastener.....
	Note No. 1-Field coil (L16) cannot be replaced separately.	4286	Ferrule-Ferrule and bushing for "A" lead connector.....
	REPRODUCER ASSEMBLIES-DASH SPEAKER MODEL 67M2 ONLY	5023	Fuse-"A" lead fuse, 15 amp.
13794	Cable-3/conductor shielded reproducer cable, approximately 18 inches long, complete with 3/contact male connector...	13709	Grille-Speaker grille assembly (67M Only).....
13795	Coil-Reproducer field coil (L14).....	13704	Housing-Receiver housing complete, less speaker grille (67M Only).....
13796	Cone-Reproducer cone and dust cap (L15).	13801	Housing-Receiver housing complete (67M2 Only).....
11984	Connector-3/contact male connector for reproducer cable.....	4290	Insulator-Fuse connector insulating sleeve.....
13793	Housing-Reproducer housing complete, less speaker unit and cable.....	12445	Lead-"A" lead (set end), approximately 8 inches long, complete with section of connector.....
9774	Reproducer-Speaker unit only, less case, cable and mounting parts.....	7766	Lead-"A" lead (ammeter end) complete with female section of fuse connector and ammeter clip.....
13797	Screw-Reproducer housing screw.....	13805	Plate-RCA monogram for receiving housing-(67M2 Only).....
	CONTROL BOX & FLEXIBLE SHAFT ASSEMBLIES-MODEL 67M	13806	Ring-Rubber ring for dash speaker mounting-(67M2 only).....
13719	Box-Control box, tuning section only, less knob, flexible shaft and dial scale....	12252	Screw-No. 8 self-tapping hex head screw, used on receiver housing.....
13720	Box-Control box, volume control shaft and switch section only, less knob and flexible shaft.....	13804	Socket-Socket and bracket assembly, comprising one 3/contact socket for reproducer cable and one 4/contact socket for tone and sensitivity cable, both mounted on supporting bracket-(67M2 Only).....
13718	Dial-Station selector dial.....	4284	Spring-Tension spring for "A" lead connector.....
11765	Lamp-Control box dial lamp.....	12448	Std-Receiver mounting stud assembly, comprising one stud, one washer, one lockwasher, one nut.....
13925	Shaft-tuning control flexible shaft, approximately 24 $\frac{1}{2}$ inches long.....	12254	Stud-Dash speaker mounting stud assembly, comprising one stud, one spacer, two lockwashers and one nut (67M2 Only).....
13926	Shaft-Volume control flexible shaft, approximately 24-3/4 inches long.....	5024	Suppressor-Distributor suppressor.....
	Note No. 1-Knobs, escutcheon, and mounting parts are included in kits to be supplied by dealer for particular car in which installation is to be made.	4285	Washer-Insulating washer for "A" lead connector.....
	Note No. 2-If complete control box only is required, order one each of Stock No. 13719 and Stock No. 13720.		
	CONTROL BOX AND FLEXIBLE SHAFT ASSEMBLIES MODEL 67M2 ONLY		
13790	Box-Control box, tuning and sensitivity switch section only, less tuning control knob and dial scale.....		
13791	Box-Control box, volume control, tone control and operating switch section, less volume control knob.....		
13792	Cable-3/conductor shielded sensitivity and tone control cable, approximately 26 inches long, complete with 4/contact male connector.....		
13718	Dial-Station selector dial scale.....		
11765	Lamp-Dial lamp.....		

Model RE-80 RCA Victrola



ALIGNMENT PROCEDURE

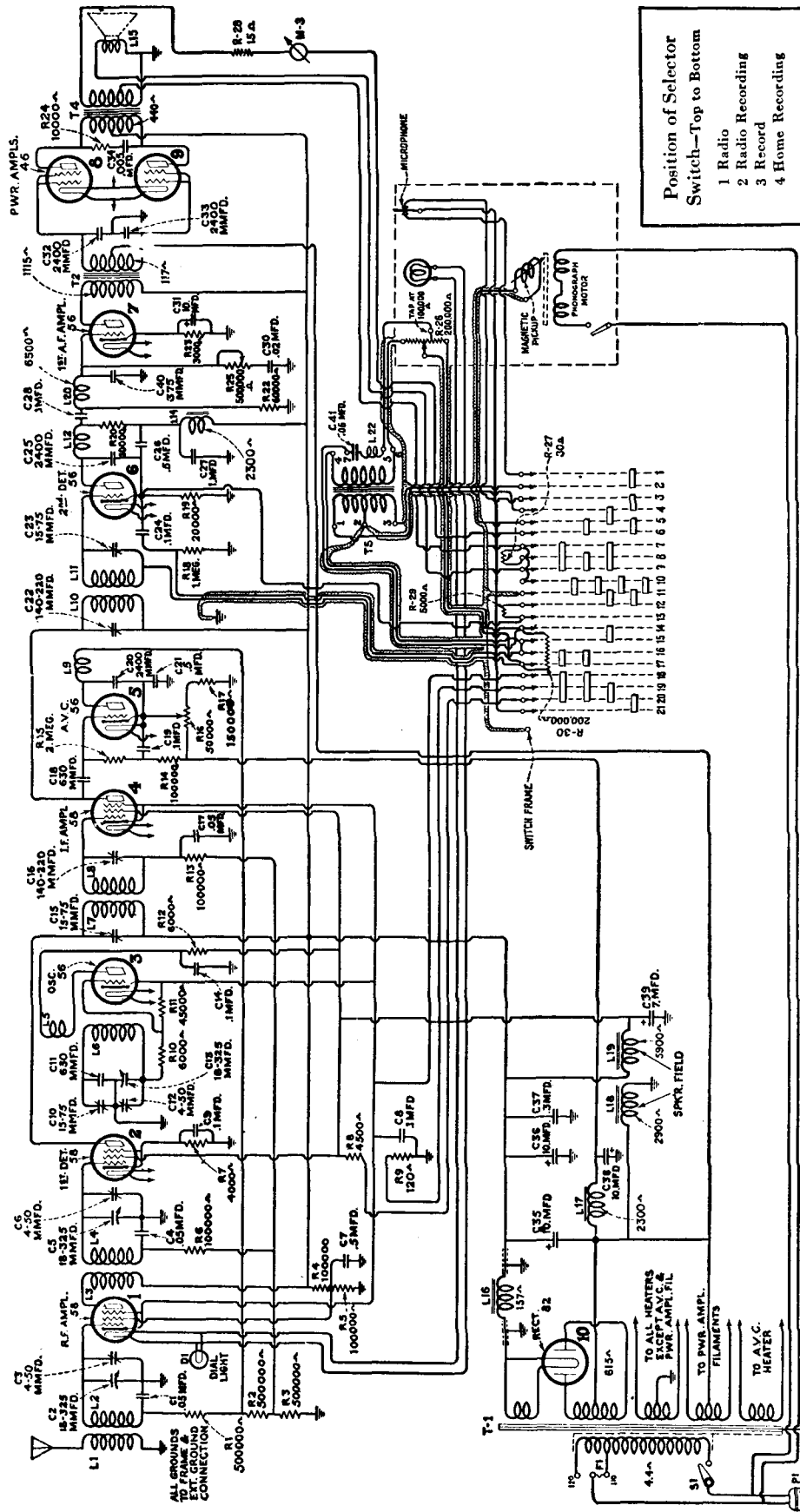
R.F. & Det. Stages1400 K.C.
 Oscillator Stage600 K.C., 1400 K.C.
 Intermediate Frequency175 K.C.
 Align all stages for maximum peak.

REPLACEMENT PARTS — MODEL RE-80

Insist on genuine factory tested parts, which are readily identified and may be purchased from authorized dealers.

Key No.	Stock No.	DESCRIPTION	Key No.	Stock No.	DESCRIPTION	
RECEIVER ASSEMBLIES						
C-26	2746	Socket—Dial lamp socket	S-3	10184	Plate—Automatic brake latch trip plate with mounting screws—	
	2747	Cap—Contact cap		3224	Switch—Scratch filter switch—Toggle type	
	2749	Capacitor—2,400 mmfd. capacitor	L-15	PICKUP, PICKUP ARM ASSEMBLIES		
	3003	Cushion—Sponge rubber chassis support cushions—		3385	Coil—Pickup coil	
	R-1 } R-2 } R-3 }	3048		Resistor—500,000 ohms—Carbon type—1/2 watt	3386	Cover—Pickup cover
	R-14 } R-11 } R-7 } R-12 }	3076		Resistor—1 megohm—Carbon type—1/2 watt	3387	Screw assembly—Pickup mounting screw assembly comprising one screw, one nut and one washer—
	R-4 }	3077		Resistor—30,000 ohms—1/2 watt—Carbon type	3388	Screw—Pickup needle holding screw—
	L-11 } C-24 }	S-1016		Resistor—100,000 ohms—1/2 watt—Carbon type	3389	Rod—Automatic brake trip rod with lock nut—
	C-27 } C-1 } C-4 } C-16 } R-20 }	3369		Resistor—4,500 ohms—Porcelain type—20 watt	3390	Escutcheon—Pickup arm escutcheon complete with mounting rivets
	R-5 } C-20 } C-22 } C-23 }	3449		Coil—Choke coil mounted on resistor board	3417	Armature—Pickup armature
R-9 } R-10 }	3450	Capacitor—0.2 mfd. mounted on resistor board	3418	Cushions—Pickup rubber cushions—Comprising one damper and two spacer cushions and one damper bushing		
R-19 } R-13 } R-17 }	6302	Bracket—Dial lamp bracket and indicator	3419	Screw—Pickup cover mounting screw—		
L-12 } R-15 } R-16 }	3455	Capacitor—0.01 mfd.	6335	Pickup—Pickup unit complete		
C-8	3456	Capacitor—0.05 mfd.	6346	Back—Pickup housing back		
	3457	Resistor—Porcelain type—3,665 ohms—Tapped at 365 ohms	7579	Arm—Pickup arm complete less escutcheon, pickup, pickup mounting screw, nut and washer		
	3458	Resistor—2,800 ohms—Carbon type—1/2 watt	TURNTABLE ASSEMBLIES			
	3459	Capacitor—80 mmfd. capacitor	3338	Ring — Clamp ring assembly — Comprising spring, latch lever and stud		
	3460	Capacitor—1,200 mmfd. capacitor	3340	Washer—Thrust washer		
	3468	Resistor—300 ohms—Flexible type	3341	Pin—Groove-Pin		
	S-1113	Resistor—6,000 ohms—1/2 watt—Carbon type	3342	Spring—Latch spring—Located on clamping ring		
	S-1029	Spring—3 gang tuning capacitor drive cord tension spring—	3343	Sleeve—Sleeve complete with ball race		
	S-1116	Resistor—15,000 ohms—1/2 watt—Carbon type	3344	Cover—Grease retainer cover		
	S-1121	Resistor—60,000 ohms—Carbon type—1/2 watt	3346	Bushing—Speed shifter lever bushing		
S-1270	Knob—Tone control, volume control or noise suppressor knob	3347	Spring—Speed shifter lever spring			
S-1271	Cord—3 gang variable tuning capacitor drive cord—	3399	Lever—Speed shifter lever with mounting screws			
6300	Socket—4 contact Radiotron socket	8948	Turntable—Complete			
S-1282	Reactor—Filter reactor	MOTOR ASSEMBLIES				
S-1283	Resistor—20,000 ohms—1/2 watt—Carbon type	3398	Motor mounting washer assembly—Comprising 2 cup washers, 4 springs and 1 "C" washer—			
1278	Coil—R. F. coil	7389	Rotor and shaft for 105-125 volts, 60 cycle motor			
6323	Shaft—Tuning condenser drive shaft with one flat washer and two "C" washers—	7443	Rotor and shaft for 105-125 volts, 25 cycle motor			
6367	Transformer—First intermediate frequency transformer	8939	Motor—Motor complete 105-125 volts—60 cycle			
6368	Transformer—Second intermediate frequency transformer	M-1	8941	Motor—Motor complete 105-125 volts—25 cycle		
R-6 } R-21 } R-18 }	6369	Volume control—Complete with mounting nut	8945	Spindle—Turntable spindle with fibre gear for 60 cycle motor		
6370	Tone control—Complete with mounting nut	8947	Spindle—Turntable spindle with fibre gear for 25 cycle motor			
7054	Cord—Power cord	REPRODUCER ASSEMBLIES				
7062	Capacitor—Adjustable trimming capacitor—Capacity 15 to 70 mmfd.	3237	Screw assembly—Comprising 4 screws, 8 nuts, 4 washers, and 4 eyelets—			
S-1137	Drum—Dial drum with 3 dial mounting nuts	S-1284	Board—Terminal board complete with 2 terminals—			
S-1275	Scale—Dial and dial scale	6371	Transformer—Output transformer			
S-1296	Coil—Detector and oscillator coil	8920	Ring—Cone retaining ring			
S-1150	Socket—UY type Radiotron socket	8935	Cone—Reproducer cone complete with voice coil			
S-1151	Socket—6 contact Radiotron socket	L-14	9421	Coil assembly—Comprising field coil, magnet and cone support		
7501	Capacitor—3 gang variable tuning capacitor complete with mounting screws and washers	MISCELLANEOUS PARTS				
S-1140	Shield—Radiotron tube shield	S-1270	Knob—Selector switch and volume control knob			
S-1141	Shield—Radiotron tube shield top	6385	Volume control—Phonograph volume control and selector switch			
T-2	7549	Transformer—Interstage audio transformer	6386	Cable—3 conductor shielded cable—From phonograph to volume control and input transformer pack		
7550	Capacitor pack—Comprising two 10.0 mfd., one 8.0 mfd., one 0.3 mfd., two 1.0 mfd., one 0.5 mfd., and three 0.1 mfd. capacitors in metal container—For 60 cycle operation	7572	Transformer pack—Comprising input transformer, reactor, capacitors and resistor in metal container			
T-1	7551	Transformer—Power transformer—105-125 volts—50-60 cycles				
T-1	7556	Transformer—Power transformer—105-125 volts—25-30 cycles				
	7564	Capacitor pack—Comprising two 10.0 mfd., two 8.0 mfd., one 0.3 mfd., one 4.0 mfd., one 0.5 mfd. and three 0.1 mfd. capacitors in metal container—For 25 cycle operation				
	S-1269	Knob—Station selector knob				
MOTOR BOARD ASSEMBLIES						
S-2	2947	Leather—Friction leather—				
	3322	Switch—Automatic brake switch with mounting screws				
	3391	Suspension spring and washer assembly for motor board—Comprising 1 bolt, 1 top spring, 1 bottom spring, 1 "C" washer, 2 cup washers and 1 nut—	R-22	6386	Transformer pack—Comprising input transformer, reactor, capacitors and resistor in metal container	
	3396	Receptacle—Needle receptacle with mounting screws				
	3430	Box—Needle box with lid	T-4	7572	Transformer pack—Comprising input transformer, reactor, capacitors and resistor in metal container	
10174	Springs—Automatic brake springs—					

RCA Victrola Model RE-81



Position of Selector Switch—Top to Bottom

- 1 Radio
- 2 Radio Recording
- 3 Record
- 4 Home Recording

ALIGNMENT PROCEDURE

R.F. & Det. Stages	1400 K.C.
Oscillator Stage	600 K.C., 1400 K.C.
Intermediate Frequency	175 K.C.
Align all stages for maximum peak.	

Figure 1—Schematic Diagram of RE-81

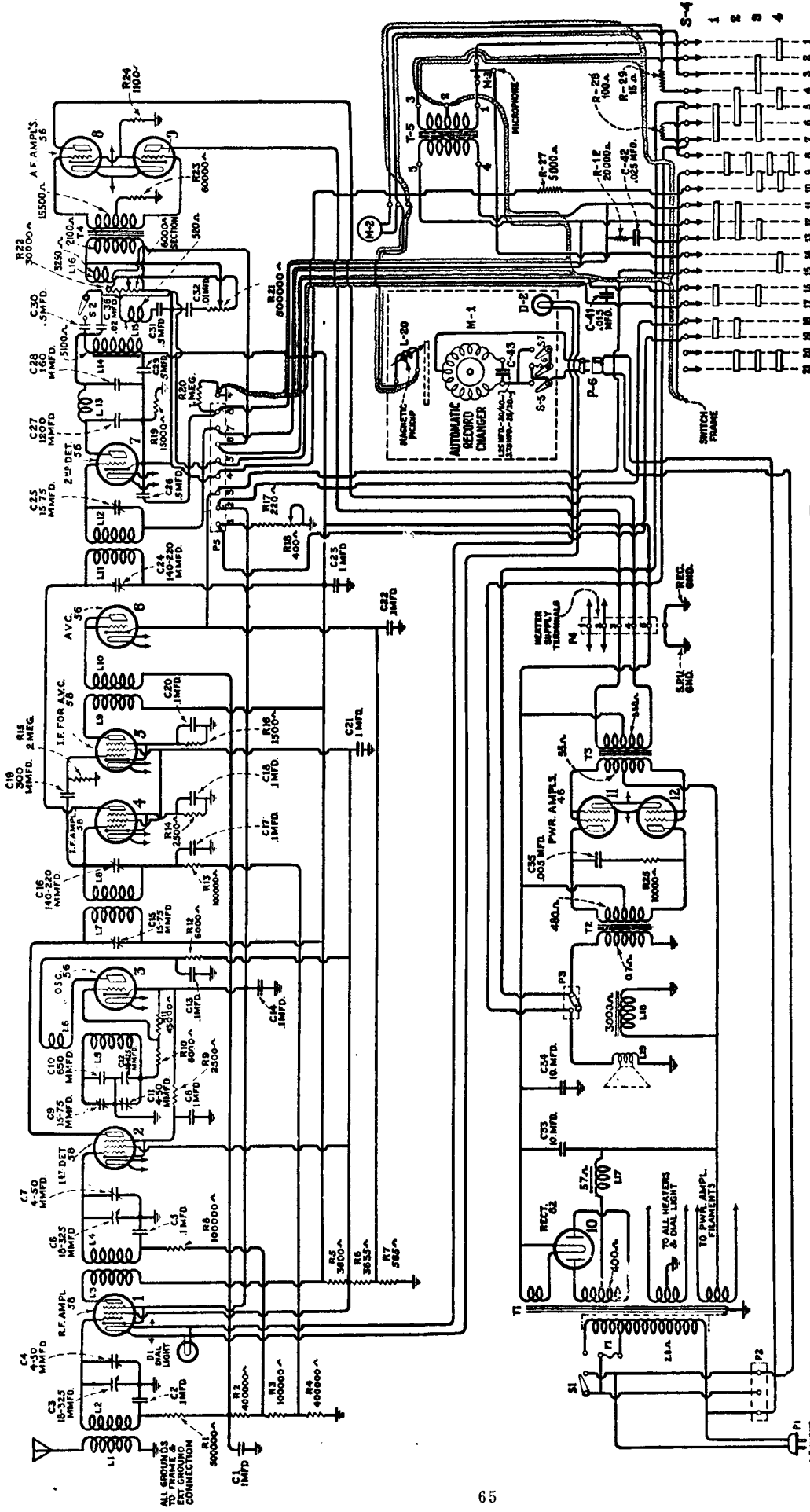
REPLACEMENT PARTS—MODEL RE-81

No. Stock	DESCRIPTION	No. Stock	DESCRIPTION
RECEIVER ASSEMBLIES			
2725	Fuse — 1.5 ampere — Cartridge type fuse—	S-1125	Coil—R. F. coil complete with mounting bracket.
2731	Resistor—10,000 ohms—Carbon type resistor—1 watt—	S-1131	Resistor—45,000 ohms—Carbon type —½ watt—
2746	Socket—Dial lamp socket.	6317	Capacitor—0.05 mfd. capacitor.
2747	Cap—Contact cap—	6322	Volume control — Complete with mounting nut.
2749	Capacitor—2,400 mmfd. capacitor.	S-1165	Cord—Power cord.
3048	Resistor—500,000 ohms—Carbon type —½ watt—	7062	Capacitor—Adjustable tuning capacitor 15 to 70, mmfd.
3055	Cushion — Sponge rubber chassis cushion support—	S-1137	Drum—Dial drum with set screws and 3 dial mounting nuts.
3056	Shield—Radiotron tube shield—	S-1138	Scale—Dial and dial scale.
3076	Resistor—1 megohm—Carbon type—½ watt—	S-1150	Socket—UY type Radiotron socket—6 used.
3077	Resistor—30,000 ohms—Carbon type—½ watt—	S-1151	Socket—6 contact socket—4 used.
3099	Capacitor—0.005 mfd. capacitor.	S-1140	Shield—Radiotron tube shield—6 used —Plain finish.
S-1016	Resistor—100,000 ohms—Carbon type resistor—½ watt—	S-1141	Shield — Tube shield top —1 used — Plain finish.
3358	Resistor—3,000 ohms—Carbon type—½ watt—	7501	Capacitor — 3 gang variable tuning capacitor complete with mounting screws and washers.
3359	Resistor—120 ohms—Flexible wire type —	7504	Coil—Detector and oscillator coil complete with mounting bracket.
3360	Resistor—150,000 ohms—Carbon type —½ watt—	7512	Reactor—Detector plate reactor.
3368	Socket—UX type Radiotron socket.	7513	Capacitor pack—Comprising five 0.1 mfd., three 0.5 mfd., one 7.0 mfd., four 10.0 mfd., one 0.3 mfd., and one 1.0 mfd., capacitors in metal container.
3369	Resistor—4,500 ohms—Porcelain type —20 watt.	7514	Transformer—1st intermediate frequency transformer.
3370	Capacitor—0.02 mfd. capacitor.	7515	Transformer — 2nd intermediate frequency transformer.
3372	Cover—Fuse cover.	7516	Board—Resistor board—Less resistors and capacitors.
3373	Board—Terminal board—1 terminal and insulator.	7517	Shield—Metal shield—Located under power transformer and Radiotron 82 complete with capacitor.
3374	Reactor—A. V. C. filter reactor.	7518	Reactor—Filter reactor.
3376	Mounting board—Fuse mounting board complete with mounting screws and lock washers—Less fuse.	7519	Transformer—Audio input transformer.
3377	Coil—Choke coil.	7521	Reactor—Tone compensating reactor.
3378	Capacitor — 375 mmfd. capacitor —	7522	Tone control—Complete with mounting nut.
3384	Capacitor—630 mmfd. oscillator series capacitor—	8932	Transformer—Power transformer 105-125 volts—50-60 cycles.
S-1113	Resistor—6,000 ohms—Carbon type—½ watt—	8933	Transformer—Power transformer 105-125 volts—25-50 cycles.
S-1067	Resistor—500,000 ohms—Carbon type —½ watt—	S-1034	Escutcheon—Station selector escutcheon.
S-1032	Resistor—2 megohm—Carbon type ½ watt—	REPRODUCER ASSEMBLIES	
S-1029	Spring—3 gang tuning capacitor drive cord tension spring—	3237	Screw assembly—Comprising 4 screws, 8 nuts, 4 washers, and 4 eyelets—
6250	Resistor—4,000 ohms—Carbon type ½ watt—	6184	Board—Terminal board with 3 terminals—
S-1115	Capacitor — 0.1 mfd. capacitor — Located on metal shield.	6334	Transformer—Output transformer.
S-1121	Resistor—60,000 ohms—Carbon type —½ watt—	8920	Ring—Cone retaining ring.
S-1269	Knob—Station selector knob—	8935	Cone — Reproducer cone complete —
S-1270	Knob—Volume or tone control knob —	9420	Coil assembly—Comprising field coil, cone bracket and magnet.
S-1128	Cord—3 gang tuning capacitor drive cord—		
6302	Bracket—Dial lamp bracket and indicator—		
6303	Resistor—20,000 ohms—Carbon type—½ watt—		

REPLACEMENT PARTS—MODEL RE-81 Continued

No. Stock	DESCRIPTION	No. Stock	DESCRIPTION
	MOTOR BOARD ASSEMBLIES	3389	Rod—Automatic brake trip rod with lock nut—
2779	Pointer—Selector switch pointer—	3390	Escutcheon—Pick up arm escutcheon complete with mounting rivets
2947	Leather—Friction leather—	3397	Resistor — 15 ohm — Flat type — Volume indicator meter series resistor
3021	Resistor—5,000 ohms—Carbon type— $\frac{1}{2}$ watt—	3417	Armature—Pickup armature
3116	Resistor—200,000 ohms—Carbon type $\frac{1}{2}$ watt—	3418	Cushions—Pickup rubber cushions— Comprising one damper and two spacer cushions and one damper bushing—
3322	Switch—Automatic brake switch with mounting screws	3419	Screw—Pickup cover mounting screw—
3391	Suspension spring and washer assembly for motor board—Comprising 1 bolt, 1 top spring, 1 bottom spring, 1 "C" washer, 2 cup washer and 1 nut.	6335	Pickup—Pickup unit complete
3392	Spacer—Volume control spacer block.	6336	Weight—Home recording weight
3393	Spacer—Selector control switch spacer block	6346	Back—Pickup housing back
3394	Socket—Socket and base assembly— Less shade—For compartment lamp	7530	Arm — Pickup arm complete less escutcheon, pickup, pickup mounting screw, nut and washer
3395	Shade—Compartment lamp shade.	7532	Meter—Home recording volume indicator meter
3396	Receptacle — Needle receptacle with mounting screws	7533	Mechanism — Microphone mechanism less housing
3400	Resistor—30 ohms—Carbon type— $\frac{1}{4}$ watt—	7534	Cords—Microphone cord
3430	Box—Needle box with lid		TURNTABLE ASSEMBLIES
S-1269	Knob—Selector switch or volume control knob—	3338	Ring—Clamp ring assembly—Comprising spring, latch lever and stud
6337	Volume control — Complete with mounting nut	3340	Washer—Thrust washer—
6338	Switch—Selector control switch complete—Less knob	3341	Pin—Groove Pin—
6339	Escutcheon—Selector switch escutcheon	3342	Spring—Latch spring—Located on clamping ring—
7529	Transformer pack — Comprising phonograph input transformer, reactor and capacitor assembly	3343	Sleeve—Sleeve complete with ball race
7531	Cable—Selector switch, volume control, terminal strip, volume indicator meter phonograph input transformer and reproducer output transformer connecting cable	3344	Cover—Grease retainer cover—
10174	Springs—Automatic brake springs—	3346	Bushing—Speed shifter lever bushing —
10184	Plate—Automatic brake latch trip plate with mounting screws—	3347	Spring—Speed shifter lever spring—
		3399	Lever—Speed shifter lever with mounting screws
		8948	Turntable—Complete
	PICKUP, PICKUP ARM, MICROPHONE AND VOLUME INDICATOR ASSEMBLIES		MOTOR ASSEMBLIES
3216	Cushion—Microphone rubber cushions	3398	Motor mounting washer assembly— Comprising 2 cup washers, 4 springs and 1 "C" washer—
3385	Coil—Pickup coil	7389	Rotor and shaft for 105-125 volts, 60 cycle motor
3386	Cover—Pickup cover	7443	Rotor and shaft for 105-125 volts, 25 cycle motor
3387	Screw assembly — Pickup mounting screw assembly comprising 1 screw, 1 nut and 1 washer—	8939	Motor—Motor complete 105-125 volts —60 cycle
3388	Screw—Pickup needle holding screw—	8941	Motor—Motor complete 105-125 volts —25 cycle
		8945	Spindle—Turntable spindle with fibre gear for 60 cycle motor
		8947	Spindle—Turntable spindle with fibre gear for 25 cycle motor

Model RAE-84 RCA Victrola



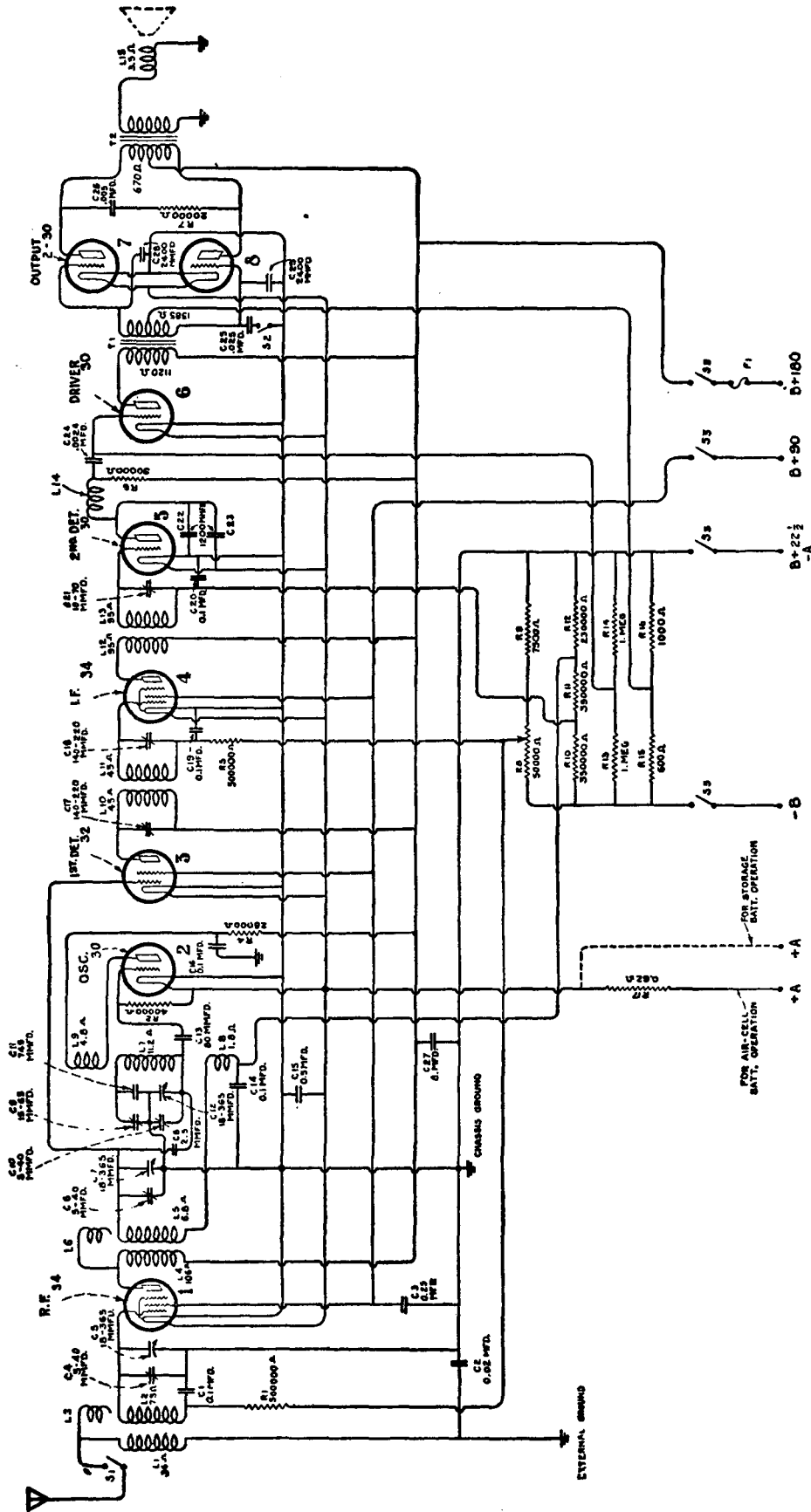
ALIGNMENT PROCEDURE

R.F. & Det. Stages 1400 K.C.
 Oscillator Stage 600 K.C., 1400 K.C.
 Intermediate Frequency 175 K.C.
 Align all stages for maximum peak.

REPLACEMENT PARTS—MODEL RAE-84 (Continued)

Stock No.	DESCRIPTION	Stock No.	DESCRIPTION
3498	Lever—Speed shifter lever with mounting screws	7532	Meter—Home recording volume indicator meter
3499	Bushing—Speed shifter lever bushing	7533	Mechanism—Microphone mechanism—Less housing
S-1269	Knob—Selector control switch knob	7534	Cord—Microphone cord
6345	Lever—Record transfer lever assembly complete	7538	Arm—Pickup arm complete less escutcheon, pickup, pickup mounting screw and washer
7535	Switch—Selector control switch complete, less knob and escutcheon		
TURNTABLE ASSEMBLIES		MOTOR ASSEMBLIES	
3338	Ring—Clamp ring assembly—Comprising spring latch lever and stud	6389	Capacitor—Motor capacitor—2.0 mfd.—For 60 cycle motor No. 56933-1
3340	Washer—Thrust washer	7330	Capacitor—Motor capacitor—3.75 mfd.—For 25 cycle motor
3341	Pin—Groove Pin	8644	Capacitor—Motor capacitor—1.25 mfd.—For 60 cycle motor No. 57035-2
3411	Sleeve—Sleeve assembly complete with ball race	8952	Motor—Motor complete—105-125 volts—60 cycles
8950	Turntable—Turntable complete	8953	Motor—Motor complete—105-125 volts—25 cycles
MAGAZINE ASSEMBLIES		8955	Rotor and shaft for 60 cycle motor
2900	Screw—Magazine lever set screw	8957	Rotor and shaft for 25 cycle motor
3210	Lever—Magazine lever	8958	Spindle—Turntable spindle with fibre gear for 60 cycle motor
J172	Washer—Metal Washer located under record magazine	8960	Spindle—Turntable spindle with fibre gear for 25 cycle motor
8951	Magazine—Record magazine		
PICKUP, ARM, MICROPHONE AND VOLUME INDICATOR ASSEMBLIES		MISCELLANEOUS PARTS	
3183	Socket—Microphone socket	2737	Escutcheon—Operating switch escutcheon
3204	Cable—Pickup arm cable	2857	Plug—Three prong (male section) connector plug for power cable
3215	Plug—Microphone cord plug	3173	Plug—Three prong (female section)—connector plug for power cable
3216	Cushion—Microphone rubber cushion	3413	Resistor—5,000 ohms—Carbon type—1/2 watt
3385	Coil—Pickup coil	3414	Resistor—15 ohms—Porcelain type—20 watt
3386	Cover—Pickup cover	3415	Receptacle—Needle receptacle
3387	Screw assembly—Pickup mounting screw assembly, comprising one screw, one nut and one washer	3416	Box—Needle box with lid
3388	Screw—Pickup needle holding screw	7362	Capacitor—0.025 mfd.
3389	Rod—Automatic brake trip rod with lock nut	3433	Capacitor—0.015 mfd.
3390	Escutcheon—Pickup arm escutcheon complete with mounting rivets	3432	Resistor—100 ohms—Carbon type—1/4 watt—Located on selector switch
3412	Board—Volume indicator meter and pickup terminal board	6292	Switch—Operating switch—Toggle type located on side of cabinet
3417	Armature—Pickup armature	6303	Resistor—20,000 ohms—Carbon type—1/2 watt
3418	Cushions—Pickup rubber cushions—Comprising one damper, two spacer cushions and 1 damper bushing	6348	Cable—Three conductor power cable
3419	Screw—Pickup cover mounting screw	6349	Cable—Shielded two conductor cable—From selector switch and resistor board to indicator meter and pickup terminal board
6335	Pickup—Pickup unit complete	7312	Transformer—Phonograph input transformer
6336	Weight—Home recording weight	7536	Cable—Braid covered interconnecting cable from receiver terminal strip to phonograph input transformer, S.P.U. terminal strip, selector switch and resistor board assembly
6346	Back—Pickup housing back		

Models R-87 & R-88 Battery Receivers



Schematic Circuit Diagram

ALIGNMENT PROCEDURE

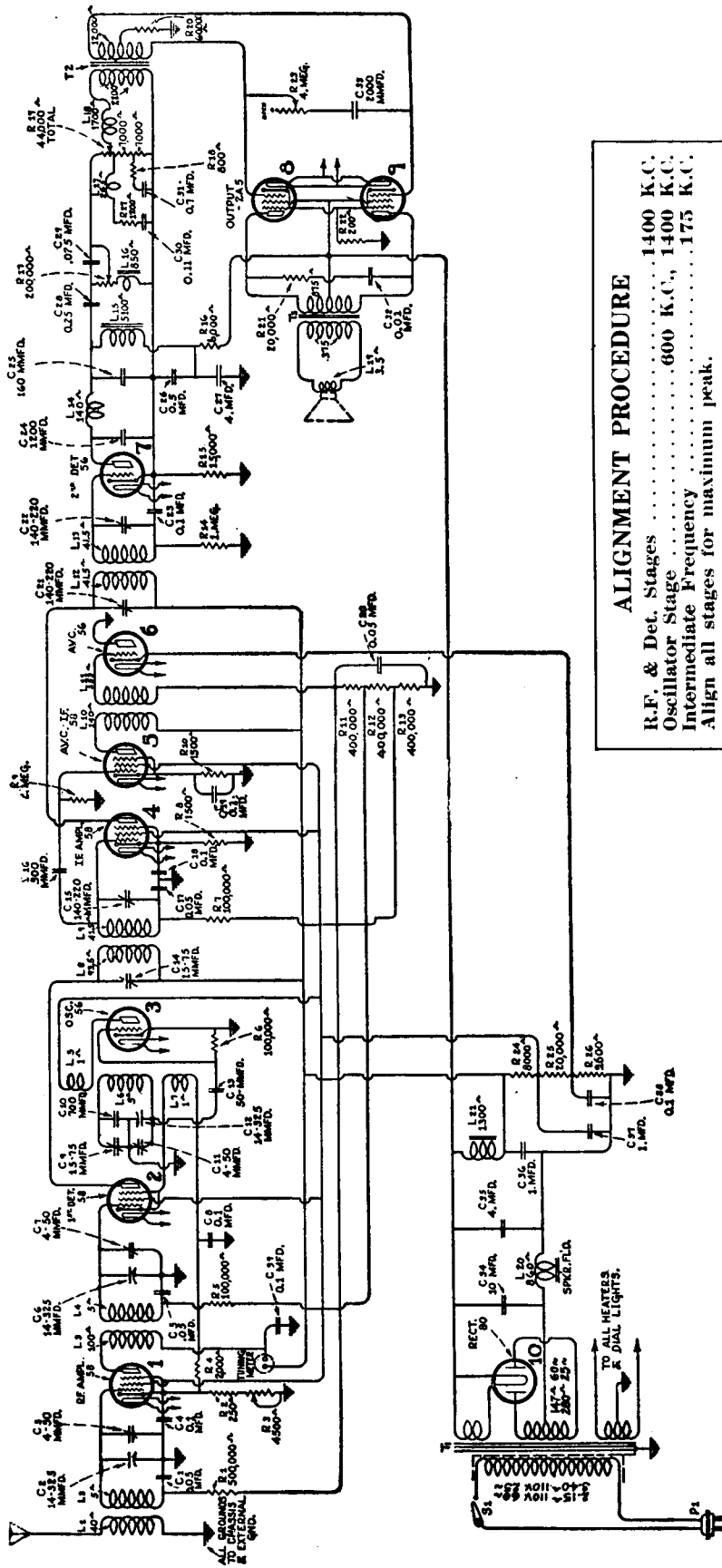
R.F. & Det. Stages 1400 K.C.
 Oscillator Stage 600 K.C., 1400 K.C.
 Intermediate Frequency 175 K.C.
 Align all stages for maximum peak.

REPLACEMENT PARTS — MODELS R-87 & R-88

Insist on genuine factory tested parts, which are readily identified and may be purchased from authorized dealers.

Symbol No.	Stock No.	DESCRIPTION	Symbol No.	Stock No.	DESCRIPTION
RECEIVER ASSEMBLIES					
R-4	S-1178	Resistor 28,000 ohms—carbon type —1 watt.....	R-9	3945	Resistor—7,500 ohms—carbon type ½ watt.....
R-16	S-1325	Resistor 1,000 ohms—carbon type —½ watt.....	R-12	3946	Resistor — 230,000 ohms — carbon type—½ watt.....
C-25	S-1357	Capacitor—.025 mfd.....	R-11	3947	Resistor — 390,000 ohms — carbon type—½ watt.....
R-13	S-1365	Resistor—1 megohm—carbon type —½ watt.....	R-10	3948	Resistor — 350,000 ohms — carbon type—½ watt.....
R-14		Capacitor—1.200 mmfd.....	S-1415		Shield—Radiotron tube shield—2nd detector.....
C-22	S-1366	Capacitor—745 mmfd. capacitor....		6176	Escutcheon—Operating switch escutcheon—
C-23		Escutcheon — Local distance switch escutcheon —	R-7	6300	Socket—4 contact radio tube socket..
C-11	2734	Cap.—Contact cap —		6303	Resistor—20,000 ohms—carbon type —½ watt.....
R-1	3048	Resistor 500,000 ohms—carbon type ½ watt.....		6489	Coil—Antenna coil.....
		R-5	3056	Shield — Radiotron tube shield— R.F., I.F. or 1st Detector.....	C-27
	3088	Knob—Operating switch knob,	C-15	6548	Capacitor—8 mfd.....
	3238	Screw—Set screw for switch knob —	T-2	6604	Capacitor—.5 mfd.....
	3472	Capacitor—2,400 mmfd. capacitor....	T-1	6709	Transformer—output transformer...
C-24	3584	Ring — R.F. Oscillator or antenna coil retaining ring—	T-1	6710	Transformer — audio driver transformer.....
	3592	Knob — Station selector tone or volume control knob.....	L-14	6711	Coil—coke coil.....
C-26	3617	Capacitor—.005 mfd.....		6712	Transformer—first intermediate frequency transformer.....
C-2	3623	Shield—R.F. or Antenna coil shield.	R-8	6713	Transformer — second intermediate frequency transformer.....
C-1	3639	Capacitor—.02 mfd.....		6714	Volume Control.....
C-14	3641	Capacitor—.1 mfd.....		6715	Dial—volume indicator dial assembly.....
C-16			3702	Capacitor—.25 mfd.....	S-2
C-29	3711	Capacitor—80 mmfd.....		6717	Condenser — 3 Gang tuning condenser.....
C-20	3748	Fuse—½ Ampere fuse—		6718	Scale — station selector dial scale assembly.....
C-3	3768	Screw—Volume indicator or station selector dial scale set screw—		6719	Coil—R.F. Coil.....
C-13			R-17	6720	Coil—Oscillator Coil.....
F-1			C-9	6721	Cable—Main cable for table model...
				6737	Resistor—.62 ohms—Wire wound...
				7062	Capacitor—Adjustable trimmer capacitor 15-70 mmfds.....
R-15	3892	Resistor—600 ohms — Carbon type —½ watt.....	CONSOLE MODEL REPRODUCER ASSEMBLIES		
S-1	3908	Switch—Local distance switch—For table model.....		8920	Ring—Cone retaining ring.....
S-1	3909	Switch — Local distance switch for console model.....		9431	Bracket—cone bracket and magnet assembly.....
	3910	Screw Assembly—Chassis mounting screw assembly—Comprising 4 screws, 4 washers and 4 spares—		9432	Cone—reproducer cone.....
				9455	Reproducer complete.....
R-2	3911	Resistor—40,000 ohms—carbon type ½ watt.....	TABLE MODEL REPRODUCER ASSEMBLIES		
R-6	3912	Resistor—90,000 ohms—carbon type ½ watt.....		9428	Cone—Reproducer Cone.....
S-3	3913	Switch — Operating switch— 4 pole single throw.....		9453	Reproducer Complete.....
C-28	3932	Capacitor—2,400 mmfd.....		9454	Housing—Cone housing and core assembly with magnets.....
C-29					

Model R-90 A.C. Receiver

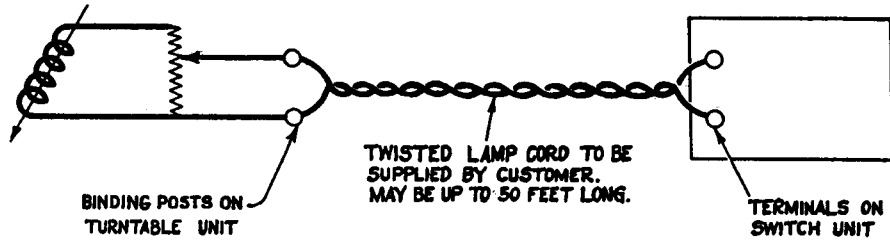


REPLACEMENT PARTS — Model R-90

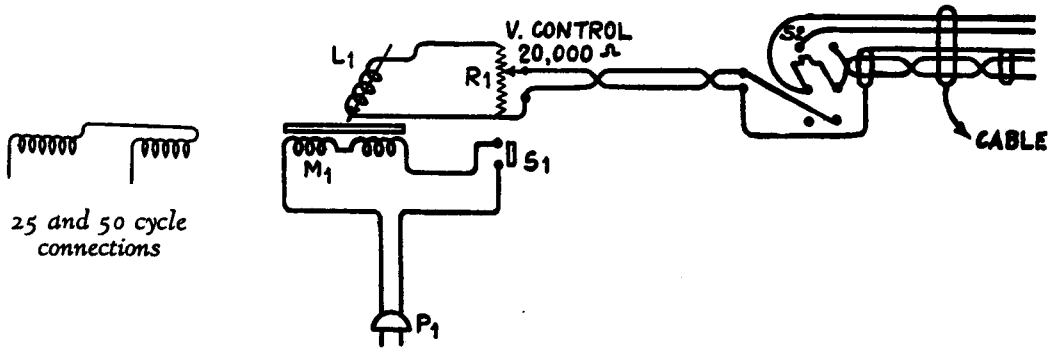
Insist on genuine factory tested parts, which are readily identified and may be purchased from authorized dealers.

Key No.	Stock No.	DESCRIPTION	Key No.	Stock No.	DESCRIPTION
RECEIVER ASSEMBLIES					
R-8 R-10	3047	Resistor—1,500 ohms—Carbon type— $\frac{1}{2}$ watt.		6430	Capacitor Pack—Comprising two 4.0 mfd., one .25 mfd., one .1 mfd. and one .5 mfd. capacitors in metal container.
R-14	3076	Resistor—1 megohm—Carbon type— $\frac{1}{2}$ watt.	L-21	6431	Reactor—Filter reactor.
R-16	S-1113	Resistor—6,000 ohms—Carbon type— $\frac{1}{2}$ watt.	T-2	6432	Transformer—Interstage audio transformer.
R-2	3435	Resistor—250 ohms—Carbon type— $\frac{1}{2}$ watt.		6433	Coil—Antenna coil assembly.
R-26	S-1274	Resistor—2,600 ohms—Carbon type— $\frac{1}{2}$ watt.	L-15	6434	Reactor—Second detector plate coupling reactor.
C-32	S-1318	Capacitor—0.01 mfd. capacitor.		6435	Transformer—First intermediate frequency transformer.
C-24	3460	Capacitor—1,200 mmfd.	L-17	6436	Reactor—High frequency tone control compensating reactor.
C-10	3513	Capacitor—700 mmfd.		6437	Coil—Oscillator coil assembly.
R-4	3526	Resistor—2,000 ohms—Carbon type— $\frac{1}{2}$ watt.	L-16	6438	Coil—Detector coil.
R-18	3527	Resistor—800 ohms—Carbon type— $\frac{1}{2}$ watt.		6439	Reactor—High frequency tone control reactor.
	3529	Socket—Noise suppressor or volume indicator lamp socket.		6440	Transformer—Second intermediate frequency transformer.
L-14	3530	Coil—Second detector plate choke coil.		6441	Transformer—Third intermediate frequency transformer.
	3531	Shutter—Volume control shutter.	L-18	6442	Reactor—Volume control series reactor.
	3532	Shutter—Noise suppressor shutter.	C-34	6443	Capacitor—10 mfd.
	3533	Shutter—High Frequency tone control shutter.		S-1150	Socket—Five contact Radiotron socket.
	3534	Shutter—Low frequency tone control shutter.		S-1151	Socket—Six contact Radiotron socket.
	3535	Socket—High or low frequency indicator lamp socket.	R-19	6300	Socket—Four contact Radiotron socket.
	S-1270	Knob—High or low frequency tone control knob.	R-17	6447	Volume control—Complete with mounting nut.
	3551	Screw assembly—Chassis mounting washer and screw assembly—Comprising 4 screws, 4 lock washers, 4 washers, 8 cushions and 4 spacers—One set.	R-23	6448	Tone control—Low frequency tone control complete with mounting nut.
R-22	3552	Resistor—200 ohms—Porcelain type—20 watts.		6449	Tone control—High frequency tone control complete with mounting nut.
R-24	3553	Resistor—8,000 ohms—Porcelain type—20 watts.	R-3	6450	Rheostat—Noise suppressor rheostat.
R-27	3554	Resistor—1,200 ohms—Carbon type— $\frac{1}{2}$ watt.		6456	Escutcheon—Volume control escutcheon and color screen.
C-4				6457	Escutcheon—Noise suppressor escutcheon and color screen.
C-8				6458	Escutcheon—High and low frequency escutcheon and color screen.
C-18	S-1308	Capacitor—0.1 mfd. capacitor.		6459	Cable—Braid covered—Five conductor reproducer cable.
C-19				6461	Meter—Tuning meter.
C-38				6462	Bezel—Tuning meter bezel.
C-39				7062	Capacitor—Adjustable trimming capacitor—15 to 70 mmfd.
C-5	3640	Capacitor—0.05 mfd. capacitor.	C-9	A-6000	Screw driver—Non-metallic screw driver for oscillator and I. F. adjustments.
C-17				S-1187	Drum—Dial drum with set screws and three dial mounting nuts.
C-20	3557	Capacitor—0.002 mfd. capacitor.		S-1140	Shield—Radiotron tube shield.
C-33	3558	Capacitor—50 mmfd. capacitor.		S-1141	Shield—Tube shield top.
C-13	3563	Socket—Tuning meter lamp socket and bracket.		7580	Scale—Dial and dial scale.
	3564	Bracket—Station selector dial lamp mounting bracket.		7581	Condenser—Three gang variable tuning condenser assembly.
	3565	Socket—Dial lamp socket.	T-1	8978	Transformer—Power transformer—105-120 volts—50-60 cycles.
R-21	5817	Resistor—20,000 ohms—Carbon type—1 watt.	T-1	8979	Transformer—Power transformer—105-120 volts—25-40 cycles.
R-25			C-36 & C-37	8982	Capacitor pack—Comprising two 1.0 mfd. capacitors in metal container.
R-5	S-1016	Resistor—100,000 ohms—Carbon type— $\frac{1}{2}$ watt.		REPRODUCER ASSEMBLIES	
R-6	S-1029	Spring—Three gang tuning condenser drive cord tension spring.		6184	Board—Terminal board complete with three terminals.
R-7	S-1032	Resistor—2 megohm—Carbon type— $\frac{1}{2}$ watt.	T-3	6455	Transformer—Output transformer.
R-9	S-1116	Resistor—15,000 ohms—Carbon type— $\frac{1}{2}$ watt.		8920	Ring—Cone retaining ring.
R-15	S-1119	Resistor—400,000 ohms—Carbon type— $\frac{1}{2}$ watt.		8969	Cone—Reproducer cone.
R-11	S-1121	Resistor—60,000 ohms—Carbon type— $\frac{1}{2}$ watt.		9425	Coil assembly—Comprising field coil, magnet and cone support.
R-12	S-1269	Knob—Volume control or noise suppressor knob.			
R-13	S-1271	Cord—Three gang tuning condenser drive cord.			
R-20	6314	Capacitor—160 mmfd.			
	S-1313	Shaft—Three gang variable tuning condenser drive shaft—Comprising 1 shaft, 2 "C" washers and 2 flat washers.			
C-30 & C-31	6429	Capacitor pack—Comprising one 0.11 mfd. and one 0.7 mfd. capacitor in metal container.			

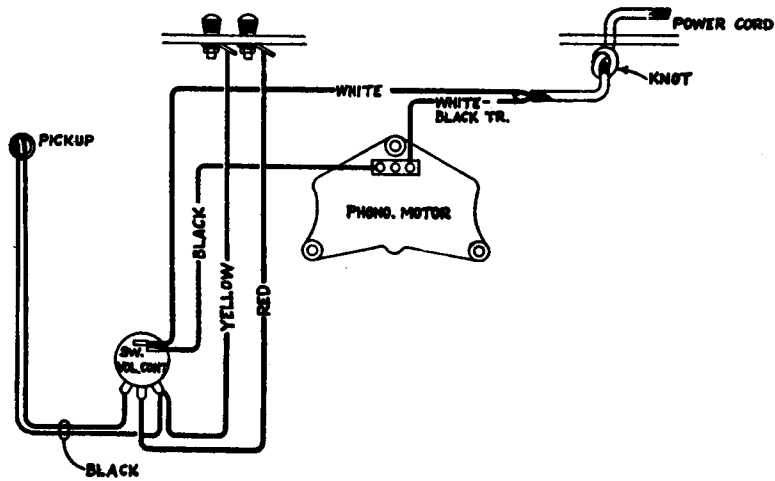
Model R-93, R-93A, R-93X, Victrola Attachments



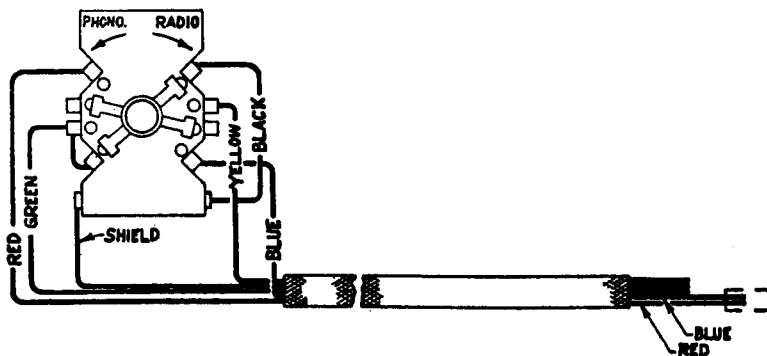
Connections from Pickup to Switch Unit



Schematic Diagram



Wiring Diagram



Cable Connections

MODELS R-93, R-93A & R-93X

RCA VICTOR RECEIVERS—DETAILS OF LEAD CONNECTIONS

Model	Method of Connection	Green	Yellow	Red	Blue	Shield
R-6,104-105	5. Adaptor	Det. Cathode	Cathode Socket Contact	Ant.	Ant. Lead	Chassis
118-211	3. Grid Clip	Grid Cap of tube	Grid Clip Contact.	Ant.	Ant. Lead	Chassis
R-7-8-9	2. Term.Board	Term. 2 (Open Link)	Term.1	Ant.	Ant. Lead	Term. 4
R-7A-8A-9A	2. Term.Board	Term. 2 (Open Link)	Term.1	Ant.	Ant. Lead	Term. 4
R-107	5. Adaptor	Det. Cathode	Cathode Socket Contact	Ant.	Ant. Lead	Chassis
R-12	2. Term.Board	Term. 2 (Open Link)	Term.3	Term.4	Term.5	Term.6
128-224	3. Grid Clip	Grid Cap of tube	Grid Clip Contact	Ant.	Ant. Lead	Chassis
129-226	3. Grid Clip	Grid Cap of tube	Grid Clip Contact	Ant.	Ant. Lead	Chassis
R-109	2. Term.Board	Term. 2 (Open Link)	Term.3	Term.4	Term.5	Term.6
143-242	2. Term.Board	Term. 5 (Open Link)	Term.4	Term.1	Term.2 (Open Link)	Chassis
RO-112	5. Adaptor	Det. Cathode	Cathode Socket Contact	Ant.	Ant. Lead	Chassis
262	2. Term.Board	Term. 2 (Open Link)	Term.1	Ant.	Ant.Binding Post	Chassis
R-28-29-31-115-210	5. Adaptor	Det. Cathode	Cathode Socket Contact	Ant.	Ant. Lead	Chassis
R-37	3. Grid Clip	Grid Cap of tube	Grid Clip Contact	Ant.	Ant. Lead	Chassis
R-20-21	2. Term.Board	Term. 3 (Open Link)	Term.4	Term.1 (Open Link)	Term.2	Term.6
R-48	5. Adaptor	Det. Cathode	Cathode Socket Contact	Ant.	Ant. Lead	Chassis
R-50-52	5. Adaptor	Det. Cathode	Cathode Socket Contact	Ant.	Ant. Lead	Chassis
R-53	3. Grid Clip	Grid Cap of tube	Grid Clip	Ant.	Ant. Lead	Chassis
R-49	3. Grid Clip	Grid Cap of tube	Grid Clip	Ant.	Ant. Lead	Chassis
R-54-56	5. Adaptor	Det. Cathode	Cathode Socket Contact	Ant.	Ant. Lead	Chassis
R-22-22A	2. Term.Board	Term.7 (Open Link)	Term.8	Term.1	Term.2	Chassis
281	2. Term.Board	Term.1	Term.2 (Open Link)	Term.4	Term.5	To Chassis through .2 mfd capacitor and to Term.3 through 50,000 ohm resistor
R-90	5. Adaptor	Det. Cathode	Cathode Socket Contact	Osc.Cathode*	Osc.Cathode Socket Contact	Chassis
222	3. Grid Clip	Grid Cap of tube	Grid Clip	Ant.	Ant.Lead on Bind.Post	Chassis
121,221	3. Grid Clip	Grid Cap of tube	Grid Clip	Ant.	Ant.Lead on Bind.Post	Chassis
140,141	2. Term.Board	Term.3	Term.1 (Open Link)	Term.1	Term.2	Term.1
280	5. Adaptor	Det.Cathode	Cathode Socket Contact	Osc.Cathode*	Osc.Cathode Socket cont.	Chassis
T4-1	6. Under Chassis	Det. Grid	Grid Lead	Ant.	Ant.Lead	Chassis
T4-2,5-2,6-1,6-1,6-1,6-1,6-1,6-1	3. Grid Clip	Grid Cap of tube	Grid Clip	Ant.	Ant.Lead	Chassis
T6-2,7-1,8-14	4. Grid Clip	Grid Cap of tube	Grid Clip	I-F Cathode (Adapter)	I-F Cathode Socket Contact	Chassis
C6-2,6-3,6-4,7-1,8-15,8-16	4. Grid Clip	Grid Cap of tube	Grid Clip	I-F Cathode (Adapter)	I-F Cathode Socket Contact	Chassis
C10-1,12-1,14-1	5. Adapter	1st Audio Cathode	Cathode Socket Contact	I-F Cathode*	I-F Cathode Socket Contact	Chassis

*Use a second adapter.

REPLACEMENT PARTS FOR MODEL R-93, R93X

Insist on genuine factory tested parts, which are readily identified and may be purchased from authorized dealers.

STOCK NO.	DESCRIPTION	STOCK NO.	DESCRIPTION
	MOTOR ASSEMBLIES FIRST PRODUCTION		
10194	Ball-Steel ball bearing.	S-1618	Turntable-Turntable assembly complete with rotor laminations-60-cycles operation.
S-1605	Base-Motor base and bearing assembly, 105-125 volt, 60 cycle operation.	S-1619	Turntable-Turntable assembly complete with rotor laminations-25-cycle operation.
S-1606	Base-Motor base and bearing assembly, 105-125 volt, 25 cycle operation.	S-1602	Motor coil shield assemblies (Top & Bottom).
S-1607	Coil stator assembly-comprising coil and laminations-105-125 volt, 60-cycle operation.	4083	Washer-Leather washer.
S-1608	Coil-stator assembly-comprising coil and laminations-105-125 volt, 25-cycle operation.	4084	Washer-Metal washer.
S-1609	Motor-105-125 volt-60 cycle motor.		PICKUP AND ARM ASSEMBLIES
S-1610	Motor-105-125 volt-25 cycle motor.	3812	Armature-Pickup armature.
S-1602	Motor-Coil shield assemblies (Top & Bottom).	4462	Cable-Pickup cable.
3813	Motor Suspension Assembly-Comprising: 1 screw, 2 metal bushings, 2 rubber bushings, 1 flat washer, 1 lockwasher, and 1 nut.	3810	Coil-Pickup coil.
S-1611	Turntable-Turntable assembly, complete with rotor laminations-60-cycle operation.	5091	Cushion-Pickup armature spacer cushion.
S-1612	Turntable-Turntable assembly, complete with rotor laminations-25-cycle operation.	4543	Damper-Damper block complete with damper clamp, washer.
4083	Washer-Leather washer.	4503	Pickup and arm assembly complete.
4084	Washer-Metal washer.	3811	Screw-Needle holding screw.
	MOTOR ASSEMBLIES SECOND PRODUCTION		MISCELLANEOUS ASSEMBLIES
10194	Ball-Steel bearing.	4611	Adaptor-Five-prong split cathode adaptor.
S-1613	Base-Motor base and bearing assembly, 105-125 volts, 25 and 60-cycle operation.	4612	Adaptor-Sixprong split cathode adaptor.
S-1614	Coil-Stator assembly-comprising coil and laminations, 105-125 volt, 60-cycle operation.	11957	Adaptor-Eight-prong "octal" split cathode adaptor with ground lug.
S-1615	Coil-Stator assembly-comprising coil and laminations, 105-125 volt, 25-cycle operation.	4461	Cable-5-conductor-Radio-Record switch cable.
11748	Damper-Motor damper assembly-Comprising one damper, one damper plate, one screw, two rubber washers, and one "C" washer.	4459	Bracket-Volume control mounting bracket.
S-1616	Motor-105-125 volt, 60 cycle motor.	4463	Foot-Felt foot for bottom cover.
S-1617	Motor-105-125 volt, 25 cycle motor.	3329	Knob-Radio-Record switch knob.
		3961	Knob-Volume control knob.
		4458	Post-Binding post.
		4507	Rest-Pickup rest.
		4119	Screw No. 8-32-1/2-inch headless set screw for knob.
		4460	Switch-Radio-Record switch.
		4502	Volume control (R1).

REPLACEMENT PARTS FOR MODEL R93A

STOCK NO.	DESCRIPTION	STOCK NO.	DESCRIPTION
	MOTOR ASSEMBLY		PICKUP ASSEMBLIES
10194	Ball-ball for stator bearing assembly.	3812	Armature-Pickup armature.
2224	Bushing-Rubber grommet for turntable retainer.	3810	Coil-Pickup coil.
14235	Damper-Stator damping spring assembly.	12329	Pickup-Pickup and arm assembly complete.
2295	Motor-110 volt, 60 cycle motor complete, less mountings.	3811	Screw-Pickup needle screw.
2296	Motor-110 volt, 25 cycle motor complete, less mountings.		MISCELLANEOUS ASSEMBLIES
14235	Mounting-Motor mounting assembly consisting of screws, washers, rubber spacers and bushings.	4839	Capacitor - 0.1 mfd. (C1).
30243	Retainer-Turntable retainer assembly.	S-1917	Control-Volume control and switch (R1, S1).
31040	Spacer-Rubber spacer for turntable mounting.	3961	Knob-Volume control knob.
30242	Turntable-Turntable top plate less mounting.	12195	Resistor-2,200 ohms, 1/4 watt (R2).
14230	Washer-Leather spacing washer for stator assembly.	9824	Switch-Radio record switch and cable.
14231	Washer-Metal spacing washer for stator assembly.	4458	Terminal-Pickup binding post terminal.

ADAPTERS Model R-93B

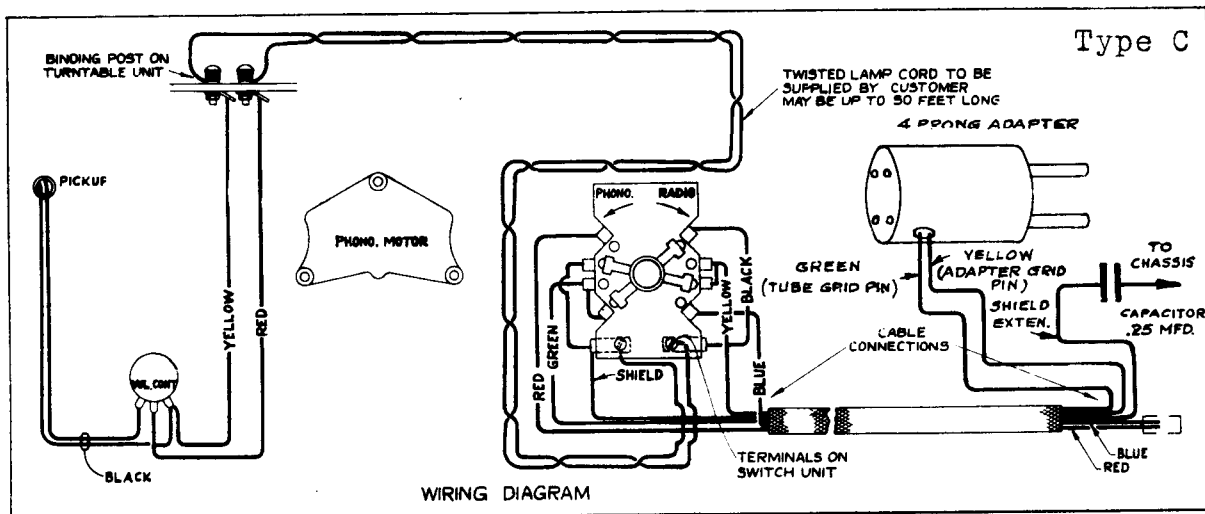
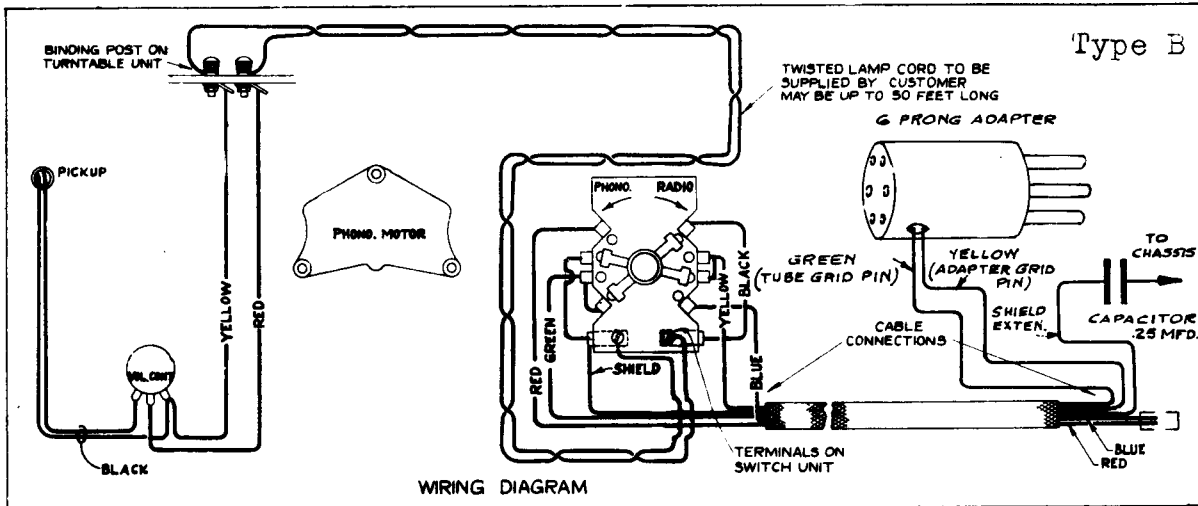
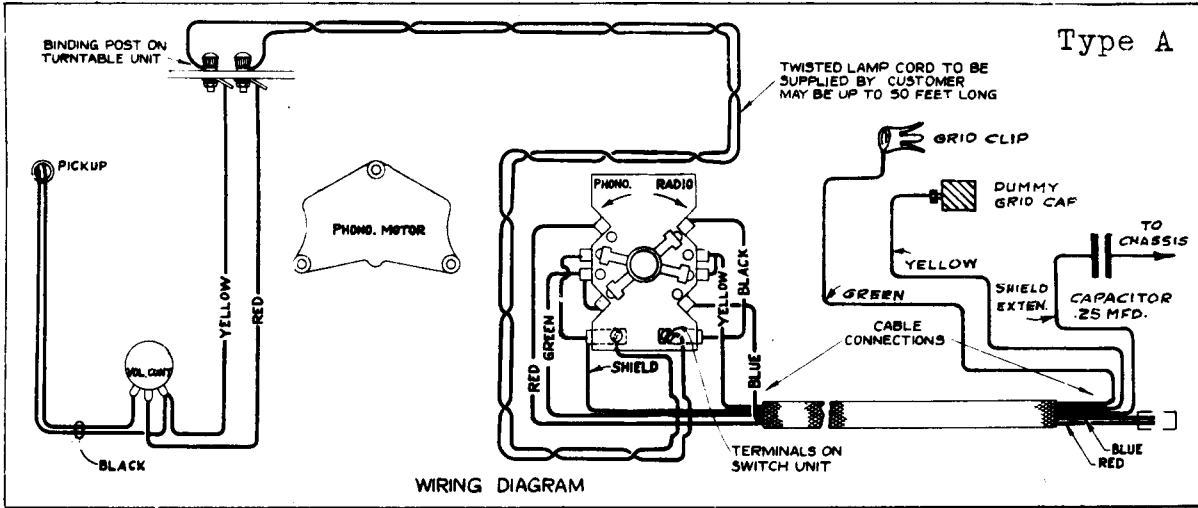


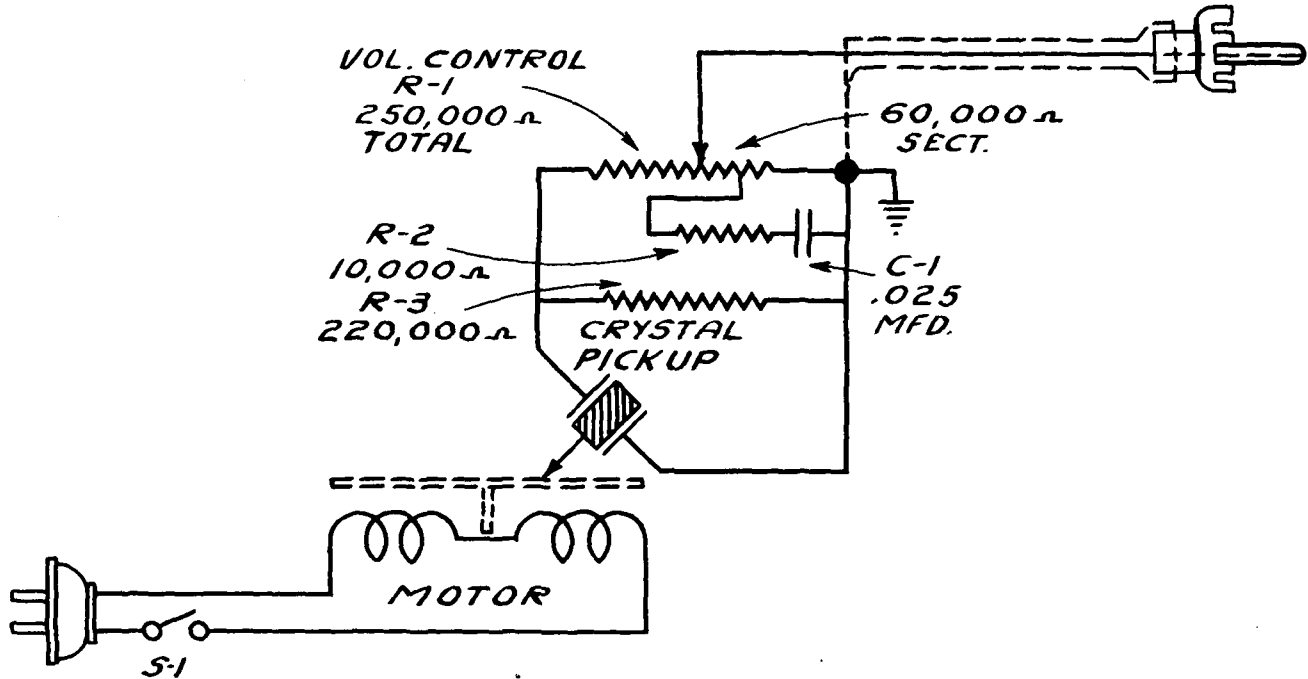
Figure 1-Wiring Diagram

ADAPTER CHART Model R93B

Model	No. of Tubes	Type Adapter	Tube Involved	Physical Position	Model	No. of Tubes	Type Adapter	Tube Involved	Physical Position
DE FOREST CROSLEY					MAJESTIC				
B510	5	A	1A6	4th	Huron	5	A	1A6	4th
B515	5	A	1A6	4th	Chippewa	5	A	1A6	4th
New Prelude	8	C	230	3rd	2751	7	C	230	1st
Empire	7	C	230	1st	Algonquin	7	C	230	3rd
Realm	7	C	230	1st	Iroquois	7	C	230	3rd
Cambridge	7	C	230	3rd	NORTHERN ELECTRIC				
Oxford	7	C	230	3rd	601	6	A	232	2nd
T. EATON CO.					502	5	A	232	2nd
4B70	7	A	234	-	503	5	A	232	2nd
4B75	7	A	234	-	412	4	B	1B5	1st
2B93-4	9	C	230	-	PHILCO				
5G85	8	C	230	-	344	7	A	232	2nd§
5B75	7	B	1B5	-	339	6	A	232	1st§
5B65	6	C	230	-	3623	6	A	232	1st§
5B60	6	C	230	-	ROGERS				
5B60A	6	C	230	-	4751	7	C	230	1st
5B56	5	B	1B5	-	955	9	C	230	2nd
5B55	5	C	230	-	925	6	A	234	1st
5B55A	5	C	230	-	930	6	A	234	1st
5B50	5	C	230	-	B7/30	7	C	230	3rd
4B61	6	A	234	-	B7/35	7	C	230	3rd
4B60	6	A	234	-	Eton	5	A	1A6	4th
3B64-5	6	A	234	-	Harrow	5	A	1A6	4th
3B61-2	6	A	234	-	ROBT. SIMPSON CO.				
4B50	5	C	230	-	6B72S	7	C	230	-
3B51-2	5	C	230	-	SPARTON				
GENERAL ELECTRIC					182	5	C	230	1st
E6B	6	B	1B5	2nd	970A	7	A	1A6	3rd
A6B	6	B	1B5	2nd	970B	7	A	1A6	3rd
EC6B	6	B	1B5	2nd	951	5	A	1C6	1st§
AC6B	6	B	1B5	2nd	954	5	A	1C6	1st§
A7B	7	A	232	2nd*	968	6	A	1A6	1st§
A7CB	7	A	232	2nd*	955	5	A	1C6	1st§
M7B	7	A	232	2nd*	STEWART-WARNER				
M7CB	7	A	232	2nd*	Dover	6	A	234	1st*
MARCONI					Calais	6	A	234	1st*
32B	8	A	234	3rd	Marvel	5	A	1C6	1st*
43	6	A	234	1st	Miracle	5	A	1C6	1st*
45	6	A	234	1st	VICTOR				
64	6	A	1A6	1st	BT6-1	6	B	1B5	2nd
65	6	A	1A6	1st	BC6-1	6	B	1B5	2nd
57	6	A	1A6	1st	BT7-1	7	A	32	2nd*
					BC7-1	7	A	32	2nd*
					135B	7	A	32	2nd*
					235B	7	A	32	2nd*

*-Denotes tube position in second row from rear. §-Denotes tube position in third row from rear.
All other positions are in first row from rear.

MODEL R-94B Victrola Attachments

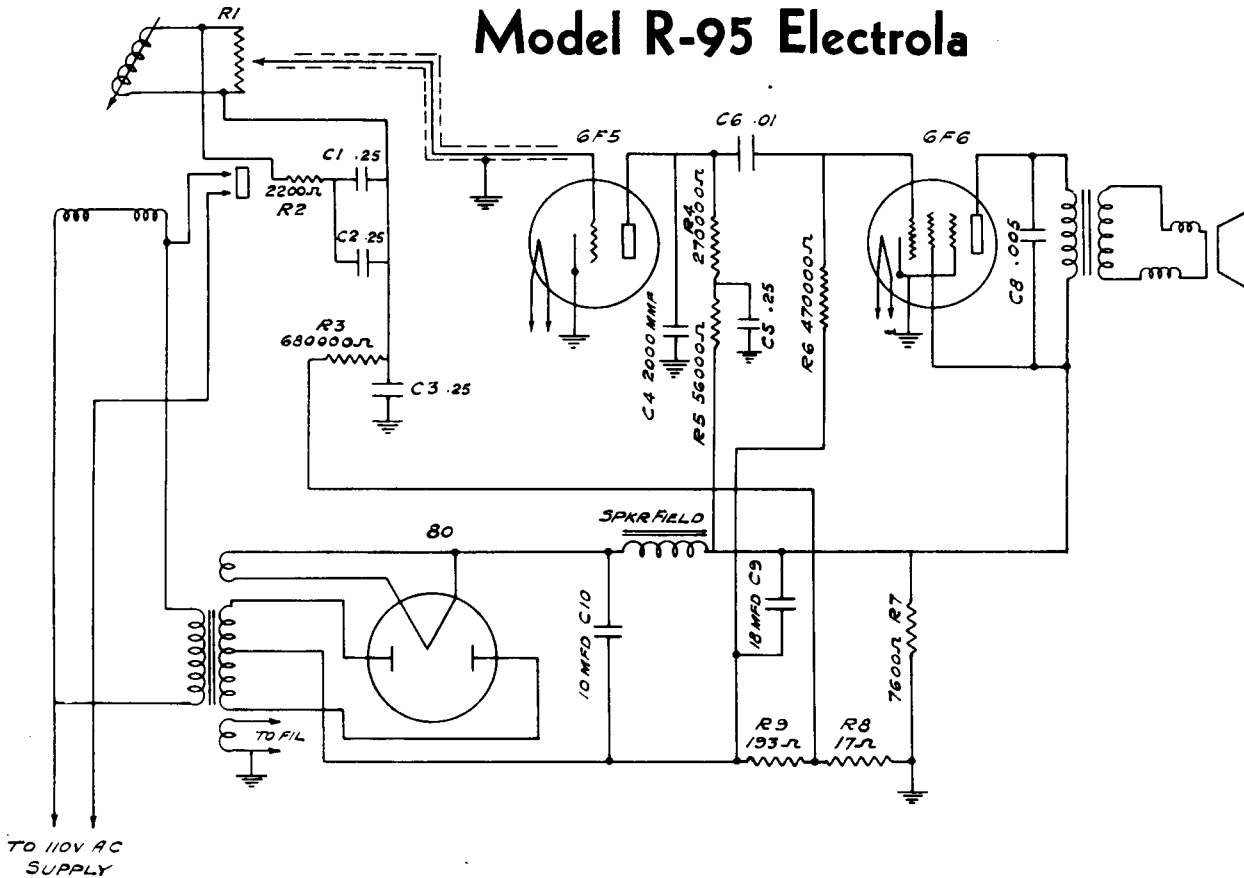


REPLACEMENT PARTS FOR MODEL R-94B

Insist on genuine factory tested parts, which are readily identified and may be purchased from authorized dealers.

STOCK No.	DESCRIPTION	STOCK No.	DESCRIPTION
MOTOR ASSEMBLIES		PICKUP ASSEMBLIES	
S-2277	Base-Motor support, damper and bearing cup assembly.....	31469	Base-Pickup arm pivot shaft, trip lever and base assembly.....
31046	Bearing-Motor bearing assembly...	31156	Crystal-Pickup crystal and needle screw.....
31041	Cap-Rubber spindle cap	32500	Mounting-Pickup mounting nut, washer and rubber cushion.....
31047	Cushion-Rubber cushion for bearing	S-2279	Pickup and arm complete.....
S-2269	Motor-110 volt-60 cycle motor complete with turntable.....	31160	Screw-Pickup needle screw.....
S-2270	Motor-110 volt-25 cycle motor complete with turntable.....	MISCELLANEOUS ASSEMBLIES	
S-2291	Mounting-Motor mounting assembly comprising screws, nuts, washers (sufficient for one motor).....	S-2278	Brake-Automatic brake complete.....
31040	Mounting-Turntable top, rubber mounting	4870	Capacitor-.025 mfd. (C1).....
4577	Plug-Motor cable male plug.....	3961	Knob-Volume control knob.....
S-2271	Retainer-Turntable top retaining ring, bushing & washer.....	31048	Plug-Pickup cable plug.....
S-2273	Turntable-Turntable top plate-60 cycle.....	12288	Resistor-10,000 ohms, 1/4 watt (R2).....
S-2274	Turntable-Turntable top plate-25 cycle.....	12264	Resistor-220,000 ohms, 1/4 watt (R3).....
4083	Washer-Leather spacing washer	30100	Spring-Automatic brake latch spring
14231	Washer-Metal spacing washer	S-2268	Switch-Motor switch (S1).....
		9824	Switch-Phono adapter switch assembly.....
		31194	Volume Control (R1).....

Model R-95 Electrola

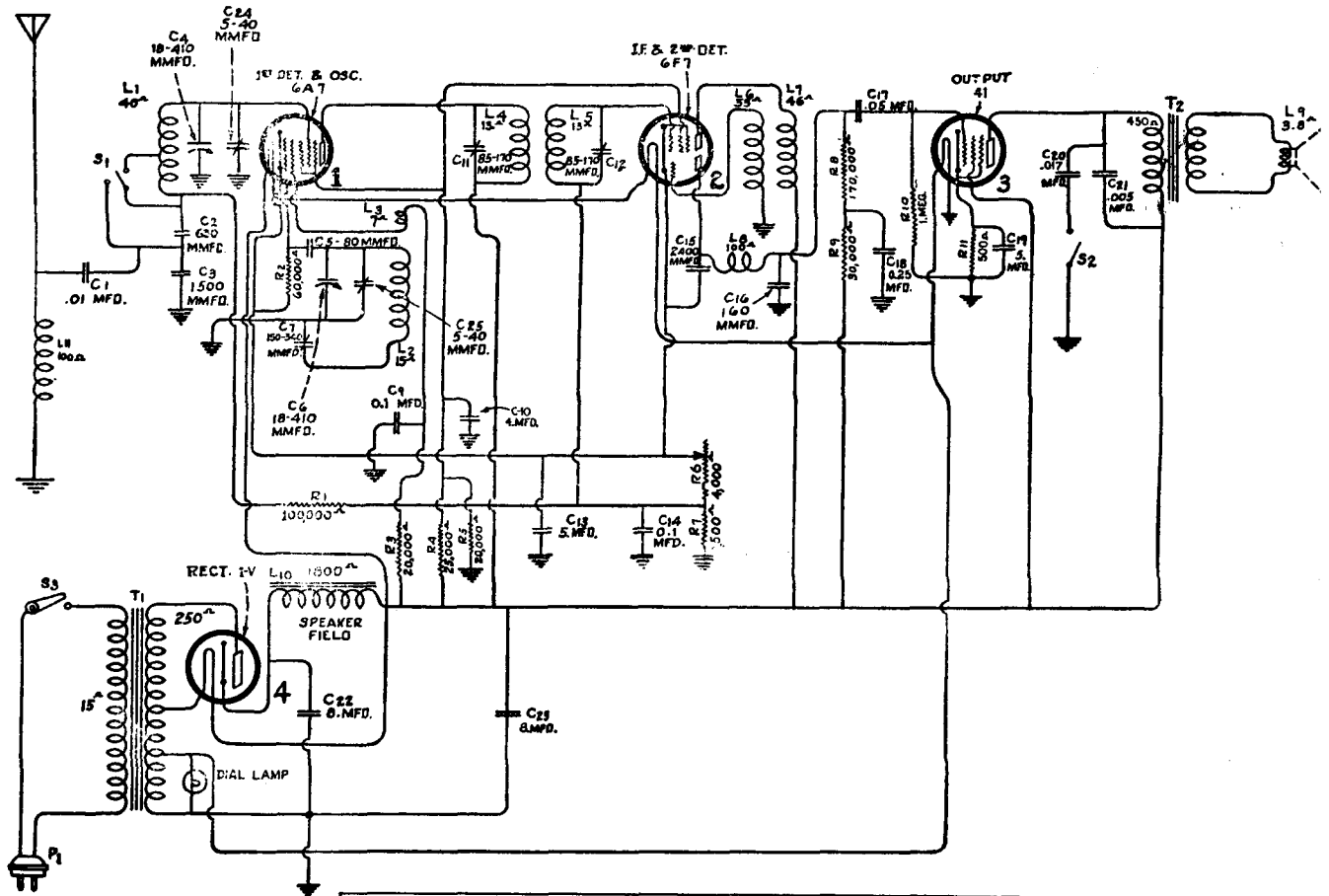


REPLACEMENT PARTS—MODEL R-95

Insist on genuine factory tested parts, which are readily identified and may be purchased from authorized dealers.

STOCK No.	DESCRIPTION	STOCK No.	DESCRIPTION
MOTOR BOARD ASSEMBLIES		PICKUP ASSEMBLIES	
S-1697	Compensator Pack (C1,C2,C3,R2,R3)....	11731	Armature-Pickup armature-complete with spacer cushions.....
11865	Holder-Needle holder.....	11732	Coil-Pickup coil (L1) with support..
3961	Knob-Volume control knob.....	4543	Damper-Pickup damper block complete with damper plate and screw..
4573	Connector-A.C. Female.....	11872	Pickup and arm assembly complete....
S-1705	Volume control (R2,S1,) 20,000 ohms.	3811	Screw-Needle holding screw -
AMPLIFIER ASSEMBLIES		MOTOR ASSEMBLIES	
11350	Cap-Grid contact cap-	S-1669	Ball steel ball bearing-
S-1649	Capacitor-2000 Mmfd. (C4).....	S-1613	Base-motor base and bearing assembly.
4793	Capacitor-.005 Mfd. (C8).....	S-1614	Coil-stator assembly comprising coil and laminations 105-125 volt,60 cycle operation.....
4883	Capacitor-.01 Mfd. (C6).....	S-1615	Coil-Stator assembly comprising coil and laminations 105-125 volt,25-cycle operation.....
5170	Capacitor-.25 Mfd. (C5).....	11748	Damper-motor assembly comprising one damper plate,one screw,two rubber washers and one "C" washer.....
11240	Capacitor-10 Mfd. (C10).....	S-1629	Motor,105-125 volts 60-cycle motor complete.....
5212	Capacitor-18 Mfd. (C19).....	S-1630	Motor-105-125 volts 25-cycle motor complete.....
4577	Connector-A.C. connector male.....	S-1631	Turntable-turntable assembly complete with rotor laminations 60-cycle operation.....
S-1704	Connector-A.C. power cord - male connector.....	S-1632	Turntable-turntable assembly complete with rotor laminations 25-cycle operation.....
SPEAKER ASSEMBLIES		4083	Washer-leather washer-
12641	Board-Terminal board assembly.....	4084	Washer-metal washer-
11470	Coil-Field coil (L3).....		
11469	Coil-Neutralizing coil (L5).....		
12642	Cone-Reproducer cone.....		
S-1696	Reproducer-Complete.....		
11253	Transformer-Output trans (T1)....		
5119	Connector-3/contact female connector for reproducer cable.....		
5118	Connector-3/contact male connector for reproducer.....		

Model 101-106 A.C. Receivers



ALIGNMENT PROCEDURE

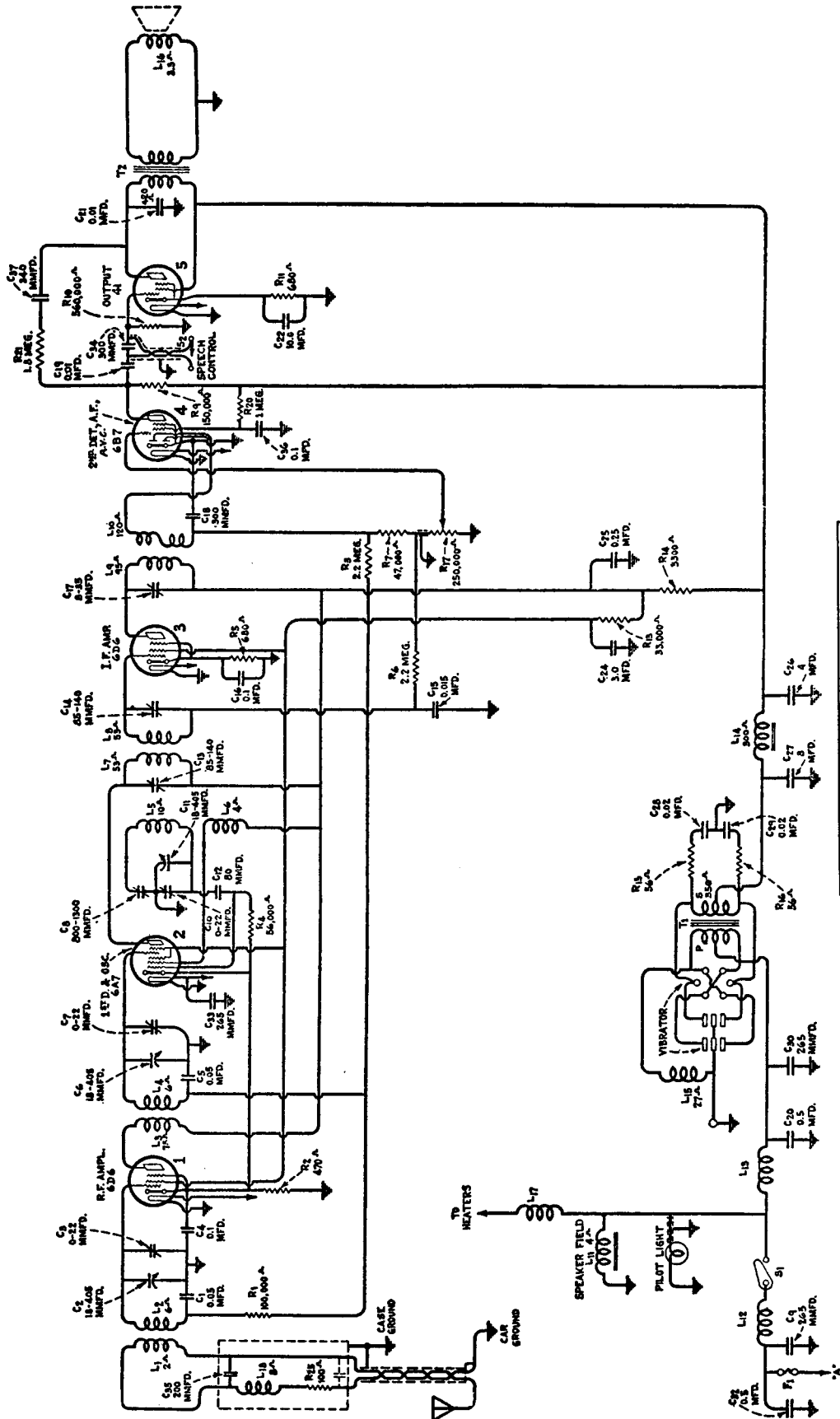
R.F. Stage 1400 K.C.
 Oscillator 600 K.C., 1400 K.C.
 Intermediate Frequency 460 K.C.
 Align all stages for maximum peak.

REPLACEMENT PARTS — MODEL 101

Insist on genuine factory tested parts, which are readily identified and may be purchased from authorized dealers.

Key No.	Stock No.	DESCRIPTION	Key No.	Stock No.	DESCRIPTION
RECEIVER ASSEMBLIES					
R-7	S-1151	Socket—6 Contact Tube Socket.	R-3	4085	Knob—Volume Control or Range Switch Knob—
R-1	S-1293	Resistor—1,500 ohms—Carbon Type— $\frac{1}{2}$ Watt.	R-5	4086	Knob—Tone Control Knob.
R-10	S-1354	Resistor—100,000 ohms—Carbon Type— $\frac{1}{4}$ Watt.		4104	Shield—Tube Shield.
C-9	S-1365	Resistor—1 megohm—Carbon Type— $\frac{1}{2}$ Watt.		6114	Resistor—20,000 ohms—Carbon Type—1 Watt.
	S-1371	Capacitor—.01 mfd. Capacitor.		6300	Socket—4 Contact Tube Socket.
R-9	2747	Contact Cap—		6660	Condenser—2 Gang Tuning Condenser.
C-5	3077	Resistor—30,000 ohms—Carbon Type— $\frac{1}{2}$ Watt.		6661	Capacitor Pack—Comprising two 5.0 mfd. and two 8.0 mfd. capacitors.
	3459	Capacitor—80 mmfd.		6662	Transformer—First Intermediate Frequency Transformer.
C-18	3572	Socket—7 Contact Tube Socket.		6663	Transformer—Second Intermediate Frequency Transformer.
R-2	3584	Ring—Oscillator Coil Retaining Ring.		6664	Coil—Oscillator Coil.
R-11	3597	Capacitor—.25 mfd. capacitor.		6665	Shield—Oscillator Coil Shield & Mounting Bracket.
C-1	3602	Resistor—60,000 ohms—Carbon Type— $\frac{1}{2}$ Watt.		6666	Coil—Antenna Coil.
C-17	3632	Resistor—500 ohms—Carbon Type—1 Watt.	R-6	6667	Volume Control.
L-8	3701	Capacitor—.01 mfd. capacitor.	S-1	6668	Switch—Range Switch.
	3713	Capacitor—.05 mfd. capacitor.	S-2	6669	Switch—Tone Control Switch.
	3857	Coil—Detector Choke Coil.	C-20	6787	Capacitor—Comprising one .005 mfd. and one .017 mfd. capacitors.
	3858	Socket—Dial Lamp Socket and Bracket.	C-10	7641	Capacitor—4.0 mfd.
	3862	Screw—Chassis mounting screw and washer.	T-1	9465	Transformer—Power Transformer 105-125 Volts 25 and 60 Cycles.
C-16	3865	Capacitor—160 mmfd.	REPRODUCER ASSEMBLIES		
R-8	3869	Resistor—170,000 ohms—Carbon Type— $\frac{1}{2}$ Watt.	T-2	6788	Transformer—Output Transformer.
C-14	3877	Capacitor—.01 mfd. capacitor.		8987	Cone—Reproducer Cone.
	3886	Reflector—Dial Light Reflector.		9437	Coil Assembly—Comprising Field Coil, Magnet and Cone Support, less Output Transformer.
R-4	3887	Dial—Station Selector Dial.		9467	Reproducer—Complete.
C-15	3889	Resistor—25,000 ohms—Carbon Type—3 Watt.			
C-2	3932	Capacitor—2,400 mmfd.			
C-7	3933	Capacitor—630 mmfd.			
L-11	4000	Capacitor—Adjustable Capacitor.			
	4018	Coil—Choke Coil.			
	4075	Knob—Station Selector Knob.			

Model M-104, M-108 Automobile Receivers



ALIGNMENT PROCEDURE
 R.F. & Det. 1400 K.C.
 Osc. 600 K.C., 1500 K.C.
 I.F. 175 K.C.
 Adjust all stages for maximum peak

REPLACEMENT PARTS—M-104, M-108

Insist on genuine factory tested parts, which are readily identified and may be purchased from authorized dealers.

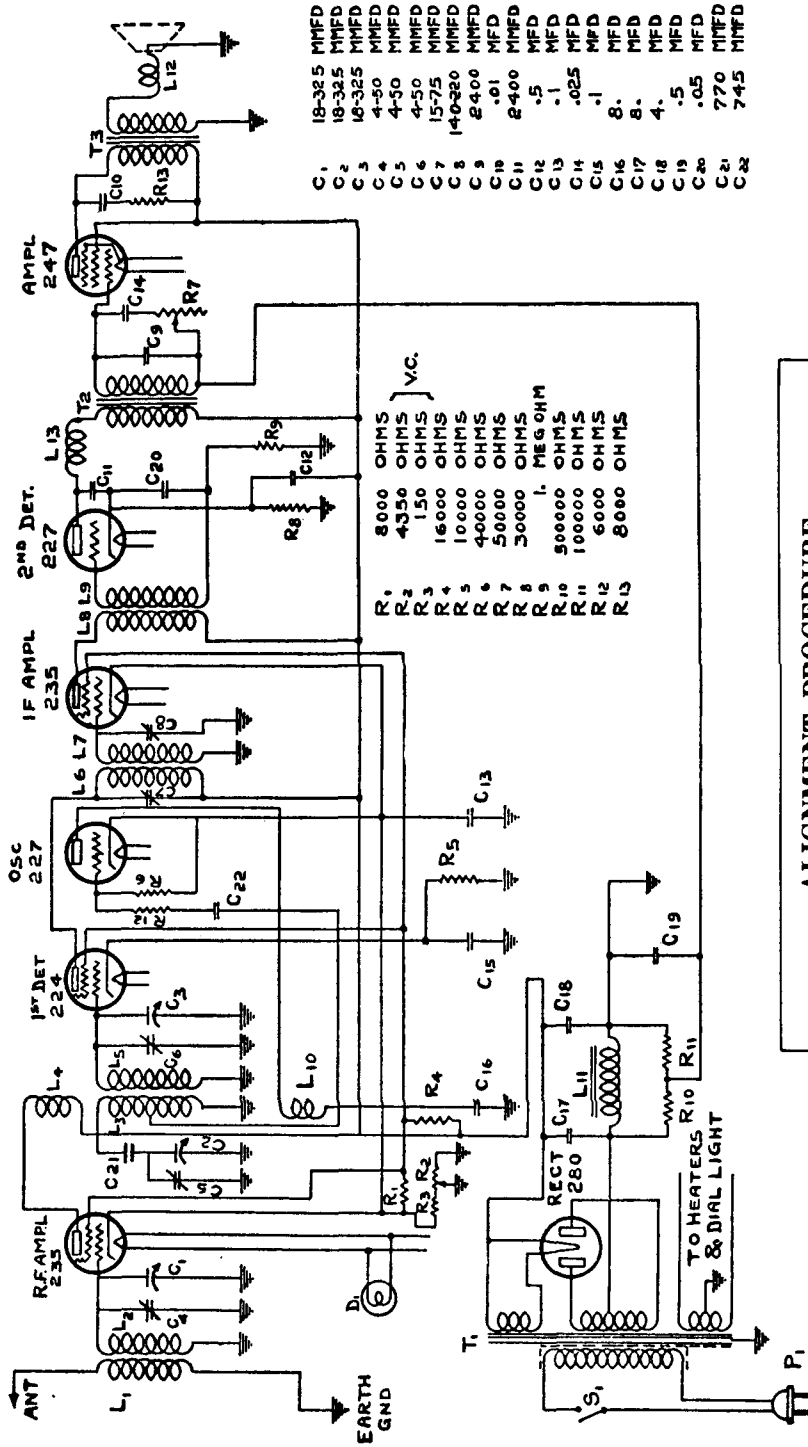
KEY NO.	STOCK NO.	DESCRIPTION	KEY NO.	STOCK NO.	DESCRIPTION
		RECEIVER ASSEMBLIES	R-14	5032	Resistor — 3300 ohms — Carbon type—2 watts.
	4993	Bumper — Rubber bumper — used under variable condenser bracket assembly—	R-13	5033	Resistor — 33,000 ohms — Carbon type—1 watt.
	4965	Cable — 2 Conductor Shielded — Approx. 17 inches long — To speech control switch.	R-7	5132	Resistor — 47,000 ohms — Carbon type—1/10 watt.
	S-1404	Cap—Grid contact cap—	R-4	5029	Resistor — 56,000 ohms — Carbon type—1/4 watt.
C-8	4955	Capacitor—Adjustable capacitor	R-1	S-1354	Resistor — 100,000 ohms—Carbon type—1/4 watt.
C-12	5021	Capacitor—80 mmfd.	R-9	5027	Resistor — 150,000 ohms—Carbon type—1/4 watt.
C-9			R-10	5035	Resistor — 560,000 ohms—Carbon type—1/4 watt.
C-30			R-20	3033	Resistor—1 megohm—Carbon type 1/4 watt.
C-33	5078	Capacitor—265 mmfd.	R-21	5028	Resistor — 1.8 megohm — Carbon type—1/4 watt.
C-38			R-3	5131	Resistor—2,200,000 ohms—Carbon type—1/10 watt.
C-34	3981	Capacitor—300 mmfd.	R-6	5129	Ring — Radiotron Shield Ring —
C-18	4248	Capacitor—300 mmfd.		3584	Ring—Retaining ring for antenna, R.F. or oscillator coils—
C-37	5022	Capacitor—340 mmfd.		3623	Shield—Antenna R.F. or oscillator coil shield.
C-21	4882	Capacitor—.01 mfd.		4953	Shield — First intermediate frequency transformer shield.
C-19	4883	Capacitor—.01 mfd.		4956	Shield — Second intermediate frequency transformer shield.
C-4				5037	Shield—Radiotron Shield.
C-16	4791	Capacitor—0.1 mfd.		4946	Socket — Six contact radiotron socket.
C-36	4885	Capacitor—0.1 mfd.		4959	Socket—Six contact vibrator socket.
C-15	4792	Capacitor—.015 mfd.	S-2	4947	Socket—7 contact radiotron socket.
C-25	4967	Capacitor—.25 mfd.	L-7	5001	Switch—Speech control switch.
C-32	5019	Capacitor—.5 mfd.	L-8		
C-20	4960	Capacitor—.5 mfd.	C-13	4951	Transformer — First intermediate frequency transformer.
C-27	4961	Capacitor—8.0 mfd.	L-9		
C-28	4964	Capacitor Pack—Comprising two .02 mfd. capacitors.	L-10	4952	Transformer—Second intermediate frequency transformer.
C-29			C-17		
C-1	5016	Capacitor Pack—Comprising two .05 mfd. capacitors.	T-2	4957	Transformer—Output transformer.
C-5			T-1	7859	Transformer—Vibrator transformer.
C-22	4958	Capacitor Pack—Comprising one 3. mfd., one 10. mfd. and one 4. mfd. capacitors.	L-15	7857	Vibrator—complete.
C-24			R-17		
C-26	5020	Clamp—Metal clamp with screw— for antenna filter shielded cable—	S-1	5018	Volume Control.
L-1					
L-2	4950	Coil—Antenna Coil.			
L-12	4968	Coil—Choke Coil.			
L-17	4969	Coil—Choke coil (15 turns approximately 23 inches—length).			
L-5					
L-6	6967	Coil—Oscillator coil.			
L-3					
L-4	6966	Coil—R.F. Coil.			
C-2					
C-3					
C-6	4948	Condenser—3 Gang Variable Tuning condenser.			
C-7					
C-10					
C-11					
	4954	Filter—Antenna filter.		4987	Bezel—Station selector dial bezel.
	4972	Lead—Power lead with male section of connector—Chassis end.		7865	Box—Control Box complete.
	7766	Lead—Power lead with clip and female section of fuse connector.		7864	Bracket—Mounting bracket and rear section of control box housing.
	4966	Lead—Single connector dial lamp lead—With female section of connector—Chassis end.		4988	Crystal — Station selector dial crystal.
L-14	4962	Reactor		4989	Dial—Station selector dial.
L-13	4963	Reactor		4981	Gear—18 Tooth intermediate drive gear.
R-15	5034	Resistor—56 ohms—Carbon type—1/2 watt.		4978	Gear — Indicator drive gear and shaft.
R-16				7862	Housing—Front section of control box housing.
R-2	5030	Resistor—470 ohms—Carbon type—1/4 watt.		7863	Housing—Centre section of control box housing.
R-15	5031	Resistor—680 ohms—Carbon type—1/4 watt.		4990	Indicator—Station selector indicator—
R-11	5026	Resistor—680 ohms—Carbon type—1 watt.			
					CONTROL BOX ASSEMBLIES

REPLACEMENT PARTS—M-104, M-108 (Continued)

Insist on genuine factory tested parts, which are readily identified and may be purchased from authorized dealers.

KEY NO.	STOCK NO.	DESCRIPTION	KEY NO.	STOCK NO.	DESCRIPTION
	4985	Knob—Station selector or volume control knob—	L-11 } L-16 }	9577	Reproducer—Complete.....
	4991	Lamp—Dial Lamp.....		4995	Screw — Reproducer mounting screw—
	7866	Plate—Bearing plate assembly— Comprising plate, gear and shaft, volume control shaft, station selector shaft, pinion and spring..			
	4986	Screw—Oval fillister head machine screw — Fastens bracket and centre section of control box housing.....		7868	Case—Receiver housing assembly—complete.....
	3652	Screw—No. 8-32- $\frac{3}{8}$ inch headless set-screw for station selector or volume control shaft—		7869	Cover—Bottom cover of receiver housing assembly.....
	4983	Shaft—Station selector drive shaft.		4999	Screw—No. 8- $\frac{1}{4}$ " slotted hex head self-tapping screw—used to assemble housing—
	4979	Shaft—Volume control drive shaft.			
	4984	Socket—Dial lamp socket.....			
	4982	Spring—Holding spring for station selector or volume control knob—			
	4980	Spring—Tension Spring—			
		FLEXIBLE SHAFT ASSEMBLIES			HOUSING ASSEMBLIES
	5000	Bracket—Volume or tuning condenser flexible shaft bracket — Bracket mounted on housing. . .		7868	Case—Receiver housing assembly—complete.....
	4994	Nut—Knurled locking nut for condenser drive or volume control flexible shafts.		7869	Cover—Bottom cover of receiver housing assembly.....
	7854	Shaft—Tuning condenser—Flexible (steering column) drive shaft — $31\frac{3}{8}$ inches long.....		4999	Screw—No. 8- $\frac{1}{4}$ " slotted hex head self-tapping screw—used to assemble housing—
	7856	Shaft—Volume control or tuning condenser — Flexible (dash mounting) drive shaft $9\frac{5}{8}$ inches long.....			MISCELLANEOUS PARTS
	7855	Shaft—Volume Control—Flexible (steering column) shaft $27\frac{1}{8}$ inches long.....		4287	Body—Antenna connector body—
		REPRODUCER ASSEMBLIES		4289	Body — Fuse Connector body —
	4970	Cable—3 Conductor reproducer cable.....		4288	Cap—Antenna or fuse connector—
L-16	9602	Cone—Reproducer cone.....		4293	Capacitor—0.5 mfd. ammeter capacitor.....
	9576	Housing — Reproducer housing — Top cover of receiver.....		5025	Capacitor — 0.5 mfd. generator capacitor.....
				6516	Connector—Fuse connector—Complete.....
				4973	Coupling—Tuning condenser shaft coupling.....
				4974	Coupling—Volume Control shaft coupling.....
				4286	Ferrule—Antenna or fuse connector ferrule and bushing—
				5023	Fuse—15 ampere—
				4290	Insulator—Fuse connector Insulator—
				4976	Lead—Antenna lead assembly.....
				4975	Lead—Dial lamp lead—control box end.....
				S-1469	Screw—No. 8-32 $\frac{3}{16}$ " headless set screw for couplings—
				4284	Spring—Antenna or fuse connector spring—
				4992	Stud—Receiver mounting stud and nuts—
				5024	Suppressor—Distribution suppressor.....

Models R-104 & R-105 A.C. Receivers

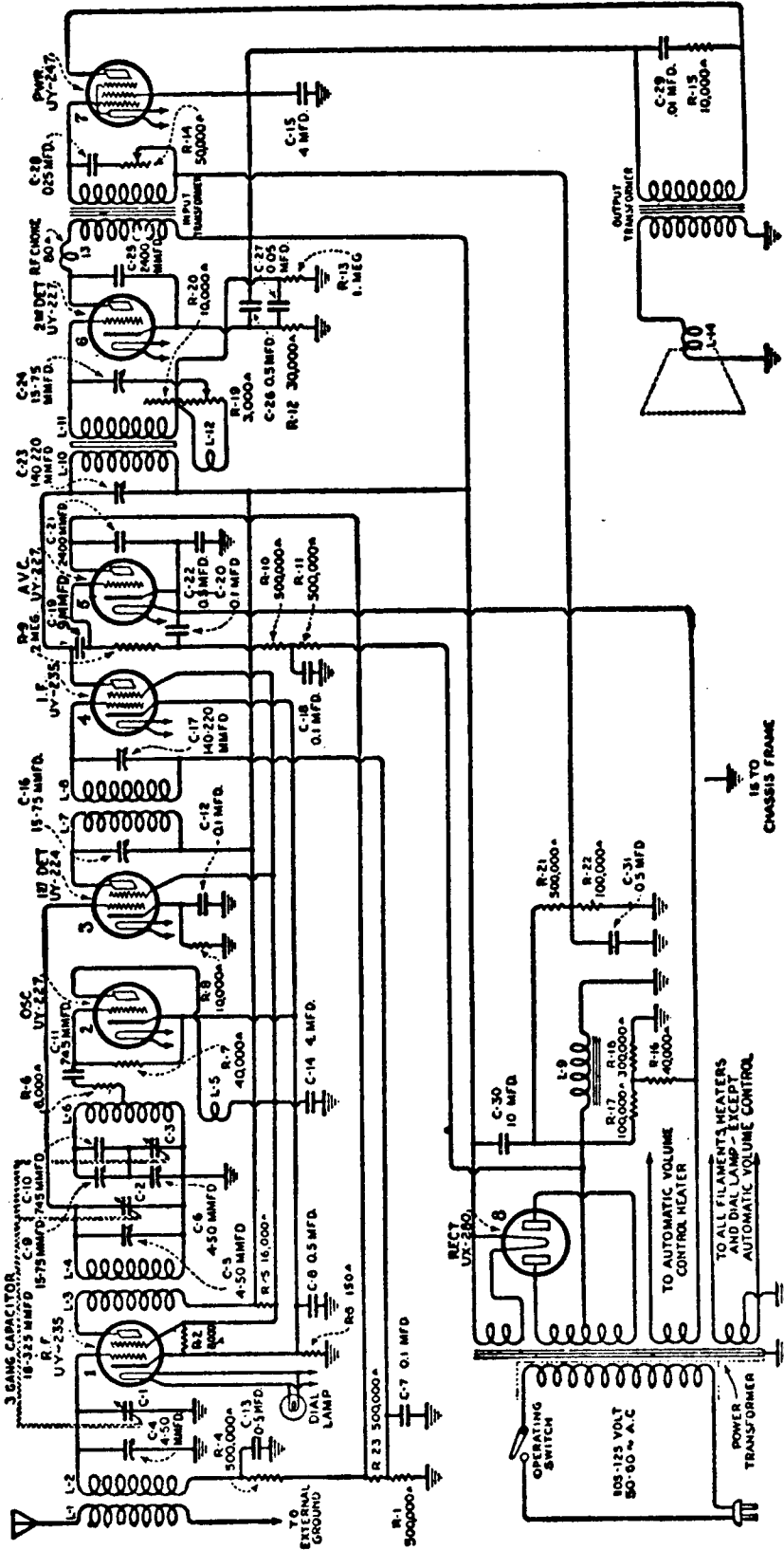


REPLACEMENT PARTS — MODEL R-104 & R-105

Insist on genuine factory tested parts, which are readily identified and may be purchased from authorized dealers.

Stock No.	DESCRIPTION	Stock No.	DESCRIPTION
RECEIVER ASSEMBLY			
2563	Resistor—6,000 ohms—Carbon type	2999	Drive shaft—Dial drive shaft with mounting screws and washers
7299	Capacitor—745 mmfd.	7241	Capacitor—3 gang tuning capacitor
S-1002	Capacitor—770 mmfd.	3056	Shield—Radiotron Shield—3 used
2745	Screw—Adjusting condenser screw	3000	Scale—Dial scale and drum with set screws.
2746	Socket—Dial lamp socket	7054	Cord—Power cord
2747	Cap—Grid connector cap—	S-1012	Capacitor—2,400 mmfd.—Secondary by-pass for audio
2749	Capacitor—2,400 mmfd.	S-1013	Capacitor—.025 mfd.—For tone control
2875	Knob—Tuning, volume control or tone control knob	3060	Resistor—40,000 ohms—Carbon type
2881	Bracket—Dial lamp bracket—	2963	Resistor—8,000 ohms—Carbon type
2882	Socket—UY Radiotron socket—6 used	3076	Resistor—1 megohm—Carbon type
S-1003	Capacitor Pack—By-pass capacitor pack	3077	Resistor—30,000 ohms—Carbon type
2968	Socket—UX Radiotron Socket—1 used	3078	Resistor—10,000 ohms—Carbon type
S-1060	Transformer—Power transformer—105-125 volts—50-60 cycles	3081	Resistor—16,000 ohms—Carbon type
S-1025	Transformer—Power transformer—105-125 volts—25-40 cycles	S-1014	Resistor—8,000 ohms—Carbon type
S-1004	Transformer Pack—Audio interstage and output transformer	3048	Resistor—500,000 ohms—Carbon type
2995	Volume Control—Complete less knob	S-1016	Resistor—100,000 ohms—Carbon type
S-1005	Tone control and switch—Tone control and operating switch—Complete less knob	3003	Cushion—Sponge rubber chassis support cushions—
2991	Transformer—First Intermediate Transformer	3005	Screw assembly—Speaker mounting screw assembly—Comprising one set of 4 screws, 4 eyelets, 4 nuts and 4 washers
S-1006	Transformer—Second Intermediate Transformer	3020	Escutcheon—Station selector escutcheon complete with 3 escutcheon pins
2994	Coil—Second detector plate coil complete with mounting rivet	3062	Board — Loudspeaker terminal board —
S-1303	Coil—Detector and oscillator coil—Complete with mounting screws and washers	8559	Ring—Cone retaining ring
S-1023	Coil—R. F. coil—Complete with mounting nuts and washers	8570	Shield—Intermediate transformer shield
		8601	Cone—Cone with voice coil
		S-1017	Coil—Speaker field coil, core and cone support

Model R-107 A.C. Receiver



ALIGNMENT PROCEDURE

R.F. & Det. Stages 1400 K.C.
 Oscillator Stage 600 K.C., 1400 K.C.
 Intermediate Frequency 175 K.C.

Align all stages for maximum peak.

REPLACEMENT PARTS — MODEL R-107

Insist on genuine factory tested parts, which are readily identified and may be purchased from authorized dealers.

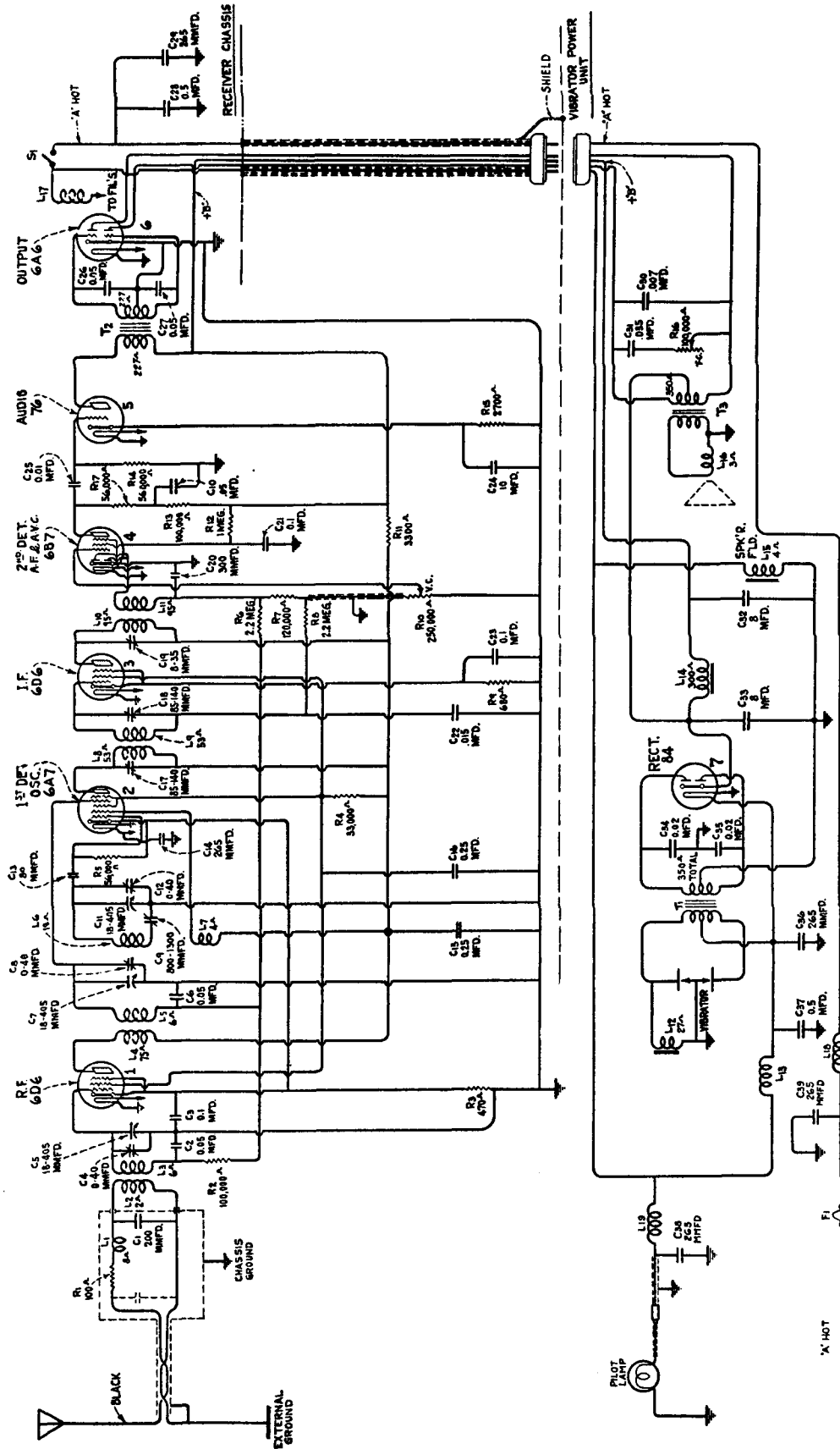
Stock No.	DESCRIPTION	Stock No.	DESCRIPTION
	RECEIVER ASSEMBLIES		
2563	Resistor—6000 Ohms—Carbon type.....	3081	Resistor—16,000 Ohms—Carbon type—3 watt.....
2730	Resistor—18,000 Ohms—Carbon Type....	3092	Control—Volume control with mounting nut.....
2734	Capacitor—745 mmfd.....	3095	Coil—R. F. Coil complete with resistor, mounting nuts and washers.....
2746	Socket—Tuning dial lamp socket.....	S-1138	Scale—Dial scale and drum.....
2747	Caps—Grid connector Caps—	S-1033	Tone control—Tone control and operating switch complete with mounting nut.....
2749	Capacitor—2400 mmfd. capacitor.....	S-1292	Coil—Detector and oscillator coil, complete with mounting screws and washers.....
S-1124	Knob—Station Selector knob.....	S-1034	Escutcheon—Tuning dial escutcheon with mounting screws.....
S-1123	Knob—Tone or volume control knob.....	S-1035	Resistor—300,000 Ohms—Carbon type—½ watt.....
2882	Socket—UY Radiotron socket with insulator—7 used.....	S-1065	Second detector plate R. F. choke coil complete with mounting screw nut and washer.....
2968	Socket—UX Radiotron socket with insulator—1 used.....	S-1037	Resistor—100,000 ohms—Carbon type—½ watt.....
S-1028	Cord—Tuning condenser drive cord—	S-1287	Cord—Power cord.....
S-1029	Spring—Tuning condenser drive cord tension spring—	7062	Capacitor—Adjustable oscillator trimmer condenser.....
3003	Cushions—Sponge rubber chassis cushions	S-1039	Capacitor—3 gang tuning capacitor complete with drive shaft, drum and cord....
S-1030	Capacitor—9 mmfd.—Capacitor.....	6319	Capacitor—.01 mfd.—Capacitor.....
S-1031	Bracket—Dial lamp bracket and indicator..	S-1040	Transformer—1st Intermediate Frequency transformer.....
3045	Resistor—40,000 Ohms—Carbon type—1 watt.....	S-1041	Transformer—2nd Intermediate Frequency transformer.....
3048	Resistor—500,000 Ohms—Carbon type—½ watt.....	S-1042	Capacitor Pack—By-pass capacitor pack...
2970	Resistor—500,000 Ohms—Carbon type—1 watt.....	S-1004	Transformer—Audio transformer pack....
3049	Resistor — 150 Ohms — Carbon type — ½ watt.....	S-1055	Transformer—Power transformer—105-125 volts—25-40 Cycles.....
S-1032	Resistor—2 megohms—Carbon type—½ watt.....	S-1061	Transformer—Power transformer—105-125 volts—50-60 Cycles.....
3056	Shield—Radiotron shield—4 Used.....	7362	Capacitor—.025 mfd.—Capacitor.....
3076	Resistor—1 megohm—Carbon type—½ watt.....	3062	Board — Loudspeaker terminal board—
3077	Resistor—30,000 Ohms—Carbon type—½ watt.....	8559	Ring—Cone retaining ring.....
3078	Resistor—10,000 ohms—Carbon type—½ watt.....	8601	Cone—Cone with voice coil.....
3079	Resistor—40,000 Ohms—Carbon type—½ watt.....	S-1017	Coil—Speaker field coil, cone and cone support.....

REPLACEMENT PARTS — MODEL R-109

Insist on genuine factory tested parts, which are readily identified and may be purchased from authorized dealers.

Stock No.	DESCRIPTION	Stock No.	DESCRIPTION
RECEIVER ASSEMBLY			
2563	Resistor—6,000 ohms—Carbon type.....	S-1124	Knob—Tone or Volume control knob.....
2730	Resistor—18,000 ohms—Carbon type.....	S-1029	Spring—Condenser drive spring—
2734	Capacitor—745 mmfd.....	3092	Volume control—Complete with mounting nut.....
2746	Socket—Dial lamp socket.....	3093	Tone control—Complete with mounting nut.
2747	Contact cap—.....	3094	Shield—Radiotron shield—1 used.....
2749	Capacitor—2400 mmfd.....	3095	Coil—R. F. coil—Complete with mounting bracket.....
S-1123	Knob—Tuning Control knob.....	3096	Coil—1st detector and oscillator coil—Com- plete with mounting bracket.....
2882	Socket—UY Radiotron socket—Complete with insulating shield—8 used.....	S-1138	Scale—Dial drum scale with set screws.....
2968	Socket—UX Radiotron socket—Complete with insulating shield—1 used.....	3098	Capacitor—0.008 mfd.....
S-1031	Bracket—Dial Lamp bracket and indicator.	3099	Capacitor—0.005 mfd.....
3046	Resistor—190,000 ohms—Carbon type.....	S-1287	Cord—Power cord.....
3047	Resistor—1500 ohms—Carbon type.....	7062	Capacitor—Adjustable oscillator trimmer capacitor.....
3048	Resistor—500,000 ohms—Carbon type.....	S-1039	Capacitor—3 gang tuning capacitor with mounting screws and washers.....
3049	Resistor—150 ohms—Carbon type.....	7266	Transformer—1st intermediate transformer.
3050	Resistor—14,000 ohms—Carbon type.....	7267	Transformer—2nd intermediate transformer.
3051	Resistor—5 megohm—Carbon type.....	7268	Coil—Detector or A.V.C. R.F. choke coil— Complete with mounting rivet.....
3053	Capacitor—9 mmfd.—.....	S-1063	Capacitor pack—In metal container.....
S-1034	Escutcheon—Station selector escutcheon— With 4 mounting screws.....	7270	Reactor—Filter reactor.....
3055	Cushion—Chassis support cushion—	7271	Transformer—Interstage transformer.....
3056	Shield—Radiotron shield—6 used.....	7272	Transformer—Power transformer—105-125 volt—50-60 cycles.....
3076	Resistor—1 megohm—Carbon type.....	7274	Transformer—Power transformer—105-125 volts—25-40 cycles.....
3077	Resistor—30,000 ohms—Carbon type.....	LOUDSPEAKER ASSEMBLY	
3078	Resistor—10,000 ohms—Carbon type.....	7257	Coil — Cone support with retaining ring, magnet and field coil.....
3079	Resistor—40,000 ohms—Carbon type.....	7258	Transformer—Output transformer.....
3085	Capacitor—400 mmfd.....	8559	Ring—Cone retaining ring.....
3089	Terminal board—Magnetic pickup terminal board.....	8601	Cone—Cone with voice coil.....
3090	Board—A. V. C. and 2nd detector R. F. choke mounting board—Less choke coils.		
S-1028	Cord—Condenser drive cord—		

Model M-109 Automobile Receiver



ALIGNMENT PROCEDURE

R.F. & Det. Stages 1400 K.C.
 Oscillator Stage 600 K.C., 1400 K.C.
 Intermediate Frequency 175 K.C.
 Align all stages for maximum peak.

REPLACEMENT PARTS MODEL M-109

Insist on genuine factory tested parts, which are readily identified and may be purchased from authorized dealers.

Stock No.	DESCRIPTION	Stock No.	DESCRIPTION
RECEIVER ASSEMBLIES			
4993	Bumper — Rubber bumper for condenser mounting bracket—	3584	Ring—Antenna, r-f, or oscillator coil retaining ring—
4955	Capacitor — Adjustable trimmer capacitor (C9).....	5129	Ring—Radiotron shield ring—
4246	Capacitor—80 mmfd. (C13).....	4953	Shield—First intermediate frequency transformer shield.....
5078	Capacitor—200 mmfd. (C14, C29).....	4956	Shield—Second intermediate frequency transformer shield.....
4248	Capacitor—300 mmfd. (C20).....	5037	Shield—Radiotron shield.....
4792	Capacitor—0.015 mfd. (C22).....	5058	Socket—5-contact Radiotron socket.....
4882	Capacitor—0.01 mfd. (C25).....	4946	Socket—6-contact Radiotron socket.....
4886	Capacitor—0.05 mfd. (C10).....	4947	Socket—7-contact Radiotron socket.....
4885	Capacitor—0.1 mfd. (C21).....	5060	Socket—7-prong Radiotron output socket....
4841	Capacitor—0.1 mfd. (C3, C23).....	5064	Stud—Variable condenser bracket mounting assembly—Comprising one stud, one bushing, one washer and one lockwasher.....
4967	Capacitor—0.25 mfd. (C15, C16).....	5057	Transformer—Driver transformer (T2).....
4011	Capacitor—0.5 mfd. generator capacitor.....	5055	Transformer—First intermediate frequency transformer (L8, L9, C17, C18).....
5054	Capacitor—10 mfd. (C24).....	5056	Transformer—Second intermediate frequency transformer (L10, L11, C19).....
4243	Capacitor pack—Comprising two 0.05 mfd. capacitors (C2, C6, C26, C27).....	5063	Worm—Condenser drive worm gear.....
5074	Clamp—Radiotron shield clamp.....		POWER UNIT ASSEMBLIES
4950	Coil—Antenna coil (L3, L4).....	5078	Capacitor—200 mmfd. (C36, C38, C39)....
5142	Coil—Choke coil (L17).....	5148	Capacitor—0.007 mfd. (C30).....
6967	Coil—Oscillator coil (L6, L7).....	5073	Capacitor—0.035 mfd. high-frequency tone control capacitor (C31).....
6966	Coil—R.F. coil (L4, L5).....	4490	Capacitor—0.5 mfd. (C37).....
5061	Condenser—3-gang variable tuning condenser (C4, C5, C7, C8, C11, C12).....	5070	Capacitor pack—Comprising two 0.02 mfd. capacitors (C34, C35).....
5018	Volume control (R10).....	5069	Capacitor pack—Comprising two 8 mfd. capacitors (C32, C33).....
5163	Filter—Antenna filter (R1, C1, L1).....	5075	Clamp—Mounting clamp for capacitor—Stock No. 4490.....
5062	Gear—Condenser drive gear—Located on condenser drive shaft.....	5068	Cup—Grounding cup.....
5030	Resistor—Carbon type— $\frac{1}{4}$ watt—470 ohms (R3)—	4693	Clamp—Mounting clamp for capacitor—Stock No. 5069.....
5031	Resistor—680 ohms—Carbon type— $\frac{1}{4}$ watt (R9)—	5143	Coil—Choke coil (L18, L19).....
5144	Resistor — 2700 ohms — Carbon type — $\frac{1}{4}$ watt (R15)—	5072	Tone control (R16).....
5147	Resistor — 3300 ohms — Carbon type — 1 watt (R11).....	4085	Knob—Tone control knob—
5033	Resistor — 33,000 ohms — Carbon type — 1 watt (R4)—	7778	Reactor—Filter reactor (L13).....
5029	Resistor—56,000 ohms—Carbon type— $\frac{1}{4}$ watt (R5, R17)—	5066	Reactor—Filter reactor (L14).....
3118	Resistor—100,000 ohms—Carbon type— $\frac{1}{4}$ watt (R2, R13)—	5071	Receptacle—Power cable plug female receptacle—5-contact—Female section.....
5035	Resistor—560,000 ohms—Carbon type— $\frac{1}{4}$ watt (R14)—	6980	Socket—4-contact vibrator socket.....
3033	Resistor—1 megohm—Carbon type— $\frac{1}{4}$ watt (R12)—		

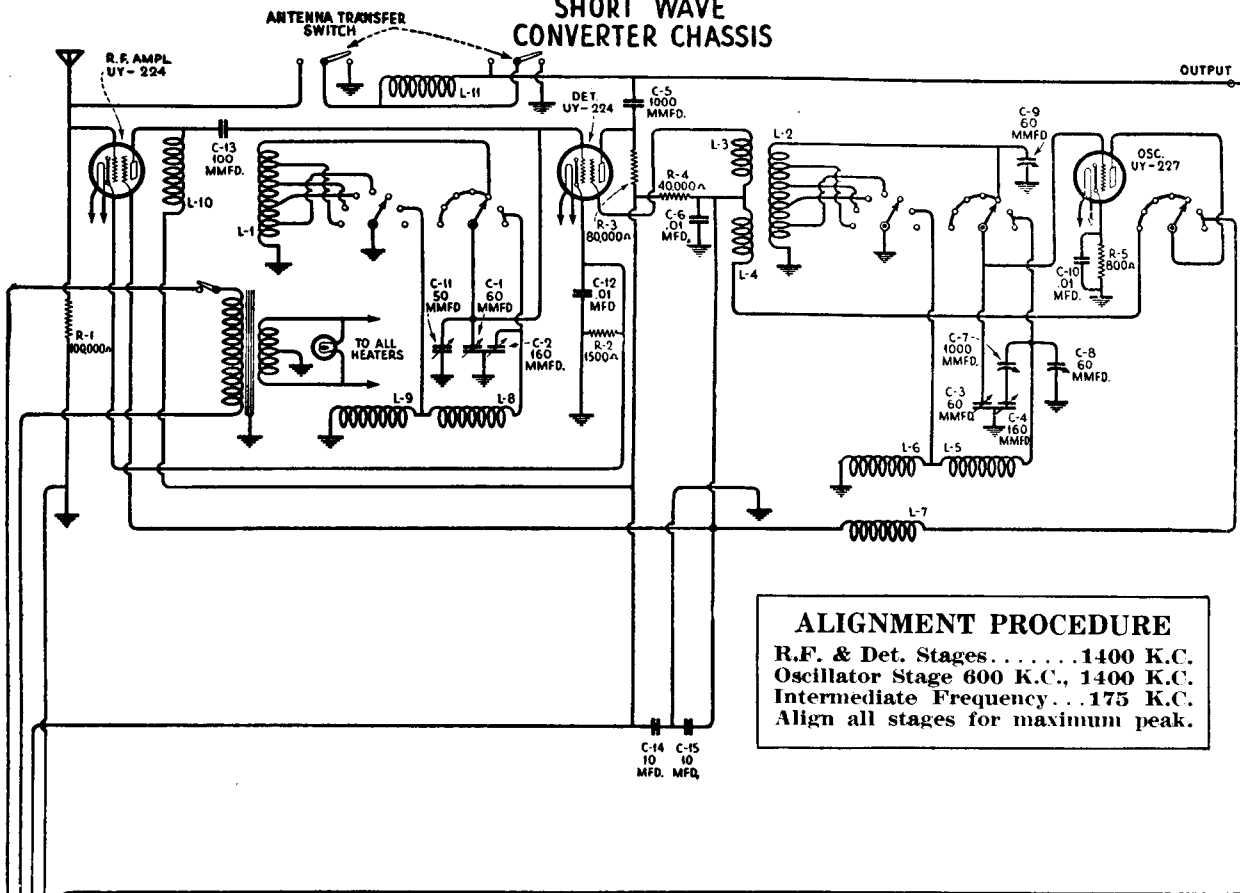
REPLACEMENT PARTS MODEL M-109 (Continued)

Insist on genuine factory tested parts, which are readily identified and may be purchased from authorized dealers.

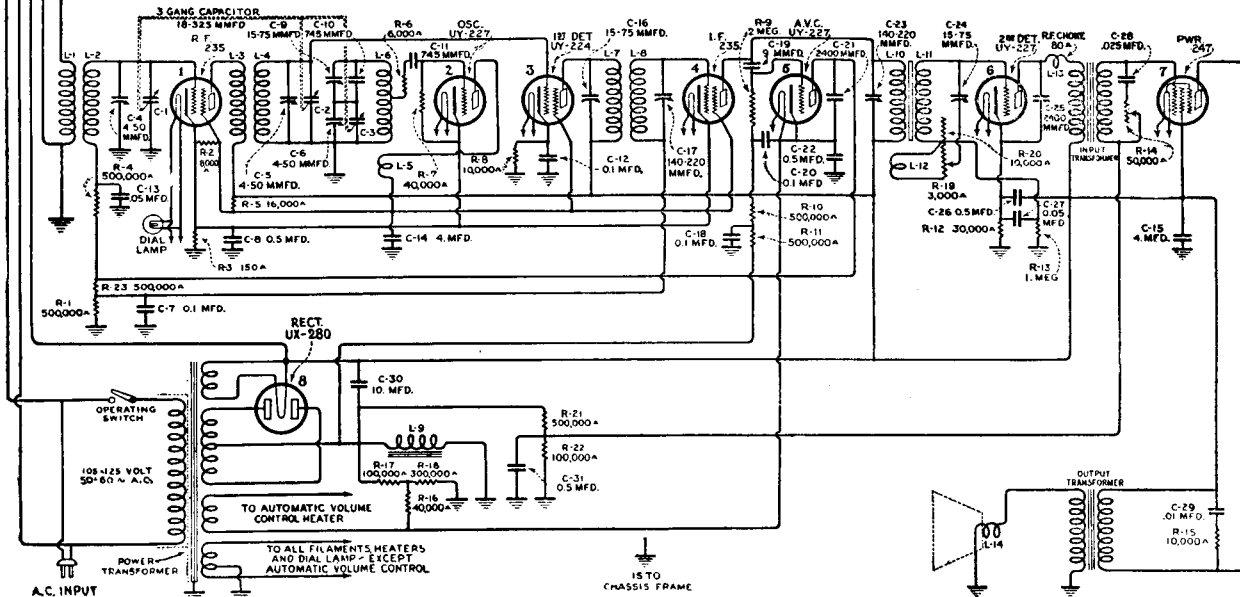
Stock No.	DESCRIPTION	Stock No.	DESCRIPTION
5058	Socket—5-contact Radiotron socket or reproducer plug receptacle	4991	Lamp—Dial lamp—
5065	Transformer—Power transformer (T1)	7866	Plate—Bearing plate assembly—Comprising plate, gear and shaft, volume control shaft, station selector shaft, pinion and spring
5067	Vibrator—Complete (L12)	4986	Screw—Oval fillister head machine screw—Fastens bracket and center section of control box housing
CABLE ASSEMBLIES			
4976	Cable—Antenna lead assembly—Single-conductor with male section of antenna connector	5042	Screw—No. 8-32- $\frac{3}{8}$ " headless set screw for station selector or volume control shaft—
7766	Cable—Power lead with clip and female section of fuse connector—To ammeter	4983	Shaft—Station selector drive shaft
5059	Cable—Main power cable—Complete—With male section of connector plug, fuse connector and fuse, ammeter clip and female section of pilot light cable connector	4979	Shaft—Volume control drive shaft
5150	Cap—Cap for power cable plug	4984	Socket—Dial lamp socket
5149	Plug—Power cable plug—Less cap	4982	Spring—Holding spring for station selector or volume control knob—
FLEXIBLE SHAFT ASSEMBLIES			
5000	Bracket—Flexible drive shaft connection bracket—Mounted on housing	4980	Spring—Tension spring—
4973	Coupling—Tuning condenser flexible drive shaft coupling	5011	Strap—Control box mounting strap
5141	Coupling—Volume control flexible drive shaft coupling	REPRODUCER ASSEMBLIES	
3903	Screw—No. 8-32- $\frac{3}{16}$ " headless set screw for flexible drive shaft coupling—	9597	Coil—Field coil (L15)
7855	Shaft—Tuning condenser or volume control flexible drive shaft—Approximately 28 $\frac{3}{8}$ " long	9598	Cone—Reproducer cone (L16)—
CONTROL BOX ASSEMBLIES			
4987	Bezel—Station selector dial bezel	9596	Reproducer—Complete
7865	Box—Control box—Complete	4995	Screw—Reproducer mounting screw—
7864	Bracket—Mounting bracket and rear section of control box housing	5090	Transformer—Output transformer (T3)
4988	Crystal—Station selector dial crystal	MISCELLANEOUS ASSEMBLIES	
4989	Dial—Station selector dial	4244	Cap—Grid contact cap—
4981	Gear—18-tooth intermediate drive gear	4293	Capacitor—0.5 mfd. ammeter capacitor
4978	Gear—Indicator drive gear and shaft	5025	Capacitor—0.5 mfd. generator capacitor
7862	Housing—Front section of control box housing	7871	Case—Complete—With top and bottom cover—Less screws
7863	Housing—Center section of control box housing	7952	Cover—Bottom cover of receiver case—Less screws
4990	Indicator—Station selector (pointer) indicator	7953	Cover—Top cover of receiving case—Less screws
4985	Knob—Station selector or volume control knob—	5023	Fuse—15-ampere—
		4985	Knob—
		4999	Screw—No. 8- $\frac{1}{4}$ " slotted hex-head self-tapping screw—
		5037	Shield—Radiotron shield
		4992	Stud—Receiver mounting stud, nut and washer—
		5024	Suppressor—Distributor suppressor
		5067	Vibrator—Complete

Models RO-112 & SWA-102 A.C. Receivers

SHORT WAVE CONVERTER CHASSIS



BROADCAST RECEIVER CHASSIS



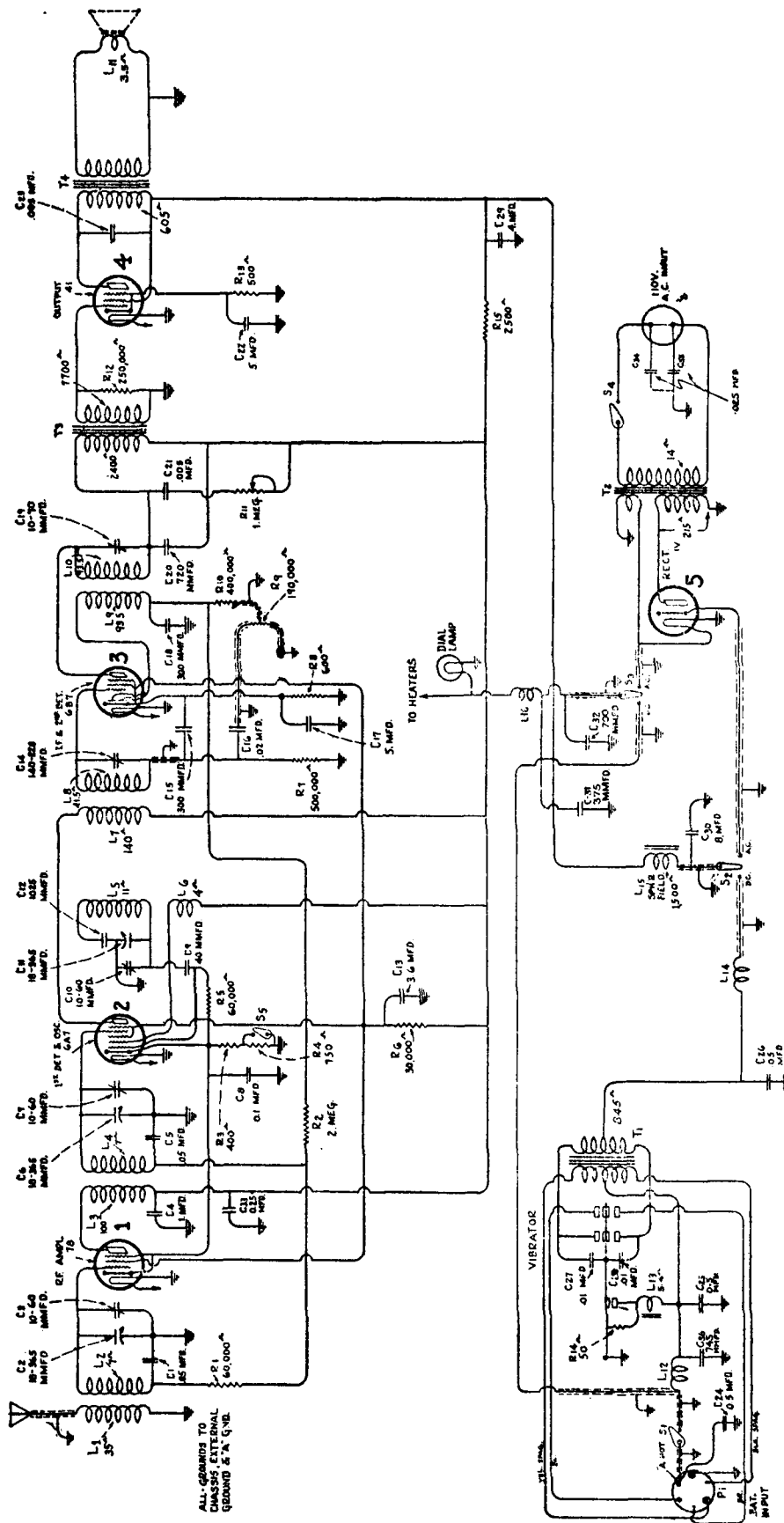
NOTE: On some models operating switch for broadcast receiver is in circuit to Converter.

REPLACEMENT PARTS — MODELS RO-112 & SWA-102

Insist on genuine factory tested parts, which are readily identified and may be purchased from authorized dealers.

Stock No.	DESCRIPTION	Stock No.	DESCRIPTION
	LONG WAVE RECEIVER	8837	Support—Receiver chassis metal mounting support
2563	Resistor—6,000 ohms—Carbon type—1 watt	S-1034	Escutcheon—Tuning dial escutcheon
2963	Resistor—8,000 ohms—Carbon type—1 watt		LOUDSPEAKER ASSEMBLY
2746	Socket—Dial lamp socket	S-1017	Coil assembly—Comprising field coil, cone bracket and magnet
2747	Cap—Grid contactor caps	8559	Ring—Cone retaining ring
2749	Capacitor—2400 mmfd.	8601	Cone—Speaker cone
2882	Socket—UY Radiotron socket complete with insulation strip		SHORT WAVE RECEIVER
2968	Socket—UX Radiotron socket—Complete with insulation strip	2747	Cap—Grid contactor cap
2970	Resistor—500,000 ohms—Carbon type—1 watt	S-1074	Knob—Station selector or Resonator knob
S-1074	Knob—Tuning control, volume control or tone control knob	3058	Resistor—100,000 ohms—Carbon type—1 watt
3003	Cushion—Receiver chassis rubber cushion	3153	Resistor—1,500 ohms—Carbon type—1 watt
S-1030	Capacitor—9 mmfd.	S-1077	Cord—Drive cord
S-1031	Bracket—Dial lamp bracket and indicator	S-1029	Spring—Drive cord tension spring
3045	Resistor—40,000 ohms—Carbon type—1 watt	S-1104	Socket—UY Radiotron socket—Complete with insulation strip
3048	Resistor—500,000 ohms—Carbon type— $\frac{1}{2}$ watt	S-1078	Switch—"Off and On"—Toggle switch complete with mounting nut
3049	Resistor—150 ohms—Carbon type— $\frac{1}{2}$ watt	S-1079	Drive shaft and pulley
3056	Shield—Radiotron shield	S-1080	Coil—For resistor board assembly
3076	Resistor—1 megohm—Carbon type— $\frac{1}{2}$ watt	S-1081	Coil—Coil assembly complete with mounting eyelet—For switch and bracket assembly
3077	Resistor—30,000 ohms—Carbon type— $\frac{1}{2}$ watt	S-1082	Socket—Dial lamp socket and bracket with mounting rivets
3078	Resistor—10,000 ohms—Carbon type— $\frac{1}{2}$ watt	S-1085	Capacitor—1,000 mmfd.
3079	Resistor—40,000 ohms—Carbon type— $\frac{1}{2}$ watt	S-1073	Resistor—800 ohms—Carbon type—1 watt
3081	Resistor—16,000 ohms—Carbon type—3 watt	S-1076	Resistor—80,000 ohms—Carbon type—1 watt
3092	Volume control—Volume control complete with mounting nut	S-1068	Resistor—40,000 ohms—Carbon type—3 watt
S-1033	Tone control—Tone control complete with mounting nut	S-1083	Coupling—Switch lever shaft coupling bushing with 2 groove pins
3095	Coil—R. F. coil	S-1084	Switch—Antenna transfer toggle switch
S-1292	Coil—1st detector and oscillator coil	S-1086	Binding post—Complete with terminal lug, mounting washer and nut
S-1065	Coil—Choke coil	6109	Knob—Knob with pointer
S-1066	Board—Terminal board with 1 soldering terminal	S-1087	Dial lamp shield and indicator
S-1028	Cord—Drive cord	S-1090	Escutcheon—Band selector switch knob escutcheon
S-1029	Spring—Drive cord tension spring	S-1088	Cushion—Receiver chassis rubber cushion
S-1037	Resistor—100,000 ohms—Carbon type— $\frac{1}{2}$ watt	7062	Capacitor—Adjustable capacitor—15-70 mmfd.
S-1067	Resistor—500,000 ohms—Carbon type— $\frac{1}{4}$ watt	S-1091	Capacitor—0.01 mfd.
S-1035	Resistor—300,000 ohms—Carbon type— $\frac{1}{2}$ watt	S-1095	Capacitor—Double adjustable capacitor—One section 10-70 mmfd., one section 800-1000 mmfd.
S-1032	Resistor—2 megohm—Carbon type— $\frac{1}{2}$ watt	S-1089	Coil—High frequency detector coil
S-1287	Cord—Power cord	S-1092	Coil—Low frequency detector and oscillator coil
7062	Capacitor—Adjustable capacitor—15-70 mmfd.	S-1093	Coil—High frequency oscillator coil
6319	Capacitor—0.01 mfd.	S-1094	Capacitor—Variable capacitor—7 plate—Complete with mounting nut and washer
2734	Capacitor—745 mmfd.	S-1096	Transformer—Filament power transformer—105-120 volts—60 cycles
S-1040	Transformer—1st Intermediate transformer	S-1097	Transformer—Filament power transformer—105-120 volts, 25 cycles
S-1041	Transformer—2nd Intermediate transformer	S-1099	Lever—Switch lever assembly—Comprising shaft, 3 switch levers and coupling bushing
S-1042	Capacitor—Comprising two 0.05 mfd., four 0.5 mfd., one 10.0 mfd., two 4.0 mfd. and four 0.1 mfd. capacitors in metal container	S-1100	Switch—Band selector switch complete with mounting washer and nut
S-1004	Transformer—Audio transformer	S-1101	Capacitor—Tuning capacitor assembly
S-1061	Transformer—Power transformer—110 volts—60 cycles	S-1102	Dial drum and scale
7362	Capacitor—0.025 mfd.	8837	Support—Chassis metal mounting support
S-1138	Drum—Dial drum and scale	S-1103	Capacitor—100 mmfd.
S-1070	Capacitor—20 mfd. electrolytic capacitor—In metal container	S-1107	Escutcheon—Metal bezel for dial
S-1055	Transformer—Power transformer—25 cycles		
S-1039	Capacitor—Variable tuning capacitor		

Model M-116 Portable A.C. and Automobile Receiver



ALIGNMENT PROCEDURE

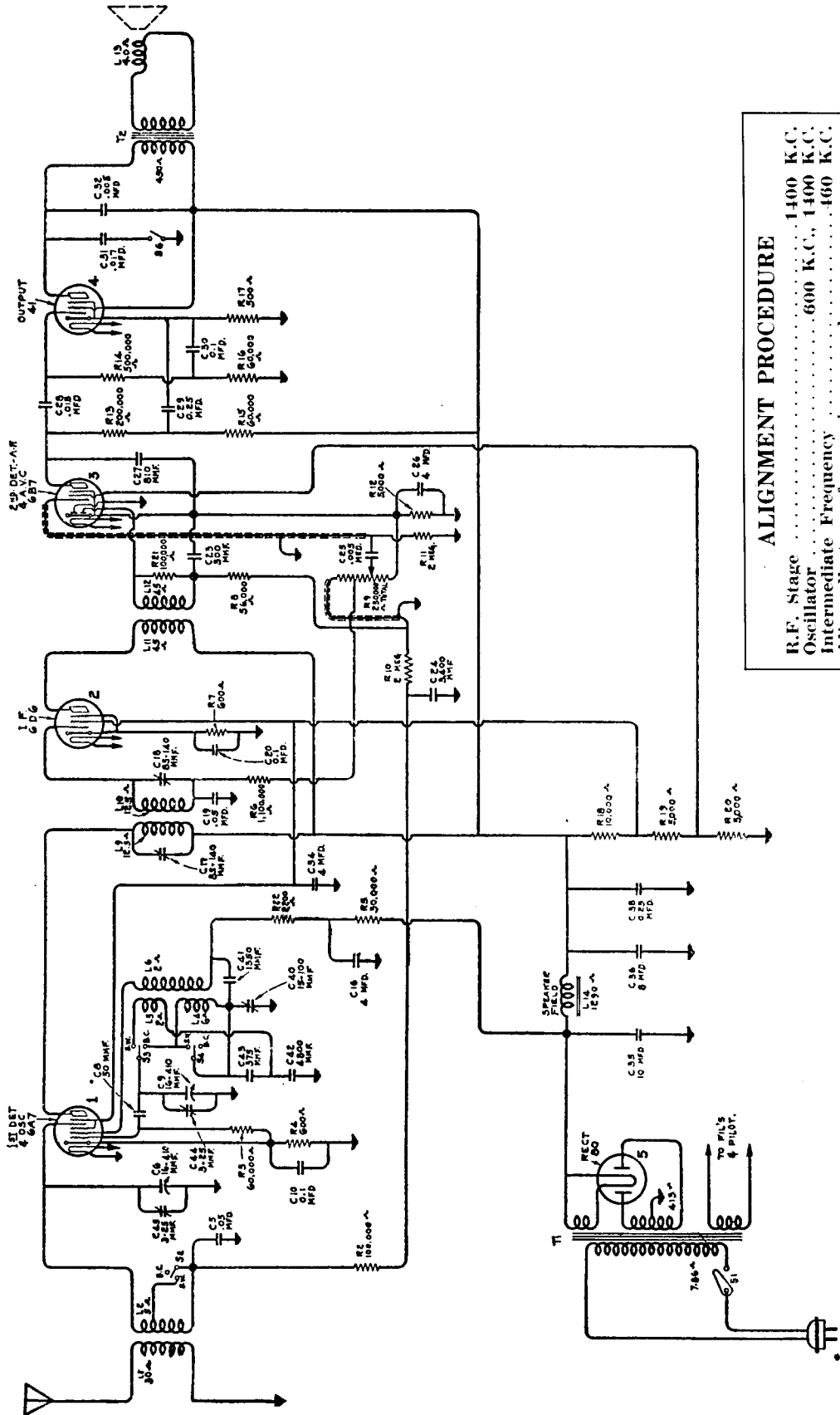
R.F. & Det. Stages 1400 K.C.
 Oscillator Stage 600 K.C., 1400 K.C.
 Intermediate Frequency 175 K.C.
 Align all stages for maximum peak.

REPLACEMENT PARTS — MODEL M-116

Insist on genuine factory tested parts, which are readily identified and may be purchased from authorized dealers.

Key No.	Stock No.	DESCRIPTION	Key No.	Stock No.	DESCRIPTION		
RECEIVER ASSEMBLIES							
R-7	S-1067	Resistor—500,000 ohms—1/4 Watt.	S-1 } S-2 } S-3 } S-4 } T-3 } C-4 } C-13 } C-29 } T-2 } T-1 } T-2 }	6749	Switch—A.C.—D.C. Switch.		
R-5	S-1121	Resistor—60,000 ohms—Carbon Type—1/2 Watt.			6759	Transformer—Interstage transformer.	
C-16	S-1151	Socket—6 Contact Tube Socket.			6781	Capacitor—Comprising one 3.6 mfd. and one 1.0 mfd. capacitor.	
	S-1225	Lamp—Station Selector Dial Lamp.			6782	Capacitor—4.0 mfd. capacitor.	
R-6	S-1382	Capacitor—0.02 mfd. Capacitor.			9456	Power transformer—105-125 Volt 50-60 cycles.	
	S-1404	Cap—Contact Cap.			9457	Transformer—Power Transformer—9 Volts.	
C-36	2240	Resistor—30,000 ohms—Carbon Type—1 Watt			S-1426	Power Transformer—105-125 Volt—25 Cycles.	
	2734	Capacitor—745 mmfds. Capacitor.			CABLE ASSEMBLIES		
	2917	Washer—"C" washer for Condenser drum and shaft assembly.			3466	Antenna Lead-in Connector.	
R-8	3218	Resistor—600 ohms—Carbon Type—1/4 Watt			3646	Fuse—20 amperes—	
R-15	3469	Resistor—2,500 ohms—Carbon Type—1 watt	4008	Shield—Metal shield for Cable Plug —			
C-17 } C-22 }	3536	Capacitor—Comprising two 5.0 mfd. sections.	4009	Terminal—Metal terminal (plain) for battery connection—			
	3572	Socket—Seven contact radiotron tube socket.	4010	Terminal—Metal terminal engraved—"Batt.—Ground" for Battery connection—			
	3581	Ring—Antenna, R.F. or Oscillator coil retaining ring—0.25 mfd. Capacitor.	6150	Plug—Battery Cable Plug.			
C-33	3597	Capacitor—0.25 mfd. Capacitor.	6516	Connector—Fuse Connector.			
R-1	3602	Resistor—60,000 ohms—Carbon Type—1/4 Watt.	6760	Cable—7 Conductor shielded switch cable.			
R-10	3619	Resistor—400,000 ohms—Carbon Type—1/4 Watt.	6761	Cable—2 Conductor shielded—approximately 10 1/2 inches long, from resistor board to volume control.			
L-14	3621	Coil—Choke coil—Located on Terminal Board	6762	Lead—Antenna lead-in—Approximately 15 3/4 Inches long—with connector.			
	3623	Shield—Antenna, R.F. or Oscillator coil shield	6773	Cable—Battery cable—Overall length approximately 61 inches—Complete with plug—fuse connector and terminals.			
R-13	3632	Resistor—500 ohms—Carbon Type.	6775	Cable—Battery Cable—Overall length approximately 105 inches—Complete with plug, fuse, fuse connector and terminals.			
C-9	3696	Capacitor—40 mmfds. Capacitor.	6777	Cable—Antenna lead-in cable—Shielded approximately 98 inches long with connector.			
C-20	3699	Capacitor—720 mmfds.	MISCELLANEOUS PARTS				
R-12	3744	Resistor—250,000 ohms—Carbon Type—1/4 Watt.	S-1182	Suppressor—Distributor Suppressor.			
C-25	3751	Capacitor—0.5 mfd. Capacitor.	S-1201	Suppressor—Spark plug suppressor.			
	3768	Screw—Set screw for tuning condenser drive drum—	S-1202	Suppressor—Distributor suppressor—splice in type.			
C-8	3877	Capacitor—0.1 mfd. Capacitor.	3960	Handle—Carrying handle.			
C-1 } C-5 } C-23 }	3888	Capacitor—0.05 mfd. Capacitor.	3961	Knob—Tone control—volume control or suppressor switch knob—			
	3920	Capacitor—0.003 mfd. Capacitor.	3962	Knob—Station selector knob.			
	3954	Chassis mounting screw and washer assembly	3963	Knob—"AC—Auto" switch knob—			
L-12	3955	Coil—Choke coil—located on terminal board.	3964	Bezel—Metal Bezel for station selector dial glass.			
	3956	Clamp—Capacitor mounting clamp—	3965	Glass—Station selector dial glass.			
	3957	Indicator—Station selector indicator pointer	3966	Spring—Contact Spring—Grounds vibrator shield to case—			
	3958	Plug—2 Contact "AC" Connection plug.	C-24	Capacitor—.05 mfd.			
	3959	Plug—6 Contact "DC" Connection Plug.	4011	Scale Station selector dial scale.			
	3968	Spring—Tuning Condenser Drive Cord Tension Spring—	6494	Capacitor—.05 mfd. Ammeter capacitor.			
	3969	Cord—Tuning condenser drive cord—	6495	Capacitor—.05 mfd.—Generator capacitor.			
	3970	Drum and Shaft assembly—Small—for tuning condenser drive.	6670	Suppressor—Spark plug suppressor—"Elbow" type.			
	3971	Escutcheon—Switch escutcheon engraved "Auto—AC"	6763	Cord—Power Cord with Connectors.			
	3972	Drum and Bushing assembly—Large—for tuning condenser drive.	7694	Vibrator—Complete.			
C-12	4001	Capacitor—1.025 mmfds. capacitor.	7696	Housing—Metal housing—Top section.			
C-31	4002	Capacitor—375 mmfds. capacitor.	7697	Base—Housing Base.			
R-4	4020	Resistor—750 ohms—Carbon Type—1/4 Watt.	9050	Oscillator—Test Oscillator 150-25,000 K.C.			
C-34 } C-35 }	4089	Capacitor—Two .025 mfd. capacitors.	6750	Screen—Dust Screen.			
	4104	Shield—Radiotron tube shield.	6751	Screen—Metal Screen.			
R-2	6242	Resistor—2 megohms—Carbon Type—1/4 watt	6764	Transformer—Output transformer.			
	6300	Socket—4 Contact Tube Socket.	6772	Ring—Felt Ring—Used between speaker and metal housing.			
C-21	6512	Capacitor—.005 mfd.	8987	Cone—Reproducer cone.			
C-30	6738	Capacitor—8 mfd.	9458	Reproducer Complete.			
	6739	Condenser—3 Gang Tuning Condenser.	9459	Coil—Comprising field coil, magnet and cone support.			
	6740	Transformer—First I. F. Transformer.	REPRODUCER ASSEMBLIES				
	6741	Transformer—Second I. F. Transformer.					
	6742	Coil—Antenna Coil Assembly.					
	6743	Coil—R. F. Coil Assembly.					
C-26	6744	Capacitor—.05 mfd.					
	6745	Coil—Oscillator Coil Assembly.					
R-9	6746	Control—Volume Control.					
R-11	6747	Control—Tone Control.					
S-5	6748	Switch—Noise Suppressor Switch.					

Models 117, 214, C5-1 & T5-1, A.C. Receivers



ALIGNMENT PROCEDURE

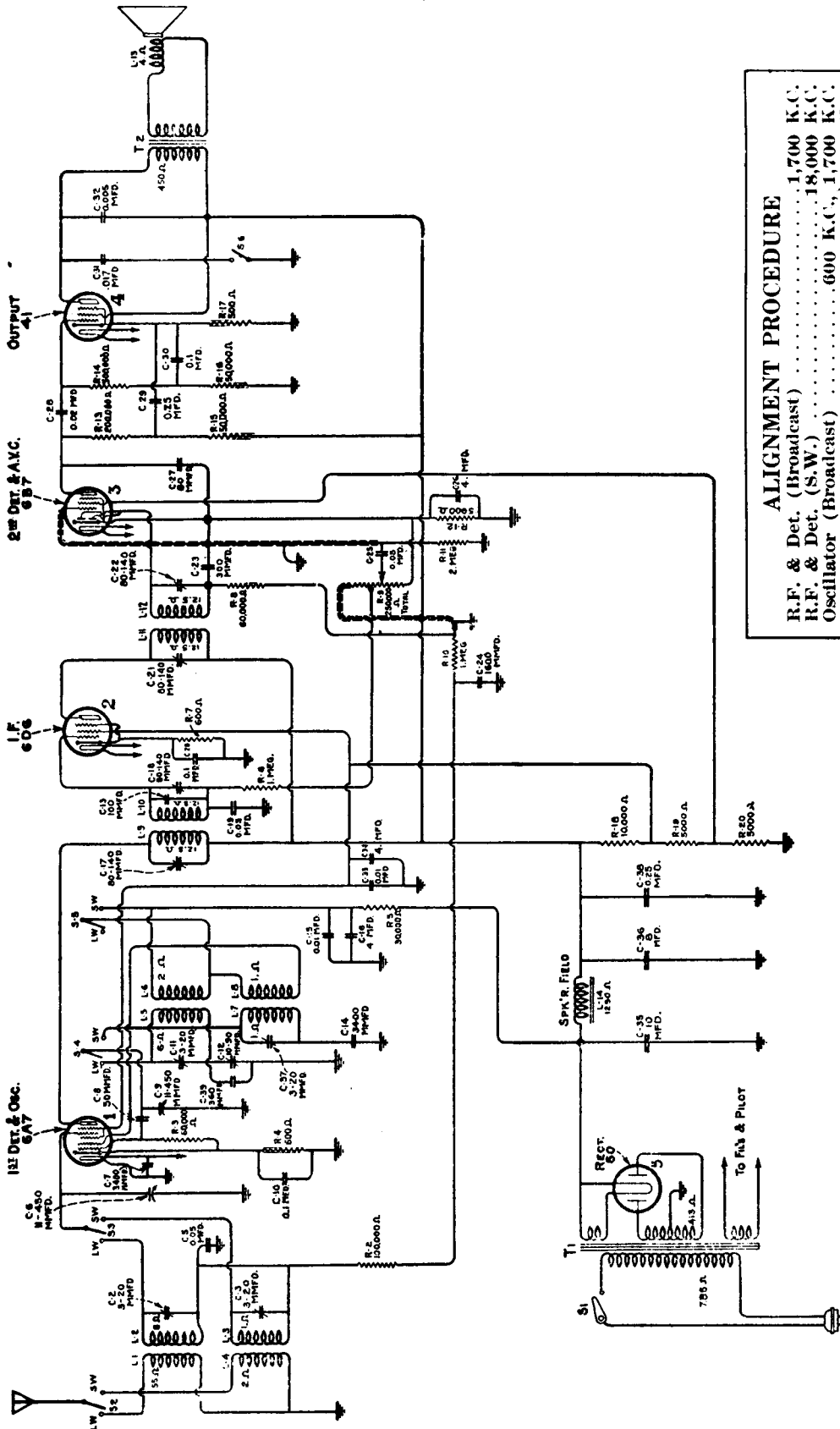
R.F. Stage	1400 K.C.
Oscillator	600 K.C., 1400 K.C.
Intermediate Frequency	460 K.C.
Align all stages for maximum peak.	

REPLACEMENT PARTS—Models 117, 214, C5-1 & T5-1

Insist on genuine factory tested parts, which are readily identified and may be purchased from authorized dealers.

Key No.	Stock No.	DESCRIPTION	Key No.	Stock No.	DESCRIPTION
RECEIVER ASSEMBLIES					
	4379	Board—Terminal Board—Engraved "ANT-GND"		3623	Shield—Oscillator coil shield.....
	5043	Bracket—First I.F. Transformer mounting bracket—		3782	Shield—Second Detector radiotron shield.....
	4880	Bracket—Tone control switch mounting bracket		S-1415	Shield—First Detector and output radiotron shield.....
	4427	Bracket—Volume control mounting bracket.....		S-1140	Shield—I.F. Radiotron shield.....
C-40	S-1404	Cap—Grid contact cap—	S-2	3858	Socket—Dial lamp socket assembly.....
C-8	S-1360	Capacitor—Adjustable capacitor.....	S-3	4784	Socket—4 contact radiotron socket.....
C-43	4913	Capacitor—50 mmfd.....	S-4	4786	Socket—6 contact output radiotron socket.....
C-27	5044	Capacitor—375 mmfd.....	S-6	S-1151	Socket—6 contact radiotron socket.....
C-41	4914	Capacitor—810 mmfd.....	L-9	3572	Socket—7 contact radiotron socket.....
C-24	4881	Capacitor—1,350 mmfd.....	L-10		
C-42	4912	Capacitor—3,400 mmfd.....	C-17	4900	Transformer—First I.F. Transformer.....
C-25	4793	Capacitor—4,800 mmfd.....	C-18		
C-32	4868	Capacitor—0.005 mfd.....	L-11		
C-28	4792	Capacitor—0.005 mfd.....	L-12		
C-31	4906	Capacitor—0.015 mfd.....	R-8	4901	Transformer—Second I.F. transformer.....
C-5		Capacitor—0.017 mfd.....	R-21		
C-19	4836	Capacitor—0.05 mfd.....	C-23		
C-10			T-1	4898	Transformer—Power transformer 105-125 Volts—25-30 cycle.....
C-20	4791	Capacitor—0.1 mfd.....		4897	Transformer—Power transformer 105-125 Volts—50-60 cycle.....
C-30				CONDENSER DRIVE ASSEMBLIES	
C-29	3597	Capacitor—0.25 mfd.....		5048	Dial—Station selector dial.....
C-38	3796	Capacitor—4.0 mfd.....		5046	Drive—Tuning condenser drive assembly—complete.....
C-26	4428	Capacitor—8.0 mfd.....		4475	Indicator—Station selector (Indicator) Pointer.....
C-36	4428	Capacitor—8.0 mfd.....		4256	Lamp—Station selector dial lamp—
C-35	7790	Capacitor—10.0 mfd.....		6672	Screen—Translucent screen for dial light—
C-16	S-1435	Capacitor pack—Comprising two 4.0 mfd. capacitors.....		5047	Shaft—Condenser drive shaft.....
C-34				REPRODUCER ASSEMBLIES (Console Model)	
L-1				5048	Dial—Station selector dial.....
L-2				5046	Drive—Tuning condenser drive assembly—complete.....
R-2	4903	Coil—Antenna Coil.....		4475	Indicator—Station selector (Indicator) Pointer.....
C-5				4256	Lamp—Station selector dial lamp—
L-4				6672	Screen—Translucent screen for dial light—
L-5	4902	Coil—Oscillator Coil.....		5047	Shaft—Condenser drive shaft.....
L-6				REPRODUCER ASSEMBLIES (Table Model)	
C-6					
C-9	4896	Condenser—2 gang variable tuning Condenser.....			
C-44					
C-45					
R-9	4790	Volume control.....	L-14	S-1397	Coil—Field coil, magnet and cone support.....
S-1			L-13	8935	Cone—Reproducer cone.....
	5045	Lead—Single conductor—Shielded lead from volume control to resistor.....	T-2	9527	Reproducer—Complete.....
R-4	3218	Resistor—600 ohms—Carbon type— $\frac{1}{4}$ watt.....		4472	Transformer—Output transformer.....
R-7	5185	Resistor—2200 ohms—Carbon type— $\frac{1}{2}$ watt.....		REPRODUCER ASSEMBLIES (Table Model)	
R-22	4436	Resistor—5000 ohms—Carbon type— $\frac{1}{4}$ watt.....			
R-12	2240	Resistor—30,000 ohms—Carbon type—1 watt.....			
R-5			L-14	9531	Coil—Field coil, magnet and cone support.....
R-3	3602	Resistor—60,000 ohms—Carbon type— $\frac{1}{4}$ watt.....	L-13	9588	Cone—Reproducer cone.....
R-15				S-1515	Reproducer—Complete.....
R-16	3118	Resistor—100,000 ohms—Carbon type— $\frac{1}{4}$ watt.....	T-2	S-1473	Transformer—Output transformer.....
R-2	3116	Resistor—200,000 ohms—Carbon type— $\frac{1}{4}$ watt.....			
R-13	S-1067	Resistor—500,000 ohms—Carbon type— $\frac{1}{4}$ watt.....			
R-14	4783	Resistor—1,100,000 ohms—Carbon type— $\frac{1}{4}$ watt.....			
R-6				MISCELLANEOUS ASSEMBLIES	
R-10	6242	Resistor—2 megohms—Carbon type— $\frac{1}{4}$ watt.....		6706	Bezel—Station selector dial bezel.....
R-11				6707	Crystal—Station selector dial crystal.....
R-17				6708	Ring—Spring retaining ring for dial crystal—
R-18	4721	Resistor—Tapped resistor, one 10,000 ohms, two 5,000 ohms and one 500 ohms, sections.....		4449	Knob—Station selector, volume control or tone control knob.....
R-19	3584	Ring—Oscillator coil retaining ring—		4917	Screw—Chassis mounting screw and washer assembly (for Table Model)—
R-20	4908	Shield—Second I.F. Transformer shield.....		5178	Screw—Chassis mounting screw and washer assembly (For Console Model)—
	5186	Shield—First I.F. Transformer shield.....			

Models 118 & 211 A.C. Receivers

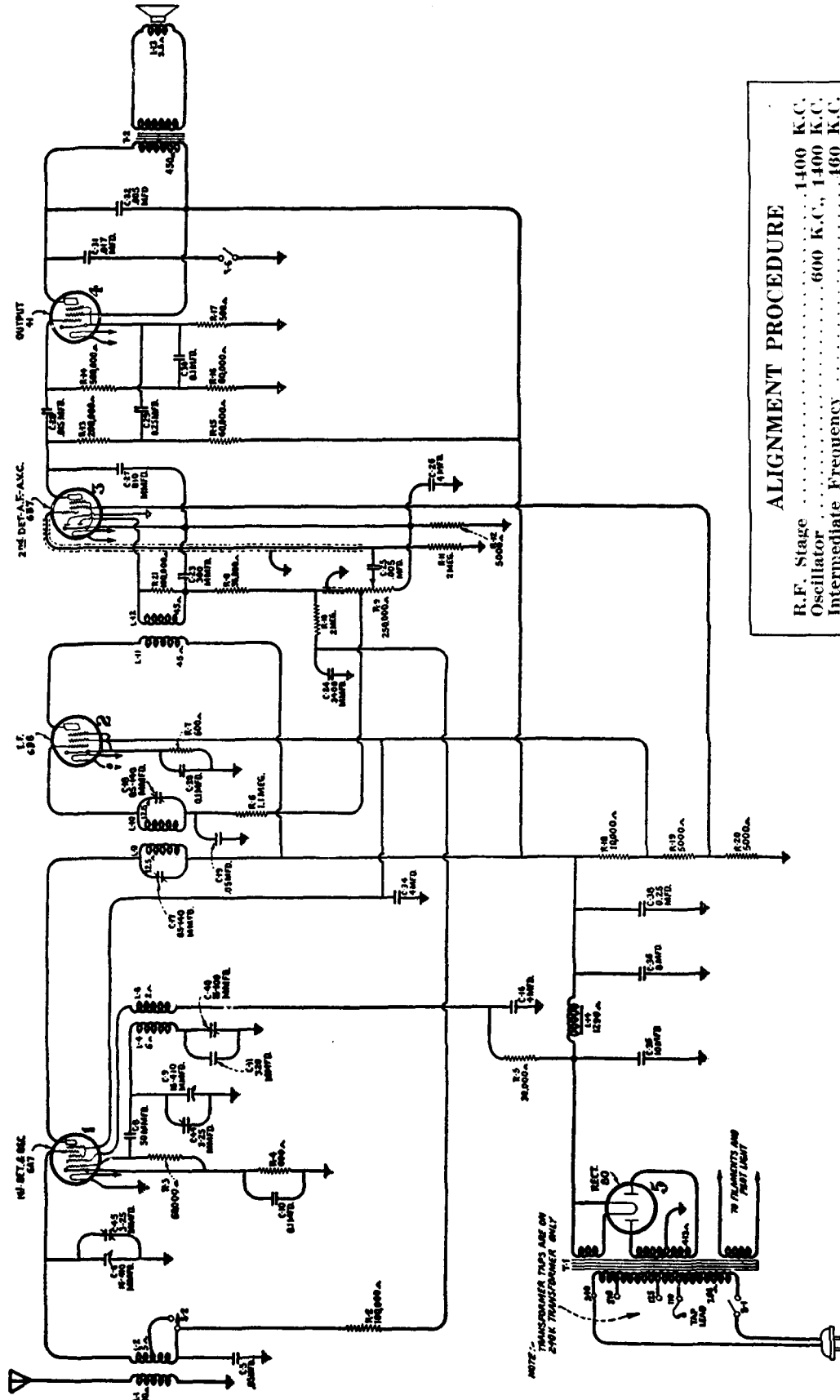


ALIGNMENT PROCEDURE

R.F. & Det. (Broadcast)	1,700 K.C.
R.F. & Det. (S.W.)	18,000 K.C.
Oscillator (Broadcast)	1,700 K.C.
Oscillator (S.W.)	600 K.C., 18,000 K.C.
Intermediate Frequency	460 K.C.

Align all R.F. stages for maximum peak.
Align I.F. stages by means of oscillograph.

MODEL 119 A.C. Receiver



ALIGNMENT PROCEDURE

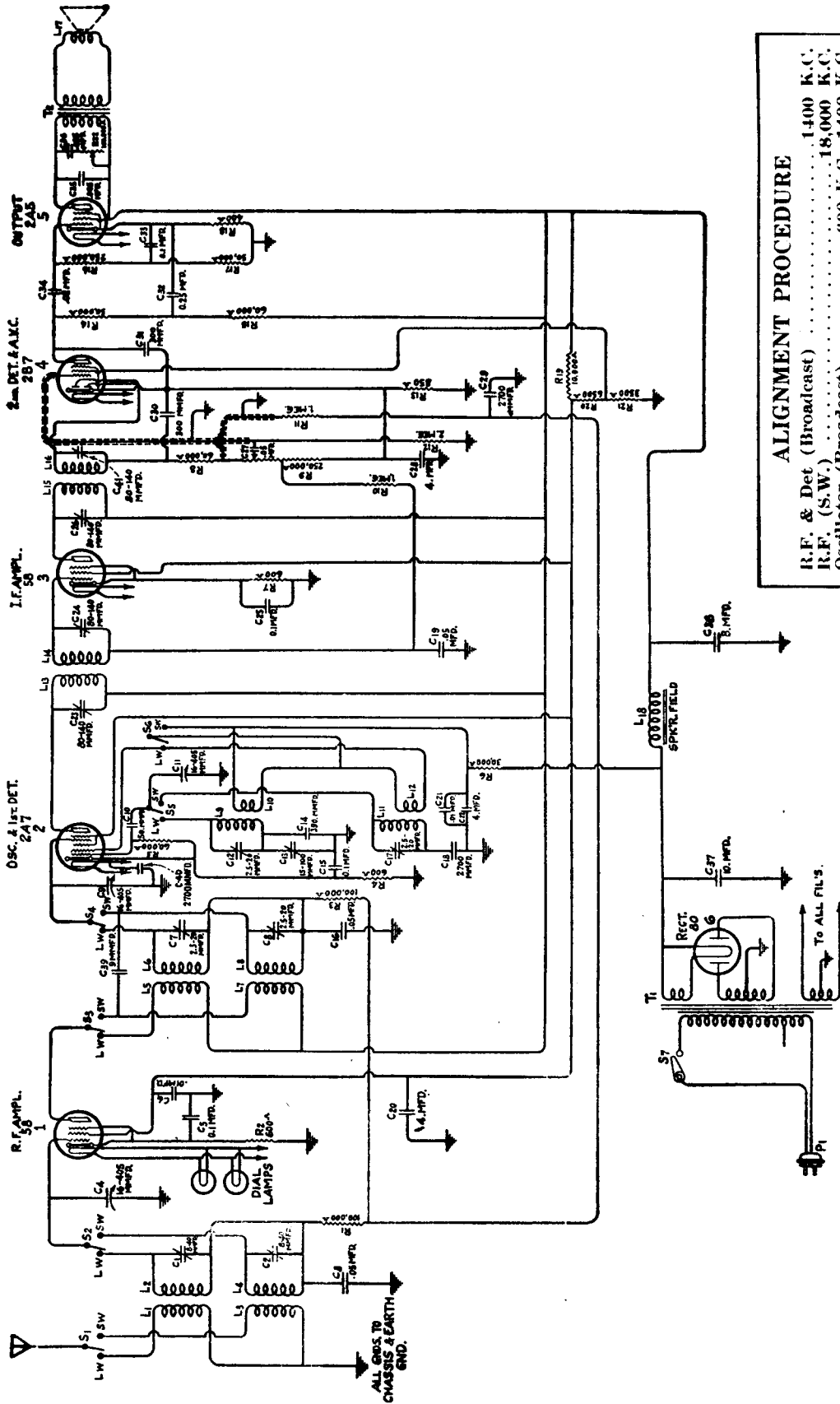
R.F. Stage 1400 K.C.
 Oscillator 600 K.C., 1400 K.C.
 Intermediate Frequency 460 K.C.
 Align all stages for maximum peak.

REPLACEMENT PARTS — MODEL 119

Insist on genuine factory tested parts, which are readily identified and may be purchased from authorized dealers.

KEY No.	STOCK No.	DESCRIPTION	KEY No.	STOCK No.	DESCRIPTION
		RECEIVER ASSEMBLIES			
	4379	Board—Terminal board—Engraved "ANT-GND".....		3623	Shield—Oscillator Coil Shield.....
	S-1404	Cap—Contact cap.....		S-1415	Shield—First Detector and output Radiotron shield.....
C-40	S-1360	Capacitor—Adjustable capacitor.....		3782	Shield—Second Detector Radiotron Shield.....
C-8	4442	Capacitor—50 mmfd.....	S-1140	S-1140	Shield—I.F. Radiotron Shield.....
C-11	5151	Capacitor—320 mmfd.....	5186	5186	Shield—First I.F. transformer shield
C-27	5044	Capacitor—810 mmfd.....	4908	4908	Shield — Second I.F. transformer shield.....
C-24	4881	Capacitor—3400 mmfd.....	3858	3858	Socket—Dial lamp socket.....
C-25	4793	Capacitor—0.005 mfd.....	4784	4784	Socket—4-contact radiotron socket.....
C-32	4868	Capacitor—0.005 mfd.....	S-1151	S-1151	Socket—6-contact radiotron socket.....
C-28	4792	Capacitor—0.015 mfd.....	4786	4786	Socket—6-contact output radiotron socket.....
C-31	4906	Capacitor—0.017 mfd.....		3572	Socket—7-contact radiotron socket.....
C-5	4836	Capacitor—0.05 mfd.....	S-2	5053	Switch—Range Switch.....
C-19			S-6	4905	Switch—Tone control switch.....
C-10	4791	Capacitor—0.1 mfd.....	L-9	4900	Transformer — First intermediate frequency transformer.....
C-20			L-10		
C-30	3597	Capacitor—0.25 mfd.....	C-17	4901	Transformer — Second intermediate frequency transformer.....
C-29			C-18		
C-38	3796	Capacitor—4.0 mfd.....	L-11	4898	Transformer—Power transformer—105-125 volts—25-50 cycles.....
C-26			L-12		
C-36	4428	Capacitor—8.0 mfd.....	L-12	4901	Transformer — Second intermediate frequency transformer.....
C-35	7790	Capacitor—10.0 mfd.....	C-23	4897	Transformer—Power transformer—105-125 volts—50-60 cycles.....
C-16	S-1435	Capacitor pack—Comprising two 4.0 mfd. capacitors.....	R-8		
C-34	5051	Coil—Antenna coil.....	R-21	4429	Volume control.....
L-1			T-1		
L-2	5050	Coil—Oscillator coil.....	R-9	REPRODUCER ASSEMBLIES	
C-5			S-1		
R-2	S-1518	Condenser—2-gang variable tuning condenser.....			
L-4	3218	Resistor—600 ohms—Carbon type —1/4 watt.....	L-14	9531	Coil—Field coil, magnet and cone support.....
L-6			L-13	9588	Cone—Reproducer cone.....
C-6	4436	Resistor—5000 ohms—Carbon type —1/4 watt.....	S-1515	S-1515	Reproducer—Complete.....
C-9			T-2	S-1473	Transformer—Output transformer.....
C-44	2240	Resistor — 30,000 ohms — Carbon type—1 watt.....			
C-45					
R-4	3602	Resistor — 60,000 ohms — Carbon type—1/4 watt.....			
R-7					
R-12	3118	Resistor — 100,000 ohms — Carbon type—1/4 watt.....			
R-3					
R-15	3116	Resistor — 200,000 ohms — Carbon type—1/4 watt.....			
R-16					
R-2	S-1067	Resistor — 500,000 ohms — Carbon type—1/4 watt.....		5111	Dial—Station selector dial scale...
R-13	4783	Resistor—1,100,000 ohms—Carbon type—1/4 watt.....		4132	Knob — Station selector knob —
R-14					
R-6	6242	Resistor—2 megohms—Carbon type —1/4 watt.....		4449	Knob — Volume Control, range switch, or tone control knob.....
R-10					
R-11	4721	Resistor — Tapped resistor — One 500 ohm, two 5,000 ohms, and one 10,000 ohm sections.....		4256	Lamp—Station selector dial lamp.....
R-17					
R-18	3584	Ring—Oscillator coil retaining ring.....		4909	Pointer—Station selector pointer..
R-19					
R-20				3886	Reflector—Station selector dial reflector.....
				4917	Screw—Chassis mounting screw—Comprising one screw, and one washer.....
					MISCELLANEOUS ASSEMBLY

Models 122 & 221 A.C. Receivers



ALIGNMENT PROCEDURE

R.F. & Det (Broadcast)	1400 K.C.
R.F. (S.W.)	18,000 K.C.
Oscillator (Broadcast)	600 K.C.
Oscillator (S.W.)	18,000 K.C.
Intermediate Frequency	370 K.C.

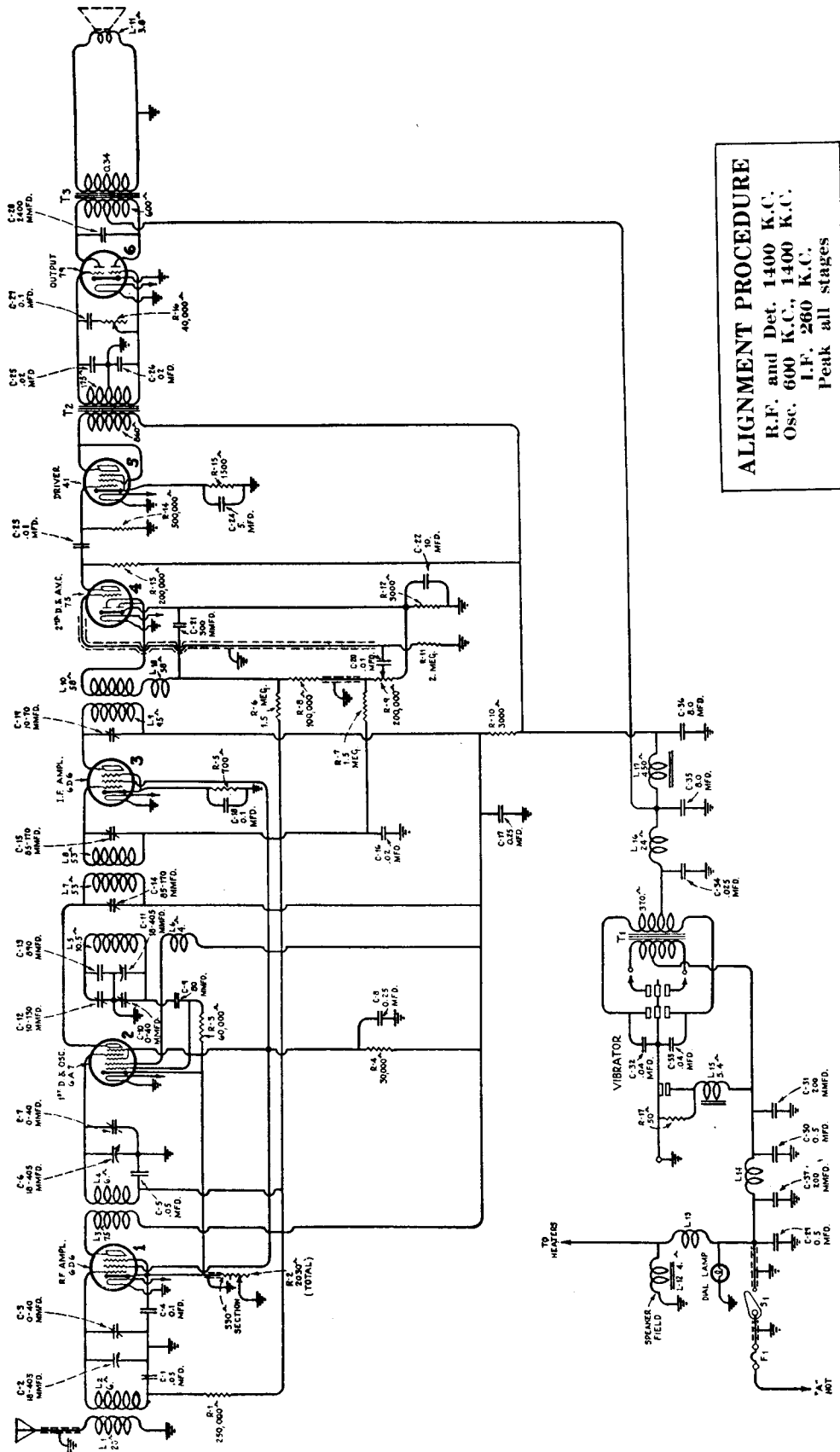
Align all stages for maximum peak.

REPLACEMENT PARTS — MODELS 122 & 221

Insist on genuine factory tested parts, which are readily identified and may be purchased from authorized dealers.

Key No.	Stock No.	DESCRIPTION	Key No.	Stock No.	DESCRIPTION	
RECEIVER ASSEMBLIES						
R-12	S-1032	Resistor—2 megohm—Carbon Type— $\frac{1}{2}$ Watt...		6698	Transformer — Second intermediate frequency Transformer.....	
R-8	S-1121	Resistor—60,000 ohm—Carbon Type— $\frac{1}{2}$ Watt...		6699	Coil—R. F. Coil.....	
R-15				6700	Coil—Oscillator Coil.....	
	S-1151	Socket—Six contact radiotron socket.....		6701	Coil—Antenna Coil.....	
R-1	S-1354	Resistor — 100,000 ohms — Carbon Type — $\frac{1}{4}$ Watt.....	C-20	6703	Capacitor Pack—Comprising one 8. mfd. and two 4. mfd. capacitors.....	
R-3			C-22			
C-13	S-1360	Capacitor—Adjustable capacitor.....	C-38	7487	Shield—I. F. Amplifier radiotron shield.....	
C-34	S-1382	Capacitor—.02 mfd.....		9446	Transformer—Power Transformer—105-125 Volts 50-60 Cycles.....	
C-29	S-1383	Capacitor—2700 mmfd.....		9451	Transformer—Power Transformer—105-125 Volts 25-40 Cycles.....	
C-40					10194	Ball—Steel Ball for condenser drive assembly—
C-18	S-1384	Capacitor—2,700 mmfd.....				
	S-1385	Shield—R. F. Radiotron Shield.....				
R-6	2240	Resistor—30,000 ohms—Carbon Type—1 Watt...				
	2747	Cap—Contact Cap—				
	3056	Shield—2nd Detector Radiotron Shield.....				
R-10	3076	Resistor—1 megohm—Carbon Type— $\frac{1}{2}$ Watt...				
R-11						
R-20	3470	Resistor—6,500 ohms—Carbon Type—1 Watt...		S-1380	Knob—Tone Control, Range Switch or Small section of tuning knob.....	
R-16	3514	Resistor—250,000 ohms—Carbon Type— $\frac{1}{2}$ Watt		S-1386	Knob—Volume control knob.....	
	3529	Socket—Dial lamp socket.....		S-1387	Knob—Tuning control knob—large section.....	
	3572	Socket—7 Contact Radiotron Socket.....		3905	Screw—Chassis mounting screw assembly comprising—4 Screws, 4 Washers and 4 Cushions..	
R-14	3594	Resistor—50,000 ohms—Carbon Type— $\frac{1}{2}$ Watt.		3940	Pointer—Station selector pointer—	
R-17					3941	Dial—Station selector dial.....
R-5	3602	Resistor—60,000 ohms—Carbon Type— $\frac{1}{4}$ Watt.		6695	Control—Volume control.....	
R-13	3631	Resistor—850 ohms—Carbon Type— $\frac{1}{2}$ Watt...	R-9	6696	Switch—Range Switch.....	
	3683	Shield—Radiotron shield top.....		6702	Drive—Variable tuning condenser drive assembly complete	
C-6	3701	Capacitor—.01 mfd.....		R-22	6705	Control—Tone Control.....
C-21						6707
C-32	3702	Capacitor—.25 mfd.....		6704	Drive Shaft.....	
	3768	Screw—Square head No. 6-32— $\frac{1}{4}$ " set screw for condenser drive—				
C-28	3796	Capacitor—4. mfd.....				
C-10	3849	Capacitor—50 mmfd.....				
C-5						
C-15	3877	Capacitor—.1 mfd.....				
C-25						
C-33						
	3878	Screw—No. 4-40— $\frac{1}{8}$ " screw for fastening station selector pointer—	T-2	S-1400	Transformer—Output Transformer.....	
				9428	Cone—Reproducer cone.....	
				9449	Reproducer Complete.....	
				9450	Coil—Field coil, magnet and Cone Support.....	
C-19	3888	Capacitor—.05 mfd.....				
C-27						
R-2	3892	Resistor—600 ohms—Carbon Type— $\frac{1}{2}$ Watt...				
R-4						
R-7				S-1388	Switch—Range Switch.....	
R-18	3897	Resistor—400 ohms—Carbon Type—1 Watt.....		S-1389	Drive—Variable tuning condenser drive assembly complete	
C-3	3901	Capacitor—.05 mfd.....		S-1390	Pointer—Station selector pointer—	
C-16					S-1391	Control—Tone Control.....
	3906	Mounting Assembly—Variable condenser mounting assembly comprising—3 bushings, 3 lock-washers, 3 nuts and 3 washers.....	R-22	S-1392	Control—Volume Control.....	
			R-9	S-1393	Dial—Station selector dial.....	
	3935	Capacitor—340 mmfd.....		S-1394	Screw—Chassis mounting screw assembly comprising 4 Screws, 4 Washers and 4 Cushions.....	
C-14	3937	Capacitor—300 mmfd.....		S-1398	Knob—Tuning control knob—small section.....	
C-30					6752	Knob — Tuning control knob — large section —
C-31						
C-39	3938	Capacitor—9 mmfd.....		6753	Knob—Volume control knob—	
R-21	3939	Resistor—3500 ohms—Carbon Type— $\frac{1}{2}$ Watt..		6754	Knob—Tone control or range switch knob—	
	3942	Shield—1st detector radiotron shield.....				
	3944	Shield—Antenna, R. F. or oscillator coil shield...				
	3991	Resistor—10,000 ohms—Porcelain Type.....		6614	Dial Glass.....	
R-19	6300	Socket—4 Contact radiotron socket.....		S-1425	Drive Shaft.....	
	6571	Capacitor—10 mfd.....				
C-27	6620	Capacitor—Comprising one .005 mfd. and one .035 mfd.....				
C-35	6672	Screen—Translucent screen for dial light—				
C-36						
	6694	Condenser—3 Gang variable tuning condenser...	T-2	S-1395	Transformer—Output transformer.....	
	6697	Transformer — First Intermediate Frequency Transformer.....		S-1396	Reproducer Complete.....	
				S-1397	Coil—Field coil, magnet and cone support.....	
				8935	Cone—Reproducer cone.....	

Model M-123 Automobile Receiver



ALIGNMENT PROCEDURE
 R.F. and Det. 1400 K.C.
 Osc. 600 K.C., 1400 K.C.
 I.F. 260 K.C.
 Peak all stages

REPLACEMENT PARTS — MODEL M-123

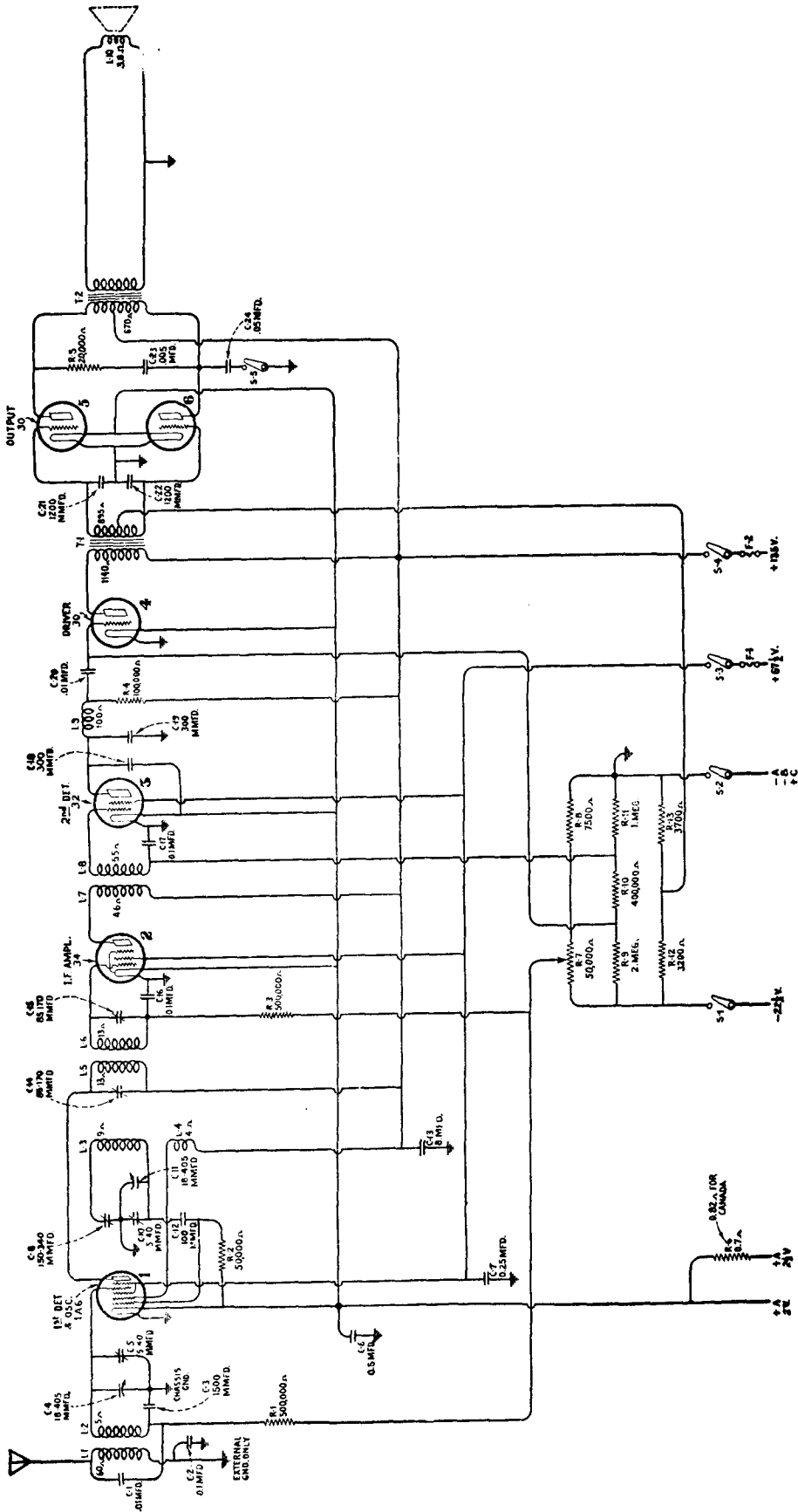
Insist on genuine factory tested parts, which are readily identified and may be purchased from authorized dealers.

KEY No.	STOCK No.	DESCRIPTION	KEY No.	STOCK No.	DESCRIPTION
		RECEIVER ASSEMBLIES			
	4237	Cable — Single-conductor shielded cable with female section of connector—From volume control switch to pilot lamp cable.		3584	Ring—Retaining ring for antenna, radio frequency or oscillator coils,
	4238	Cable—Two-conductor power cable from S1 to power lead connector.		4295	Screw—No. 10-32-1/4 inch headless set screw—For mounting condenser drive assembly to shaft—
	S-1404	Cap—Contact cap—		3623	Shield—Antenna, radio frequency or oscillator coil shield.
C-12	S-1360	Capacitor—Adjustable capacitor . . .		4233	Shield—Oscillator or second detector Radiotron shield.
C-9	4246	Capacitor—80 mmfd.		4235	Shield — Intermediate frequency Radiotron shield.
C-21	4248	Capacitor—300 mmfd.		4236	Shield—Radio frequency Radiotron shield.
C-13	4245	Capacitor—890 mmfd.		4232	Socket—6-contact Radiotron socket
C-28	4247	Capacitor—2,400 mmfd.		3572	Socket—7-contact Radiotron socket
C-8	3702	Capacitor—0.25 mfd.		6971	Tone control
C-16			R-16	6969	Transformer—Audio driver transformer
C-25	S-1382	Capacitor—.02 mfd.	T-2	6970	Transformer—Audio output transformer
C-26					
C-20					
C-23	3701	Capacitor—.01 mfd.			
C-27	S-1371	Capacitor—0.1 mfd.	T-3		
C-4					
C-18	3877	Capacitor—0.1 mfd. capacitor	L-7		
C-17	3597	Capacitor—0.25 mfd.	L-8	6960	Transformer — First intermediate frequency
C-1	4243	Capacitor pack—Comprising two 0.05 mfd. capacitors	C-14		
C-5			C-15		
C-22	6963	Capacitor pack—Comprising one 10. and one 5. mfd. capacitors	L-9		
C-24			L-10	6962	Transformer—Second intermediate frequency transformer
L-1	6965	Coil—Antenna coil.	L-18		
L-2			L-19		
L-5	6967	Coil—Oscillator coil.	R-9		
L-6			S-1	6964	Volume control
L-3	6966	Coil—R. F. coil.			
L-4					
C-2					CONTROL BOX ASSEMBLIES
C-3					
C-6	6961	Condenser—3-gang variable tuning condenser		6974	Box—Control box complete—Fin. 58A
C-7				6976	Back—Control box back—Fin. 58A
C-10				6975	Cover—Control box front cover—Fin. 58A
C-11				4259	Cover—Station selector dial cover—Transparent celluloid
	6973	Drive assembly—Variable tuning condenser drive assembly		4261	Dial—Station selector dial
	4249	Drive bracket and worm assembly —For variable tuning condenser drive		3649	Key—Volume control key
L-13	6968	Reactor		4256	Lamp—dial lamp—
R-5	4240	Resistor—700 ohms—Carbon type —1/4 watt		4260	Pointer—Station selector indicator —Fin. 34
R-12	4242	Resistor — 3,000 ohms — Carbon type—1/4 watt		4257	Ring—Station selector dial cover ring
R-3	3602	Resistor — 60,000 ohms — Carbon type—1/4 watt		4262	Screen—Dial light screen—
R-8	S-1354	Resistor—100,000 ohms—Carbon type—1/4 watt		4252	Screw—No. 10-32-11/32-inch fillister head set screw for holding condenser drive and pinion gear and volume coupling control shaft— —Fin.-1
R-13	3116	Resistor—200,000 ohms—Carbon type—1/4 watt		3652	Screw—No. 10-32-1/4-inch cupped point set screw for holding station selector or volume control flexible drive shaft to control box—
R-1	3744	Resistor—250,000 ohms—Carbon type—1/4 watt		4255	Screw—No. 4-40-1/4-inch oval head machine screw for holding control box cover— —Fin. 7
R-14	S-1067	Resistor—500,000 ohms—Carbon type—1/4 watt		4254	Shaft—Volume control coupling shaft—Fin. 1
R-6	4241	Resistor — 1.5 megohms — Carbon type—1/4 watt		4250	Shaft and gear—Station selector pointer shaft and gear
R-7	6242	Resistor — 2 megohms — Carbon type—1/4 watt		4251	Shaft and gear—Station selector drive shaft and pinion gear
R-11	3047	Resistor — 1,500 ohms — Carbon type—1/2 watt		4253	Spring—Volume control key holding spring—
R-15	2240	Resistor — 30,000 ohms — Carbon type—1 watt			
R-4	4239	Resistor — 3,000 ohms — Carbon type—3 watts			
R-10	6972	Rheostat—Noise suppressor rheostat			

REPLACEMENT PARTS—MODEL M-123 (Continued)

KEY No.	STOCK No.	DESCRIPTION	KEY No.	STOCK No.	DESCRIPTION
	3690	Strap and bracket assembly—For mounting control box to steering column—Comprising one bracket, two screws, one lockwasher and one strap.....		7755	Housing—Front section of housing complete—Less hinge pin.....
				7756	Housing—Rear section of housing complete—Less hinge pin.....
				4267	Nut—Wing nut—Fin. 58A—
		FLEXIBLE SHAFT AND CABLE ASSEMBLIES		4266	Pin—Hinge pin—
	7762	Cable—Dial lamp cable with socket and section of connector.....		4268	Screw—Wing screw— —Fin. 58A.....
	4264	Clamp—Metal clamp—		4269	Screw—No. 6 self-tapping screw for fastening front and bottom sections of housing— Fin. 6.....
	4295	Screw—No. 10-32-1/4-inch cupped point set screw—Fastens flexible shaft housing to shaft bushing—		4271	Screw—Self-tapping No. 6 screw for fastening tuning condenser drive bracket and worm cover to housing— —Fin. 6.....
	7764	Shaft — Station selector flexible drive shaft—Approximately 27 inches long.....		4295	Screw—No. 10-32-1/4-inch headless set screw—Located in worm gear cover and bracket used to fasten drive shafts— Fin. 8.....
	7763	Shaft — Volume control flexible drive shaft—Approximately 24 inches long.....			MISCELLANEOUS ASSEMBLIES
	4265	Sleeve—Coupling sleeve for volume control shaft—		4287	Body—Antenna connector body—
	4263	Socket—Dial lamp socket.....		4289	Body — Fuse connector body —
		REPRODUCER ASSEMBLIES		4283	Cable — Antenna lead-in cable — Approximately 35 inches long...
L-12	9493	Coil—Field coil magnet and cone support.....		4288	Cap—Antenna or fuse connector cap—
L-11	9492	Cone—Reproducer cone.....		4293	Capacitor—Ammeter capacitor 0.5 mfd.....
	9491	Reproducer complete.....		4292	Capacitor—Generator capacitor— 0.5 mfd.....
		VIBRATOR ASSEMBLIES		4291	Clip—"A" supply clip—
	4280	Board—Terminal board—Located on filter pack.....		7767	Escutcheon—Grille escutcheon and nameplate.....
C-31	4013	Capacitor—200 mmfd.....		4286	Ferrule—Antenna or fuse connector ferrule and bushing—
C-34	4274	Capacitor—.025 mfd.....		3646	Fuse—20 ampere—
C-29	4273	Capacitor—0.5 mfd.....		7765	Grille—Baffle board and grille cloth.....
L-16	4275	Coil—Choke coil.....		4290	Insulator—Fuse connector insulator—
C-30				4132	Knob—Noise suppressor or tone control knob—
C-35	7758	Filter pack—Comprising one reactor, one choke coil, two 8. mfd. capacitors, one 0.5 and one 200 mmfd. capacitors.....		4282	Knob — Station selector knob —
C-36				7766	Lead—Power lead with female section of fuse connector—From power cable to battery.....
C-37				4284	Spring—Antenna or fuse connector spring—
L-14	4276	Plug—2-prong plug.....		S-1182	Suppressor—Distributor suppressor.....
L-17	4278	Socket—Vibrator mounting socket.....		S-1201	Suppressor—Spark-plug suppressor.....
T-1	7759	Transformer—Vibrator transformer.....		4277	Screw—No. 8-32-3/8-inch binder head screw used to mount escutcheon—
R-17				4294	Screw—No. 10-32-1/8-inch hexagon head screw—Used to mount chassis to housing—
C-32	7757	Vibrator assembly complete.....		4285	Washer—Antenna or fuse connector insulating washer—
C-33					
L-15					
		HOUSING ASSEMBLIES			
	4272	Bracket — Volume control shaft bracket—For left-hand mounting located on front of receiver housing.....			
	4270	Cover—Tuning condenser drive bracket and worm assembly cover.....			

Models 126B & 223B Battery Receivers



ALIGNMENT PROCEDURE

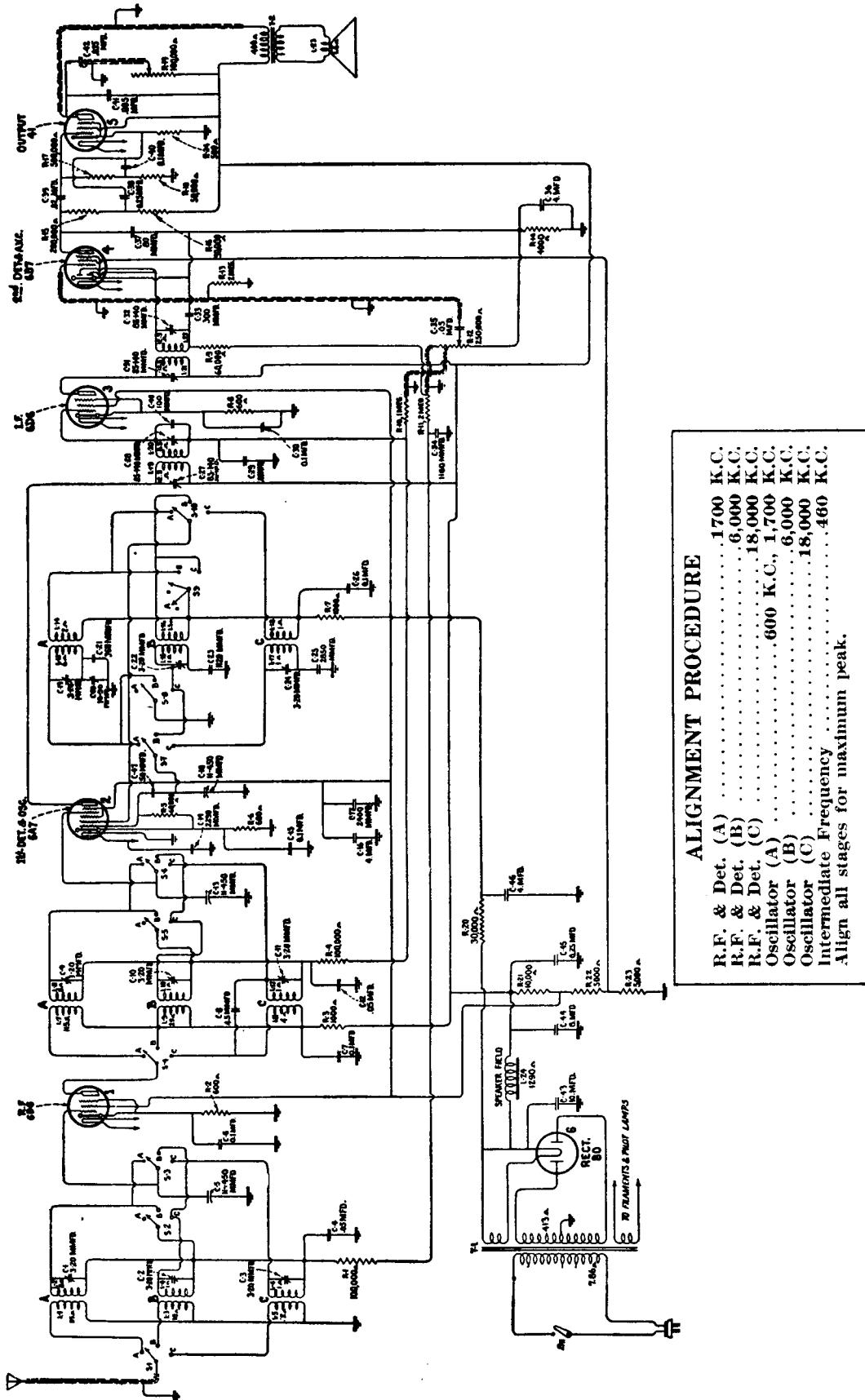
R.F. & Det. Stages 1400 K.C.
 Oscillator Stage 600 K.C., 1400 K.C.
 Intermediate Frequency 175 K.C.
 Align all stages for maximum peak.

REPLACEMENT PARTS — MODELS 126-B & 223-B

Insist on genuine factory tested parts, which are readily identified and may be purchased from authorized dealers.

KEY No.	Stock No.	DESCRIPTION	KEY No.	Stock No.	DESCRIPTION
		RECEIVER ASSEMBLIES			
				6665	Shield—Oscillator coil shield and bracket.....
				6669	Switch—Tone control switch.....
R-1 } R-3 } R-4 }	S-1067	Resistor—500,000 ohms—Carbon type— $\frac{1}{4}$ watt.....	S-5 } L-1 } L-2 }		
	S-1354	Resistor—100,000 ohms—Carbon type— $\frac{1}{4}$ watt.....	R-1 } C-1 } L-5 }	6992	Coil—Antenna Coil.....
	S-1429	Cap—Contact cap.....	L-6 }		
C-23	S-1430	Capacitor—0.005 mfd.....	C-14 }	6993	Transformer — First Intermediate frequency transformer.....
C-24	S-1431	Capacitor—0.05 mfd.....	C-15 }		
R-6	S-1433	Resistor—0.82 ohms—Flexible type.....	L-7 }	6994	Transformer—Second Intermediate Frequency Transformer.....
R-11	3033	Resistor — 1. megohm — Carbon type— $\frac{1}{4}$ watt.....	L-8 }	6995	Volume Control.....
	3056	Shield—2nd detector tube shield.....	R-7		
R-2	3114	Resistor — 50,000 ohms — Carbon type— $\frac{1}{4}$ watt.....			
	3584	Ring—Oscillator coil retaining ring.....			
		REPRODUCER ASSEMBLIES			
R-10	3619	Resistor—400,000 ohms—Carbon type— $\frac{1}{4}$ watt.....		S-1432	Cable—4 conductor speaker cable — For Console Model.....
C-1 } C-20 }	3701	Capacitor—.01 mfd.....		4350	Cable—4 conductor speaker cable — For Table Model.....
	3859	Socket—4 contact tube socket for intermediate frequency, driver and output stages. Sockets Nos. 2, 4 and 6.....	T-2 } L-10 }	6996	Transformer—Output transformer.....
				9428	Cone—Reproducer cone.....
C-2 } C-16 } C-17 } C-8 }	3877	Capacitor—0.1 mfd.....		9454	Housing—Cone housing and core assembly with magnets.....
	4000	Capacitor — Adjustable trimmer capacitor.....		9502	Reproducer assembly complete.....
	4104	Shield—First detector and oscillator tube shield.....			
	4232	Socket—6 contact tube socket for 1st detector and oscillator. Socket No. 1.....			
L-9	4343	Coil—Choke coil.....	F-1 } F-2 }	3088	Knob—Operating switch knob.....
R-8	4344	Resistor—7500 ohms—Carbon type — $\frac{1}{4}$ watt.....	S-1 } S-2 } S-3 } S-4 }	3238	Screw—Set screw for operating switch knob.....
R-12	4345	Resistor—3200 ohms—Carbon type — $\frac{1}{4}$ watt.....		3592	Knob—Volume control or tone switch knob.....
R-13	4346	Resistor—3700 ohms—Carbon type — $\frac{1}{4}$ watt.....		3748	Fuse—0.5 ampere.....
	4347	Terminal Strip—Engraved "Ant. Gnd.".....		3913	Switch—Operating switch.....
C-6 } C-7 } C-13 } T-1 }	4349	Capacitor and transformer pack—Comprising one 8.0 mfd., one 0.5, one 0.25 mfd. capacitors and driver transformer.....		4075	Knob—Station selector knob and pointer.....
	4351	Shield—I.F. Radiotron socket shield.....		4284	Spring—Fuse connector spring.....
C-18 } C-19 }	4352	Capacitor—300 mmfd.....		4285	Washer—Fuse connector insulating washer.....
C-12	4353	Capacitor—100 mmfd.....		4286	Ferrule—Fuse connector ferrule and bushing.....
C-3	4354	Capacitor—1500 mmfd.....		4288	Cap—Fuse connector cap.....
C-21 } C-22 }	4355	Capacitor pack—Comprising two 1200 mmfd. capacitors.....		4289	Body — Fuse connector body —.....
R-9	6242	Resistor — 2 megohms — Carbon type— $\frac{1}{4}$ watt.....		4290	Insulator—Fuse connector insulator.....
	6300	Socket—4 contact tube socket for second detector and output stages sockets Nos. 3 and 5.....		4357	Cable—Battery cable—For Table Model.....
R-5 } C-4 } C-5 } C-10 } C-11 }	6303	Resistor — 20,000 ohms — Carbon type— $\frac{1}{2}$ watt.....		4393	Screw—8-32— $\frac{5}{8}$ inch headless set screw for knobs.....
	6660	Condenser—2 gang variable tuning condensers.....		4468	Dial—Station selector dial.....
				6176	Escutcheon—Operating switch escutcheon.....
L-3 } L-4 }	6664	Coil—Oscillator coil.....		6516	Connector — Fuse connector complete.....

Models 128 & 224 A.C. Receivers



REPLACEMENT PARTS — MODELS 128 & 224

Insist on genuine factory tested parts, which are readily identified and may be purchased from authorized dealers.

Key No.	Stock No.	DESCRIPTION	Key No.	Stock No.	DESCRIPTION	
RECEIVER ASSEMBLIES						
	4427	Bracket—Volume control or tone control mounting bracket.....	R-3 } R-7 }	4370	Resistor—1000 ohms—Carbon type —1/4 watt.....	
	S-1404	Cap—Contact cap—	R-14	3997	Resistor—4000 ohms—Carbon type 1/4 watt.....	
C-20	S-1360	Capacitor — Adjustable trimmer capacitor.....	R-21	6318	Resistor—10,000 ohms—Porcelain type.....	
C-47	4442	Capacitor—50 mmfds.....	R-16 } R-18 }	3114	Resistor — 50,000 ohms — Carbon type—1/4 watt.....	
C-37	4662	Capacitor—80 mmfds.....	R-5	3602	Resistor — 60,000 ohms — Carbon type—1/4 watt.....	
C-21	4413	Capacitor—360 mmfds.....	R-11 } R-4 }	S-1354	Resistor — 100,000 ohms — Carbon type—1/4 watt.....	
C-23	4412	Capacitor—1120 mmfds.....	R-15	3116	Resistor—200,000 ohms—Carbon type—1/4 watt.....	
C-34	4515	Capacitor—1160 mmfds.....	R-17	S-1067	Resistor—500,000 ohms — Carbon type—1/4 watt.....	
C-14	4670	Capacitor—2250 mmfds.....	R-10	3033	Resistor—1 megohm—Carbon type —1/4 watt.....	
C-17	4523	Capacitor—2400 mmfds.....	R-11 } R-13 }	6242	Resistor — 2 megohms — Carbon type—1/4 watt.....	
C-25	4524	Capacitor—2850 mmfds.....	R-22 } R-23 }	3021	Resistor — 5,000 ohms — Carbon Type—1/2 watt.....	
C-39	4435	Capacitor—.02 mfd.....	R-20	4513	Resistor — 30,000 ohms — Carbon type—3 watt.....	
C-35	4518	Capacitor—.05 mfd.....		7800	Shield—Antenna, R. F. or oscillator coil Shield.....	
C-4				7487	Shield—I. F. amplifier radiotron shield.....	
C-12	4417	Capacitor—.05 mfd.....		6955	Shield—R. F. amplifier radiotron shield.....	
C-29				3942	Shield—1st Detector or output radiotron shield.....	
C-40	3877	Capacitor—.1 mfd.....		S-1453	Shield—Second detector radiotron shield.....	
C-6				3529	Socket—Dial lamp socket.....	
C-15	4415	Capacitor—.1 mfd.....		6300	Socket—4 Contact tube socket.....	
C-30				S-1151	Socket—6 Contact tube socket.....	
C-7	4645	Capacitor—.1 mfd.....		3572	Socket—7 Contact tube socket.....	
C-26				4379	Strip—Antenna terminal strip engraved "ANT-GND".....	
C-38	3597	Capacitor—.25 mfd.....		S-1454	Switch—Operating switch.....	
C-45			S-11 to S-10 incl. }	4512	Switch—Range switch.....	
C-36	4525	Capacitor—4.0 mfd.....	R-19 }	4517	Tone Control.....	
C-44	4428	Capacitor—8. mfd.....	L-19 }			
C-43	7790	Capacitor—10 mfd.....	L-20 }	4431	Transformer — First intermediate frequency transformer.....	
C-41	4692	Capacitor pack—Comprising one 0.035 mfd. and one .005 capacitors	C-27 }			
C-42			C-28 }			
C-16	S-1362	Capacitor pack—Comprising two 4.0 mfd. capacitors.....	C-48 }			
C-46			L-21 }	4433	Transformer—Second intermediate frequency transformer.....	
L-3			L-22 }			
L-4	4516	Coil—Antenna Coil "PB".....	C-31 }	9511	Transformer—Power transformer 105-125 Volts—50-60 Cycles...	
C-2			C-32 }	T-1	9512	Transformer—Power transformer—102-125 Volts—25-40 Cycles....
L-1			C-33 }	R-12	4519	Volume Control.....
L-2			R-9 }			
L-5	7803	Coil—Antenna Coil "B & SW"....	T-1			
L-6						
C-1						
C-3						
L-9						
L-10	4514	Coil—Detector Coil "PB".....				
C-10						
L-7						
L-8						
L-11	7805	Coil—Detector Coil—"B & SW"....				
C-8						
L-12						
C-9						
C-11						
L-13						
L-14						
L-17	7807	Coil—Oscillator Coil "B & SW"....				
L-18						
C-19						
C-24						
L-15	4511	Coil—Oscillator Coil "PB".....				
L-16						
C-22						
C-5	7801	Condenser—3 Gang variable tuning condenser.....				
C-13						
C-18	4256	Lamp—Dial lamps—		4362	Arm—Band indicator operating arm.....	
R-24	3632	Resistor—500 ohms—Carbon type —1 watt.....		10194	Ball—Steel ball for condenser drive assembly—	
R-2				4422	Clutch—Clutch drive assembly for variable condenser drive.....	
R-6	3218	Resistor—600 ohms—Carbon type —1/4 watt.....		4510	Drive—Tuning condenser drive.....	
R-8						
DRIVE ASSEMBLIES						

REPLACEMENT PARTS—MODELS 128 & 224 (Continued)

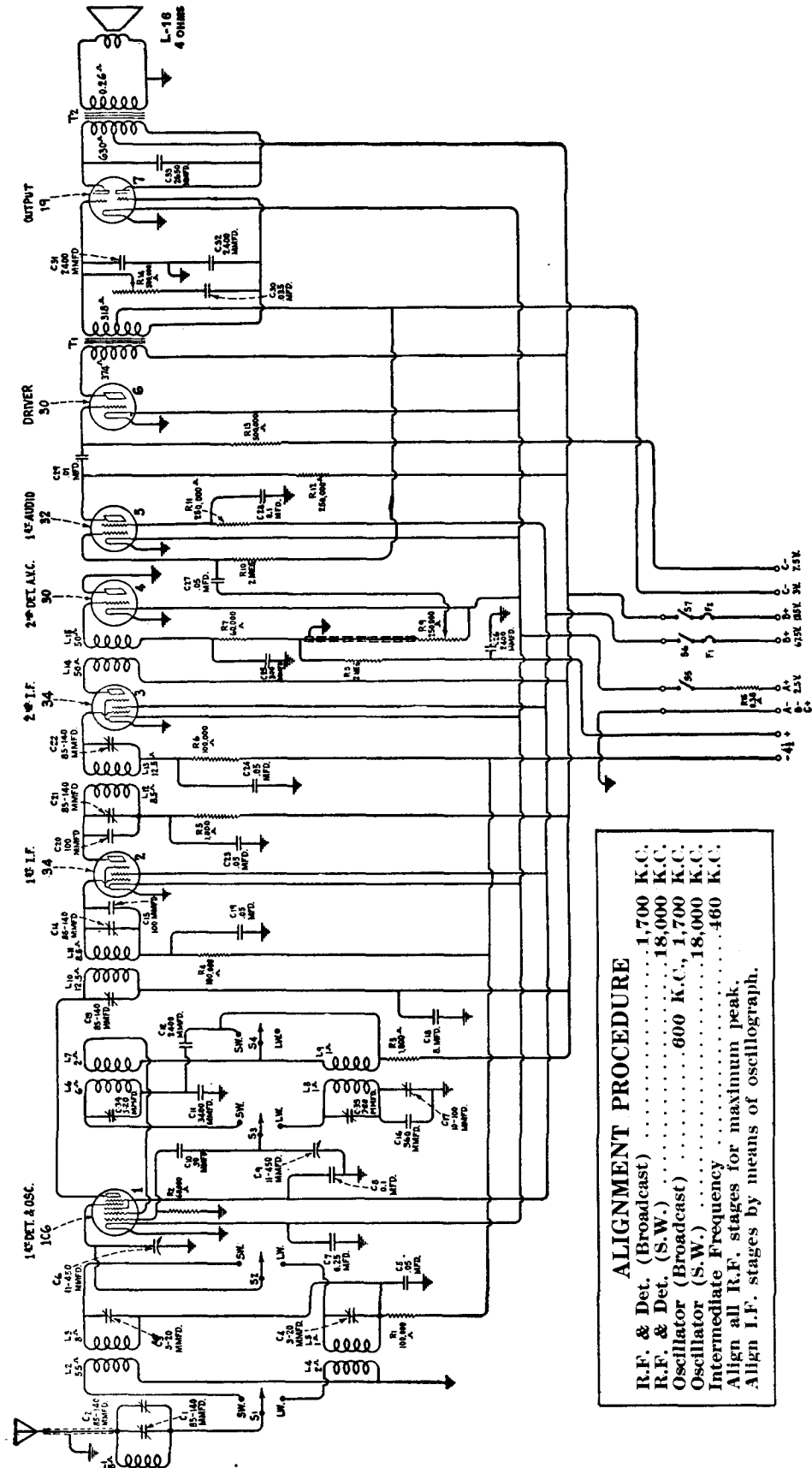
KEY No.	STOCK No.	DESCRIPTION	KEY No.	STOCK No.	DESCRIPTION
	4361	Indicator—Band indicator (celluloid)—		8935	Cone—Reproducer cone.....
	3943	Screen—Dial light screen (celluloid)—		9527	Reproducer complete.....
	3768	Screw—6-32-5/32" Square head set screw for band indicator operating arm—		4472	Transformer—Output transformer.
	4669	Screw—8-32-5/32" set screw for variable condenser drive assembly—			
	4377	Spring—Band indicator and arm tension spring—			MISCELLANEOUS ASSEMBLIES
	4378	Stud—Band indicator operating arm stud—		6840	Bezel—Station selector dial bezel..
		REPRODUCER ASSEMBLIES TABLE MODEL		4661	Dial—Station selector dial.....
	4473	Board—Reproducer terminal board.		6614	Glass—Station selector dial glass..
	4505	Transformer—Output transformer..		4520	Indicator—Station selector indicator pointer.....
	9492	Cone—Reproducer cone.....		6615	Ring—Dial glass retaining ring—
	9514	Reproducer complete.....		4449	Knob—Station selector, volume control, tone control, range switch or operating switch knob
	9531	Coil—Field coil and cone support..		4527	Screw—Chassis mounting screw assembly—comprising 4 spacers, 4 screws, 4 lockwashers, 4 washers and 8 cushions—For table model.
		REPRODUCER ASSEMBLIES CONSOLE MODEL		4685	Screw—Chassis mounting screw assembly—comprising 4 spacers, 4 screws, 4 lockwashers, 4 washers and 8 cushions—For Console model.....
	4473	Board—Terminal board assembly..		4613	Screw—Number 8-32- $\frac{1}{8}$ " headless set screw for knobs—
	S-1397	Coil—Field coil, magnet and cone support.....			

REPLACEMENT PARTS—MODELS 129 & 226 (Continued)

Insist on genuine factory tested parts, which are readily identified and may be purchased from authorized dealers.

KEY No.	Stock No.	DESCRIPTION	KEY No.	Stock No.	DESCRIPTION
		REPRODUCER ASSEMBLIES CONSOLE MODEL		6615	Ring—Dial glass retaining ring
	4473	Board—Terminal board assembly..		4449	Knob—Station selector, volume control, tone control, range switch or operating switch knob
	S-1397	Coil—Field coil, magnet and cone support.....			
	8935	Cone—Reproducer cone.....		4527	Screw—Chassis mounting screw assembly—comprising 4 spacers, 4 screws, 4 lockwashers, 4 washers and 8 cushions—For table model.
	9527	Reproducer complete.....		4685	Screw—Chassis mounting screw assembly—comprising 4 spacers, 4 screws, 4 lockwashers, 4 washers and 8 cushions—For Console model.....
	4472	Transformer—Output transformer.		4613	Screw—Number 8-32- $\frac{7}{16}$ " headless set screw for knobs—
		MISCELLANEOUS ASSEMBLIES			
	6840	Bezel—Station selector dial bezel..			
	4450	Dial—Station selector dial.....			
	6614	Glass—Station selector dial glass..			
	4363	Indicator—Station selector indicator pointer.....			

Models 135B & 235B Battery Receivers



ALIGNMENT PROCEDURE

R.F. & Det. (Broadcast) 1,700 K.C.
R.F. & Det. (S.W.) 18,000 K.C.
Oscillator (Broadcast) 600 K.C., 1,700 K.C.
Oscillator (S.W.) 18,000 K.C.
Intermediate Frequency 460 K.C.

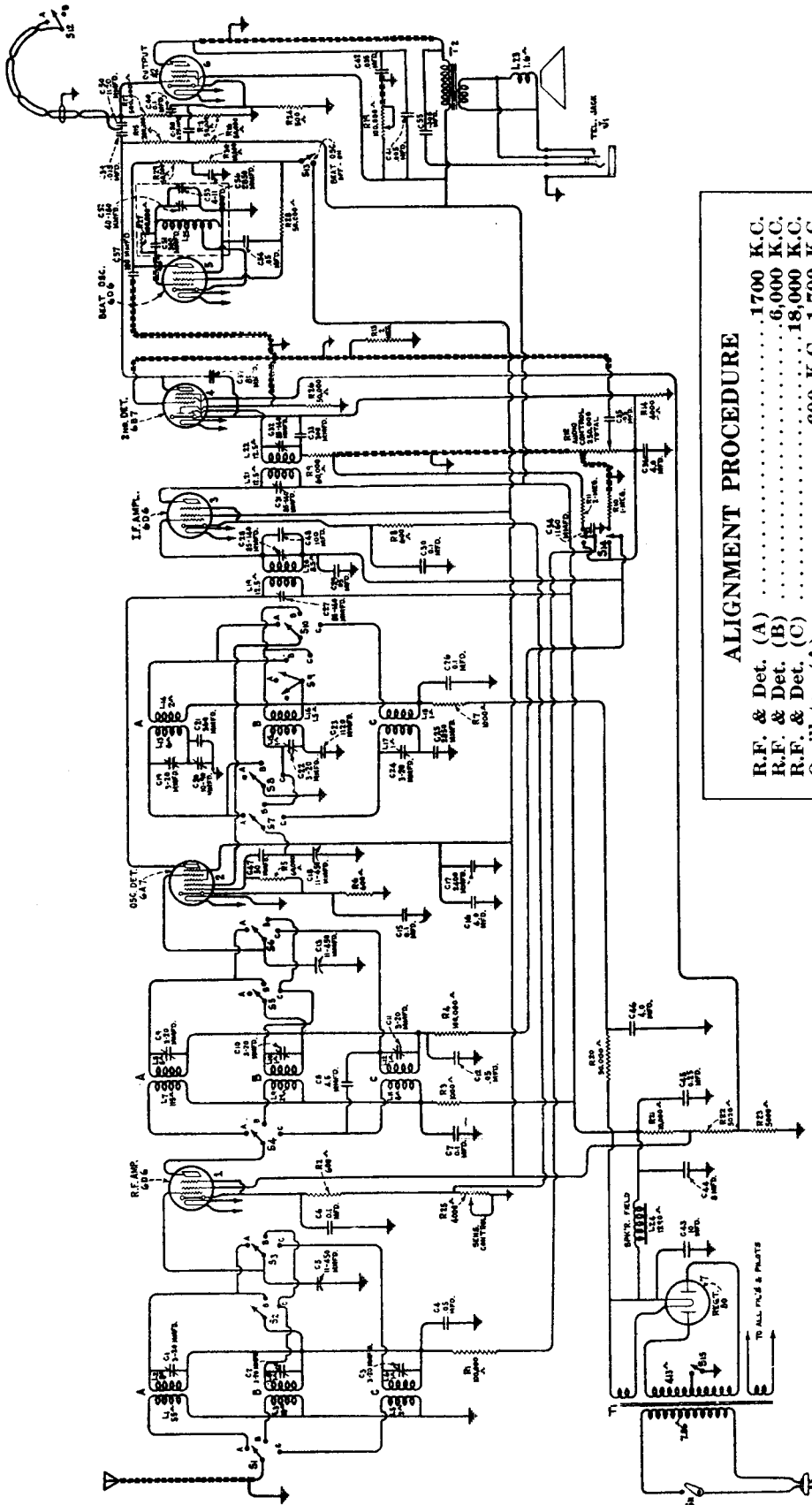
Align all R.F. stages for maximum peak.
Align I.F. stages by means of oscillograph.

REPLACEMENT PARTS — MODELS 135-B & 235-B

Insist on genuine factory tested parts, which are readily identified and may be purchased from authorized dealers.

Key No.	Stock No.	DESCRIPTION	Key No.	Stock No.	DESCRIPTION
		RECEIVER ASSEMBLIES		7800	Shield—Antenna, oscillator or I. F. transformer shield.....
R-13 R-1 R-4 R-6 C-17	S-1067	Resistor—500,000 ohms—Carbon type— $\frac{1}{4}$ watt.			
	S-1354	Resistor—100,000 ohms—Carbon type— $\frac{1}{4}$ watt.			REPRODUCER ASSEMBLIES (Console Model)
	S-1360	Capacitor—Adjustable Trimmer Capacitor.....			
	S-1429	Cap—Contact Cap.....			
L-6 L-7 L-8 L-9 C-34 C-35 C-25	S-1447	Coil—Oscillator coil.....		S-1446 7819 7820	Cone—Reproducer Cone..... Reproducer complete..... Magnet—Cone housing and magnet assembly...
	2749	Capacitor—2400 mmfd.....			REPRODUCER ASSEMBLIES (Table Model)
	3056	Shield—1st Audio and Intermediate Frequency Tube Shields.....			
R-2 R-7 R-11 R-12	3602	Resistor—60,000 ohms—Carbon type— $\frac{1}{4}$ watt.		9538	Reproducer complete.....
	3744	Resistor—250,000 ohms—Carbon Type— $\frac{1}{4}$ watt.		9539	Cone—Reproducer Cone.....
	3859	Socket—4 contact radiotron socket.....		9540	Magnet assembly—Comprising cone bracket, cone and magnet.....
C-8 C-28	3877	Capacitor—0.1 mfd.....			DRIVE ASSEMBLY
	3942	Shield—First detector and oscillator radiotron shield.....			
C-25 C-29	3981	Capacitor—300 mmfd.....		4363	Pointer—Station selector pointer—(Console Model).....
	4212	Capacitor—0.01 mfd.....		4422	Clutch—Condenser drive clutch assembly complete.....
	4232	Socket—6 contact radiotron socket.....		4475	Pointer—Station selector pointer—(Table Model).....
R-3 R-5 C-16 C-19 C-5 C-23 C-24	4370	Resistor—1000 ohms—Carbon type— $\frac{1}{4}$ watt...		4586	Drive—Variable tuning condenser drive assembly complete.....
	4413	Capacitor—360 mmfd.....		4588	Dial—Station Selector dial—Table Model.....
	4417	Capacitor—0.05 mfd.....		4641	Dial—Station selector dial—Console Model.....
	4427	Bracket—Volume or tone control mounting bracket.....			MISCELLANEOUS ASSEMBLIES
L-2 L-3 L-4 L-5 C-3 C-4 L-10 L-11 C-13 C-14 C-15	4430	Coil—Antenna coil.....		3088	Knob—Operating switch knob.....
				3238	Screw—6-40- $\frac{1}{2}$ " knurled head,—Set screw for operating switch knob—No. 3088—
	4431	Transformer—1st intermediate transformer.....		3748	Fuse—0.5 ampere.....
S-1 S-2 S-3 S-4 SW. L.W. C-11 C-12 C-31 C-32 C-10 C-18 C-6 C-9 C-27 C-33 T-1 T-2 R-9 R-14 C-7 L-14 L-15 L-1 C-1 C-2 C-30 R-8 R-10	4437	Switch—Range switch.....		3913	Switch—Operating Switch.....
	4439	Capacitor—3400 mmfd.....		4284	Spring—Fuse connector spring.....
	4440	Capacitor—2400 mmfd.....		4285	Washer—Fuse connector insulating washer.....
	4442	Capacitor—50 mmfd.....		4286	Ferrule—Fuse connector ferrule and bushing.....
	4498	Capacitor—8 mfd.....		4288	Cap—Fuse connector cap.....
	4504	Condenser—Two gang variable tuning condenser.....		4289	Body—Fuse connector body.....
	4518	Capacitor—0.05 mfd.....		4290	Insulator—Fuse connector insulator.....
	4529	Capacitor—2650 mmfd.....		4638	Screw—Chassis mounting screw assembly—Comprising eight cushions, four screws, four washers, four lockwashers and four spacers.....
	4533	Transformer pack—Audio transformer pack—Comprising driver and output transformer.....		4449	Knob—Station selector, volume control, tone control or range switch knob.....
	4535	Volume control.....		4541	Cable—2 Conductor speaker cable.....
	4536	Tone Control.....		4542	Cable—Battery cable—8 conductor complete with switch and connectors—Console Model.....
	4537	Capacitor—0.25 mfd.....		4613	Screw—8-32- $\frac{1}{2}$ " headless set screw for station selector volume control, tone control or range switch knob.....
L-12 L-13 C-22 C-20 C-21	4538	Transformer—3rd Intermediate transformer.....	R-15	4642	Cable—Battery cable—8 conductor complete with switch and connectors—Table Model.....
	4539	Coil & Shield assembly—Antenna trap circuit.....		4644	Resistor—0.42 ohms—Flexible type—Filament series.....
	4643	Capacitor—0.035 mfd.....		6176	Escutcheon—"Off"—"On" operating switch escutcheon.....
	6242	Resistor—2 megohms—Carbon type— $\frac{1}{4}$ watt.		6516	Connector—Fuse connector complete.....
	7487	Shield—Driver Radiotron Shield.....		6614	Glass—Station selector dial glass—(Console Model).....
	7840	Transformer—2nd Intermediate transformer.....		6615	Ring—Retaining ring for dial glass—(Console Model).....
				6707	Glass—Station selector dial glass—(Table Model).....
				6708	Ring—Retaining ring for dial glass—(Table Model).....
				6840	Bezel—Metal Bezel for station selector dial glass—(Console Model).....

Model ACR-136 A.C. Amateur Receiver



ALIGNMENT PROCEDURE

R.F. & Det. (A)1700 K.C.
R.F. & Det. (B)6,000 K.C.
R.F. & Det. (C)18,000 K.C.
Oscillator (A)600 K.C., 1,700 K.C.
Oscillator (B)6,000 K.C.
Oscillator (C)18,000 K.C.
Intermediate Frequency480 K.C.

Align all stages for maximum peak.

REPLACEMENT PARTS FOR MODEL ACR-136

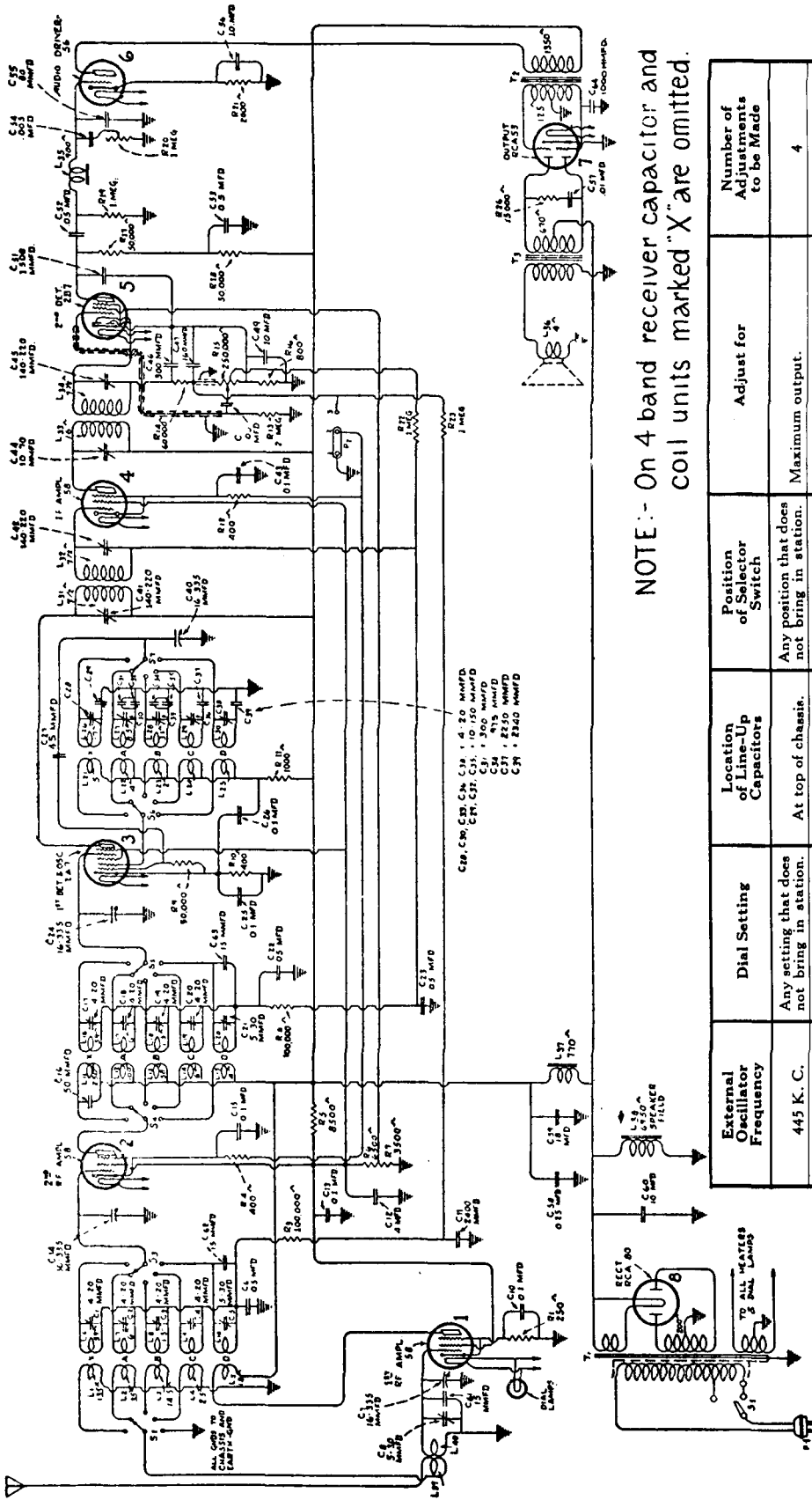
Insist on genuine factory tested parts, which are readily identified and may be purchased from authorized dealers.

STOCK NO.	DESCRIPTION	STOCK NO.	DESCRIPTION
RECEIVER ASSEMBLIES			
4427	Bracket-Volume control or tone control mounting bracket.	7487	Shield-I.F. Amplifier radiotron shield.
S-1404	Cap-Contact cap.	6955	Shield-R.F. Amplifier radiotron shield.
S-1360	Capacitor-Adjustable trimmer capacitor (C20).	S-1453	Shield-Second detector radiotron shield.
4442	Capacitor-50 mmfd. (C47).	3529	Socket-Dial lamp socket.
4662	Capacitor-80 mmfd. (C37).	4784	Socket-4 Contact radiotron socket.
4811	Capacitor-340 mmfd.(C21).	4786	Socket-6 Contact output radiotron socket.
4412	Capacitor-1120 mmfd.(C23).	S-1151	Socket-6 Contact radiotron socket.
4515	Capacitor-1160 mmfd.(C34).	3572	Socket-7 Contact radiotron socket.
4634	Capacitor-1120 mmfd.(C50).	4379	Strip-Antenna Terminal engraved "ANT-GND"
4523	Capacitor-2400 mmfd.(C17).	S-1454	Switch-Operating switch.(S11)
4524	Capacitor-2850 mmfd.(C25).	4728	Switch-Range switch.(S1,S2,S3,S4,S5,S6,S7,S8,S9,S10,S11S12).
4792	Capacitor-.015 mfd. (C39).	4810	Tone Control (R19).
4518	Capacitor-.05 mfd. (C35).	4431	Transformer-First intermediate frequency transformer (L19,L20,C27,C28,C48).
4836	Capacitor-.05 mfd. (C4,C12,C29).	4433	Transformer-Second intermediate frequency transformer (L21,L22,C31,C32,C33,R9).
4841	Capacitor-.1 mfd. (C6,C15,C30,C40).	9511	Transformer-Power transformer 105-125 volts 50-60 Cycles (T1).
4885	Capacitor-.1 mfd. (C7,C26).	9512	Transformer-Power transformer 105-125 volts 25-30 Cycles (T1).
3597	Capacitor-.25 mfd. (C38,C45).	4809	Volume Control (R12).
4525	Capacitor-4.0 mfd. (C36).		
4428	Capacitor-8 mfd. (C44).		
7790	Capacitor-10 mfd. (C43).		
4692	Capacitor pack-Comprising one 0.035 mfd. and one 0.005 mfd. capacitors (C41, C42).		
S-1362	Capacitor pack-Comprising two 4.0 mfd. capacitors (C16,C46).		
4808	Coil-Antenna coil "Band B" (L3,L4,C2).		
7803	Coil-Antenna coil "Band A-C" (L1,L2,L5, L6,C1,C3).		
4815	Coil-Detector coil "Band B" (L9,L10, C10).		
7805	Coil-Detector coil "Band A-C" (L7,L8, L11,L12,C8,C9,C11).		
7807	Coil-Oscillator coil "Band A-C" (L13,L14, L17,L18,C19,C24).		
4807	Coil-Oscillator coil "Band B" (L15,L16, C22).		
7801	Condenser-3 gang variable tuning condenser (C5,C13,C18).		
4256	Lamp-Dial lamp.		
3218	Resistor-600 ohms-Carbon Type - 1/4 watt (R2,R6,R8).		
4834	Resistor-1100 ohms-Carbon Type - 1/4 watt (R3,R7).		
3997	Resistor-4000 ohms-Carbon Type - 1/4 watt (R14).		
3114	Resistor-50,000 ohms-Carbon Type - 1/4 watt (R16,R18).		
3602	Resistor-60,000 ohms-Carbon Type - 1/4 watt (R5).		
S-1354	Resistor-100,000 ohms-Carbon Type - 1/4 watt (R1,R4).		
3116	Resistor-200,000 ohms-Carbon Type - 1/4 watt (R15).		
S-1067	Resistor-500,000 ohms-Carbon Type - 1/4 watt.		
4783	Resistor-1,100,000 ohms Carbon Type - 1/4 watt. (R10).		
6242	Resistor-2 megohms-Carbon Type - 1/4 watt (R11,R13).		
2240	Resistor-30,000 ohms - Carbon Type - 1 watt (R20).		
4721	Resistor-Tapped resistor, one 10,000 ohms, two 5000 ohms, and one 500 ohms section (R21,R22,R23,R24).		
7800	Shield-Antenna, R.F. or oscillator coil shield.		
3942	Shield-First detector or oscillator coil shield.		
			DRIVE ASSEMBLIES
		4362	Arm-Band indicator operating arm.
		4724	Dial-Station selector dial.
		7799	Drive-Variable tuning capacitor drive assembly complete.
		S-1511	Gear-Spring gear assembly complete with hub pinion, gear cover and spring.
		4704	Indicator-Band indicator-celluloid.
		4520	Pointer-Station selector main pointer-Large.
		3768	Screw- No. 6-32 5/32" square head set screw for variable capacitor drive assembly.
		4377	Spring-Band indicator and arm Tension spring.
		S-1491	Stem-Pointer Stem Assembly.
		4378	Stud-Band indicator operating arm stud.
		4725	Pointer-Station Selector vernier pointer small.
			OSCILLATOR ASSEMBLIES
		S-1404	Cap-Contact cap.
		3640	Capacitor-.05 mfd. (C54).
		S-1513	Capacitor-100 mmfd.(C57).
		4524	Capacitor-3850 mmfd.(C56).
		4755	Coil-Beat Coil-Oscillator Assembly Complete (R27,C51,C52, C53,L25).
		3381	Resistor-10,000 ohms-Carbon Type - 1/4 watt (R30).
		3114	Resistor-50,000 ohms-Carbon Type - 1/4 watt (R26,R28,R29).
		6955	Shield-Oscillator Radiotron Shield.
		S-1151	Socket-6 Contact radiotron socket.

REPLACEMENT PARTS FOR MODEL ACR-136 (Continued)

STOCK NO.	DESCRIPTION	STOCK NO.	DESCRIPTION
REPRODUCER ASSEMBLIES			
8-1345	Board-Terminal board assembly.	4823	Knob-Station selector knob.
9531	Coil-Field coil, magnet and cone support (L24).	4132	Knob-Volume control, Tone control, sensitivity control, oscillator switch, range switch or A.V.C. switch knob.
9492	Cone-Reproducer cone (L23).	6615	Ring-Dial glass retaining ring.
9514	Reproducer complete.	4393	Screw - No. 8 - 32 7/16" headless set screw for knobs.
4505	Transformer-Output Transformer.	4726	Rheostat - Sensitivity control rheostat.
4447	Shield-Terminal board shield.	4756	Jack-Phone jack.
MISCELLANEOUS ASSEMBLIES			
4757	Bezel-Station selector dial (escutcheon) bezel.	4758	Switch-Standby switch.
6614	Glass-Station selector dial glass.	4727	Switch-A.V.C. Control switch.

Model 140 A.C. Receiver



NOTE: On 4 band receiver capacitor and coil units marked "X" are omitted.

External Oscillator Frequency	Dial Setting	Location of Line-Up Capacitors	Position of Selector Switch	Adjust for	Number of Adjustments to be Made
445 K. C.	Any setting that does not bring in station.	At top of chassis.	Any position that does not bring in station.	Maximum output.	4
370 K. C.	370 K. C.	Bottom of chassis.	X	Maximum output.	3
175 K. C.	Set for signal.	Top of chassis.	X	Maximum output while rocking dial back and forth.	1
1400 K. C.	1400 K. C.	Bottom of chassis.	A	Maximum output.	3
600 K. C.	Set for signal.	Top of chassis.	A	Maximum output while rocking dial back and forth.	1
3900 K. C.	3900 K. C.	Bottom of chassis.	B	Maximum output.	3
1710 K. C.	Set for signal.	Top of chassis.	B	Maximum output while rocking dial back and forth.	1
10 M. C.	10 M. C.	Bottom of chassis.	C	Maximum output. (See Note.)	3
15 or 18 M. C.	15 or 18 M. C.	Bottom and top.	D	Maximum output. (See Note.)	4

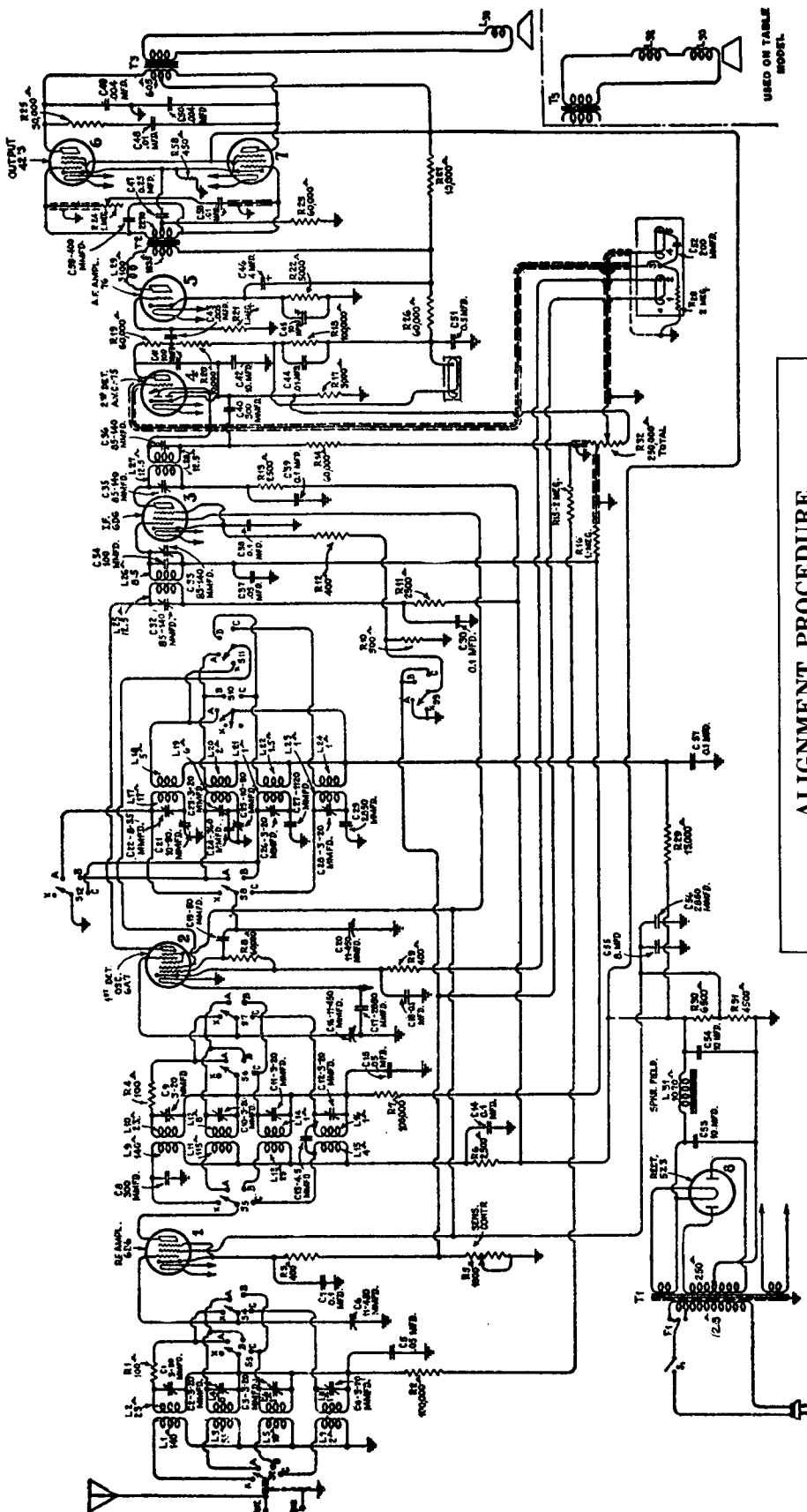
NOTE—It is important to note, when aligning bands C and D, that two peaks will be observed on the trimmers for the oscillator and for the first detector. The correct oscillator peak is the one obtained using the lower trimmer capacitance, whereas the correct detector peak is the one obtained with the greater capacitance. It is essential that the proper peak be chosen, as otherwise tracking and sensitivity will be very poor at other frequencies. When adjusting the detector trimmer, the tuning capacitor should be rocked, since there is a reaction on the oscillator tuning.

REPLACEMENT PARTS — MODEL 140

Insist on genuine factory tested parts, which are readily identified and may be purchased from authorized dealers.

Symbol No.	Stock No.	DESCRIPTION	Symbol No.	Stock No.	DESCRIPTION
RECEIVER ASSEMBLIES					
R-13	S-1032	Resistor—2 Megohm—Carbon Type— $\frac{1}{2}$ watt...	C-26	S-1308	Capacitor—.1 mfd.....
R-26	S-1116	Resistor—15,000 ohms—Carbon Type— $\frac{1}{2}$ watt...	C-53	6604	Capacitor—.05 mfd.....
	S-1140	Shield—1st R. F.-2nd R. F. and I. F. Tube Shield.	T-3	6605	Transformer—Output Transformer.....
	S-1141	Shield—Tube Shield Top.....	L-37	6606	Reactor—Filter reactor.....
	S-1150	Socket—Five contact tube socket.....	L-35	6607	Reactor—Tone Control Reactor.....
	S-1151	Socket—Six contact tube socket.....	T-2	6608	Transformer—Driver Transformer.....
R-7	S-1188	Resistor—3,500 ohms—Carbon Type—1 watt...	C-59	6609	Capacitor—18 mfd.....
C-57	S-1318	Capacitor—.01 mfd.....		6610	Transformer—First I. F. Transformer.....
R-11	S-1325	Resistor—1,000 ohms—Carbon Type— $\frac{1}{2}$ watt...	R-15	6611	Transformer—Second I. F. Transformer.....
R-3	S-1354	Resistor—100,000 ohms—Carbon Type— $\frac{1}{4}$ watt.		6612	Control—Volume Control.....
R-8				6613	Drive—Variable Capacitor Drive Assembly.....
C-32	S-1360	Capacitor—Adjustable Trimmer Capacitor.....	R-20	6626	Capacitor Pack—Comprising one 4 mfd. and two 10 mfd. Capacitors in metal container.....
C-35	S-1368	Support—Metal Support for Chassis-		6627	Control—Tone Control.....
T-1	S-1370	Power Transformer — 105-125 Volts — 50-60 Cycles.....		6628	Coil and Capacitor—Antenna Coil and Capacitor Assembly—3,000-18,000 K. C. Band.....
C-10	S-1371	Capacitor—.01 mfd.....		6630	Switch—Four band selector switch.....
C-15				6634	Coil and Capacitor—Antenna Coil and Capacitor assembly—540-1500 K. C. Band.....
C-25	S-1372	Screw Driver—Non metallic screw driver for R. F. or I. F. adjustment.....		6635	Coil and Capacitor—R. F. Coil and Capacitor assembly—540-1500 K. C. Band.....
	2747	Cap—Contact Cap —.....		6636	Coil and Capacitor—Oscillator Coil and Capacitor assembly—540-1500 K. C. Band.....
	3055	Cushion—Rubber cushion for Chassis-		6637	Coil and Capacitor—Antenna Coil and Capacitor assembly—1500-4000 K. C. Band.....
R-19	3076	Resistor—1 Megohm—Carbon Type— $\frac{1}{2}$ watt...		6638	Coil and Capacitor—R. F. Coil and Capacitor Assembly—1500-4000 K. C. Band.....
R-22				6639	Coil and Capacitor—Oscillator Coil and Capacitor Assembly—1500-4000 K. C. Band.....
R-9	3114	Resistor—50,000 Ohms—Carbon Type— $\frac{1}{4}$ watt.		6640	Coil and Capacitor—Antenna Coil and Capacitor Assembly—4000-10,000 K. C. Band.....
R-1	3435	Resistor—250 Ohms—Carbon Type— $\frac{1}{2}$ watt.....		6641	Coil and Capacitor—R. F. Coil and Capacitor Assembly—4,000-10,000 K. C. Band.....
R-6	3470	Resistor—6,500 Ohms—Carbon Type—1 watt.....		6642	Coil and Capacitor—Oscillator Coil and Capacitor Assembly—4,000-10,000 K. C. Band.....
C-11	3472	Capacitor—.0024 mfd.....		6643	Coil and Capacitor — R. F. Coil and Capacitor Assembly—8,000-18,000 K. C. Band.....
R-21	3526	Resistor—2,000 Ohms—Carbon Type— $\frac{1}{2}$ watt...		6644	Coil and Capacitor—Oscillator Coil and Capacitor Assembly—8,000-18,000 K. C. Band.....
R-16	3527	Resistor—800 Ohms—Carbon Type— $\frac{1}{2}$ watt...		6675	Shaft—Shaft for Condenser Drive—Complete— †Shaft, Ballrace, retainer and set screw.....
	3529	Dial Lamp Socket.....		6679	Wand—Tuning Wand for R. F. and Oscillator adjustments.....
R-17	3594	Resistor—50,000 Ohms—Carbon Type— $\frac{1}{2}$ watt.		7487	Shield—1st Detector and Oscillator Tube Shield..
R-18				T-1	9046
C-58	3597	Capacitor—.025 mfd.....		9050	Oscillator—Test Oscillator—150-25,000 K. C.....
R-14	3602	Resistor—60,000 Ohms—Carbon Type— $\frac{1}{4}$ watt.		S-1294	Coil and Capacitor—R.F. Coil and Capacitor—8,000-18,000 K.C. Band.....
	3622	Shield—2nd Detector Radiotron Shield.....		10194	Ball—Steel Ball for Condenser Drive Assembly—
C-23	3640	Capacitor—.05 mfd.....		MISCELLANEOUS ASSEMBLIES	
C-55	3711	Capacitor—80 mmfd.....		3829	Knob—Volume Control or Tone Control Knob..
	3719	Socket—Seven contact Tube Socket.....		3830	Knob—Station Selector Knob.....
	3572	Socket—Seven contact Tube Socket—1st Detector and Oscillator.....		3831	Knob—Range Switch Knob.....
R-5	3771	Resistor—8,500 Ohms—Carbon Type—3 watt.....		3876	Cable—3 Conductor Loudspeaker Cable.....
C-61	3844	Capacitor—15 mmfd.....		3878	Screw—No. 4-40— $\frac{1}{4}$ Fillister Head screw for station selector pointer —
C-62				3952	Escutcheon—Volume Control Escutcheon—
C-63	3845	Capacitor—2340 mmfd.....		3992	Escutcheon—Range Switch Escutcheon—
C-39	3846	Capacitor—2250 mmfd.....		6614	Glass—Station selector dial glass.....
C-37	3846	Capacitor—2250 mmfd.....		6615	Ring—Retaining ring for dial glass—
C-31	3848	Capacitor—300 mmfd.....		6616	Bezel—Metal bezel for station selector dial.....
R-4	3863	Resistor—400 Ohms—Carbon Type— $\frac{1}{2}$ watt.....		6672	Screen—Translucent Celluloid Screen for Dial Lamps—
R-10				6673	Pointer—Station Selector Pointer—
R-12	3864	Capacitor—300 mmfd.....		6678	Dial—Station selector dial.....
C-46	3865	Capacitor—160 mmfd.....		SPEAKER ASSEMBLIES	
C-47	3866	Capacitor—1500 mmfd.....		8969	Cone—Speaker Cone.....
C-51	3866	Capacitor—1500 mmfd.....		9438	Speaker—Complete.....
C-43	3867	Capacitor—.01 mfd.....		9439	Coil—Field Coil, Magnet and Cone Support.....
C-6	3888	Capacitor—.05 mfd.....			
C-22					
C-48					
C-52					
C-27	3931	Capacitor—.45 mmfd.....			
C-64	3973	Capacitor—1000 mmfd.....			
C-34	3974	Capacitor—975 mmfd.....			
	6300	Socket—Four Contact Tube Socket.....			
C-54	3643	Capacitor—.005 mfd.....			
C-60	6571	Capacitor—10 mfd.....			
	6603	Capacitor—4 Gang Variable Tuning Capacitor..			
C-13	S-1399	Capacitor—.1 mfd.....			

Model 143, 242 & 340A A.C. Receivers



USED ON TABLE MODEL

ALIGNMENT PROCEDURE

R.F. & Det. (X)	400 K.C.
R.F. & Det. (A)	1700 K.C.
R.F. & Det. (B)	6,000 K.C.
R.F. & Det. (C)	18,000 K.C.
Oscillator (X)	400 K.C.
Oscillator (A)	600 K.C., 1700 K.C.
Oscillator (B)	6,000 K.C.
Oscillator (C)	18,000 K.C.
Intermediate Frequency	460 K.C.

Peak all R.F. stages.
Align I.F. stages by means of oscillograph.

REPLACEMENT PARTS—MODELS 143, 242 & 340A

Insist on genuine factory tested parts, which are readily identified and may be purchased from authorized dealers.

Key No.	Stock No.	DESCRIPTION	Key No.	Stock No.	DESCRIPTION
		RECEIVER ASSEMBLIES			
	4379	Board—Terminal Board—Two terminals.....	L-19		
	4427	Bracket—Volume control, tone control or noise suppressor mounting bracket.....	L-20		
			L-23	S-1463	Coil—Oscillator Coil—"B-SW".....
	S-1404	Cap—Contact cap—.....	L-24		
C-21			C-23		
C-25	S-1360	Capacitor—Oscillator trimmer capacitor.....	C-28		
C-19			L-17		
C-41	4633	Capacitor—50 mmfd.....	L-18		
C-52	4635	Capacitor—100 mmfd.....	L-21	7809	Coil—Oscillator Coil—"PB-LW".....
C-8	4697	Capacitor—200 mmfd.....	L-22		
C-24	3937	Capacitor—300 mmfd.....	C-22		
C-59	4413	Capacitor—360 mmfd.....	C-26		
C-27	4183	Capacitor—400 mmfd.....	C-6		
C-43*	4412	Capacitor—1120 mmfd.....	C-16	7801	Condenser—3 gang variable tuning condenser.....
C-52*	4409	Capacitor—1120 mmfds.....	C-20		
C-29	4634	Capacitor—1120 mmfds.....		4371	Cover—Fuse mount cover.....
C-17	4634	Capacitor—1120 mmfds.....		4631	Cover—Terminal strip cover.....
C-56	4524	Capacitor—2850 mmfd.....		10907	Fuse—3 ampere.....
C-49	4615	Capacitor—2850 mmfd.....		3376	Mount—Fuse mount assembly.....
C-50			R-30		
C-43	4628	Capacitor—0.004 mfd.....	R-31	4625	Resistor—Wire wound resistor—Comprising one 6500 ohms—4500 ohm and 450 ohm sections.....
C-48	6512	Capacitor—0.005 mfd.....	R-58		
C-44	3787	Capacitor—0.01 mfd.....	R-9	S-1405	Resistor—400 ohms—Carbon Type—1/4 watt.....
C-58	4212	Capacitor—0.01 mfd.....	R-3		
C-37	4624	Capacitor—0.01 mfd.....	R-12	4622	Resistor—500 ohms—Carbon type—1/4 watt.....
C-5	3888	Capacitor—0.05 mfd.....	R-10		
C-15			R-6	4338	Resistor—2500 ohms—Carbon type—1/4 watt.....
C-38	4417	Capacitor—0.05 mfd.....	R-11		
C-18	3877	Capacitor—0.1 mfd.....	R-13	4242	Resistor—3000 ohms—Carbon type—1/4 watt.....
C-7	4415	Capacitor—0.1 mfd.....	R-17	4436	Resistor—5000 ohms—Carbon type—1/4 watt.....
C-14			R-22	3381	Resistor—10,000 ohms—Carbon type—1/4 watt.....
C-30	4645	Capacitor—0.1 mfd.....	R-20		
C-39			R-8		
C-57			R-19	3602	Resistor—60,000 ohms—Carbon type—1/4 watt.....
C-47	3750	Capacitor—0.25 mfd.....	R-23		
C-53			R-26	S-1354	Resistor—100,000 ohms—Carbon type—1/4 watt.....
C-54	7790	Capacitor—10 mfd.....	R-2		
C-42			R-7	3033	Resistor—1 megohm—Carbon type—1/4 watt.....
C-51	4619	Capacitor Pack—Comprising one 0.5 mfd. and one 10 mfd. capacitors.....	R-18		
C-45			R-16	6242	Resistor—2 megohms—Carbon type—1/4 watt.....
C-46	4626	Capacitor Pack—Comprising one 4 mfd., one 10 mfd. and one 8 mfd. capacitors.....	R-21		
C-55			R-15		
L-1			R-28	3078	Resistor—10,000 ohms—Carbon type—1/2 watt.....
L-2			R-21*	4623	Resistor—13,000 ohms—Carbon type—1/2 watt.....
L-5			R-27	2240	Resistor—30,000 ohms—Carbon type—1 watt.....
L-6	7810	Coil—Antenna Coil—"PB-LW".....	R-29		
L-3			R-25	4418	Resistor—100 ohms—Flexible type.....
L-4			R-1	3619	Resistor—400,000 ohms—Carbon type—1/4 watt.....
L-7			R-4	4618	Rheostat—Noise Suppressor rheostat.....
L-8	7803	Coil—Antenna Coil—"B-SW".....	R-59	S-1462	Shield—Antenna detector or oscillator coil shield.....
C-2			R-5	4627	Shield—First detector-Oscillator radiotron shield.....
C-4				S-1385	Shield—I. F. amplifier Radiotron shield.....
L-9				4663	Shield—Oscillator coil wiring shield—shield oscillator wiring from R.F. coil—Complete with terminal board, clamp and resistor.....
L-10				4664	Shield—Oscillator wiring shield—Shield oscillator coil wiring from R.F. coil—Complete with terminal strip and resistor.....
L-13	7808	Coil—Detector Coil—"PB-LW".....		4630	Shield—R.F. amplifier—Radiotron shield.....
L-14				4665	Shield—R.F. coil wiring shield with two resistors and terminal board.....
C-9				3529	Socket—Dial lamp socket.....
C-11				6300	Socket—4 contact radiotron socket.....
L-11				S-1150	Socket—5 contact radiotron socket.....
L-12				S-1151	Socket—6 contact radiotron socket.....
L-15	S-1464	Coil—Detector Coil—"B-SW".....		3572	Socket—7 contact radiotron socket.....
L-16					
C-10					
C-12					
C-13					

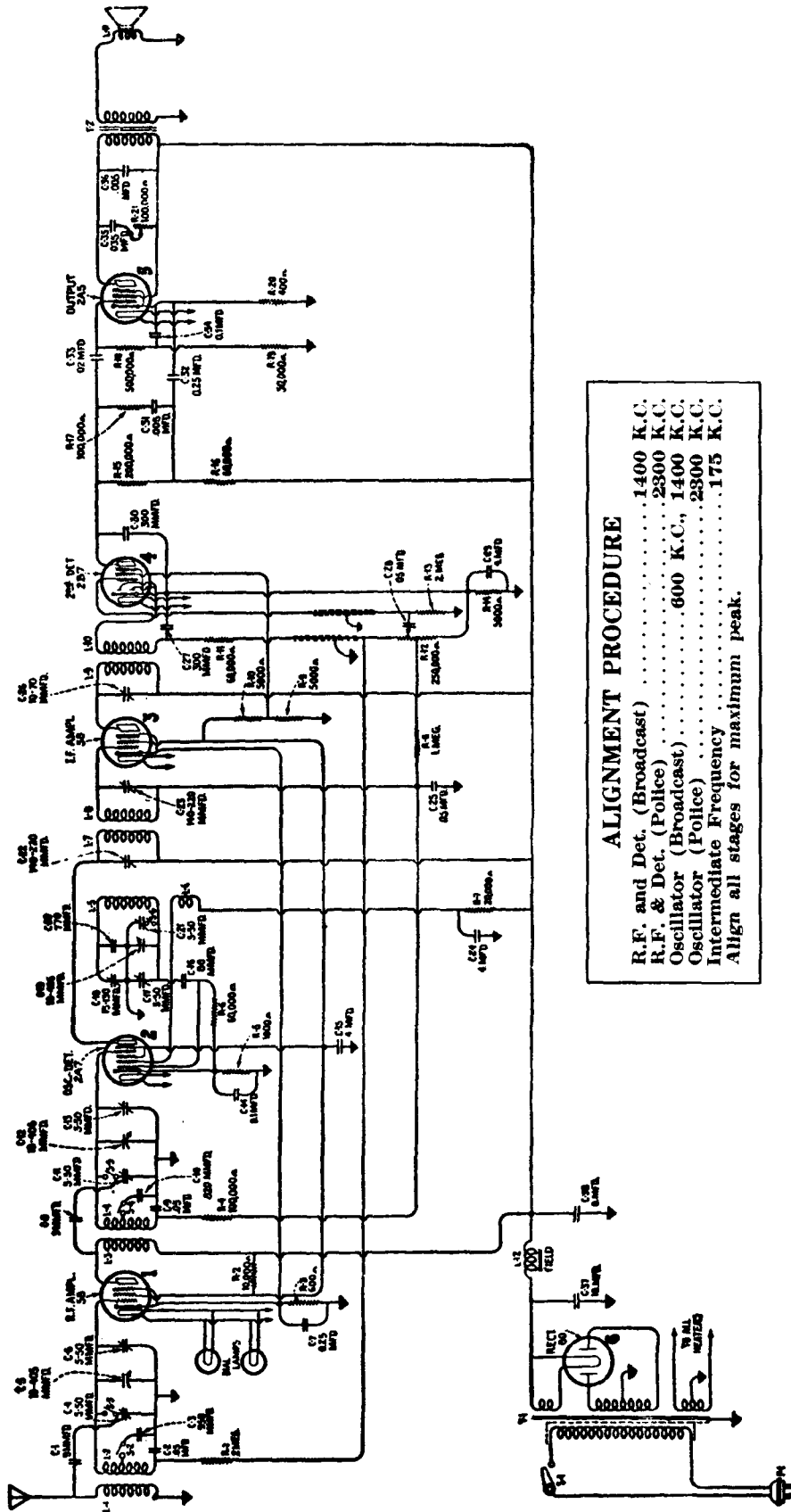
REPLACEMENT PARTS—MODELS 143, 242 & 340A (Continued)

Insist on genuine factory tested parts, which are readily identified and may be purchased from authorized dealers.

Key No.	Stock No.	DESCRIPTION	Key No.	Stock No.	DESCRIPTION		
S-2 } S-3 } S-4 } S-5 } S-6 } S-7 } S-8 } S-9 } S-10 } S-11 } S-12 }	4617	Switch—Range Switch.....		3768	Screw—No. 6-32- $\frac{1}{2}$ " square head set screw for band indicator operating arm or condenser drive—		
			4377	Spring—Band indicator and arm tension spring—			
			S-1491	Stem—Station selector pointer stem.....			
			4378	Stud—Band indicator operating arm stud—			
REPRODUCER ASSEMBLY (Table Model)							
R-24 } L-25 } L-26 }			4616	Tone Control.....	L-31	S-1483	Coil—Field coil.....
					S-1482	Cone—Speaker Cone complete.....	
					S-1484	Reproducer complete.....	
C-32 } C-33 } C-34 }			4431	Transformer—First Intermediate frequency transformer.....	T-3	S-1485	Transformer—Output transformer.....
					S-1486	Wrench—Special wrench for replacing cone assembly.....	
REPRODUCER ASSEMBLY (Console Model)							
T-1 } T-1 }			9505	Transformer—Power Transformer—105-125 V, 50-60 Cycles.....		4636	Cable—4 Conductor—reproducer cable.....
	9506	Transformer—Power Transformer—105-125 V, 25-30 Cycles.....			L-31	9537	Coil—Field coil magnet and cone support.....
L-27 } L-28 } C-35 } C-36 } C-40 } R-14 } T-2 } L-29 } R-32 }	4433	Transformer—Second Intermediate frequency transformer.....	L-30	8969	Cone—Reproducer cone.....		
			9536	Reproducer complete.....			
			4637	Transformer—Output transformer.....			
MISCELLANEOUS ASSEMBLIES							
			4362	Arm—Band indicator operating arm.....		6840	Bezel—Metal bezel (escutcheon) for station selector dial.....
			10194	Ball—Steel ball for variable condenser drive assembly—		4621	Dial—Station selector dial.....
			7799	Drive—Variable tuning condenser drive complete.....		6614	Glass—Station selector dial glass.....
			4364	Gear—Spring gear assembly complete with hub, pinion, gear, cover and spring.....		4449	Knob—Station selector, volume control, tone control, noise suppressor rheostat or range switch knob—
	4704	Indicator—Band indicator—Celluloid.....		4256	Lamp—Dial lamp—		
	4367	Indicator—Station selector vernier pointer—Small.....		6615	Ring—Retaining ring for dial glass—		
	4520	Indicator—Station selector main pointer—Large.....		4446	Screw assembly—Chassis mounting screw assembly—Comprising four screws, four lock-washers, four spacers and eight cushions.....		
	6672	Screen—Translucent screen for dial light—		4613	Screw—No. 8-32- $\frac{1}{4}$ " headless set screw for knobs—		

*R-21—2 megohms—Some models
*C-43—1120 mmfd.—Some models
*C-52—1120 mmfd.—Some models

Model 222 A.C. Receiver



ALIGNMENT PROCEDURE

R.F. and Det. (Broadcast)	1400 K.C.
R.F. & Det. (Police)	2300 K.C.
Oscillator (Broadcast)	1400 K.C.
Oscillator (Police)	2300 K.C.
Intermediate Frequency	455 K.C.

Align all stages for maximum peak.

REPLACEMENT PARTS—MODEL 222

Insist on genuine factory tested parts, which are readily identified and may be purchased from authorized dealers.

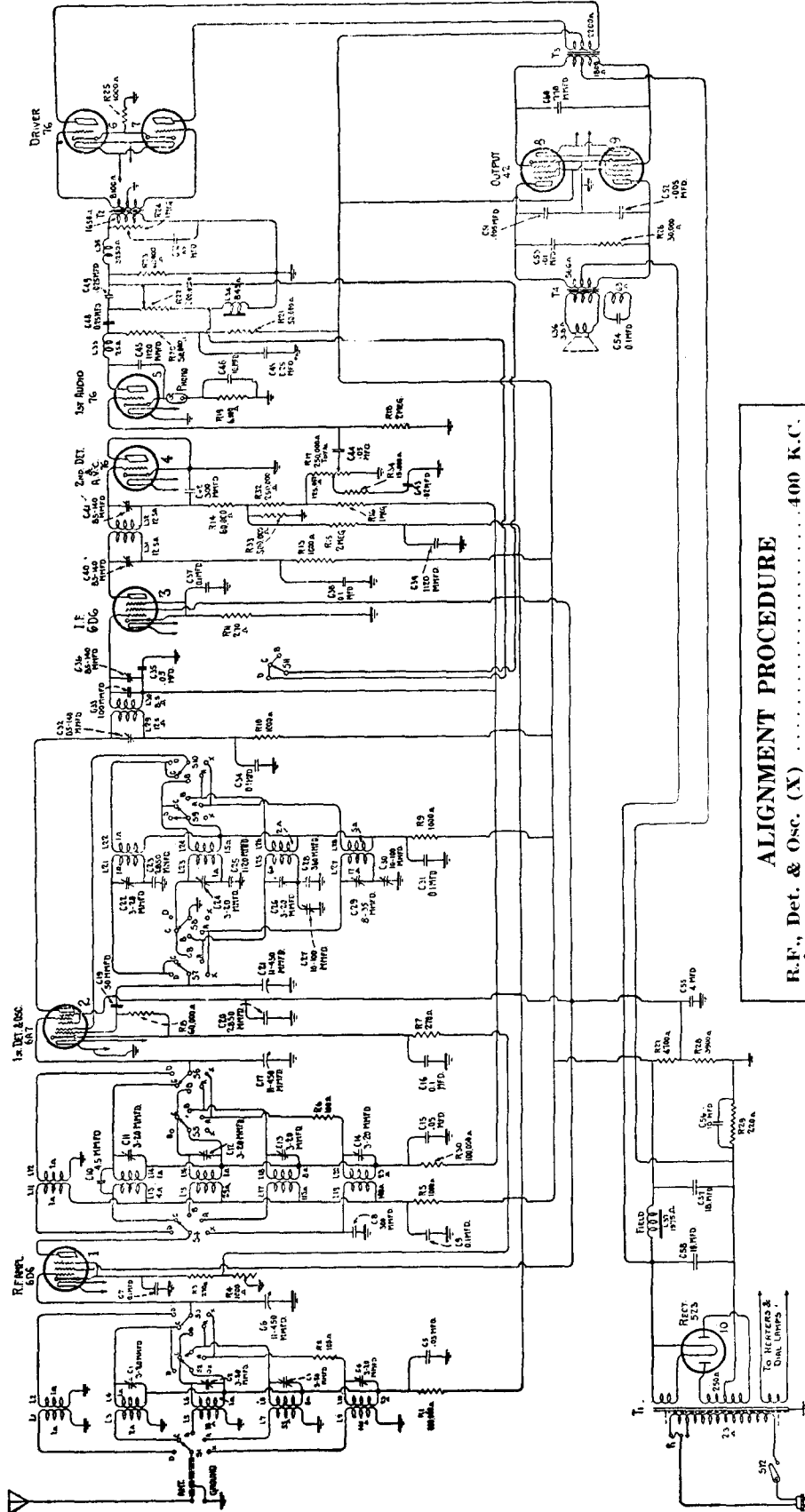
Key No.	Stock No.	DESCRIPTION	Key No.	Stock No.	DESCRIPTION
RECEIVER ASSEMBLIES					
	2747	Cap—Contact Cap—	R-7	6303	Resistor—20,000 ohms—Carbon type—1/2 watt.
R-5	S-1325	Resistor—1000 ohms—Carbon type—1/2 watt.	C-31	S-1430	Capacitor—.005 mfd.
R-18	3048	Resistor—500,000 ohms—Carbon type—1/2 watt.	C-37	6571	Capacitor—10 mfd.
R-8	3076	Resistor—1 megohm—Carbon type—1/2 watt.		6614	Glass—Station Selector dial glass.
R-17	S-1016	Resistor—100,000 ohms—Carbon type—1/2 watt.		6615	Ring—Retaining ring for dial glass—
R-4	S-1354	Resistor—100,000 ohms—Carbon type—1/4 watt.		S-1476	Bezel—Metal bezel (escutcheon) for station selector dial.
	S-1488	Socket—Dial Lamp Socket.	C-35	6620	Capacitor—Comprising one .005 mfd. and one .035 mfd. capacitor.
C-2	3640	Capacitor—0.05 mfd.—Located on antenna coil.	C-36	6672	Screen—Translucent screen for dial light—
	3572	Socket—7 contact Radiotron Socket.		S-1489	Pointer—Station selector pointer
R-19	3594	Resistor—50,000 ohms—Carbon type—1/2 watt.		S-1151	Socket—6 Contact radiotron socket.
C-27	3616	Capacitor—300 mmfd.		6680	Condenser—3 Gang variable tuning condenser.
C-30				R-21	6651
C-20	S-1317	Capacitor—770 mmfd.	S-1	6682	Volume Control.
	3622	Shield—Radiotron shield—Second detector.	R-12		
	3056	Shield—Radiotron Shield—Output	L-1	6683	Coil—Antenna Coil.
R-2	3630	Resistor—10,000 ohms—Carbon type—3 watt.	L-2		
C-33	S-1382	Capacitor—0.02 mfd.	C-2	6684	Coil—Detector Coil.
	4104	Shield—Radiotron Shield—Oscillator and first detector and R. F. Tubes.	R-1		
C-7	3702	Capacitor—0.25 mfd.	L-3	6685	Coil—Oscillator Coil.
C-32					
C-16	3711	Capacitor—80 mmfd.	L-5	6686	Transformer — First intermediate frequency transformer.
	3768	Screw—Square head—6-32-1/4" Set screw for condenser drive—	L-6		
C-1	S-1351	Capacitor—9 mmfd.	L-7	6687	Transformer—Second intermediate frequency transformer.
C-8					
	7487	Shield—Radiotron Shield—I. F. tube.	C-22	6688	Shield—Antenna, detector or oscillator coil shield.
	6300	Socket—4 Contact Radiotron socket.	C-23		
C-18	S-1360	Capacitor—Adjustable capacitor.	L-9	6689	Switch—Range Switch.
C-14	3877	Capacitor—0.1 mfd.	L-10		
C-34				C-26	6690
	3878	Screw—4-40 Screw for fastening station selector indicator—	T-2	6691	Capacitor pack—Comprising one 8.0 mfd. and three 4.0 mfd. capacitors.
R-9	3891	Resistor—5000 ohms—Carbon type—1 watt.	C-15		
R-10				C-24	6693
R-3	3892	Resistor—600 ohms—Carbon type—1/2 watt.	C-29		
R-14	3021	Resistor—5000 ohms—Carbon type—1/2 watt.	C-38	6722	Dial—Station selector dial.
C-10	3894	Capacitor—520 mmfd.		9442	Transformer—Power transformer—105-125 V. —25-60 Cycles.
C-3	3895	Capacitor—950 mmfd.		10194	Ball—Steel Ball for condenser drive assembly—
C-9	3888	Capacitor—.05 mfd.			
C-25				T-1	
C-28					
R-20	3897	Resistor—400 ohms—Carbon type—1 watt.			
	4449	Knob—Station selector, volume control, tone control or range switch knob—			
R-13	S-1032	Resistor—2 megohms—Carbon type—1/2 watt.			
R-15	S-1280	Resistor—200,000 ohms—Carbon type—1/2 watt.			
R-1	6242	Resistor—2 megohms—Carbon type—1/2 watt —Located on antenna coil.			
R-6	S-1121	Resistor—60,000 ohms—Carbon type—1/2 watt.		8935	Cone—Reproducer Cone.
R-11				S-1397	Coil—Field coil, magnet and cone support.
R-16				9445	Reproducer complete.
REPRODUCER ASSEMBLIES					

REPLACEMENT PARTS—MODEL 230

Insist on genuine factory tested parts, which are readily identified and may be purchased from authorized dealers.

Key No.	Stock No.	DESCRIPTION	Key No.	Stock No.	DESCRIPTION
		RECEIVER ASSEMBLIES			
		R-18 3526 Resistor — 2000 ohms — Carbon type—1/2 watt.			
		R-8 3602 Resistor — 60,000 ohms — Carbon type—1/4 watt.			
C-6	S-1429 S-1308	Cap—Contact cap— Capacitor—.1 mfd.—R.F. and I.F. Bypass.	R-2	3630	Resistor — 10,000 ohms — Carbon type—3 watts.
C-34	S-1318	Capacitor—.01 mfd.	R-3	3769	Resistor—750 ohms—Carbon type—1/2 watt.
	S-1504	Capacitor—3 gang tuning capacitor.	R-20	3770	Resistor—50 ohms—Wire wound—Porcelain type.
C-24	S-1332	Capacitor—.05 mfd.	R-4	3771	Resistor — 8500 ohms — Carbon type—3 watts.
C-17	2269	Capacitor—720 mmfd.	R-9 } R-14 } R-15 }	6303	Resistor — 20,000 ohms — Carbon type—1/2 watt.
C-35	2957	Capacitor—10 mfd.—electrolytic capacitor.	S-1150		Socket—5 contact tube socket.
C-18	3459	Capacitor—80 mmfds.	S-1151		Socket—6 contact tube socket.
C-29	3460	Capacitor—1200 mmfds.	3572		Socket—7 contact tube socket—Oscillator.
C-27 & C-33 }	3536	Capacitor — Filter capacitor — 2 50 mfd.	3529		Socket—Station selector dial lamp socket.
C-26	3616	Capacitor—300 mmfds.	3719		Socket—7 contact tube socket.
C-25	3634	Capacitor—160 mmfds.	6300		Socket—4 contact tube socket.
C-2			L-12	S-1501	Reactor—Filter reactor.
C-9	3640	Capacitor—.05 mfd.	3584		Ring—Antenna, R. F. and Oscillator coil retaining ring—
C-10			3622		Shield—Tube shield—Second detector.
C-14			3682		Shield — Tube shield — Oscillator and 1st detector.
C-20	3641	Capacitor—.1 mfd.	3789		Shield—Tube shield—I.F. and R.F.
C-32	3765	Capacitor—.025 mfd.	S-1502		Scale—Dial scale for station selector drive.
C-28	3772	Capacitor—.5 mfd.	T-2	S-1498	Transformer—Driver transformer.
C-31	3784	Capacitor—900 mmfds.	6553		Transformer—1st I. F. transformer.
C-7 & C-36 }	6555	Capacitor—Comprising 1—10. mfd. and 1—4.0 mfd. capacitors.	6554		Transformer—2nd I.F. transformer.
C-30	6648	Capacitor—.25 mfd.	T-1	S-1499	Transformer—Power transformer—105—125 volts, 50—60 cycles.
C-40	7062	Capacitor — Adjustable trimmer capacitor.	T-1	S-1500	Transformer—Power transformer 105—125 volts, 25—30 cycles.
	6470	Coil—Antenna coil.			REPRODUCER ASSEMBLIES
	6471	Coil—Oscillator coil.			
	6472	Coil—R. F. Coil.			
R-12	S-1506	Control—Volume control.		S-1508	Board—Terminal Board complete.
R-17	S-1505	Control—Tone control.		6556	Transformer—Output transformer.
	S-1503	Drive—Variable capacitor drive assembly complete.		8969	Cone—Reproducer cone.
	4363	Pointer—Station selector dial pointer.		9434	Coil assembly—Comprising field coil, magnet and cone support.
R-5	S-1016	Resistor—100,000 ohm—Carbon Type—1/2 watt.		S-1507	Reproducer complete.
R-16					
R-1	S-1032	Resistor — 2 megohm — Carbon Type—1/2 watt.			
R-10					
R-19	S-1116	Resistor — 15,000 ohms — Carbon type—1/2 watt.			
R-11	S-1121	Resistor — 60,000 ohms — Carbon type—1/2 watt.			
R-7	S-1293	Resistor — 1500 ohms — Carbon type—1/2 watt.			
R-13					
R-6	3076	Resistor—1 megohm—Carbon type—1/2 watt.			

Model 262 A.C. Receiver



ALIGNMENT PROCEDURE

R.F., Det. & Osc. (X)	400 K.C.
R.F., Det. & Osc. (A)	1700 K.C.
R.F., Det. & Osc. (B)	6,000 K.C.
R.F., Det. & Osc. (C)	18,000 K.C.
Oscillator (A)	600 K.C., 1700 K.C.
Intermediate Frequency	460 K.C.

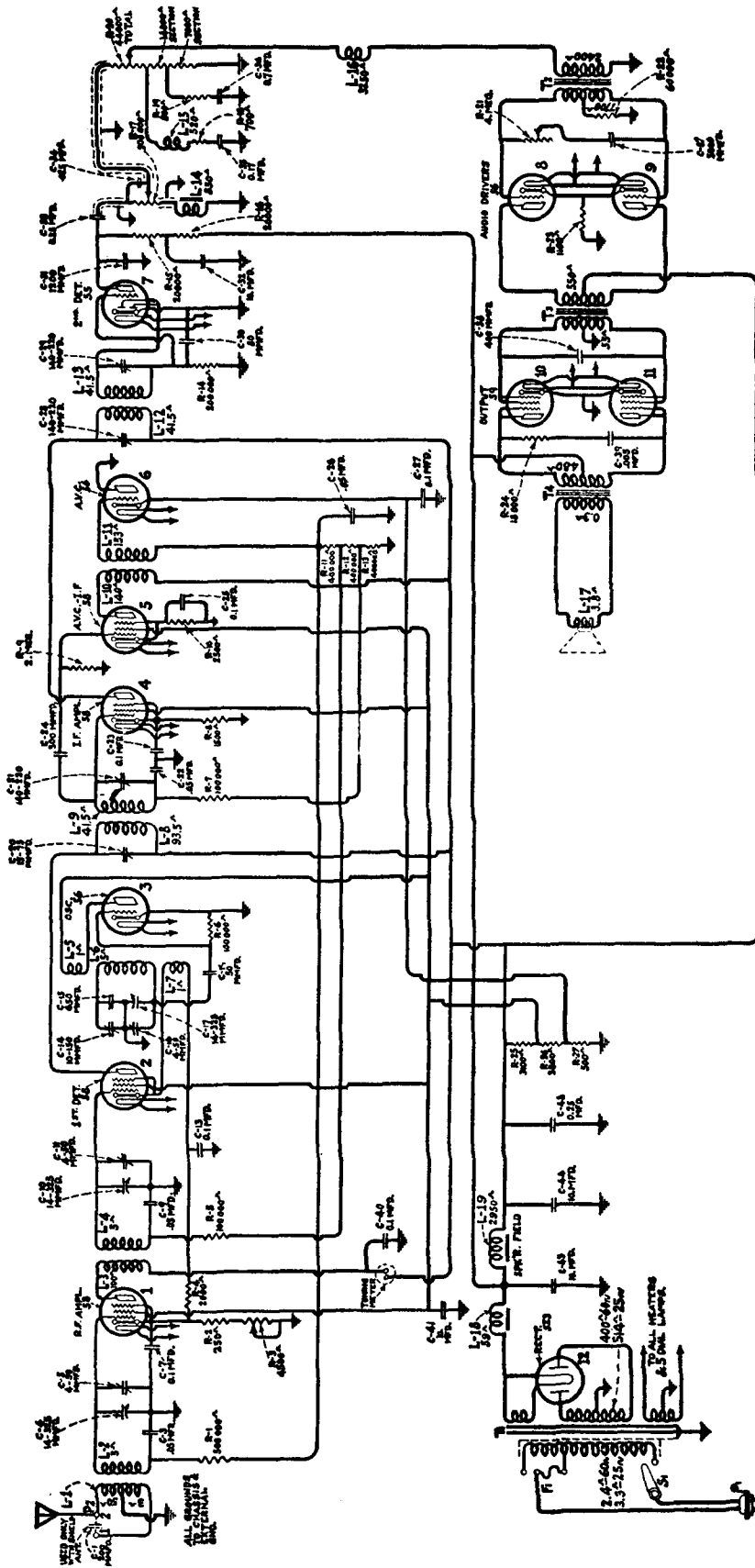
Note:—Band (D) is untuned. Alignment is obtained by dressing coil bus leads in relation to the circuit components.

REPLACEMENT PARTS—MODEL 262—Continued

Insist on genuine factory tested parts, which are readily identified and may be purchased from authorized dealers.

KEY No.	Stock No.	DESCRIPTION	KEY No.	Stock No.	DESCRIPTION
L-23 } L-24 } L-27 } L-28 } C-24 } C-29 } C-6 } C-17 } C-21 }	7809	Coil—Oscillator coil—PB—LW.....		4364	Gear—Spring gear assembly complete with hub, pinion, gear cover and spring.....
				4361	Indicator—Band indicator—Celluloid—lettered D.C.B.A.X.—.....
R-5 } R-8 } R-2 } R-6 }	7801	Condenser—3 gang variable tuning condenser.....		4363	Pointer—Station selector main (large) pointer.....
				4367	Pointer—Station selector vernier (small) pointer.....
				6672	Screen—Celluloid screen for dial light.....
	4256	Lamp—Dial lamp.....		3768	Screw—No. 6-32 $\frac{1}{2}$ " square head set screw for band indicator operating arm or variable condenser drive.....
	4370	Resistor—1,000 ohms—Carbon Type— $\frac{1}{4}$ watt.....		4377	Spring—Band indicator and arm tension spring.....
	3602	Resistor—60,000 ohms—Carbon type— $\frac{1}{4}$ watt.....		4378	Stud—Band indicator operating arm stud.....
	4418	Resistor—100 ohms—Flexible Type.....			
	4656	Screw—Chassis mounting screw assembly—Comprising one bushing, one washer, one shakeproof washer and one nut (four sets required to mount chassis).....			
	S-1462	Shield—Antenna, detector or oscillator coil shield.....			CABLE ASSEMBLIES
	4104	Shield — First detector-oscillator radiotron shield.....		4653	Cable—Main cable.....
	3683	Shield—Radiotron shield top.....		4654	Cable—4 Conductor—Reproducer cable.....
	4235	Shield—R. F. amplifier radiotron shield.....		4655	Cable—Shielded cable—From low frequency tone control to resistor boards.....
	3529	Socket—Dial lamp socket.....			
	S-1151	Socket—6 Contact tube socket.....			REPRODUCER ASSEMBLIES
	3572	Socket—7 Contact tube socket.....			
S-1 } S-2 } S-3 } S-4 } S-5 } S-6 } S-7 } S-8 } S-9 } S-10 } S-11 }	7836	Switch—Range Switch.....	L-37	7835	Coil—Field coil-magnet and cone support.....
				L-36	8969
				9543	Reproducer—Reproducer complete.....
			T-4 } C-54 }	7834	Transformer—Output transformer and capacitor.....
					MISCELLANEOUS PARTS
	4362	Arm—Band indicator operating arm.....		6840	Bezel—Metal bezel (escutcheon) for station selector dial glass.....
	10194	Ball—Steel ball for variable condenser drive assembly.....		6614	Glass—Station selector dial glass.....
	4455	Dial—Station selector dial.....		3829	Knob—Bass or treble tone control, volume or sensitivity control, range switch or operating switch knob.....
	7799	Drive—Variable tuning condenser drive assembly complete.....		4425	Knob—Station selector control knob.....
				6615	Ring — Retaining ring for dial glass —.....
				4393	Screw—8-32 $\frac{3}{8}$ " headless set screw for knobs No. 3829—.....
				4119	Screw—8-32 $\frac{1}{4}$ " Headless set screw for knob No. 4425—.....

Model 280 A.C. Receiver



ALIGNMENT PROCEDURE

R.F. & Det. Stages 1400 K.C.
 Oscillator Stage 600 K.C., 1400 K.C.
 Intermediate Frequency 175 K.C.
 Align all stages for maximum peak.

REPLACEMENT PARTS — MODEL 280

Insist on genuine factory tested parts, which are readily identified and may be purchased from authorized dealers.

Symbol No.	Stock No.	DESCRIPTION	Symbol No.	Stock No.	DESCRIPTION
RECEIVER ASSEMBLIES					
R-6)	S-1016	Resistor — 100,000 ohms — Carbon	C-3		
R-7)		Type— $\frac{1}{2}$ Watt.....	C-9		
	S-1029	Spring—Tuning condenser drive cord	C-22	3640	Capacitor—0.05 mfd.....
		spring—.....	C-26		
R-1	S-1067	Resistor — 500,000 ohms — Carbon	C-7		
		Type— $\frac{1}{2}$ Watt.....	C-13		
R-23	S-1117	Resistor 1,100 ohms—Carbon Type—	C-23	3641	Capacitor—0.1 mfd.....
		$\frac{1}{2}$ Watt.....	C-25		
R-11)			C-27		
R-12	S-1119	Resistor — 400,000 ohms — Carbon	C-37	3643	Capacitor — .005 mfd. — High Fre-
R-13		Type— $\frac{1}{2}$ Watt.....			quency Tone Control.....
R-22	S-1121	Resistor — 60,000 ohms — Carbon		3719	Socket — 7 contact radiotron tube
		Type— $\frac{1}{2}$ Watt.....			socket.....
R-10	S-1132	Resistor—2,500 ohms—Carbon Type	R-25}	3774	Resistor — 7,400 ohms — Tapped at
		— $\frac{1}{2}$ Watt.....	R-26}		3,800 and 500 ohms.....
	S-1137	Drum—Dial drum.....	R-27}		
	S-1140	Shield—Radiotron tube shield.....		3780	Shutter—Noise suppressor shutter.....
	S-1141	Shield—Radiotron tube shield top.....		3781	Shutter—Volume control shutter.....
	S-1150	Socket—5 contact radiotron tube	L-15	3782	Shield—Tube shield—second detector.
		socket.....		3797	Reactor—Volume control compen-
	S-1151	Socket—6 contact radiotron tube	R-18	3798	sating reactor.....
		socket.....			Resistor—700 ohms—carbon type—
	S-1269	Knob—Volume control noise sup-	C-30	3799	$\frac{1}{2}$ watt.....
		pressor or tuning control knob.....	A-6000	6300	Capacitor—80 mmfd.....
	S-1270	Knob—High or low frequency tone			Screw driver — non metallic screw
		control knob.....			driver for alignment.....
	S-1271	Cord—Tuning condenser drive cord—		6300	Socket — 4 Contact radiotron tube
				socket.....
R-14	S-1280	Resistor — 200,000 ohms — Carbon	C-1	6312	Capacitor—650 mmfd.....
		Type— $\frac{1}{2}$ Watt.....		6437	Coil—Oscillator coil.....
C-40	S-1308	Capacitor—0.1 mfd.—Tuning meter	R-20	6438	Coil—Detector coil.....
		filter.....	R-17	6447	Control—Volume control.....
	S-1313	Shaft—Tuning condenser drive shaft	R-21	6448	Tone Control — Low frequency tone
		—comprising: 1 shaft, 2 "C" wash-			control.....
		ers and 2 Flat washers.....		6449	Tone Control—High Frequency tone
F-1	S-1353	Fuse—2 ampere fuse.....	R-3	6450	control.....
R-5	S-1354	Resistor — 100,000 ohms — Carbon		6461	Rheostat—Noise suppressor rheostat.
		Type— $\frac{1}{2}$ Watt.....		6461	Meter—Tuning meter.....
	S-1355	Bracket—Station selector dial lamp	T-3	6547	Bezel—tuning meter bezel.....
		bracket.....	L-16	6562	Transformer—driver transformer.....
C-39	S-1356	Capacitor—0.05 mfd.—capacitor in	L-8 & }	6563	Reactor—volume control series reactor
		output stage.....	L-9	6564	Transformer—First intermediate fre-
C-34	S-1357	Capacitor—0.025 mfd.....	L-10 & }	6565	quency transformer.....
R-15)	S-1358	Resistor — 20,000 ohms — Carbon	L-11	6566	Transformer—A. V. C. intermediate
R-16)		Type—3 Watt.....	L-12 & }	6567	frequency transformer.....
	S-1359	Coil—Antenna coil.....	L-13		Transformer — Second intermediate
C-14	S-1360	Capacitor — Adjustable Trimmer	C-35 & }	6567	frequency transformer.....
		Capacitor—10-150 mmfd.....	C-36		Capacitor pack—comprising one 0.17
R-24	2730	Resistor — 18,000 ohms — Carbon	T-2	6568	mfd. and one 0.7 mfd. capacitors.....
		Type—1 Watt.....			Transformer—Interstage audio trans-
R-8	3047	Resistor — 1,500 ohms — Carbon	C-43}	6571	former.....
		Type— $\frac{1}{2}$ Watt.....	C-44}		Capacitor — 10.0 mfd. electrolytic
C-38	3085	Capacitor—400 mmfd.....	L-14	6572	capacitor.....
R-2	3435	Resistor—250 ohms—Carbon Type—	C-32}	6574	Reactor—Tone control reactor.....
		$\frac{1}{2}$ Watt.....	C-41}		Capacitor Pack—Comprising two 10.0
C-31	3460	Capacitor—1200 mmfd.....	L-18	6578	mfd. capacitors.....
R-4	3526	Resistor — 2,000 ohms — Carbon		6618	Reactor—Filter reactor.....
		Type— $\frac{1}{2}$ Watt.....		7580	Cable—4 conductor reproducer cable.
R-19	3527	Resistor—800 ohms—Carbon Type—		7581	Scale—Dial and dial scale.....
		$\frac{1}{2}$ Watt.....			Capacitor — 3 gang tuning capacitor
	3529	Socket noise suppressor or volume in-	T-1	9028	assembly.....
		dicator lamp socket.....			Transformer — Power transformer
	3533	Shutter—High frequency tone control	T-1	9029	110V-60 Cycles.....
		shutter.....			Transformer — Power transformer
	3534	Shutter—Low frequency tone control			110V-25 Cycles.....
		shutter.....			
	3535	Socket—High or Low frequency tone			
		control indicator lamp socket.....			
	3551	Screw Assembly—Chassis mounting	S-1284		REPRODUCER ASSEMBLIES
		washer and screw assembly—Com-	S-1361		Board — Terminal board complete
		prising: 4 screws, 4 lockwashers, 4			with two terminals—
		washers, 8 cushions and 4 spacers,	T-4	6569	Board — Terminal board complete
C-19	3558	per set.....		8920	with four terminals.....
	3565	Capacitor—50 mmfd.....		8969	Transformer—Output transformer.....
C-33)		Socket—dial lamp socket.....		9031	Ring—Cone retaining ring.....
C-45)	3597	Capacitor—0.25 mfd.....			Cone—reproducer cone.....
					Coil Assembly—Field coil, magnet
					and cone support assembly.....

REPLACEMENT PARTS—MODEL 281

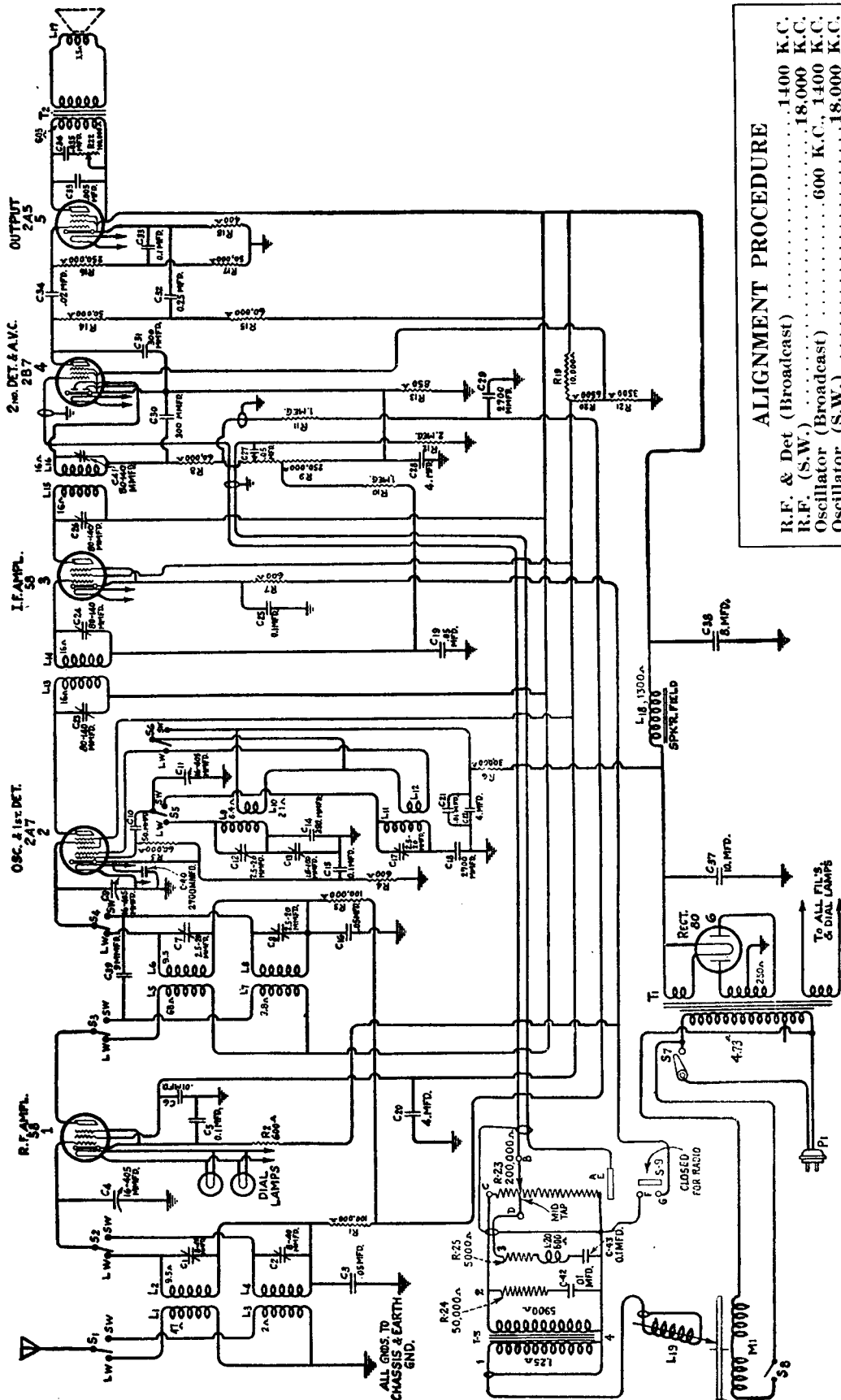
Insist on genuine factory tested parts, which are readily identified and may be purchased from authorized dealers.

KEY No.	Stock No.	DESCRIPTION	KEY No.	Stock No.	DESCRIPTION
RECEIVER ASSEMBLIES			R-38		
	4372	Bracket—Low frequency tone or volume control mounting bracket.....	R-39	6997	Resistor—Total resistance 14,470 ohms with 160-60-350-7150 and 6750 ohm sections.....
	4406	Bracket—High frequency tone control mounting bracket.....	R-40		
	S-1404	Cap—Contact cap.....	R-41		
C-64	4407	Capacitor—30 mmfd.....	R-42		
C-52	4405	Capacitor—80 mmfd. in 3rd I.F. transformer....	R-4	7804	Rheostat—Noise suppressor rheostat.....
C-39	4376	Capacitor—250 mmfd.—Located on second intermediate frequency transformer.....	S-1385		Shield—First I. F.; AVC-I. F. or Second I. F. Tube shield.....
C-46				3683	Shield—Tube Shield Top.....
C-33	4404	Capacitor—500 mmfd. on 1st I. F. transformer..	4104		Shield—Second detector or A. V. C. Tube shield.
C-53			S-1462		Shield—Shield for intermediate frequency coils
C-54	4409	Capacitor—1120 mmfd.....	6300		Socket—4 Contact rectifier tube socket.....
C-66	4070	Capacitor—.004 mfd.....	S-1150		Socket—5 Contact A. V. C. Tube Socket.....
C-62	S-1457	Capacitor—.005 mfd.....	S-1151		Socket—6 Contact Tube Socket.....
C-63			S-13	7796	Switch—Operating switch.....
C-65	S-1430	Capacitor—.005 mfd.....	R-27	7795	Tone Control—Low frequency.....
C-61	3787	Capacitor—.01 mfd.....	R-34	7797	Tone Control—High frequency.....
C-36			L-34	7794	Transformer—A. V. C. Intermediate Frequency Transformer.....
C-44	3888	Capacitor—.05 mfd.....	L-35		
C-48			T-3	7785	Transformer—Driver Transformer.....
C-42	S-1458	Capacitor—.025 mfd.....	L-29		
C-58			L-30		
C-32			L-31	7791	Transformer — First intermediate frequency transformer.....
C-41			C-33		
C-43	4645	Capacitor—.1 mfd.....	C-34		
C-51			C-35		
C-37			T-1	9505	Transformer — Power transformer — 105-125 volts—50-60 Cycles.....
C-38			T-1	9506	Transformer — Power transformer — 105-125 volts—25-40 cycles.....
C-47	3877	Capacitor—.1 mfd.....	L-32		
C-57	S-1459	Capacitor—.25 mfd.....	L-33		
C-67	7790	Capacitor—.19 mfd.....	C-39	7792	Transformer—Second intermediate frequency transformer.....
C-68	S-1460	Capacitor—.18 mfd.....	C-40		
C-59	7787	Capacitor pack—Comprising one .15 mfd. and one .5 mfd. capacitors.....	C-45		
C-60			C-46		
C-55	7789	Capacitor pack—Comprising one 4, one 8 and one 10 mfd. capacitors.....	L-36		
C-69			L-37		
C-70			C-49	7793	Transformer—Third intermediate frequency transformer.....
L-38	7806	Coil—Second detector plate choke coil.....	C-50		
	4371	Cover—Fuse mount cover.....	C-52		
	4359	Cover—Terminal board cover.....	R-23		
	10907	Fuse—3 ampere —.....	L-41	7786	Transformer pack—Comprising one reactor and interstage transformer.....
	S-1461	Mount—Fuse mounting assembly.....	T-2		
L-39	7784	Reactor—Tone Control reactor.....	R-31	7798	Volume Control.....
L-40	S-1149	Reactor—Volume control compensating reactor.....			
R-3					
R-7	6135	Resistor — 270 ohms — Carbon type — ¼ watt.....			
R-14					
R-20					
R-30	4240	Resistor—700 ohms—Carbon Type—¼ watt...	C-19	4646	Capacitor—4.5 mmfd.....
R-29	4375	Resistor—800 ohms—Carbon Type—¼ watt...	C-19	4416	Capacitor—50 mmfd.....
R-21	6247	Resistor—850 ohms—Carbon type—¼ watt...	C-8	3981	Capacitor—300 mmfd.....
R-9			C-28	4413	Capacitor—360 mmfd.....
R-10			C-25	4412	Capacitor—1120 mmfd.....
R-15			C-23	4524	Capacitor—2850 mmfd.....
R-16	4370	Resistor—1000 ohms—Carbon type—¼ watt...	C-20	4615	Capacitor—2850 mmfd.....
R-22			C-5		
R-35			C-15	4417	Capacitor—0.05 mfd.....
R-13	4687	Resistor—1000 ohms—Carbon type—½ watt..	C-7	4415	Capacitor—0.1 mfd.....
R-37	3110	Resistor—25,000 ohms—Carbon type—¼ watt.	C-9		
R-32	3602	Resistor—60,000 ohms—Carbon type—¼ watt.	C-16	4645	Capacitor—0.1 mfd.....
R-11	S-1354	Resistor — 100,000 ohms — Carbon type — ¼ watt.....	C-31		
R-17			C-27		
R-23	3116	Resistor—200,000 ohms—Carbon type—¼ watt —Located on Third I. F. Transformer.....	C-30	S-1360	Capacitor—Adjustable Capacitor.....
R-18	4368	Resistor — 400,000 ohms — Carbon type — ¼ watt.....	L-1		
R-19			L-2	4410	Coil—Antenna Coil "Band D".....
R-24			L-3		
R-33	6242	Resistor—2 megohms—Carbon type—¼ watt..	L-4		
R-26	3021	Resistor—5000 ohms—Carbon type—½ watt..	L-7	7803	Coil—Antenna Coil "B"—"SW".....
R-36	2240	Resistor—30,000 ohms—Carbon type—1 watt..	L-8		
R-25	S-1358	Resistor—20,000 ohms—Carbon type—3 watt..	C-1		
			C-3		
					R. F. UNIT ASSEMBLIES

REPLACEMENT PARTS—MODEL 281 (Continued)

KEY No.	Stock No.	DESCRIPTION	KEY No.	Stock No.	DESCRIPTION
CABLE ASSEMBLIES					
L-5 } L-6 } L-9 } L-10 } C-2 } C-4 } L-13 } L-14 } L-17 } L-18 } C-11 } C-13 } L-15 } L-16 } L-19 } L-20 } C-12 } C-14 } L-11 } L-12 } L-21 } L-22 } L-25 } L-26 } C-22 } C-26 } L-23 } L-24 } L-27 } L-28 } C-24 } C-29 } C-6 } C-17 } C-21 }	7810	Coil—Antenna Coil—"PB-LW".....	T-4 } C-56 }	7815	Cable—Audio Cable.....
R-5 } R-8 } R-1 } R-12 } R-2 } R-6 }		S-1354		Coil—Detector Coil—"B-SW".....	7813
	S-1464	Coil—Detector Coil—"B-SW".....		7812	Cable—Main cable.....
				7814	Cable—Reproducer cable—4 conductor.....
REPRODUCER ASSEMBLIES					
	7808	Coil—Detector Coil—"PB-LW".....		4193	Board—Terminal board.....
				9509	Coil—Field coil magnet and cone support.....
	4421	Coil—Detector Coil Band "D".....		7000	Cone—Reproducer cone.....
				9508	Reproducer complete.....
	S-1463	Coil—Oscillator Coil—"B-SW".....		4506	Transformer — Output transformer and capacitor.....
	7809	Coil—Oscillator Coil—"PB- & LW".....		MISCELLANEOUS ASSEMBLIES	
	7801	Condenser—3 Gang variable tuning condenser..		6840	Bezel—Metal bezel for station selector dial.....
	4419	Lead—Shielded Single conductor antenna lead..		6614	Glass—Station selector dial glass.....
	4370	Resistor—1000 ohms—Carbon type—1/4 watt..		4425	Knob—Station selector knob.....
	3602	Resistor—60,000 ohms—Carbon type—1/4 watt..		3829	Knob—Volume control, tone control, noise suppressor or range switch knob.....
	S-1354	Resistor — 100,000 ohms — Carbon type — 1/4 watt.....		4256	Lamp—Dial lamp.....
	4418	Resistor—100 ohms—Flexible Type.....		6615	Ring—Station selector dial glass retaining ring.....
	S-1462	Shield—Antenna, Detector or Oscillator Coil Shield.....		4119	Screw—8-32 1/4" headless set screw for knobs.....
	4104	Shield—First detector—oscillator tube shield...		DRIVE ASSEMBLIES	
	3683	Shield—Radiotron shield cap.....		4362	Arm—Band indicator operating arm.....
	4235	Shield—R.F. Amplifier radiotron shield.....		10194	Ball—Steel ball for condenser drive assembly—
	3529	Socket—Dial lamp socket.....		4455	Dial—Station selector dial.....
	S-1151	Socket—6 Contact tube socket.....		7799	Drive—Variable tuning condenser drive assembly—complete.....
	3572	Socket—7 contact tube socket.....		4364	Gear—Spring gear assembly complete with hub pinion, gear cover and spring.....
	4686	Strip—Terminal strip engraved "Ant-Gnd".....		4361	Indicator—Band indicator—Celluloid—Lettered —D.-C.-B-A-X—
S-1 } S-2 } S-3 } S-4 } S-5 } S-6 } S-7 } S-8 } S-9 } S-10 } S-11 } S-12 }	7802	Switch—Range Switch.....		4363	Pointer—Station selector main pointer—Large..
				4367	Pointer—Station selector vernier pointer—Small.....
				4669	Screw—6-32-3/8" square head set screw for variable condenser drive assembly—
				4377	Spring—Band indicator and arm tension spring.....
				4360	Stem—Pointer stem assembly.....
				4378	Stud—Band indicator operating arm stud—

Model 321 RCA Victrola



ALIGNMENT PROCEDURE

R.F. & Det (Broadcast)	1400 K.C.
R.F. (S.W.)	18,000 K.C.
Oscillator (Broadcast)	600 K.C., 1400 K.C.
Oscillator (S.W.)	18,000 K.C.
Intermediate Frequency	370 K.C.

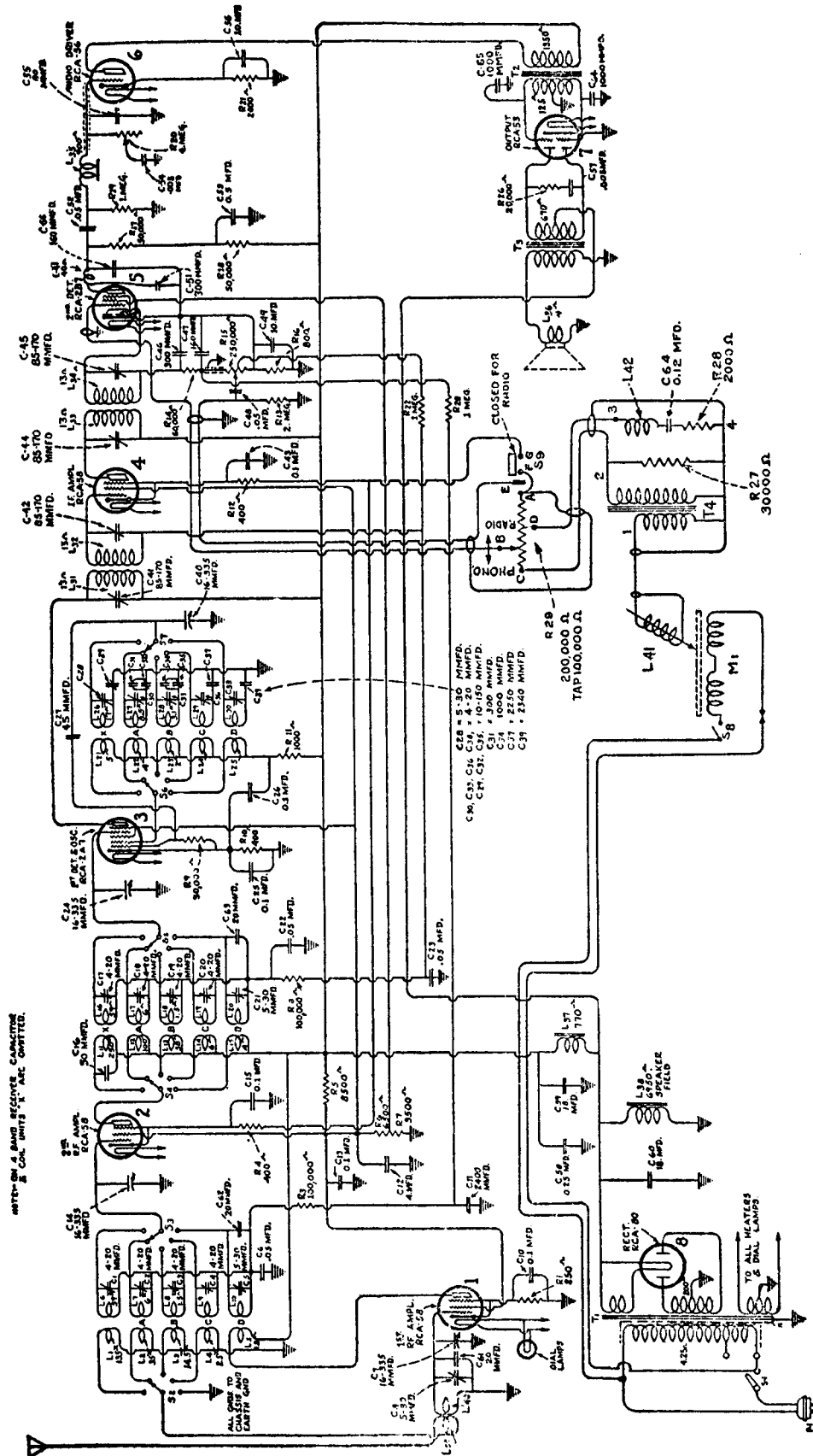
Align all stages for maximum peak.

REPLACEMENT PARTS—MODEL 321

Insist on genuine factory tested parts, which are readily identified and may be purchased from authorized dealers.

Key No.	Stock No.	DESCRIPTION	Key No.	Stock No.	DESCRIPTION
RECEIVER ASSEMBLIES					
R-6	2240	Resistor—30,000 ohms—Carbon Type—1 watt.	C-20	6703	Capacitor Pack—Comprising one 8. mfd. and two 4. mfd. capacitors.
	2747	Cap—Contact cap	C-22		
	3622	Shield—2nd detector radiotron shield	C-38		
R-10	3076	Resistor—1 megohm—Carbon type—1/2 watt.	R-22	S-1471	Shaft—Tuning condenser drive assembly shaft.
R-11				S-1391	Tone Control complete
R-3	S-1354	Resistor—100,000 ohms—Carbon type—1/4 watt.		3941	Dial—Station selector dial.
R-11				S-1390	Pointer—Station selector pointer
R-20	3470	Resistor—6,500 ohms—Carbon type—1 watt.	R-5	3602	Resistor—60,000 ohms—Carbon—1/4 watt.
R-16	3514	Resistor—250,000 ohms—Carbon type—1/2 watt.	S-1385	3602	Shield—I. F. and R. F. Amplifier radiotron shield.
	3529	Socket—Dial lamp socket	T-1	9446	Transformer—Power transformer, 105-125 volts, 50-60 Cycles
	3572	Socket—7 Contact Radiotron socket.	T-1	9451	Transformer—Power transformer, 105-125 volts, 25-40 Cycles
R-14	3594	Resistor—50,000 ohms—Carbon type—1/2 watt.		10194	Ball—Steel ball for condenser drive assembly
R-17	3631	Resistor—850 ohms—Carbon type—1/2 watt.			
R-13	S-1382	Capacitor—.02 mfd.			
C-34	3683	Shield—Radiotron shield top.			
C-6	3701	Capacitor—.01 mfd.		3516	PICKUP ASSEMBLIES
C-21	3702	Capacitor—.25 mfd.		3386	Damper and bushing assembly—Located at bottom of pickup arm base
C-32	3768	Screw—Square head No. 6-32-1/4" set screw for condenser drive		3387	Cover—Pickup cover
					Screw assembly—Pickup mounting screw assembly—comprising one screw, one nut and one washer
C-28	3796	Capacitor—4.0 mfd.		3388	Screw—Pickup needle holding screw
C-10	3849	Capacitor—50 mmfd.		3389	Rod—Automatic brake trip rod
	6300	Socket—4 Contact radiotron socket.	S-1363		Armature—Pickup armature
C-13	S-1360	Capacitor—Adjustable capacitor.	S-1467		Screw—Cover mounting screw
C-5			S-1468		Cover—Pickup back cover, fin. 38A
C-15				3737	Damper—Viscoloid damping block
C-25	3877	Capacitor—1 mfd.		6346	Back—Pickup housing back
C-33				6601	Pickup—Magnetic pickup complete
	3878	Screw—No. 4-40-1/8" screw for fastening selector pointer		3728	Coil—Pickup Coil
				7706	Arm—Pickup arm less pickup and escutcheon
C-19	3888	Capacitor—.05 mfd.			
C-27			S-1395		REPRODUCER ASSEMBLIES
R-2	3892	Resistor—600 ohms—Carbon type—1/2 watt.	8969		Transformer—Output transformer
R-4			S-1397		Cone—Reproducer Cone
R-7	3397	Resistor—400 ohms—Carbon type—1 watt.			Coil Assembly—Comprising field coil magnet and cone support
R-18			S-1475		Reproducer complete
C-3	3901	Capacitor—.05 mfd.			
C-16	3906	Mounting assembly—Variable condenser mounting assembly—comprising 3 bushings, 3 lock-washers, 3 nuts and 3 washers.			
C-30	3937	Capacitor—300 mmfd.		3338	TURNTABLE ASSEMBLIES
C-31					Ring—Clamp ring assembly—Comprising spring, latch lever and stud
C-39	3938	Capacitor—9 mmfd.		3340	Washer—Thrust washer
R-21	3939	Resistor—3500 ohms—Carbon type—1/2 watt.		3341	Pin—Groove pin
	3942	Shield—1st Detector radiotron shield		3342	Spring—Latch spring located on clamping ring
	6672	Screen—Translucent screen for dial light		3343	Sleeve—Sleeve complete with ball race
				3344	Cover—Grease retainer cover
	3944	Shield—Antenna R. F. or oscillator coil shield		3346	Bushing—Speed shifter lever bushing
	3991	Resistor—10,000 ohms—Porcelain type		3347	Spring—Speed shifter lever spring
R-19				3399	Lever—Speed shifter lever with mounting screws
C-18	S-1384	Capacitor—2,700 mmfd.		7084	Cover—Suede cover for turntable
C-29				8948	Turntable complete
C-40	4032	Capacitor—390 mmfd.			
C-14	S-1469	Screw—No. 8-32-1/2" headless cup point set screw for station selector knob	S-8	2947	MISCELLANEOUS PARTS
				3322	Leather—Friction leather
R-12	S-1032	Resistor—2 megohm—Carbon type—1/2 watt.			Switch—Automatic brake switch with mounting screws
R-8	S-1121	Resistor—50,000 ohms—Carbon type—1/2 watt		3391	Suspension spring and washer assembly for motor board—Comprising one bolt, one top spring, one bottom spring, two cup washers, one "C" washer and one nut.
R-15	6571	Capacitor—10 mfd.			Box—Needle box with lid
C-37	4692	Capacitor—Comprising one .005 mfd. and one .035 mfd.		3430	Cover—Automatic switch brake cover
C-35				3994	Knob—Tone control or range switch knob
C-36	S-1151	Socket—6 Contact radiotron socket.		6754	Knob—Volume Control Knob
C-4	6694	Condenser—3 Gang variable tuning condenser		6752	Knob—Station selector knob—large section
C-9			S-1466		Screw—Chassis mounting screw assembly comprising 4 screws, 4 washers and 8 cushions
C-11	S-1392	Volume Control		S-1398	Knob—Station selector knob—Small section
R-9				6614	Glass—Station selector dial glass
S-1				6615	Ring—Retaining ring for dial glass
S-2	S-1470	Range Switch		3829	Knob—Phonograph volume control knob
S-3				6766	Volume Control—Phonograph volume control
S-4				S-1476	Bezel—Metal Bezel for station selector dial
L-13	6697	Transformer—1st I. F. Transformer		6855	Cable—3 Conductor reproducer cable
L-14				6856	Cable—3 Conductor shielded (male) cable—Phonograph volume control
C-23				6857	Cable—2 Conductor motor cable
C-24	6698	Transformer—2nd I. F. Transformer		6858	Transformer—Phonograph input transformer—Comprising one reactor, one .01 mfd. and 0.1 mfd. capacitors, one 5,000 and one 50,000 ohm resistor
L-15					Springs—Automatic Brake springs
L-16				10174	
C-26	6699	Coil—R. F. Coil		10184	Plate—Automatic brake latch trip plate and screws
C-41					
L-5				3398	MOTOR ASSEMBLIES
L-6					Motor mounting assembly—Comprising 6 cup washers, 6 springs and 3 "C" washers
L-7				3817	Stud—Motor mounting stud
L-8				8989	Motor—Motor complete, 105-125 V., 60 Cycles
C-7				8992	Motor—Motor complete, 105-125 V., 25 Cycles
C-8				8993	Rotor and Shaft for 60 Cycles motor
L-9				8994	Spindle—Turntable spindle and gear for 60 Cycle motor
L-10					Rotor and shaft for 25 Cycle motor
L-11	6700	Coil—Oscillator Coil		9001	Spindle—Turntable spindle and gear for 25 Cycle motor
C-12					
C-17					
L-1	6701	Coil—Antenna Coil			
L-2					
L-3					
L-4					
C-1	S-1389	Drive—Variable Tuning condenser drive assembly complete.			
C-2					

Models 340 & 141 A.C. Receivers



Note—Omit phono connections on Model 141.

REPLACEMENT PARTS—MODELS 340 & 141

Insist on genuine factory tested parts, which are readily identified and may be purchased from authorized dealers.

Key No.	Stock No.	DESCRIPTION	Key No.	Stock No.	DESCRIPTION
RECEIVER ASSEMBLIES					
R-11	2747	Cap—Contact Cap—	L-23	6639	Coil and capacitor—Oscillator Coil and capacitor assembly—1500-4000 K. C.
R-19	S-1325	Resistor—1000 ohms—Carbon—1/2 watt.	L-28		
R-22	3076	Resistor—1 megohm—Carbon—1/2 watt	C-33	6640	Coil and capacitor—Antenna coil and capacitor assembly—4000-10,000 K. C.
R-23					
R-9	3114	Resistor—50,000 ohms—Carbon—1/4 watt.	L-4	6641	Coil and capacitor—R. F. coil and capacitor assembly—4000-10,000 K. C.
R-3					
R-8	S-1354	Resistor—100,000 ohms—Carbon—1/4 watt.	L-9	6642	Coil and capacitor—Oscillator Coil and capacitor assembly—4000-10,000 K. C.
R-1					
R-6	3435	Resistor—250 ohms—Carbon—1/2 watt.	L-14	6643	Coil and capacitor—R. F. coil and capacitor assembly—8000-18,000 K. C.
R-21	3470	Resistor—6,500 ohms—Carbon—1 watt.	L-19		
R-16	3526	Resistor—2,000 ohms—Carbon—1/2 watt.	C-20	6644	Coil and capacitor—Oscillator coil and capacitor assembly—8000-18,000 K. C.
C-26	3527	Resistor—800 ohms—Carbon—1/2 watt.	L-24		
		3529	Socket—Dial lamp socket.	L-29	S-1294
	3555	Capacitor—0.1 mfd.	C-36		
	3572	Socket—7 Contact radiotron socket—First detector and oscillator.	L-5	6628	Coil and capacitor—Ant. Coil and Capacitor assembly—8000-18,000 K. C.
R-17	3594	Resistor—50,000 ohms—Carbon—1/2 watt.	L-10		
R-18	3597	Capacitor—0.25 mfd.	C-5	6675	Shaft—Shaft for condenser drive assembly—Comprising shaft, ball race with retainer and set screw.
C-58					
R-14	3602	Resistor—60,000 ohms—Carbon—1/4 watt.	L-25	6679	Wand—Tuning wand for R. F. and oscillator adjustments.
C-51	3616	Capacitor—300 mmfd.	L-30		
C-10	S-1371	Capacitor—0.1 mfd.	L-39	S-1422	Capacitor—18 mfd.
			C-15		
C-25	S-1418	Capacitor—0.05 mfd.	L-40	S-1420	First intermediate frequency transformer.
C-57					
C-55	3711	Capacitor—80 mmfd.	C-8	S-1421	Second intermediate frequency transformer.
	3719	Socket—7 Contact Radiotron Socket.	L-33		
R-5	3771	Resistor—8,500 ohms—Carbon—3 watt.	L-34	S-1423	Tone Control.
C-39	3845	Capacitor—2,340 mmfd.	C-44		
C-37	3846	Capacitor—2,250 mmfd.	C-45	S-1372	Screw driver—For R. F. or I. F. adjustments.
C-31	S-1445	Capacitor—300 mmfd.	R-20		
R-4	3863	Resistor—400 ohms—Carbon type—1/2 watt.	T-1	9046	Transformer—Power transformer—105-125 V. 50-60 Cycles.
R-10					
R-12	3864	Capacitor—300 mmfd.	T-1	10194	Transformer—Power transformer—105-125 V. 25-40 Cycles.
C-46					
C-47	3865	Capacitor—160 mmfd.			Ball—Steel ball for condenser drive assembly—
C-6	3888	Capacitor—.05 mfd.			
C-22					
C-23	3901	Capacitor—.05 mfd.			
C-52					
C-48	3931	Capacitor—45 mmfd.			
C-27	3932	Capacitor—.0024 mfd.			
C-11	S-1448	Capacitor—1000 mmfd.			
C-64	3974	Capacitor—1000 mmfd.			
C-65	4030	Bracket—Tone or volume control mounting bracket.			
C-34	S-1416	Capacitor—20 mmfd.			
C-61	3942	Shield—First detector shield.			
C-62					
C-63	7487	Shield—I. F. and R. F. Radiotron Shield.			
L-41	4205	Coil—Second detector choke.			
C-13	S-1417	Capacitor—0.1 mfd.			
C-43	S-1188	Resistor—3,500 ohms—Carbon—1 watt.			
R-7	S-1032	Resistor—2 megs.—Carbon—1/2 watt.			
R-13	6300	Socket—4 Contact Radiotron Socket.			
R-26	6303	Resistor—20,000 ohms—Carbon—1/2 watt.			
C-54	S-1430	Capacitor—.005 mfd.			
C-7	6603	Condenser—4 Gang variable tuning condenser.			
C-14					
C-24	6604	Capacitor—0.5 mfd.			
C-40	6605	Transformer—Output transformer.			
C-53	6606	Reactor—Filter reactor.			
T-3	6607	Reactor—Tone control reactor.			
L-37	6608	Transformer—Audio driver transformer.			
L-35	6609	Capacitor—18. mfd.			
T-2	6612	Volume Control.			
C-59	6613	Drive—Variable condenser drive assembly—Complete.			
R-15	6626	Capacitor pack—Comprising one 4. mfd. and two 10. mfd. capacitors.			
C-12	6630	Switch—4 Band selector switch.			
C-49	6634	Coil and capacitor assembly—Antenna coil and capacitor assembly—540-1500 K. C.			
C-56	6635	Coil and Capacitor—R. F. Coil and capacitor assembly—540-1500 K. C.			
L-2	6636	Coil and Capacitor—Oscillator Coil and Capacitor assembly—540-1500 K. C.			
L-7	6637	Coil and Capacitor—Antenna coil and capacitor assembly—1500-4000 K. C.			
C-2	6638	Coil and capacitor—R. F. Coil and capacitor assembly—1500-4000 K. C.			
L-12					
L-17					
C-18					
L-22					
L-27					
C-30					
L-3					
L-8					
C-3					
L-13					
L-18					
C-19					
MOTOR ASSEMBLIES					
	3398	Motor mounting washer and spring assembly—Comprising 6 cup washers, 6 springs and 3 "C" washers—Per Set.			
	3817	Stud—Motor mounting stud.			
	8989	Motor—Complete 105-125 V.—60 Cycles.			
	8992	Motor—Complete 105-125 V.—25 Cycles.			
	8993	Rotor and shaft for 105-125 V.—60 Cycle motor.			
	8994	Spindle—Turntable spindle and fibre gear for 60 Cycle motor.			
	8999	Rotor and shaft for 105-125 Volt, 25 Cycle motor.			
	9001	Spindle—Turntable spindle and fibre gear for 25 Cycle motor.			
PICKUP ASSEMBLIES					
	3386	Cover—Pickup cover.			
	3387	Screw Assembly—Pickup mounting screw assembly—comprising one screw, one nut and one washer.			
	3388	Screw—Pickup needle holding screw			
	3389	Rod—Automatic brake trip rod with lock nut—			
	3390	Escutcheon—Pickup arm escutcheon complete with mounting rivets.			
	S-1363	Armature—Pickup armature.			
	S-1467	Screw—Pickup cover mounting screw—			
	3516	Damper and bushing assembly—Comprising one upper and lower damper, one upper bushing and one lower bearing—Located in bottom of pickup arm base—			
	S-1468	Cover—Pickup back cover.			
	3728	Coil—Pickup coil.			
	6346	Back—Pickup housing back.			
	6601	Pickup—Pickup unit complete.			
	7706	Arm—Pickup arm, less escutcheon pickup and mounting screw, nut and washer.			

REPLACEMENT PARTS—MODELS 340 & 141—Continued

Insist on genuine factory tested parts, which are readily identified and may be purchased from authorized dealers.

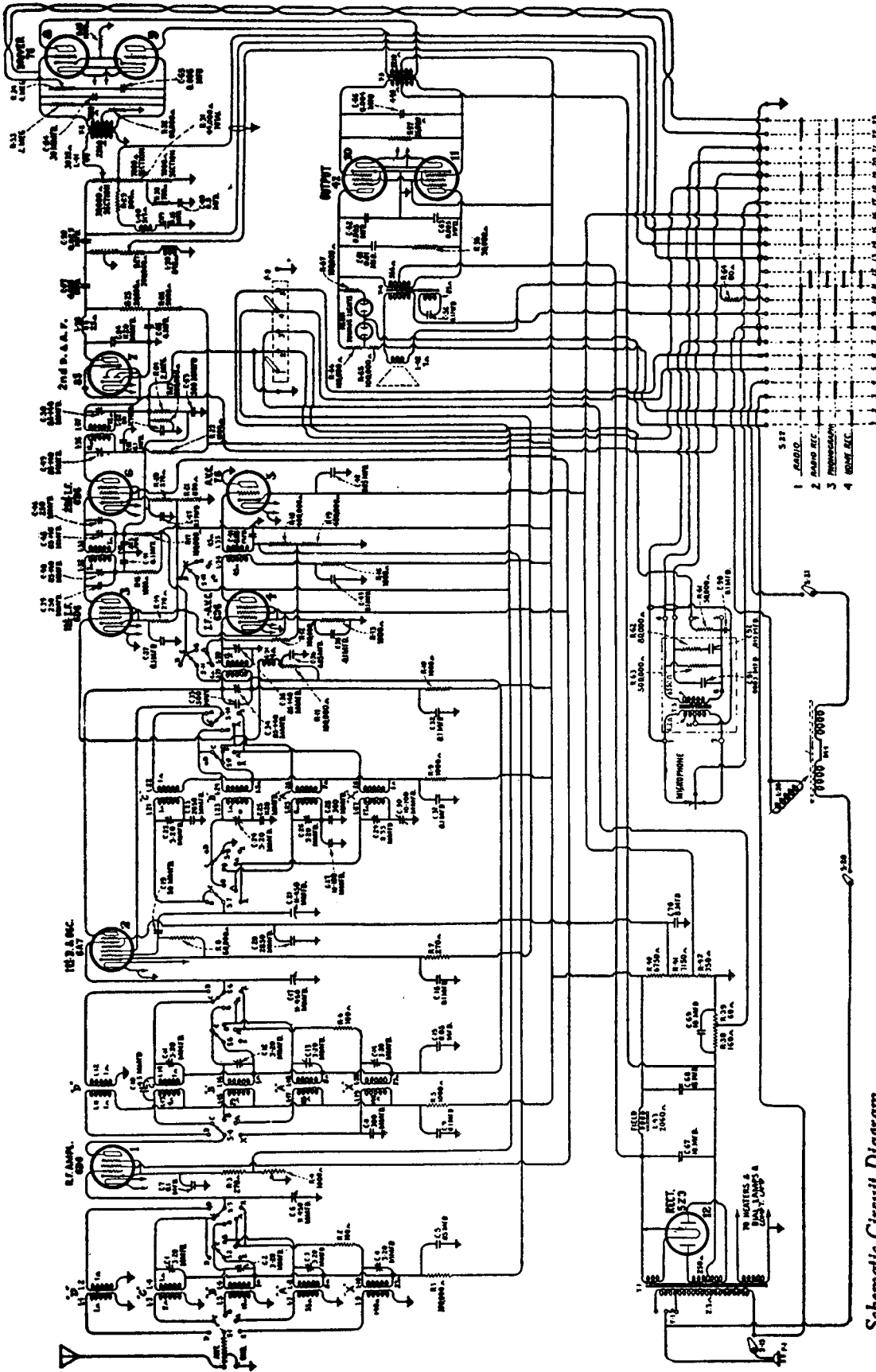
Key No.	Stock No.	DESCRIPTION	Key No.	Stock No.	DESCRIPTION
TURNTABLE ASSEMBLIES					
	3338	Ring—Clamp ring assembly comprising—spring latch lever and stud		3994	Cover—Automatic brake switch cover
	3340	Washer—Thrust washer		4053	Cable—3 Conductor cable from phonograph volume control to resistor boards
	3341	Pin—Groove Pin		3055	Cushion—Chassis support cushion
	3342	Spring—Latch spring located on clamping ring		6614	Glass—Station selector dial glass
	3343	Sleeve—Sleeve complete with ball race		6615	Ring—Retaining ring for dial glass
	3344	Cover—Grease retainer cover		6616	Bezel—Metal bezel for station selector dial
	3346	Bushing—Speed shifter lever bushing		6672	Screen—Translucent celluloid screen—for dial lamps
	3347	Spring—Speed shifter lever spring		6673	Pointer—Station selector pointer
	3399	Lever—Speed shifter lever		6678	Dial—Station selector dial
	7084	Cover—Suede cover for turntable		6766	Volume Control—Phonograph volume control and switch
	8948	Turntable Complete			
MISCELLANEOUS ASSEMBLIES			T-4		
	2947	Leather—Friction leather—	R-27		Transformer—Input transformer—Comprising one 30,000 ohm resistor, one 2,000 ohms resistor, one .12 mfd. capacitor, one compensating reactor and one transformer
	3322	Switch—Automatic brake switch with mounting screw	L-42	6767	
	3391	Suspension spring and washer for motor board—Comprising 1 bolt, 1 top spring, 1 bottom spring, 2 cup washers and "C" washer and 1 nut	R-28	6768	Cable—3 Conductor shielded cable from phonograph volume control to input transformer
	3430	Box—Needle box with lid	C-64	S-1368	Support—Metal support for chassis
	3829	Knob—Radio and phonograph volume control or tone control knob		9050	Oscillator—Test oscillator—150-25,000 K. C.
	3830	Knob—Station selector knob		10174	Springs—Automatic brake springs
	3831	Knob—Range switch knob		10184	Plate—Automatic brake latch—Trip plate with mounting screws
	3876	Cable—3 Conductor cable for speaker			
	3878	Screw—No. 4-40 $\frac{1}{4}$ " Fillister head screw and washer for fastening station selector pointer			
	3952	Escutcheon — Volume control escutcheon —		8969	Cone—Reproducer cone complete
	3992	Escutcheon — Range Switch escutcheon —		9438	Reproducer Complete
				9439	Coil Assembly—Field coil, magnet and cone support
					REPRODUCER ASSEMBLIES

ALIGNMENT PROCEDURE

External Oscillator Frequency	Dial Setting	Location of Line-Up Capacitors	Position of Selector Switch	Adjust for	Number of Adjustments to be Made
445 K. C.	Any setting that does not bring in station.	At top of chassis.	Any position that does not bring in station.	Maximum output.	4
370 K. C.	370 K. C.	Bottom of chassis.	X	Maximum output.	3
175 K. C.	Set for signal.	Top of chassis.	X	Maximum output while rocking dial back and forth	1
1400 K. C.	1400 K. C.	Bottom of chassis.	A	Maximum output.	3
600 K. C.	Set for signal.	Top of chassis.	A	Maximum output while rocking dial back and forth.	1
3900 K. C.	3900 K. C.	Bottom of chassis.	B	Maximum output.	3
1710 K. C.	Set for signal.	Top of chassis.	B	Maximum output while rocking dial back and forth.	1
10 M. C.	10 M. C.	Bottom of chassis.	C	Maximum output. (See Note.)	3
15 or 18 M. C.	15 or 18 M. C.	Bottom and top.	D	Maximum output. (See Note.)	4

NOTE—It is important to note, when aligning bands C and D, that two peaks will be observed on the trimmers for the oscillator and for the first detector. The correct oscillator peak is the one obtained using the lower trimmer capacitance, whereas the correct detector peak is the one obtained with the greater capacitance. It is essential that the proper peak be chosen, as otherwise tracking and sensitivity will be very poor at other frequencies. When adjusting the detector trimmer, the tuning capacitor should be rocked, since there is a reaction on the oscillator tuning.

Model 381 RCA Victrola



Schematic Circuit Diagram

ALIGNMENT PROCEDURE

R.F., Det. & Osc. (X)	400 K.C.	Intermediate Frequency	460 K.C.
R.F., Det. (A)	1700 K.C.	Peak all R.F. stages,	
R.F., Det. & Osc. (B)	6,000 K.C.	Note:—Band (D) is untuned, Alignment is obtained by	
R.F., Det. & Osc. (C)	18,000 K.C.	dressing coil bus leads in relation to the circuit com-	
Oscillator (A)	600 K.C., 1700 K.C.	ponents.	

**NOTE.- REFER TO MODEL 281 FOR RECEIVER PARTS LIST
REPLACEMENT PARTS FOR MODEL 381**

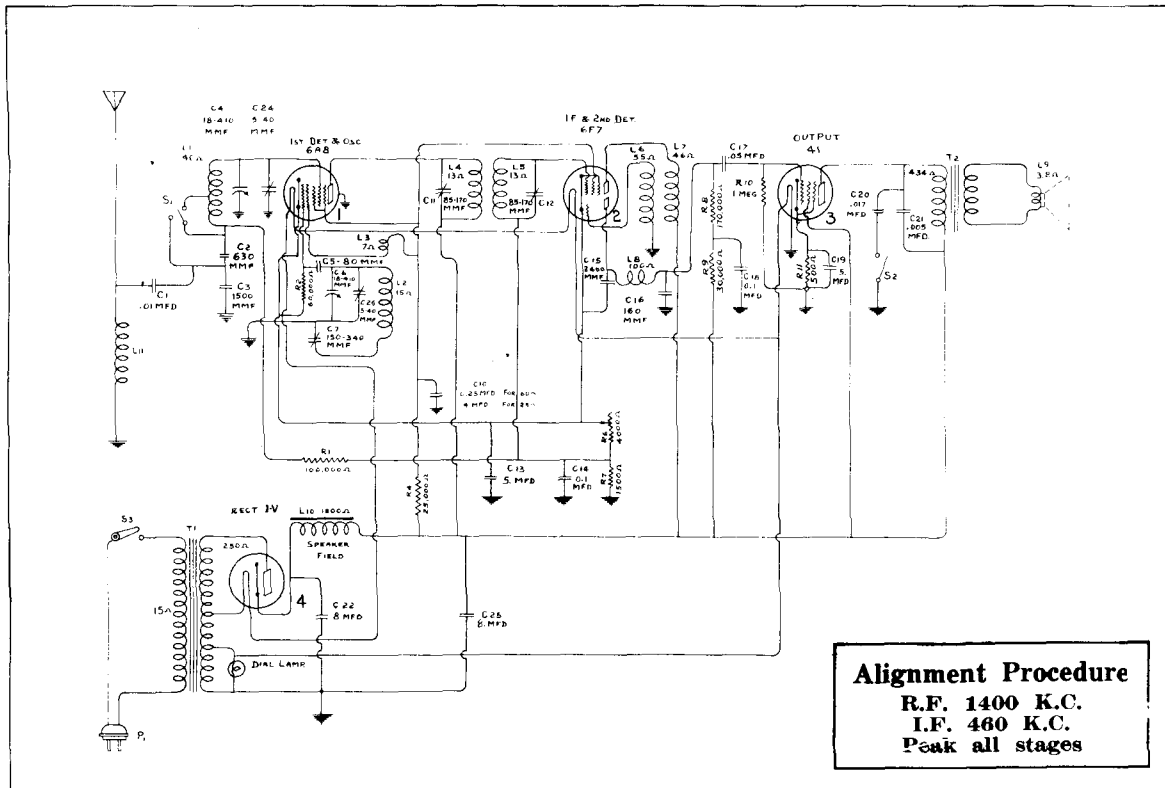
Insist on genuine factory tested parts, which are readily identified and may be purchased from authorized dealers.

STOCK NO.	DESCRIPTION	STOCK NO.	DESCRIPTION
CABLE AND PLUG ASSEMBLIES			
4547	Cable-3 Conductor-Recording Indicator Cable-with female section of connector plug-Stock No.4153-One end connected to resistor board.	3663	Spring-Eject arm horizontal action tension spring.
4548	Cable-3 Conductor with spade Terminals-Phonograph chassis cables-One end connected to selector switch,other end to Terminal board.	3657	Tip-Ejector tip.
4553	Cable-3 Conductor-Reproducer Cable with spade terminals.	2917	Washer-Spring washer.
4549	Cable-Input Transformer cable-3 branches with 2 male and one female section of connector plugs-Stock Nos.4571-4574 and S-1244.	3661	Yoke-Eject arm yoke assembly.
4576	Cable-Input Transformer-One end connected to selector switch-with two female sections of connector plugs-Stock Nos.4153 and 4571.	MICROPHONE ASSEMBLIES	
4550	Cable-Microphone cable-One end connected to microphone receptacle-3 conductor with male section of connector plug-Stock No.4574.	7534	Cord-Microphone cord.
4551	Cable-Recording indirect cable-One end connected to indicator with one male and one female section of connector plug-Stock No. 4573 and S-1244.	6883	Cover-Microphone Cover-Two sides.
4552	Cable-2 Conductor-Motor power cable-with three female sections of connector-Stock No.4573.	3216	Cushion-Microphone rubber cushions.
4554	Cable-Volume control cable-One end connected to selector switch,other end to volume control and low frequency tone control.	6884	Frame-Microphone frame.
4153	Plug-Female section of 4-contact connector plug-used with following cables-Stock Nos.4547 & 4576.	7533	Mechanism-Microphone mechanism.
4573	Plug-Female section of 2-Contact connector plug-Used with dial lamp cord and following cables-Stock No.4551 and 4552.	6882	Microphone complete.
4571	Plug-Female section of 6-Contact connector plug-Used with cables Nos.4547 and 4576.	4171	Plug-3 Contact microphone plug.
S-1244	Plug-Male section of 4-prong connector plug-Used with following cables-Stock Nos.4549 & 4551.	4158	Socket-Microphone socket.
4577	Plug-Male section of 2-prong connector plug-Connected to Terminals Nos.1-2-3 and 4 of selector switch.	MOTOR ASSEMBLIES	
4574	Plug-Male section of 6-prong connector plug-Used with cables Nos.4550 and 4549.	9011	Motor-Motor complete 105-125 V.,60 Cycle.
DRIVE ASSEMBLIES		9012	Motor-Motor complete 105-125 V.,25 Cycle.
4362	Arm-Band indicator operating arm.	9015	Rotor and shaft for 60 cycle motor.
10194	Ball-Steel ball for condenser drive assembly-	9017	Rotor and shaft for 25 Cycle motor.
4455	Dial-Station selector dial.	MOTOR BOARD ASSEMBLIES	
7799	Drive-Variable tuning condenser drive assembly-complete.	3674	Escutcheon-Engraved Manual--12-10
4364	Gear-Spring gear assembly complete with hub pinion, gear cover and spring.	3764	Nut-Cap nut for motor board suspension assembly.
4361	Indicator-Band indicator-Celluloid-Lettered-D.C.-B-A-X.	3672	Pin-Manual index pin.
4363	Pointer-Station selector main pointer-Large.	3680	Rest-Pickup rest.
4367	Pointer-Station selector vernier pointer-Small.	3763	Suspension spring,washer and bolt assembly for motor board-comprising one bolt,two cup washers, two springs,one "C" washer, and one cap nut.
4669	Screw-6-32-5/32" square head set screw for variable condenser drive assembly.	3654	Roller-Guide roller assembly-Comprising bracket,roller and guide pin.
4377	Spring-Band indicator and arm tension spring.	OPERATING MECHANISM ASSEMBLIES	
4360	Stem-Pointer stem assembly.	6502	Cam-Cam and gear assembly.
4378	Stud-Band indicator operating arm stud.	3670	Finger-Friction finger assembly.
EJECT ARM ASSEMBLIES		6504	Lever-Main lever and link assembly.
7605	Arm-Eject arm assembly complete.	S-1492	Lever-Manual index lever.
3658	Ball-Ball bearing.	3675	Lever-Tip lever assembly.
3656	Bearing-Ejector tip bearing.	3677	Lever-Cable lever assembly.
6575	Cover-Eject arm cover.	3777	Motor mounting spring,washer and stud assembly-Comprising three upper and three lower springs,six cup washers,three spring washers,and three studs.
3662	Plate-Ejector plate and felt pad.	6503	Pawl-Trip pawl assembly.
3655	Retainer-Ball retainer with 3 ball bearings.	3667	Plate-Actuating plate assembly.
3729	Roller-Counter balance roller-Located inside of eject arm.	2897	Screw-Cable lever tension spring adjustment screw and nut.
3665	Screw-Eject arm adjustment screw and nut.	3669	Screw-Special screw for holding main lever to actuating plate.
3660	Shaft-Eject arm shaft.	3673	Screw-Manual index lever adjustment screw and nut.
3730	Spring-Counter balance roller stop spring and pad-Located inside of eject arm.	2893	Spring-Trip lever tension spring.
		3653	Spring-Phospher bronze-Tip pawl spring.
		3666	Spring-Cable lever tension spring.
		3676	Spring-Cam and gear tension spring.
		3778	Spring-Main lever and link assembly tension spring.
		PICK-UP AND ARM ASSEMBLIES	
		S-1493	Arm-Pickup arm complete less escutcheon, pickup,pickup mounting screw nut and washer.
		S-1363	Armature-Pickup armature.
		3733	Back-Pickup housing back.
		S-1494	Coil-Pickup coil.
		3734	Cover-Pickup back cover.
		3732	Cover-Pickup cover.
		3516	Damper and bushing assembly-Located at bottom of pickup arm base.
		3737	Damper-Pickup damper.

REPLACEMENT PARTS — MODEL 381 (Continued)

STOCK NO.	DESCRIPTION	STOCK NO.	DESCRIPTION
			MISCELLANEOUS ASSEMBLIES
3779	Escutcheon-Pickup arm escutcheon complete with mounting rivets.	6646	Base-Phonograph compartment lamp base and socket.
S-1495	Pickup-Pickup unit complete.	4546	Bearing-Selector flexible shaft bearing and nut with set screw-Fastened to rear of motor compartment.
3735	Screw assembly-Pickup mounting screw assembly -Comprising one screw,one nut and one washer.	6840	Bezel-Metal bezel for station selector dial.
S-1364	Screw-Pickup cover mounting screw.	10241	Box-Needle box with lid.
	RECORDING INDICATOR ASSEMBLIES	4559	Bracket and bushing-Selector switch flexible shaft bracket and bushing-Fastened to selector switch.
4162	Escutcheon-Recording indicator escutcheon.	4572	Escutcheon-Selector switch escutcheon.
4161	Lamp-Neon Lamp.	6614	Glass-Station selector dial glass.
4164	Screen-Indicator lamp screen.	4425	Knob-Station selector or radio-phonograph-recording switch knob.
4163	Screw-Screen,escutcheon and terminal board mounting screw assembly-comprising two screws,two spacers,two nuts and two lock washers.	3829	Knob-Volume control,tone control,noise suppressor,operating switch or range switch knob.
	REPRODUCER ASSEMBLIES	4256	Lamp-Dial lamp.
4473	Board-Terminal board-Three terminals.	2779	Pointer-Selector switch pointer.
4568	Bolt assembly-Reproducer mounting bolt,assembly-Comprising one bolt,one lockwasher, one washer and one nut.	3759	Receptacle-Needle receptacle with mounting screws.
9542	Coil-Field coil, magnet and cone support.	4091	Resistor-80 ohms-Carbon type-1/4 watt-Located on selector switch (R64).
7000	Cone-Reproducer cone.	S-1354	Resistor-100,000 ohms-Carbon type-1/4 watt for recording indicator circuit (R65,R66,R67)
9541	Reproducer complete.	6615	Ring-Station selector dial glass retaining ring.
4502	Transformer-Output transformer and capacitor.	4119	Screw-8-32-1/4" headless set screw for knobs.
	SWITCH ASSEMBLIES	4191	Screw-10-32-7/16" dog point fillister head set screw-Used with flexible shaft bearing.
10184	Plate-Automatic brake latch plate with mounting screws.	3651	Screw-10-32-3/16" self-locking headless set screw-Used with flexible shaft bearing.
10174	Springs-Automatic brake springs.	3652	Screw-10-32-1/4" self-locking headless set screw for selector switch,flexible shaft bracket and bushing.
3322	Switch-Motor switch complete.	4580	Screw-6-32-3/16" square head set screw for selector switch flexible shaft.
3736	Rod-Automatic brake trip rod with lock nut.	4560	Screw assembly-Receiver chassis mounting screw and washer assembly.
	TURNTABLE ASSEMBLIES	6647	Shade-Compartment lamp shade.
3338	Ring-Clamping ring assembly-Comprising spring, latch lever and stud.	4558	Shaft-Selector switch flexible shaft.
3340	Washer-Thrust washer.	4544	Switch-Radio-Phonograph or home-recording selector switch. (S22.)
3341	Pin-Groove pin.	4579	Switch-Toggle type-Motor starting switch. (S21).
3342	Spring-Latch spring-Located on clamp ring.	4545	Transformer-Input transformer pack-Comprising one input transformer, one 50,000 ohm, one 5000,000 ohm and one 80,000 ohm resistor, one .0003 mfd. and one 0.1 mfd. and one .015 mfd. capacitor (T5, C90, C91, C92, R61, R62, R63).
3344	Cover-Grease retainer cover.		
3346	Bushing-Special shifter lever bushing.		
3347	Spring-Speed shifter lever spring.		
3678	Sleeve-Sleeve complete with ball race.		
3679	Lever-Speed shifter lever with mounting screws.		
9010	Turntable complete.		

Victor Model T4-1 A.C. Receiver



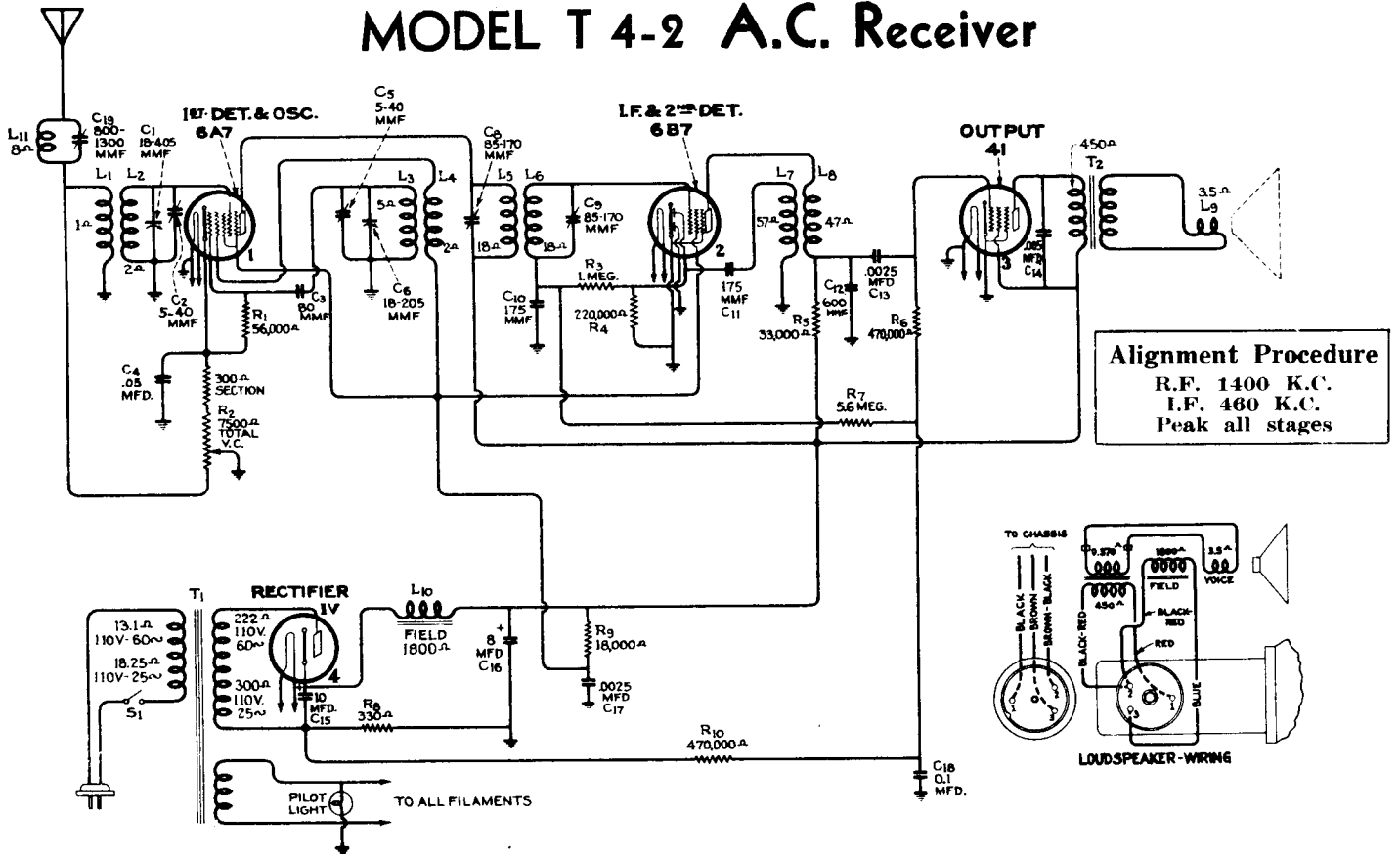
Schematic Circuit Diagram

REPLACEMENT PARTS FOR MODEL T4-1

Insist on genuine factory tested parts, which are readily identified and may be purchased from authorized dealers.

STOCK NO.	DESCRIPTION	STOCK NO.	DESCRIPTION
RECEIVER ASSEMBLIES		4104	Shield-Tube shield.
S-1151	Socket-6-contact tube socket.	4256	Pilot Lamp.
S-1293	Resistor-1500 ohms-Carbon Type 1/2 Watt (R7).	4449	Knob-Volume control, or Range Switch, or Tone control knob.
S-1354	Resistor-100,000 ohms-Carbon Type 1/4 Watt (R1).	6300	Socket-4 Contact tube socket.
S-1365	Resistor-1 megohm-Carbon Type 1/2 Watt (R10).	6660	Condenser-2 Gang tuning condenser.
S-1542	Socket-6 Contact metal tube socket.	6661	Capacitor Pack-Comprising two 5.0 mfd. and two 8.0 mfd. capacitors.
2747	Contact Cap.	6662	Transformer-First intermediate frequency transformer.
3077	Resistor-30,000 ohms-Carbon Type 1/2 Watt (R9).	6663	Transformer-Second intermediate frequency transformer.
3459	Capacitor-80 mmfd. (C5).	6664	Coil-Oscillator Coil.
3572	Socket-7 Contact tube socket.	6665	Shield-Oscillator coil shield and mounting bracket.
3584	Ring-Oscillator Coil Retaining Ring.	6666	Coil-Antenna coil.
3602	Resistor-60,000 ohms-Carbon Type 1/2 Watt (R2).	6667	Volume control.
3632	Resistor-500 ohms-Carbon Type 1 Watt (R11).	6668	Switch-Range switch.
3701	Capacitor-.01 mfd. capacitor (C1).	6669	Switch-Tone control switch.
3713	Capacitor-.05 mfd. capacitor (C17).	6787	Capacitor-Comprising one .005 mfd. and one .017 mfd. capacitor.
3857	Coil-Detector choke coil.	7641	Capacitor-4.0 mfd.
3858	Socket-Dial Lamp Socket and Bracket.	9465	Transformer-Power Transformer 105-125 Volts 25 and 60 Cycles.
3865	Capacitor-160 mmfd. (C16).		
3869	Resistor-17,000 ohms-Carbon type 1/2 Watt (R8).		
3873	Capacitor-1500 mmfd. Capacitor (C3).		
3877	Capacitor-0.1 mfd. capacitor (C14).		
3886	Reflector-Dial light reflector.		
3887	Dial-Station selector dial.		
3889	Resistor-25,000 ohm-Carbon Type 3 Watt (R4).	S-1473	Transformer-Output Transformer.
3932	Capacitor-2,400 mmfd. (C15).	9588	Cone-Reproucer cone.
3933	Capacitor-630 mmfd. (C2).	S-1472	Coil Assembly-Comprising field coil, magnet and cone support, less output transformer.
4000	Capacitor-Adjustable capacitor. (C7).	S-1541	Reproducer-Complete.
4018	Coil-Choke coil (L-11).		
4075	Knob-Station selector knob.		
			REPRODUCER ASSEMBLIES

MODEL T 4-2 A.C. Receiver

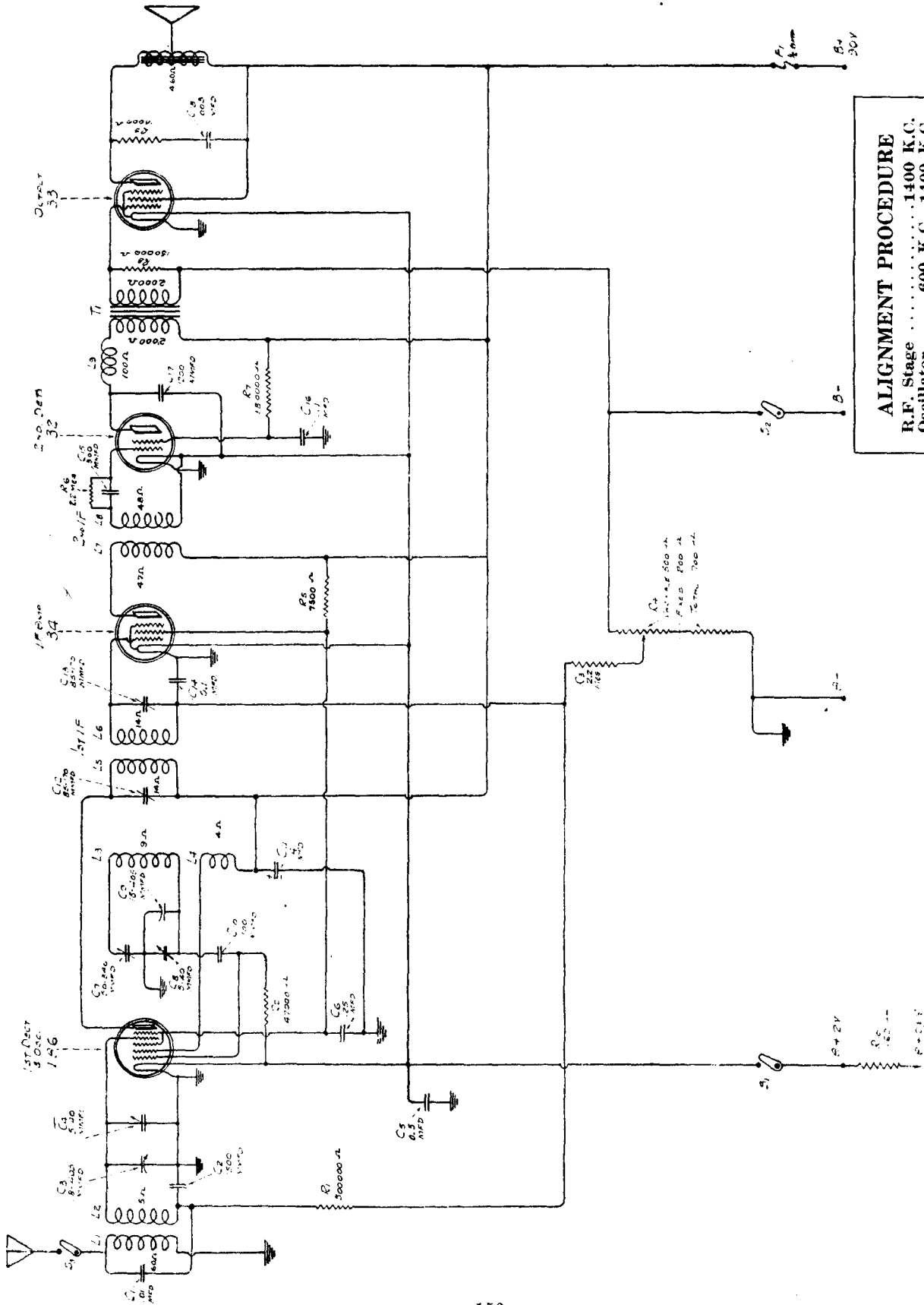


REPLACEMENT PARTS

Insist on genuine factory tested parts, which are readily identified and may be purchased from authorized dealers.

Stock No.	DESCRIPTION	Stock No.	DESCRIPTION
RECEIVER ASSEMBLIES			
4244	Cap - Grid contact Cap	4794	Socket - Four contact rectifier socket.....
6956	Cap - Second detector Radiotron Shield cap.....	4785	Socket - Six contact radiotron socket.....
4246	Capacitor - 80 mmfd. (C3).....	3572	Socket - Seven contact radiotron socket.....
5116	Capacitor - 175 mmfd. (C10).....	S-1571	Socket - Dial lamp socket.....
11500	Capacitor - 175 mmfd. (C11).....	4075	Knob - Volume control knob -
S-1585	Capacitor - 600 mmfd. (C12).....	4132	Knob - Volume control knob -
3932	Capacitor - .0025 mfd. (C13, C17)...	5152	Transformer - First intermediate frequency transformer (L5, L6, C8, C9)
4793	Capacitor - .005 mfd. (C14).....	7955	Transformer - Second intermediate frequency transformer (L7, L8).....
4836	Capacitor - .05 mfd. (C4).....	11665	Transformer - Power transformer - 105-125 Volts - 25 Cycles.....
4791	Capacitor - 0.1 mfd. (C18).....	11664	Transformer - Power transformer - 105-125 Volts - 60 Cycles (T1)....
11497	Capacitor - 8 mfd. (C16).....	11667	Trap - Wave trap (L11, C19).....
11240	Capacitor - 10 mfd. (C15).....	11663	Volume control (R2, S1).....
11661	Coil - Antenna coil (L1, L2).....		
11662	Coil - Oscillator coil (L3, L4)....		
11660	Condenser - Two gang variable tuning condenser (C1, C2, C5, C6)..		
11659	Dial - Station selector dial.....		
11670	Resistor - 330 ohms - carbon type - 1 Watt (R8).....		
11671	Resistor - 18,000 ohms - carbon type - 2 watts (R9).....		
11669	Resistor - 33,000 ohms - carbon type - 1 Watt (R5).....		
5029	Resistor - 56,000 ohms - carbon type - 1/4 Watt (R1).....		
3158	Resistor - 220,000 ohms - carbon type - 1/4 Watt (R4).....		
11172	Resistor - 470,000 ohms - carbon type - 1/4 Watt (R6, R10).....		
3033	Resistor - 1 Megohm - Carbon type - 1/4 Watt (R3).....		
11368	Resistor - 5.6 Megohms - Carbon type - 1/4 Watt (R7).....		
11126	Shield - Oscillator coil shield...		
3942	Shield - Second detector Radiotron shield.....		
11390	Shield - First intermediate frequency transformer shield.....		
4340	Lamp - Dial lamp.....		
			REPRODUCER ASSEMBLIES
		11672	Coil - Field coil, magnet and cone support assembly (L10).....
		9588	Cone - Reproducer cone (L9).....
		5119	Connector - Three contact female connector for reproducer cable.....
		5118	Connector - Three contact male connector for reproducer.....
		9630	Reproducer - complete.....
		4893	Transformer - Output transformer (T2).....
		S-1586	Cable - reproducer Cable complete with connector.....

Models BT4-1, BT4-2, BC4-1 & BC4-2, Battery Receiver



ALIGNMENT PROCEDURE
R.F. Stage 1400 K.C.
Oscillator 600 K.C., 1400 K.C.
Intermediate Frequency 460 K.C.
Adjust all stages for max. peak

Figure 1—Schematic Circuit Diagram

REPLACEMENT PARTS FOR MODELS BT4-1 and BC4-1

Insist on genuine factory tested parts, which are readily identified and may be purchased from authorized dealers.

STOCK NO.	DESCRIPTION	STOCK NO.	DESCRIPTION
RECEIVER ASSEMBLIES			
23432	Resistor-47,000 ohms-Carbon type-1/4 watt(R2).	4351	Shield-1.P. radiotron socket-shield.
S-1536	Resistor-2.2 megohm-Carbon type-1/4 watt (R3,R6).	3056	Shield-2nd detector tube shield.
S-1537	Resistor-7,500 ohms-Carbon type-1/2 watt(R5).	6665	Shield-Oscillator coil shield and bracket.
S-1538	Resistor-180,000 ohms-Carbon type-1/4 watt (R7).	3584	Ring-Oscillator coil retaining ring.
5027	Resistor-150,000 ohms-Carbon type-1/4 watt (R8).	S-1429	Cap-Contact cap.
3078	Resistor-10,000 ohms-Carbon type-1/4 watt (R9).	4686	Terminal Strip-Engraved "Ant.-Gnd."
S-1520	Resistor-.62 ohms-flexible type (R10).	TABLE MODEL REPRODUCER ASSEMBLIES	
S-1521	Volume Control.(R4).	S-1530	Cone-Reproducer Cone.
4354	Capacitor-1500 mmfd. (C2).	S-1531	Coil-Reproducer Coil.
6660	Condenser-2 gang variable tuning condensers (C3,C4,C8,C9).	S-1535	Reproducer assembly complete.
6604	Capacitor-0.5 mfd.	CONSOLE MODEL REPRODUCER ASSEMBLIES	
6648	Capacitor-0.25 mfd. (C6).	S-1532	Cone-Reproducer cone.
4000	Capacitor-adjustable trimmer capacitor-150-340 mmfd. (C7).	S-1531	Coil-Reproducer coil.
4353	Capacitor-100 mmfd. (C10).	S-1534	Reproducer assembly complete.
S-1533	Capacitor-Dry electrolytic 4 mfd.(C11).	MISCELLANEOUS ASSEMBLIES	
S-1522	Capacitor-300 mmfd. (C15).	4075	Knob-Tuning knob.
4791	Capacitor-0.1 mfd. (C16).	S-1525	Knob-"On and "Off" Knob.
3460	Capacitor-1200 mmfd.(C17).	4449	Knob-Volume control knob.
4868	Capacitor-0.005 mfd.(C18).	S-1526	Switch-Operating switch. (S1,S2).
6993	Transformer-First intermediate frequency transformer (L5,L6,C12,C13).	3224	Switch-Long and short antenna. (S3).
S-1523	Transformer-Second intermediate frequency transformer (L7,L8).	2737	Escutcheon-Operating switch escutcheon.
6488	Transformer-Interstage transformer.	S-1527	Dial-Station selector dial.
6992	Coil-antenna coil. (L1,L2,C1,R1).	S-1529	Cable assembly-For Table Model.
6664	Coil-Oscillator coil (L3,L4).	3748	Fuse-0.5 ampere.
4343	Coil-Choke coil (L9).	4284	Spring-Fuse connector spring.
4232	Socket-6 contact tube socket for 1st detector and oscillator.	4285	Washer-Fuse connector insulating washer.
3859	Socket-4 contact tube socket for intermediate frequency and second detector.	4286	Ferrule-Fuse connector ferrule and bushing.
S-1524	Socket-5 contact tube socket for output.	4288	Cap-Fuse connector cap.
4104	Shield-First detector and oscillator tube shield.	4289	Body-Fuse connector body.
		4290	Insulator Fuse-Connector insulator.
		6516	Connector-Fuse connector complete.

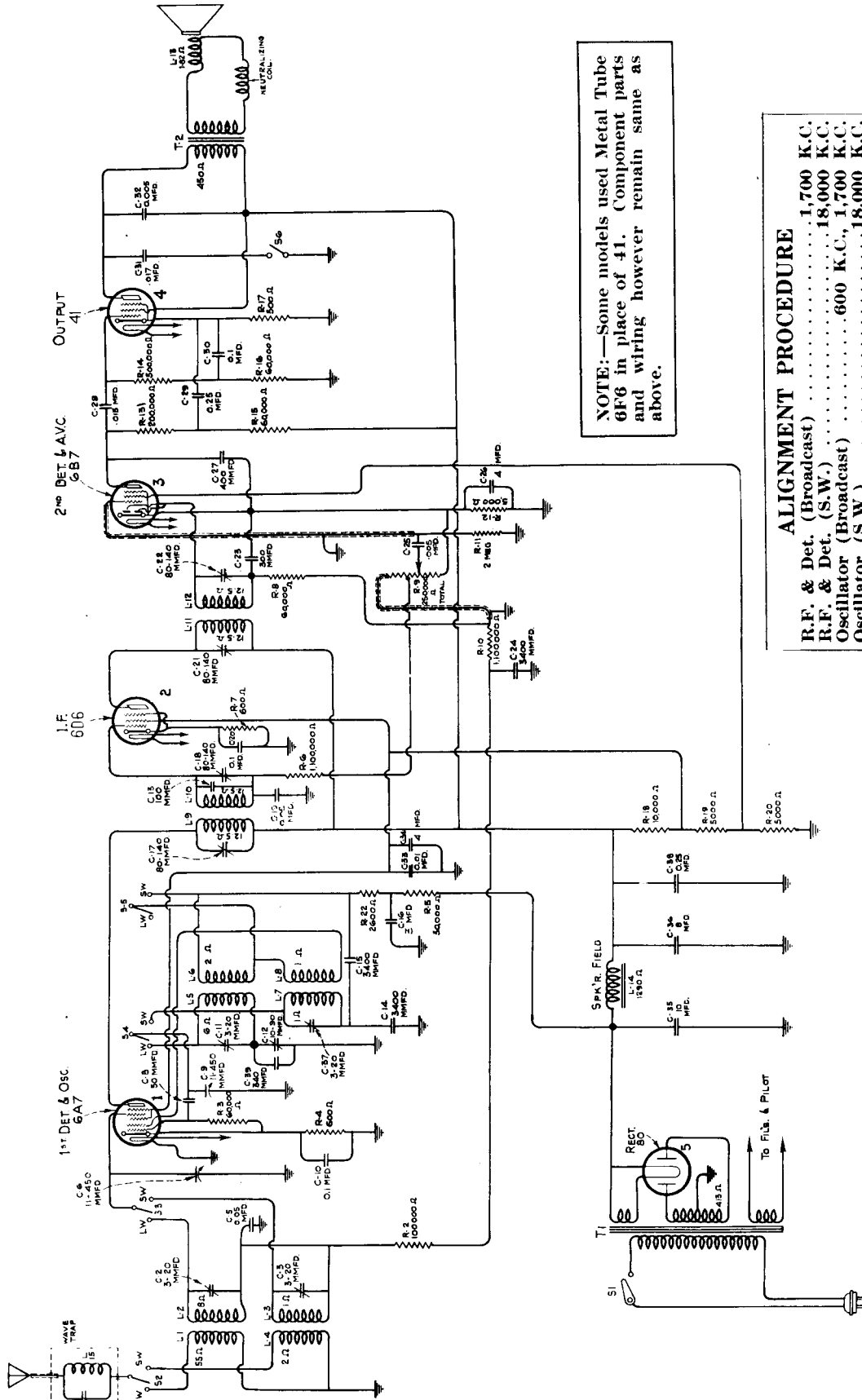
REPLACEMENT PARTS FOR MODELS BT4-2, BC4-2

(For all other parts Refer to Model BT4-1 above).

Insist on genuine factory tested parts, which are readily identified and may be purchased from authorized dealers.

STOCK NO.	DESCRIPTION	STOCK NO.	DESCRIPTION
S-1624	Volume Control (R4,R11).	S-1626	Indicator-Station Selector Indicator.
S-1623	Condenser-2 gang variable tuning condenser (C2,C3,C4,C8,C9).	S-1620	Cable Assembly for Table Model.
S-1574	Knob-Tuning and Volume Control knob.	S-1621	Cable Assembly for Console Model.
S-1622	Knob-"on" and "off" knob.	S-1628	Plug-B Battery Plug.
S-1625	Dial-Station selector dial.		

Models T5-2, C5-2 & C5-3 A.C. Receivers



NOTE:—Some models used Metal Tube 6F6 in place of 41. Component parts and wiring however remain same as above.

ALIGNMENT PROCEDURE

R.F. & Det. (Broadcast)	1,700 K.C.
R.F. & Det. (S.W.)	18,000 K.C.
Oscillator (Broadcast)	1,700 K.C.
Oscillator (S.W.)	18,000 K.C.
Intermediate Frequency	460 K.C.

Align all R.F. stages for maximum peak.
Align I.F. stages by means of oscillograph.

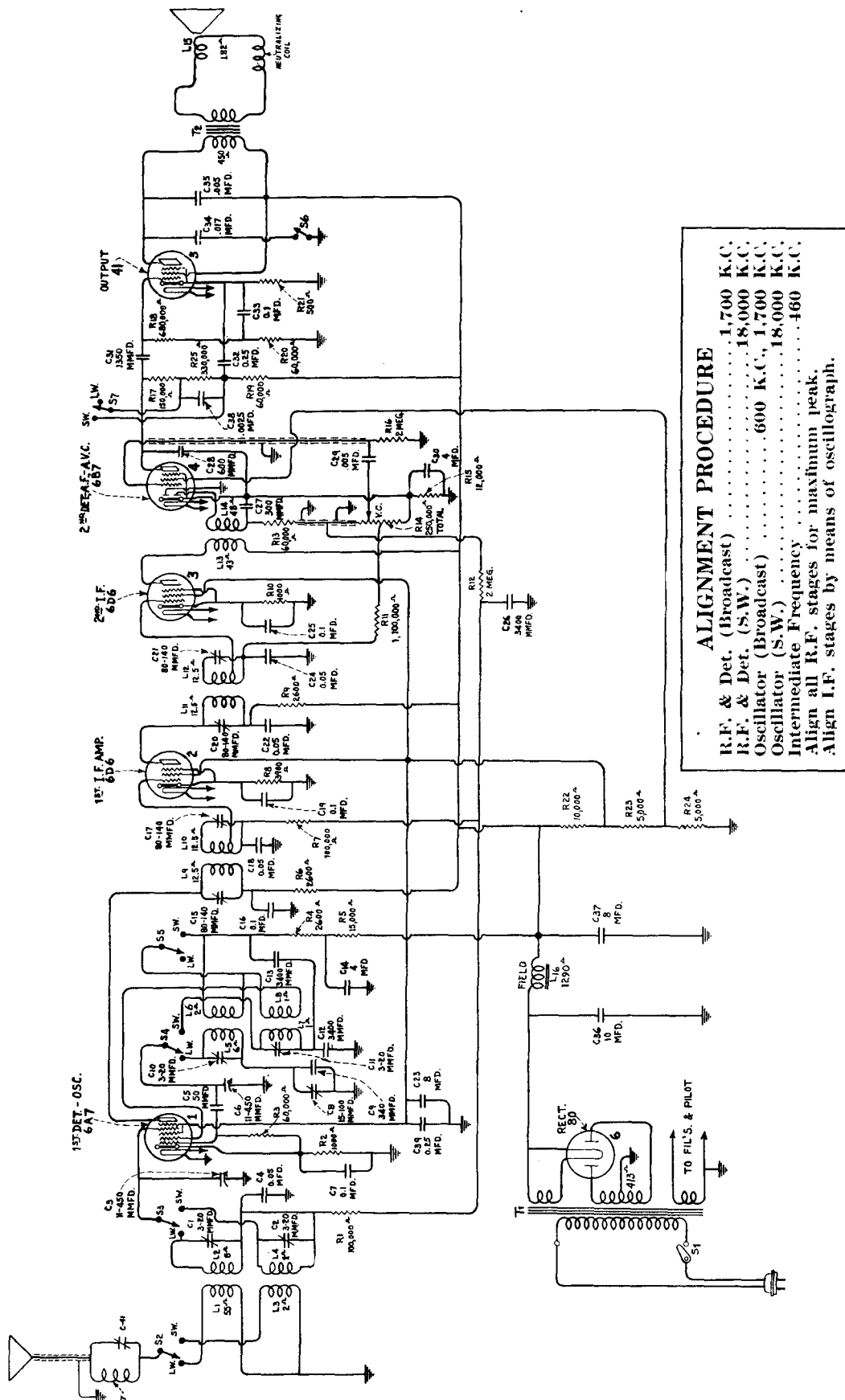
Models T5-2, C5-2 & C5-3

REPLACEMENT PARTS

Insist on genuine factory tested parts, which are readily identified and may be purchased from authorized dealers

STOCK NO.	DESCRIPTION	STOCK NO.	DESCRIPTION
RECEIVER ASSEMBLIES			
S-1067	Resistor - 500,000 ohms - Carbon Type - 1/4 Watt (R-14)	4438	Shield - 2nd Det. Radiotron Shield
2240	Resistor - 30,000 ohms - Carbon Type - 1 Watt (R-5)	3942	Shield - 1st Det. & Osc. Radiotron Shield
3116	Resistor - 200,000 ohms - Carbon Type - 1/4 Watt (R-13)	7800	Shield - Ant. Osc. or IF Trans. Coil Shield
3118	Resistor - 100,000 ohms - Carbon Type - 1/4 Watt (R-2)	5052	Switch - Tone Control (S-6)
3218	Resistor - 600 ohms - Carbon Type - 1/4 Watt (R-4, R-7)	S-1561	Switch Assembly (S.W.-B.C.) (S-2,S-3,S-4,S-5)
3602	Resistor - 60,000 ohms - Carbon Type - 1/4 Watt (R-3,R-15,R-16)	9511	Transformer - Pwr. 105-125 Volt, 50-60 Cyc. (T-1)
4721	Resistor - Tapped one 10,000 ohms, two 5,000, one 500 Section (R-17,R-18,R-19,R-20)	9512	Transformer - Pwr. 105-125 Volt, 25-40 Cyc. (T-1)
4790	Volume Control (R-9)	4422	Clutch - Drive Assy.
4783	Resistor - 1,100,000 ohm - Carbon Type - 1/4 Watt (P-10)	REPRODUCER (Console)	
6242	Resistor - 2 Meg. Carbon Type - 1/4 Watt (R-11)	S-1563	Reproducer Complete.
4436	Resistor - 5,000 ohms Carbon Type - 1/4 Watt (R-12)	11253	Transformer - Output transformer (T-2)
4812	Resistor - 26,000 ohms Carbon Type - 1/4 Watt (R-22)	11258	Cone
S-1360	Capacitor - Adjustable Trimmer Capacitor (C-12)	5085	Cable - 3 Conductor reproducer cable-complete - with female connectors
S-1547	Capacitor - 400 mmfd. (C-27)	5118	Connector - 3 contact male connector for reproducer cable
3597	Capacitor - .25 mfd. (C-29,C-38)	5119	Connector - 3 contact female connector for reproducer cable.
3796	Capacitor - 4 mfd. ELECTROLYTIC (C-26)	S-1564	Field Coil and Cone Support
4442	Capacitor - 50 mmfd. (C-8)	REPRODUCER (Table)	
4428	Capacitor - 8 mfd. (C-36)	S-1565	Reproducer Complete.
4439	Capacitor - 3,400 mmfd. (C-15)	S-1473	Transformer - Output transformer (T-2)
4791	Capacitor - 0.1 mfd. (C-10,C-20,C-30)	11235	Cone
4792	Capacitor - 0.015 mfd. (C-28)	S-1566	Field Coil and Cone Support
4793	Capacitor - 0.005 mfd. (C-32)	5085	Cable - 3 conductor reproducer cable complete with female connector.
4868	Capacitor - 0.005 mfd. (C-25)	5119	Connector - 3 contact female connector for reproducer cable
4883	Capacitor - .01 mfd. (C-33)	5118	Connector - 3 contact male connector for reproducer cable
4836	Capacitor - .05 mfd. (C-19,C-5)	MISCELLANEOUS PARTS	
4811	Capacitor - 340 mmfd. (C-39)	S-1559	Knob - Band Switch Knob.
4881	Capacitor - 3,400 mmfd. (C-15,C-14)	4256	Lamp - Pilot Lamp-
7790	Capacitor - 10 mfd. ELECTROLYTIC (C-35)	3529	Socket - Pilot Lamp socket.
5101	Capacitor - Dry ELECTROLYTIC one 8 mfd. & two 4 mfd. (C-16,C-34,C-36)	S-1551	Dial - Station selector dial Table model.
4504	Variable Capacitor - 2 Gang Tuning (C-6,C-9)	S-1552	Dial - Station selector dial Console model.
4906	Capacitor - 0.017 mfd. (C-31)	6614	Glass - Station selector dial glass Console model.
4430	Coil - Antenna Coil (L-1,L-2,L-3,L-4,C-2,C-3)	6707	Glass - Station selector dial glass Table model.
4432	Coil - Oscillator Coil (L-5,L-6,L-7,L-8,C-11,C-37)	4449	Knob -
S-1562	Transformer - First I.F. Transformer (L-9,L-10,C-17,C-18)	4613	Screw - 8-32 7/16" Headless set screw for knob -
4433	Transformer - Second I.F. Transformer (L-11,L-12,R-8,C-21,C-22 and C-23)	S-1554	Bezel - Station selector dial bezel (Console)
S-1560	Wave Trap (L-15,C-40)	S-1553	Bezel - Station selector dial bezel (Table)
6300	Tube Socket - 4 contact.	4476	Indicator Assy. Dial Pointer (Table)
3572	Tube Socket - 7 contact.	4363	Indicator Assy. Dial Pointer (Console)
11198	Tube Socket - For Metal tubes.	6672	Screen - Translucent screen for dial lamps
S-1151	Tube Socket - 4 Contact (Glass tube)	6708	Retaining ring (Table)
11416	Shield - 6K7G Tube Shield less cap.	6615	Retaining ring (Console)
11425	Cap - 6K7G Tube Shield cap		

Models T6-1, C6-1 & C6-2 A.C. Receivers



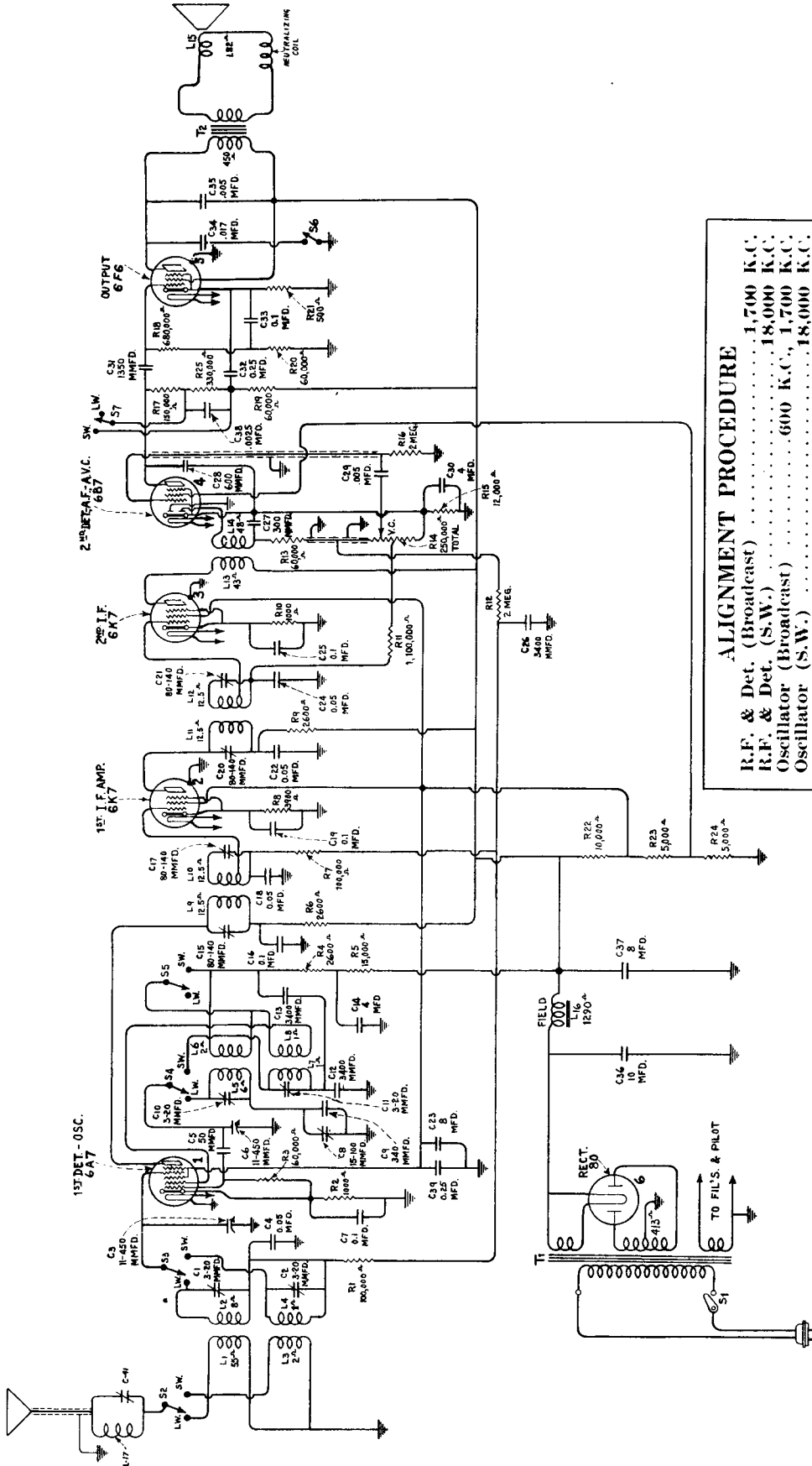
ALIGNMENT PROCEDURE

R.F. & Det. (Broadcast)	1,700 K.C.
R.F. & Det. (S.W.)	18,000 K.C.
Oscillator (Broadcast)	600 K.C., 1,700 K.C.
Oscillator (S.W.)	18,000 K.C.
Intermediate Frequency	460 K.C.

Align all R.F. stages for maximum peak.
Align I.F. stages by means of oscillograph.

Schematic Circuit Diagram of receiver using Glass Tubes.

Models T6-1 C6-1 & C6-2



ALIGNMENT PROCEDURE

R.F. & Det. (Broadcast) 1,700 K.C.
R.F. & Det. (S.W.) 18,000 K.C.
Oscillator (Broadcast) 600 K.C., 1,700 K.C.
Oscillator (S.W.) 18,000 K.C.
Intermediate Frequency 460 K.C.

Align all R.F. stages for maximum peak.
Align I.F. stages by means of oscillograph.

Schematic Circuit Diagram of receiver using Metal Tubes.

Models T6-1 C6-1 & C6-2

REPLACEMENT PARTS

Insist on genuine factory tested parts, which are readily identified and may be purchased from authorized dealers

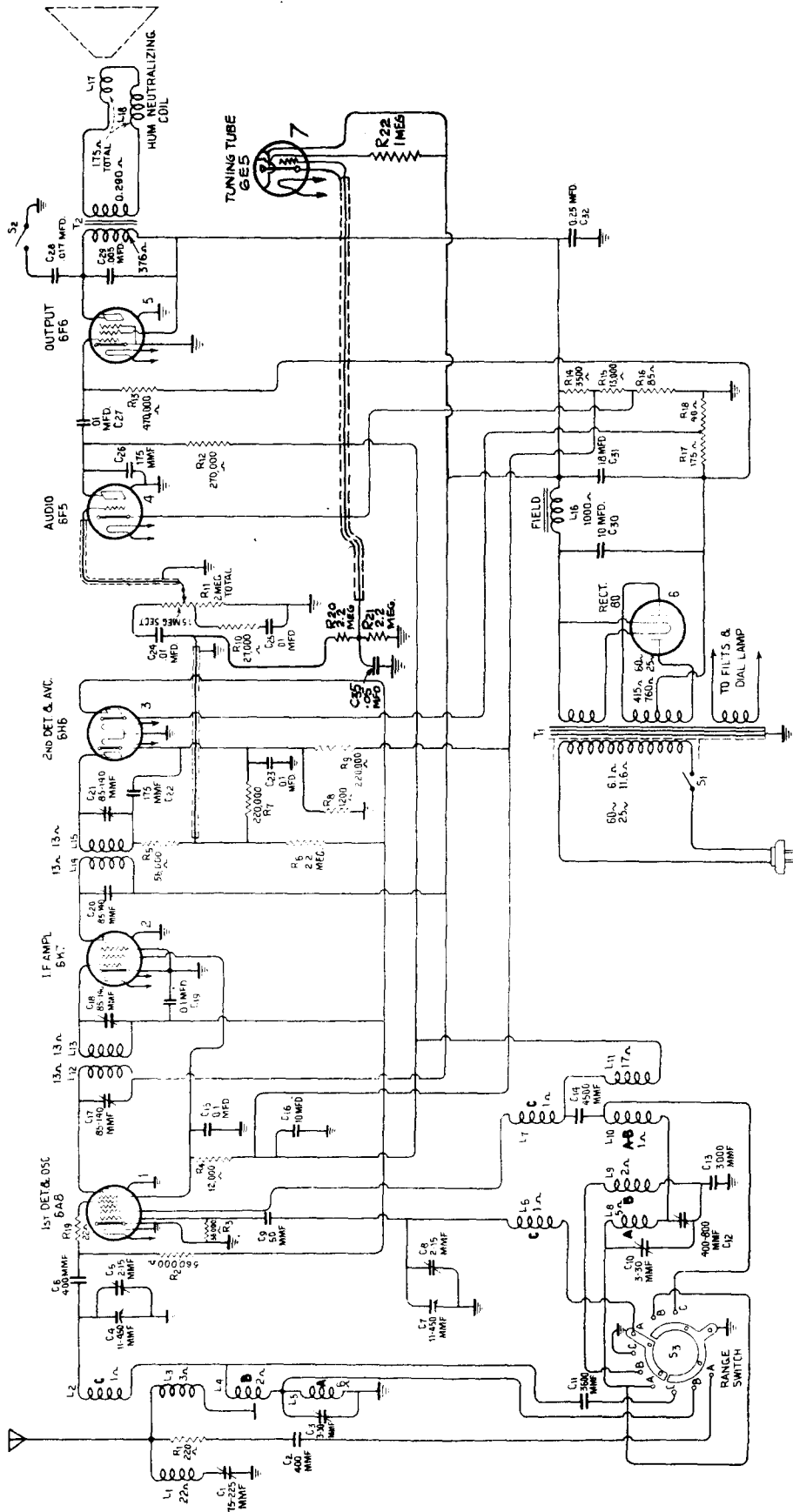
STOCK NO.	DESCRIPTION	STOCK NO.	DESCRIPTION
RECEIVER ASSEMBLIES			
4427	Bracket - Volume control mounting bracket.	11425	Cap - 6K7G tube shield cap. . .
4858	Bracket - Electrolytic capacitor bracket for Capacitor No. 7790 .	4784	Socket - 4-contact Radiotron socket.
7-1360	Capacitor - Adjustable trimmer capacitor (C-8).	4785	Socket - 6-contact Radiotron socket.
4442	Capacitor - 50 mmfd. (C-5).	4786	Socket - 6-contact Radiotron socket.
3981	Capacitor - 300 mmfd. (C-27).	4787	Socket - 7-contact Radiotron socket.
4811	Capacitor - 340 mmfd. (C-9).	11198	Socket - Metal tubes
11317	Capacitor - 690 mmfd. (C-28).	4379	Strip - Terminal strip - Engraved "ANT-GND".
5115	Capacitor - 1350 mmfd. (C-31).	5100	Switch - Range Switch (S-2,S-3, S-4,S-5,S-7).
4439	Capacitor - 3400 mmfd. (C-12).	5052	Switch - Tone control switch (S-6).
4881	Capacitor - 3400 mmfd. (C-13,C-26)	9512	Transformer - Power transformer - 105-125 Volts - 25-40 Cycles
5107	Capacitor - 0.0025 mfd. (C-38).	9511	Transformer - Power transformer - 105-125 Volts - 50-60 Cycles (T-1).
4793	Capacitor - 0.005 mfd. (C-29).	5102	Transformer - First intermediate frequency transformer (L-9, L-10,C-15,C-17).
4868	Capacitor - 0.005 mfd. (C-35).	5103	Transformer - Second intermediate frequency transformer (L-11, L-12,C-20,C-21).
4906	Capacitor - 0.017 mfd. (C-34).	5105	Transformer - Third intermediate frequency transformer (L-13, L-14,R-13).
5170	Capacitor - 0.25 mfd. (C-39).	4790	Volume Control. (R-14,S-1)
4836	Capacitor - 0.04 mfd. (C-4,C-18, C-24).	3-1560	Wave Trap Assembly.
4886	Capacitor - 0.05 mfd. (C-22).	CONDENSER DRIVE ASSEMBLIES	
4841	Capacitor - 0.1 mfd. (C-7,C-19, C-25,C-33).	3-1551	Dial - Station selector dial - Table Model.
4885	Capacitor - 0.1 mfd. (C-16).	3-1552	Dial - Station selector dial - Console Model.
3597	Capacitor - 0.25 mfd. (C-32).	4422	Drive - Clutch Drive Assembly
3796	Capacitor - 4.0 mfd. (C-30).	4475	Indicator - Station selector (pointer) indicator - Table Model.
7790	Capacitor - 10.0 mfd. (C-36).	4353	Indicator - Station selector (pointer) indicator - Console Model.
5105	Capacitor Pack - Comprising two 8 mfd. and one 4 mfd. Sections (C-14,C-23,C-37).	4256	Lamp - Dial Lamp -
5087	Coil - Antenna Coil (L-1,L-2,L-3, L-4,C-1,C-2).	6672	Screen - Translucent screen for dial light -
5089	Coil - Oscillator coil (L-5,L-6, L-7,L-8,C-10,C-11).	3529	Socket - Dial lamp socket
4504	Condenser - 2-gang tuning condenser (C-3,C-6).	REPRODUCER ASSEMBLIES	
5112	Resistor - 1000 ohms - Carbon type - 1/4 Watt (R-2,R-10)	TABLE MODEL	
4812	Resistor - 2600 ohms - Carbon type - 1/4 Watt (R-4,R-6,R-9)	5085	Cable - 3-conductor Reproducer cable complete with female connector.
5113	Resistor - 3900 ohms - Carbon type - 1/4 Watt (R-8).	1587	Coil - Field coil, magnet and cone support (L-16).
5109	Resistor - 12,000 ohms - Carbon type - 1/4 Watt (R-15)	11235	Cone - reproducer cone (L-15)
5114	Resistor - 15,000 ohms - Carbon type - 1 Watt (R-5).	5118	Plug - 3-contact plug - Male section for reproducer cable
2563	Resistor - 60,000 ohms - Carbon type - 1 Watt.	5119	Plug - 3-contact plug - Female section for reproducer cable.. . . .
3502	Resistor - 60,000 ohms - Carbon type - 1/4 Watt (R-3,R-19,R-20).	1-1567	Reproducer - Complete.
3118	Resistor - 100,000 ohms - Carbon type - 1/4 Watt (R-1,R-7).	11253	Transformer - Output transformer (T-2).
5027	Resistor - 150,000 ohms - Carbon type - 1/4 Watt (R-17).	REPRODUCER ASSEMBLIES	
5108	Resistor - 330,000 ohms - Carbon type - 1/4 Watt (R-25)	CONSOLE MODEL	
5110	Resistor - 680,000 ohms - Carbon type - 1/4 Watt (R-18)	5095	Cable - 3-conductor reproducer cable complete with female connector.
4783	Resistor - 1,100,000 ohms - Carbon type - 1/4 Watt (R-11)		
6242	Resistor - 2 megohms - Carbon type - 1/4 Watt (R-12,R-16).		
4721	Resistor - Tapped - One 500, one 10,000 and two 5000 ohms sections (R-21,R-22,R-23,R-24).		
7800	Shield - Antenna, I.F. or oscillator coil shield.		
3942	Shield - First detector and output radiotrons shield.		
3782	Shield - Second detector Radiotron shield.		
7487	Shield - I.F. Radiotrons shield		
11416	Shield - 6K7G tube shield less cap.		

REPLACEMENT PARTS (Continued)

Insist on genuine factory tested parts, which are readily identified and may be purchased from authorized dealers

STOCK NO.	DESCRIPTION	STOCK NO.	DESCRIPTION
S-1564	Coil - Field coil, magnet and cone support (L-16)	S-1554	Bezel - Station selector dial escutcheon bezel - Console Model
11258	Cone - Reproducer cone. (L-15) . .	6707	Glass Station selector dial glass - Table Model
5118	Plug - 3-contact plug - Male section for reproducer cable.	6614	Glass - Station selector dial glass - Console Model
5119	Plug - 3-contact plug - Female section for reproducer cable.	4449	Knob - Station selector, volume control, or tone control knob -
S-1563	Reproducer - Complete.	6708	Ring - Spring retaining ring for dial glass - Table Model -
11253	Transformer - Output transformer (T-2).	6615	Ring - Spring retaining ring for dial glass - Console Model -
	MISCELLANEOUS ASSEMBLIES	S-1559	Knob - Band Switch knobs. . . .
S-1553	Bezel - Station selector dial escutcheon bezel - Table model. . .		

Models T6-2, C6-3 and C6-4 A.C. Receivers



On some instruments, R-8, R-9 and C-2.3 are omitted and the Type-6H6 first Cathode is directly grounded.

ALIGNMENT PROCEDURE

R.F. & Det. (Broadcast)	1,700 K.C.
R.F. & Det. (S.W.)	18,000 K.C.
Oscillator (Broadcast)	600 K.C.
Oscillator (S.W.)	18,000 K.C.
Intermediate Frequency	460 K.C.

Align all R.F. stages for maximum peak.
Align I.F. stages by means of oscillograph.

REPLACEMENT PARTS — MODELS T6-2, C6-3 & C6-4

Insist on genuine factory tested parts, which are readily identified and may be purchased from authorized dealers.

STOCK NO.	DESCRIPTION	STOCK NO.	DESCRIPTION
RECEIVER ASSEMBLIES			
5237	Bushing-Variable tuning condenser mounting bushing.	11610	Knob-Station selector knob assembly comprising one small & one large knob.
11465	Capacitor-Adjustable capacitor (C12).	S-1574	Knob-Volume control or tune control knob.
11289	Capacitor-50 Mmfd.(C9).	11616	Switch-Range switch (S3).
11623	Capacitor-175 Mmfd.(C26).	11460	Switch-Tone control and power switch (S1,S2).
11290	Capacitor-400 Mmfd.(C2,C6).	5238	Terminal-Antenna terminal board with clip.
11622	Capacitor-3000 Mmfd.(C13).	11388	Transformer-First intermediate frequency transformer (L12,L13,C17,C18).
11621	Capacitor-3600 Mmfd.(C11).	11389	Transformer-Second intermediate frequency transformer (L14,L5,C20,C21,C22,R5,R7).
11287	Capacitor-4500 Mmfd.(C14).	11458	Transformer-Power transformer-105-125 volts-50-60 cycles (T1).
4868	Capacitor-.005 Mfd. (C29).	11585	Transformer-Power transformer-102-125 volts-25-50 Cycles.
11395	Capacitor-.01 Mfd. (C24).	11391	Trap-Wave trap (L1,C1).
4858	Capacitor-.01 Mfd. (C25,C27).	11237	Volume Control (R11).
4906	Capacitor-.017 Mfd. (C28).	REPRODUCER ASSEMBLIES	
4841	Capacitor-0.1 Mfd. (C19,C23).	Console Models.	
11414	Capacitor-0.1 Mfd. (C15).	11232	Board-Terminal/Board assembly.
5170	Capacitor-0.25 Mfd. (C32).	11231	Bolt-Yoke and core assembly bolt and nut.
11387	Capacitor-10 Mfd. (C16).	8060	Bracket-Output transformer mounting bracket.
11240	Capacitor-10 Mfd. (C30).	11257	Clamp-Cone center suspension clamping nut and screw assembly.
5212	Capacitor-18 Mfd. (C31).	11470	Coil-Field coil (L16).
11617	Coil-Antenna coil (L2,L3,L4,L5,C3,R1).	11469	Coil-Neutralizing coil (L18).
11618	Coil-Oscillator Coil (L6,L7,L8,L9,L10,L11,C10).	11258	Cone-Reproducer cone (L17).
11612	Condenser-Two-gang variable tuning condenser (C4,C5,C7,C8).	5118	Connector-Three contact male connector for reproducer.
11615	Dial-Station selector dial.	5119	Connector-Three contact female connector for reproducer cable.
11376	Escutcheon-Station selector escutcheon and crystal.	9622	Reproducer-Complete.
11619	Foot-Chassis mounting foot and bracket assembly.	11253	Transformer-Output transformer (T2).
11396	Indicator-Station selector indicator pointer.	REPRODUCER ASSEMBLIES	
5226	Lamp-Dial lamp.	Table Models.	
11466	Resistor-Voltage divider resistor-comprising one 3500 ohm,one 13000 ohm,one 85 ohm,one 40 ohm,and one 175 ohm sections (R14,R15,R16,R17,R18).	11232	Board-Terminal board assembly.
11624	Resistor-22 ohms-Flexible type-complete with contact cap (R19).	11231	Bolt-Yoke and core assembly bolt and nut.
11620	Resistor-220 ohms-Carbon type-1/10 watt(R1).	8060	Bracket-Output transformer mounting bracket.
11283	Resistor-1200 ohms-Carbon type-1/4 watt(R8).	11257	Clamp-Cone center suspension clamping nut and screw assembly.
3066	Resistor-12,000 ohms-Carbon type-1 watt(R4*).	11470	Coil-Field coil (L16).
11400	Resistor-27,000 ohms-Carbon type-1/4 watt (R10).	11469	Coil-Neutralizing coil (L18).
5029	Resistor-56,000 ohms-Carbon type-1/4 watt (R3*).	11235	Cone-Reproducer Cone (L17).
5158	Resistor-220,000 ohms-Carbon type-1/2 watt(R9).	5118	Connector-Three contact male connector for reproducer.
11453	Resistor-270,000 ohms-Carbon type-1/10 watt (R12).	5119	Connector-Three contact female connector for reproducer cable.
11452	Resistor-470,000 ohms-Carbon type-1/10 watt (R13).	9621	Reproducer-Complete.
11397	Resistor-560,000 ohms-Carbon type-1/10 watt (R2).	11253	Transformer-Output transformer (T2).
11626	Resistor-2.2 Megohms-Carbon type-1/2 watt(R6).	11230	Washer-Binders Board "C" washer - used to hold field coil assembly.
11603	Shield-Antenna or Oscillator coil shield.		
11390	Shield-Intermediate frequency transformer shield.		
11383	Shield-Rectifier Radiotron shield.		
11199	Socket-Dial lamp socket.		
4794	Socket-4 contact rectifier radiotron socket.		
11198	Socket-7 contact radiotron socket.		
11196	Socket-8 contact radiotron socket.		
S-1573	Knob-Range switch knob.		

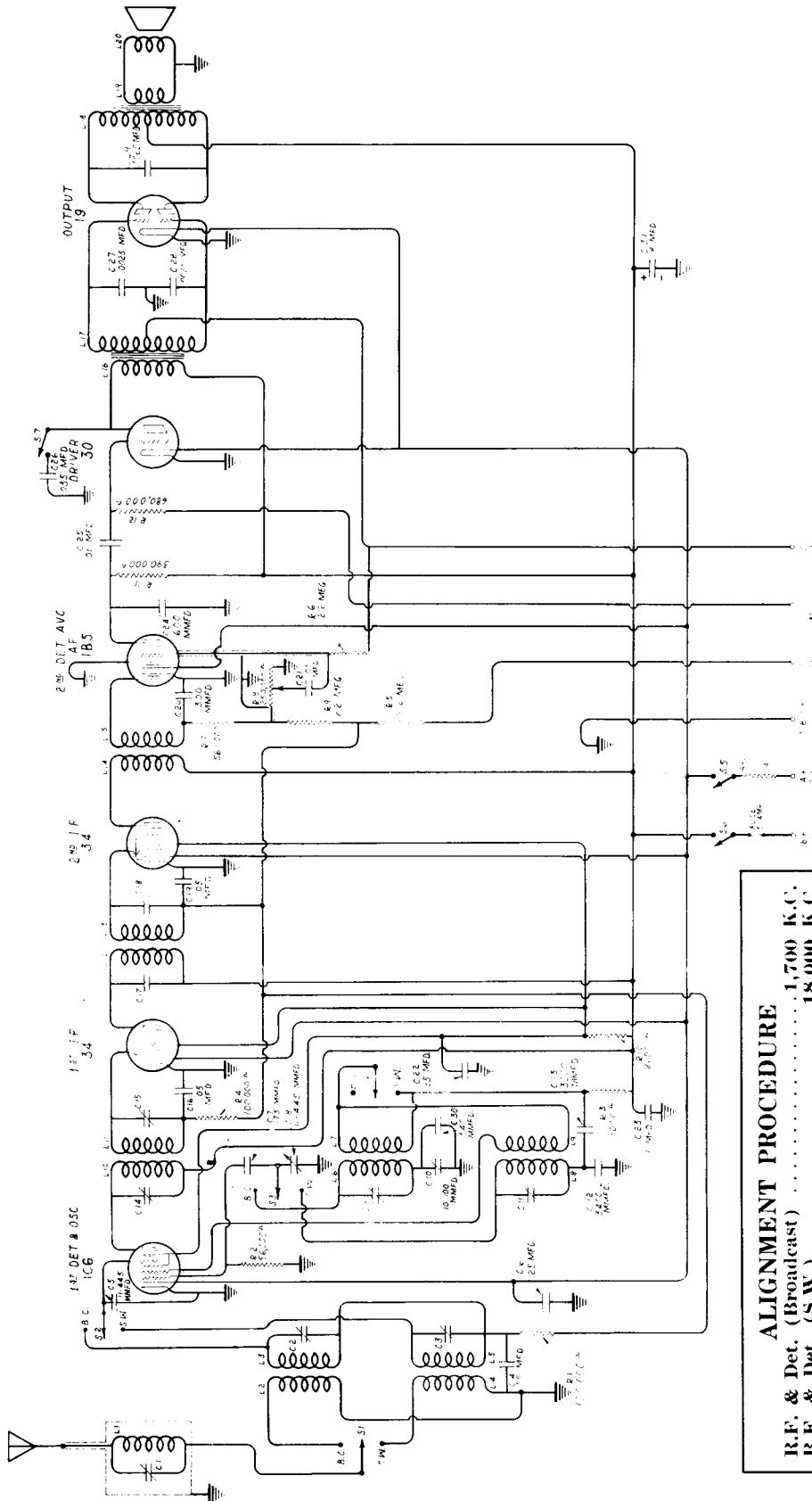
*Used on some models:-3118-Resistor 100,000 ohms-Carbon type $\frac{1}{2}$ watt (R3).
8072-Resistor 33,000 ohms-Carbon type $\frac{1}{8}$ watt (R4).

REPLACEMENT PARTS — PECULIAR TO MODEL C6-4

Insist on genuine factory tested parts, which are readily identified and may be purchased from authorized dealers.

STOCK NO.	DESCRIPTION	STOCK NO.	DESCRIPTION
11382	Resistor-1 Megohm-Carbon Type-1/10 watt(R22).	S-1603	Cable-Tuning lamp cable-Complete with socket.
11151	Resistor-2.2 Megohms-Carbon Type-1/4 watt (R20,R21).	11192	Clamp-Tuning Lamp Mounting Clamp-Less bracket 11191.
4836	Capacitor-0.05 Mfd.(C35).	11276	Escutcheon-Tuning Lamp Escutcheon.
11191	Bracket-Tuning Lamp Mounting Bracket less clamp 11192.	11381	Socket-Tuning Lamp Socket and Cover.

Models BT6-1, & BC6-1 Battery Receivers



ALIGNMENT PROCEDURE

R.F. & Det. (Broadcast) 1,700 K.C.
 R.F. & Det. (S.W.) 18,000 K.C.
 Oscillator (Broadcast) 600 K.C., 1,700 K.C.
 Oscillator (S.W.) 18,000 K.C.
 Intermediate Frequency 460 K.C.
 Align all R.F. stages for maximum peak.
 Align I.F. stages by means of oscillograph.

REPLACEMENT PARTS FOR MODELS BT6-1 and BC6-1

Insist on genuine factory tested parts, which are readily identified and may be purchased from authorized dealers.

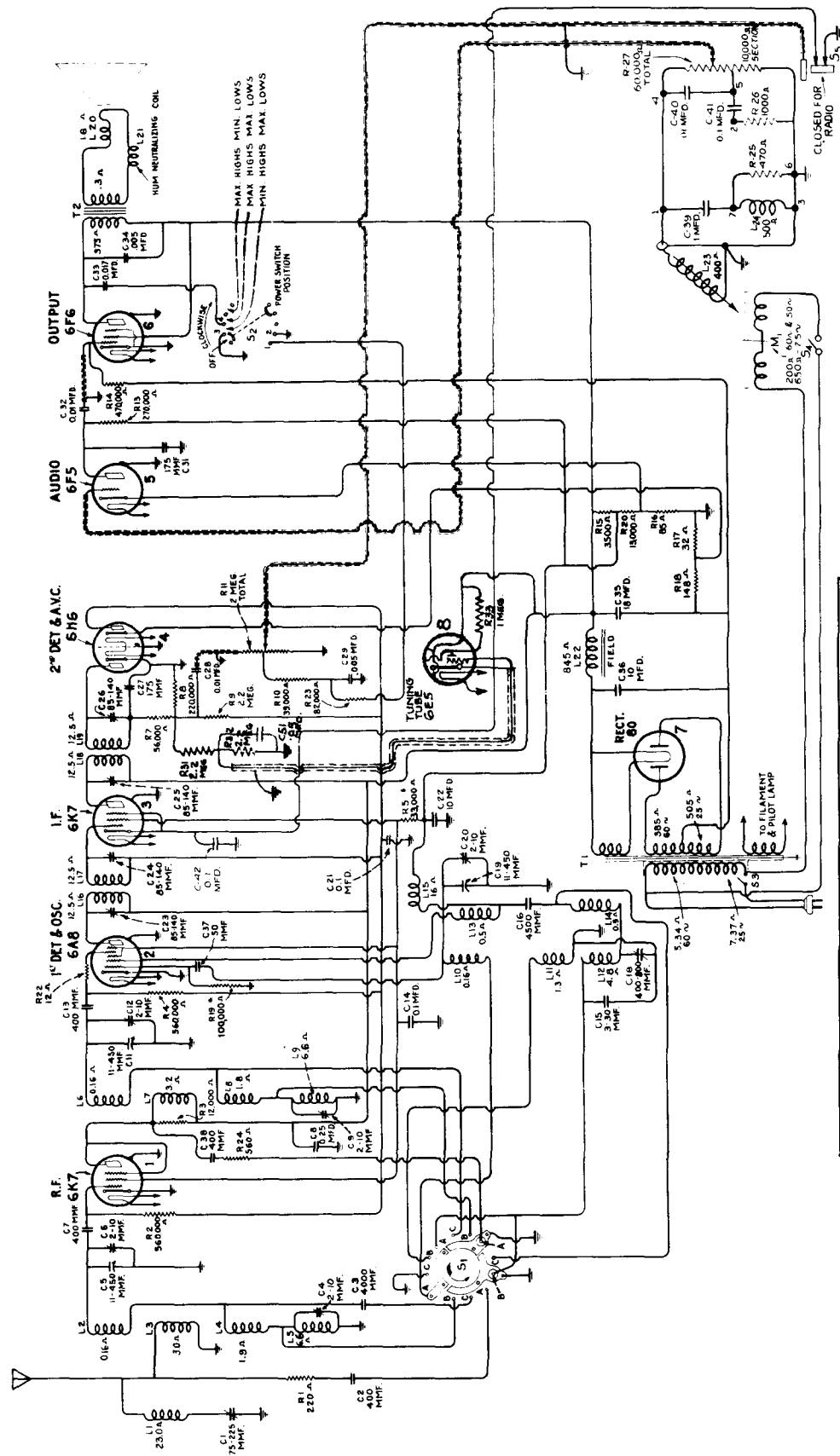
STOCK NO.	DESCRIPTION	STOCK NO.	DESCRIPTION
RECEIVER ASSEMBLIES		S-1579	Transformer-Third intermediate frequency transformer (L14,L15).
4427	Bracket-Volume control and tone control mounting bracket.	DRIVE ASSEMBLIES	
4244	Cap-Grid contact cap.	4363	Pointer-Station selector pointer (Console Model).
S-1380	Capacitor-Adjustable capacitor (C10).	4475	Pointer-Station selector pointer (Table Model).
11623	Capacitor-175 mmfd. (C7).	S-1597	Dial-Station selector dial (Console Model).
S-1590	Capacitor-300 mmfd. (C20).	S-1598	Dial-Station selector dial (Table Model).
4811	Capacitor-340 mmfd. (C30).	4422	Clutch-Condenser drive clutch assembly complete.
S-1591	Capacitor-600 mmfd. (C24).	4434	Drive-Variable tuning condenser drive assembly complete.
S-1589	Capacitor-3000 mmfd. (C13).	REPRODUCER ASSEMBLIES	
4439	Capacitor-3400 mmfd. (C12).	Table Model.	
5107	Capacitor-.0025 mfd. (C27,C28,C29).	9539	Cone-Reproducer cone (L-20).
4853	Capacitor-.01 mfd. (C25).	9540	Magnet Assembly Comprising cone bracket, core and magnet.
5196	Capacitor-.035 mfd. (C26).	9538	Reproducer complete.
4513	Capacitor-.05 mfd. (C21).	REPRODUCER ASSEMBLIES	
4836	Capacitor-.05 mfd. (C19,C16,C4).	Console Model.	
4791	Capacitor-.10 mfd. (C23).	S-1446	Cone-Reproducer cone (L20).
S-1592	Capacitor-.25 mfd. (C6,C22).	7820	Magnet assembly-Comprising cone bracket, core magnet and terminal board.
S-1582	Capacitor-8 mfd. (C31).	7819	Reproducer complete.
5087	Coil-Antenna coil (L2,L3,L4,L5,C2,C3).	MISCELLANEOUS ASSEMBLIES	
5089	Coil-Oscillator (L6,L7,L8,L9,C9,C11).	11337	Bezel-Station selector bezel (Console Model).
4504	Condenser-two-gang variable tuning condenser (C5,C8).	S-1553	Bezel-Station selector bezel (Table Model).
S-1560	Coil and shield assembly-Antenna trap circuit (L1,C1).	6614	Glass-Station selector dial glass (Console Model).
4519	Volume control (R8).	6707	Glass-Station selector dial glass (Table Model).
4730	Resistor-1000 ohms-Carbon type-1/4 watt (R3).	6615	Ring-Retaining ring for dial glass (Console Model).
5029	Resistor-56,000 ohms-Carbon type-1/4 watt (R2,R7).	6708	Ring-Retaining ring for dial glass (Table Model).
5145	Resistor-100,000 ohms-Carbon type-1/4 watt (R1,R4).	4449	Knob-Station selector and volume control knob.
S-1593	Resistor-390,000 ohms-Carbon type-1/4 watt (R11).	S-1559	Knob-Range switch knob.
S-1594	Resistor-680,000 ohms-Carbon type-1/4 watt (R12).	S-1596	Knob-"off" and "on" & tone control knob.
11626	Resistor-2.2 Megohms-Carbon type-1/4 watt (R5,R9,R6).	S-1580	Cable- Main battery cable complete with fuse, fuse connector and flexible resistor.
7800	Shield-Antenna, Oscillator and intermediate frequency coil shield.	6516	Connector-fuse connector.
S-1140	Shield-First detector, oscillator and second detector radiotron shield.	3748	Fuse-1/2 ampere.
3056	Shield-First and second intermediate frequency radiotron shield.	S-1595	Resistor-.40 ohms-Flexible type-Filament series resistor.
4755	Socket-Six contact radiotron socket.		
4794	Socket-Four contact radiotron socket.		
S-1561	Switch-Range switch (S1,S2,S3,S4).		
S-1581	Switch-Operating and tone control switch, (S5,S6,S7).		
S-1576	Transformer-Audio transformer pack comprising driver and output transformer (L16,L17,L18,L19).		
S-1577	Transformer-First intermediate frequency transformer (L10,L11,C14,C15).		
S-1578	Transformer-Second intermediate frequency transformer (L12,L13,C17,C18).		

REPLACEMENT PARTS FOR MODELS BT6-1, BC6-1 SUPPLEMENT

Insist on genuine factory tested parts, which are readily identified and may be purchased from authorized dealers.

STOCK NO.	DESCRIPTION	STOCK NO.	DESCRIPTION
S-1641	Capacitor-2650 mmfd. (C12).	S-1640	Dial-Station selector dial (Console).
4536	Tone Control-(R13).	S-1639	Dial-Station selector dial (Table).
S-1638	Resistor-10,000 ohm.-1/4 watt (R14).	S-1554	Bezel-Station selector bezel (Console).
11305	Resistor-22,000 ohm.-1/4 watt (R10).	3961	Knob-Tone Control Knob.
3858	Socket-Dial Lamp Socket & Bracket Set.	S-1643	Cable-Main Battery Cable-complete with fuse, connector-fuse holder and flexible resistor (Console).
4431	Transformer-First Intermediate frequency transformer (L10,L11,C14,C15).		
7840	Transformer-Second Intermediate frequency transformer (L12,L13,C17,C18).		

Model D7-7RCA Victrola



ALIGNMENT PROCEDURE

R.F. & Det. (A)1700 K.C.
R.F. & Det. (B)6,000 K.C.
R.F. & Det. (C)18,000 K.C.
Oscillator (A)600 K.C., 1,700 K.C.
Oscillator (B)6,000 K.C.
Oscillator (C)18,000 K.C.

Align all stages for maximum peak.

REPLACEMENT PARTS—MODEL D7-7

Insist on genuine factory tested parts, which are readily identified and may be purchased from authorized dealers.

STOCK NO.	DESCRIPTION	STOCK NO.	DESCRIPTION
RECEIVER ASSEMBLIES			
5237	Bushing - Variable tuning condenser mounting bushing assembly -	11397	Resistor - 560,000 Ohms- Carbon type - 1/10 Watt (R2,R4).....
11759	Cable-Two conductor shielded cable, complete with four-contact female connector.....	11151	Resistor - 2.2 megohms - Carbon type - 1/4 Watt (R9,R32,R31)...
11758	Cable-Three conductor shielded cable, complete with four-contact male connector and grid contact cap-connects phonograph volume control to chassis cable.....	11603	Shield - Antenna or detector coil shield.....
11350	Cap - Contact Cap -	11604	Shield - Shield - Oscillator coil shield.....
11465	Capacitor - Adjustable Capacitor... (C18).....	11383	Shield - Rectifier Radiotron shield.....
11289	Capacitor - 50 MMfd. (C37).....	11390	Shield - Intermediate frequency transformer shield.....
5116	Capacitor - 175 MMfd. (C31).....	11199	Socket - Dial lamp Socket.....
11290	Capacitor - 400 MMfd. (C2,C7,C13,C38).....	4794	Socket - 4-Contact rectifier Radiotron socket.....
11401	Capacitor - 4000 MMfd. (C3).....	11198	Socket - 7-contact 6K7,6F5 or 6H6 Radiotron socket.....
4368	Capacitor - .005 Mfd. (C29,C34).....	11196	Socket - 8-contact 6A8 or 6F6 Radiotron socket.....
4906	Capacitor - .017 Mfd. (C33).....	11386	Switch - Range Switch (S1).....
11395	Capacitor - .01 Mfd. (C28).....	11392	Switch - Tone control and power switch assembly (S2,S3).....
4886	Capacitor - .05 Mfd. (C51).....	11388	Transformer - First intermediate frequency transformer (L16, L17,C23,C24).....
11414	Capacitor -0.1 Mfd. (C42).....	11389	Transformer - Second intermediate frequency transformer (L18, L19,C25,C26,C27,R7,R8).....
4858	Capacitor - .01 Mfd. (C32).....	11384	Transformer - Power transformer - 105-125 volts, 50-60 cycles (T1).....
4791	Capacitor -0.1 Mfd. (C14).....	11725	Transformer - Power transformer - 105-125 volts, 25-50 cycles....
4841	Capacitor -0.1 Mfd. (C21).....	11391	Trap - Wave trap (L1,C1).....
5170	Capacitor -0.25 Mfd. (C8).....	11237	Volume Control (R11).....
11240	Capacitor - 10 Mfd. (C36).....	PICK-UP AND ARM ASSEMBLIES	
11387	Capacitor - 10 Mfd. (C22).....	11731	Armature - Pickup armature.....
5212	Capacitor - 18 Mfd. (C35).....	11730	Cable - Pickup cable.....
5238	Clip - Antenna terminal board with clip, insulating strip and rivets..	11732	Coil - Pickup coil (L23).....
11600	Coil - Antenna coil (L2,L3,L4,L5, C4,R1).....	4543	Damper - Pickup damper block complete with damper plate.....
11601	Coil - Detector coil (L6,L7,L8,L9, C9,R3).....	11728	Pickup and arm Assembly- Complete.....
11602	Coil - Oscillator coil (L10,L11,L12, L13,L14,L15,C15,C16).....	3811	Screw - Needle holding screw -
6123	Connector-Four contact male connector for cable, Stock No. 11758.....	MOTOR ASSEMBLIES	
4153	Connector-Four contact female connector for cable, Stock No. 11759.....	10194	Ball - Steel ball bearing-
11385	Condenser - Three gang variable tuning condenser (C5,C6,C11,C12,C19,C20).....	S-1613	Base- Motor base and bearing assembly.....
11673	Dial - Station selector dial.....	11745	Cap - Turntable spindle cap -
11394	Foot - Chassis foot assembly -	S-1614	Coil - Stator assembly-comprising coil and laminations- 105-125 volt, 60 cycle operation.....
11396	Indicator - Station selector indicator pointer.....	S-1615	Coil - Stator assembly-comprising coil and laminations- 105-125 volt, 25 cycle operation.....
5226	Lamp - Dial Lamp -	11748	Damper-Motor damper assembly-comprising one damper, one damper plate, one screw, two rubber washers and one "C" washer.....
11393	Resistor - Voltage divider resistor - comprising one 3,500 ohm and one 13,000 ohm sections - (R15,R20)	S-1629	Motor-105-125 volts-60 cycle motor complete (MI).....
11329	Resistor - Voltage divider resistor-comprising one 148 ohm, one 32 ohm and one 85 ohm sections (R16, R17,R18).....		
11369	Resistor - 12 ohms - flexible type complete with contact cap (R22)....		
11324	Resistor - 560 ohms - Carbon type - 1/4 watt (R24).....		
8072	Resistor - 33,000 Ohms - Carbon type - 1/2 Watt (R5).....		
11322	Resistor - 39,000 Ohms - Carbon type -1/4 Watt (R10).....		
3118	Resistor - 100,000 Ohms- Carbon type - 1/4 Watt (R19).....		
11365	Resistor - 82,000 Ohms - Carbon type - 1/4 Watt (R23).....		
11323	Resistor - 270,000 Ohms- Carbon type - 1/4 Watt (R13).....		
11172	Resistor - 470,000 Ohms- Carbon type - 1/4 Watt (R14).....		

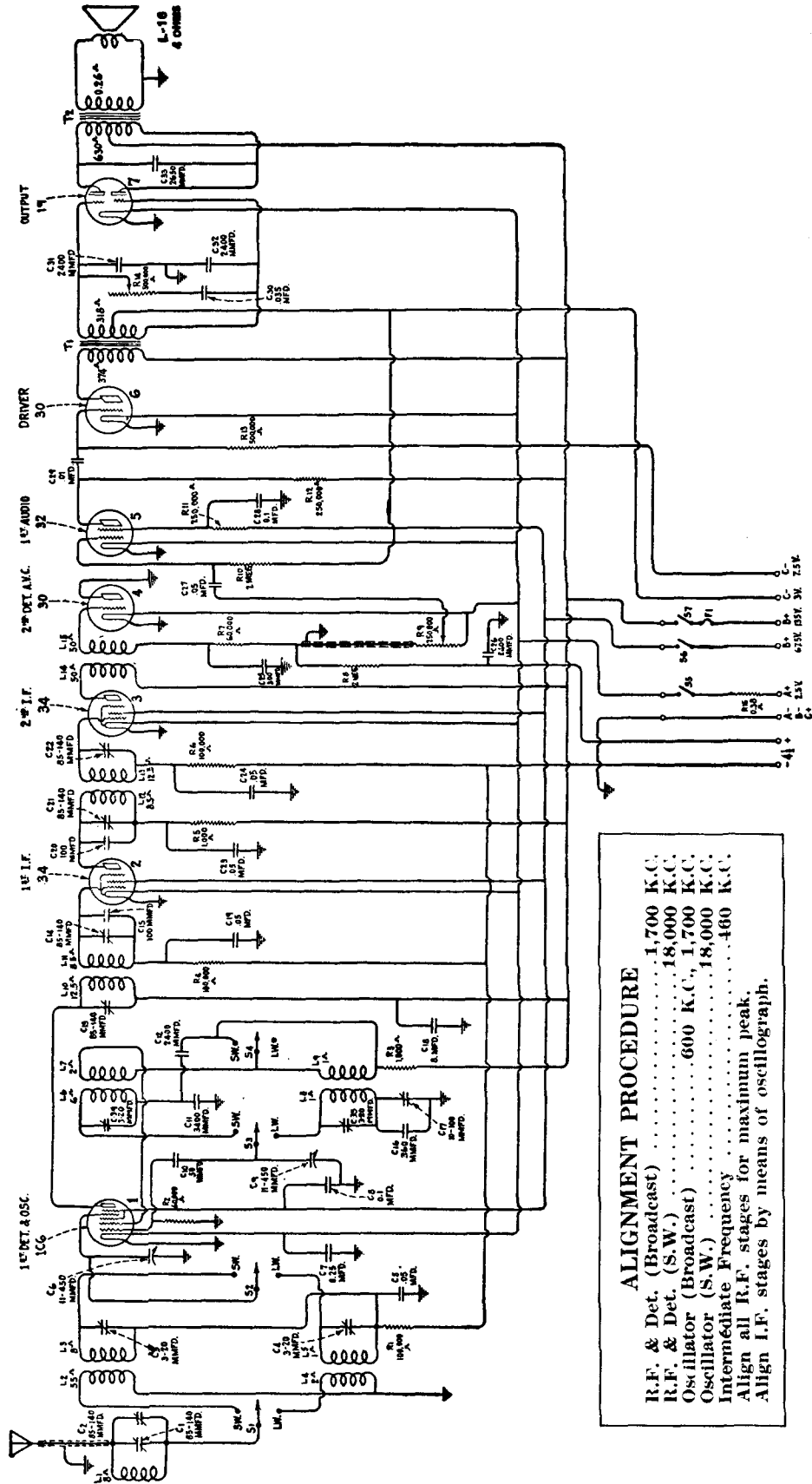
REPLACEMENT PARTS—MODEL D7-7 Continued

STOCK NO.	DESCRIPTION	STOCK NO.	DESCRIPTION
S-1630	Motor - 105-125 volts - 25 cycle motor complete.....	11233	Coil - Neutralizing coil (L21)...
11746	Trippler - Automatic brake tripper located on rotor laminations....	11258	Cone - Reproducer cone (L20)....
S-1631	Turntable - Turntable assembly-complete with rotor laminations-60 cycle operation.....	5118	Connector - 3-contact male connector for reproducer.....
S-1632	Turntable - Turntable assembly-complete with rotor laminations-25 cycle operation.....	5119	Connector - 3-contact female connector for reproducer cable....
4083	Washer - Leather washer -	9619	Reproducer - complete.....
4084	Washer - Metal washer -	11253	Transformer - Output transformer (T2).....
	MOTOR BOARD ASSEMBLIES	11230	Washer - "Binders board" "C" washers - used to hold field coil securely -
11752	Brake - Automatic brake and switch - complete.....		MISCELLANEOUS ASSEMBLIES
11751	Bushing - Motor mounting bushing and spring assembly-comprising one bushing, one large washer, one cup washer, one spring, one small washer and two nuts...	11762	Box - Used needle box.....
4577	Connector - Two-contact male connector for power supply cable	11764	Cable - Two conductor shielded cable approximately 28 in. long, connects phonograph volume control to compensator pack.....
2947	Leather - Automatic brake friction leather -	11760	Compensator-Phonograph compensator pack-Comprising one 470 ohm and one 1,000 ohm resistors, one .01 Mfd., one 0.1 Mfd. and one 1.0 Mfd. capacitors, and one 0.25H reactor-(R25, R26, C39, C40, C41, L24).....
11749	Lever - Brake mechanism actuating lever - fastens to pivot shaft under base of pickup arm.....	11376	Escutcheon - Station selector escutcheon and crystal.....
11754	Lever - Friction lever assembly-complete.....	11191	Bracket - Radiotron tuning lamp mounting bracket - less clamp..
11753	Plunger - Automatic brake trip plunger.....	11192	Clamp - Radiotron tuning lamp mounting clamp - Less bracket..
11750	Screw - No. 4-40x9/32 in. cone pointed headless set screw for brake mechanism actuating lever, Stock No. 11749 -	11276	Escutcheon - Radiotron tuning lamp escutcheon.....
11756	Spring - Automatic stop mechanism trip lever spring-	11382	Resistor - 1 megohm - Carbon type - 1/10 Watt - Used in tuning tube socket.....
11757	Spring - Automatic stop mechanism brake lever spring-	11381	Socket - Radiotron tuning tube socket and cover.....
11755	Switch - Automatic brake switch (S4).....	11582	Knob - Range switch knob -
	REPRODUCER ASSEMBLIES	11610	Knob - Station selector knob assembly - comprising one small and one large knob.....
11232	Board - Terminal board assembly with two lead wire clips.....	11763	Receptacle-Needle receptacle.....
11231	Bolt - Reproducer yoke and core assembly bolt and nut.....	11347	Knob - Volume control or tone control knob -
8060	Bracket - Output transformer mounting bracket.....	11210	Screw - Chassis mounting screw assembly-
11257	Clamp - Cone center suspension clamping nut and screw assembly-	11377	Screw - Chassis mounting screw assembly-
11254	Coil - Field coil (L22).....	11349	Spring - Retaining spring for knobs, Stock No. 11347, No. 11582 and small knob in Stock No. 11610
		4982	Spring - Retaining spring for large knob in Stock No. 11610
		11695	Volume Control-Phonograph volume control (R27, S5).....

- N O T E S -

(1) Beat notes or heterodyning (whistles) may be encountered in some instances on these receivers due to excessive antenna capacitance. This condition may be corrected by reducing the size of the antenna or by inserting a 150 mmfd. capacitor in series with the antenna lead. This may be accomplished in the receiver by removing the brown lead which connects from the antenna terminal to the wave trap inductance L-1 and inserting the condenser between these points. Interference in the form of "beats" from a local station may frequently be remedied by tuning the antenna wave trap to that station. The wave trap will tune up to 700 kc.

Models BT7-1 & BC7-1 Battery Receivers



REPLACEMENT PARTS—MODELS BT7-1 & BC7-1

Insist on genuine factory tested parts, which are readily identified and may be purchased from authorized dealers.

KEY No.	STOCK No.	DESCRIPTION	KEY No.	STOCK No.	DESCRIPTION
		RECEIVER ASSEMBLIES		7800	Shield—Antenna, oscillator or I. F. transformer shield
R-13	S-1067	Resistor—500,000 ohms—Carbon type—1/4 watt.			
R-1					
R-4	S-1354	Resistor—100,000 ohms—Carbon type—1/4 watt.			REPRODUCER ASSEMBLIES (Console Model)
R-6					
C-17	S-1360	Capacitor—Adjustable Trimmer Capacitor			
	S-1429	Cap—Contact Cap	S-1446		Cone—Reproducer Cone
L-6			7819		Reproducer complete
L-7			7820		Magnet—Cone housing and magnet assembly
L-8	S-1447	Coil—Oscillator coil			
L-9					REPRODUCER ASSEMBLIES (Table Model)
C-34	2749	Capacitor—2400 mmfd.			
C-35	3056	Shield—1st Audio and Intermediate Frequency Tube Shields	9538		Reproducer complete
C-26			9539		Cone—Reproducer Cone
R-2	3602	Resistor—60,000 ohms—Carbon type—1/4 watt.	9540		Magnet assembly—Comprising cone bracket, cone and magnet
R-7					
R-11	3744	Resistor—250,000 ohms—Carbon Type—1/4 watt			
R-12					DRIVE ASSEMBLY
C-8	3859	Socket—4 contact radiotron socket			
C-28	3877	Capacitor—0.1 mfd.			
	3942	Shield—First detector and oscillator radiotron shield	4363		Pointer—Station selector pointer—(Console Model)
C-25	3981	Capacitor—300 mmfd.			
C-29	4212	Capacitor—0.01 mfd.	4422		Clutch—Condenser drive clutch assembly complete
R-3	4232	Socket—6 contact radiotron socket	4475		Pointer—Station selector pointer—(Table Model)
R-5	4370	Resistor—1000 ohms—Carbon type—1/4 watt.	4586		Drive—Variable tuning condenser drive assembly complete
C-16			S-1539		Dial—Station Selector dial—Table Model
C-19	4413	Capacitor—360 mmfd.	4641		Dial—Station selector dial—Console Model
C-5					
C-23	4417	Capacitor—0.05 mfd.			
C-24					
	4427	Bracket—Volume or tone control mounting bracket			MISCELLANEOUS ASSEMBLIES
L-2					
L-3					
L-4	4430	Coil—Antenna coil	3088		Knob—Operating switch knob
L-5			3238		Screw—6-40-1/2" knurled head—Set screw for operating switch knob—No. 3088
C-3					
C-4					
L-10			3748		Fuse—0.5 ampere
L-11			3913		Switch—Operating Switch
L-13	4431	Transformer—1st intermediate transformer	4284		Spring—Fuse connector spring
C-14			4285		Washer—Fuse connector insulating washer
C-15					
S-1			4286		Ferrule—Fuse connector ferrule and bushing
S-2					
S-3	4437	Switch—Range switch	4288		Cap—Fuse connector cap
S-4			4289		Body—Fuse connector body
SW.			4290		Insulator—Fuse connector insulator
L-11					
C-11	4439	Capacitor—3400 mmfd.	4638		Screw—Chassis mounting screw assembly—Comprising eight cushions, four screws, four washers, four lockwashers and four spacers
C-12					
C-31	4440	Capacitor—2400 mmfd.	4449		Knob—Station selector, volume control, tone control or range switch knob
C-32			4541		Cable—2 Conductor speaker cable
C-10	4442	Capacitor—50 mmfd.	4542		Cable—Battery cable—8 conductor complete with switch and connectors—Console Model
C-18	4498	Capacitor—8 mfd.	4613		Screw—8-32-7/16" headless set screw for station selector volume control, tone control or range switch knob
C-6	4504	Condenser—Two gang variable tuning condenser			
C-9			4642		Cable—Battery cable—8 conductor complete with switch and connectors—Table Model
C-27	4518	Capacitor—0.05 mfd.	4644		Resistor—0.42 ohms—Flexible type—Filament series
C-33	4529	Capacitor—2650 mmfd.	6176		Escutcheon—"Off"—"On" operating switch escutcheon
T-1	4533	Transformer pack—Audio transformer pack—Comprising driver and output transformer	6516		Connector—Fuse connector complete
T-2			6614		Glass—Station selector dial glass—(Console Model)
R-9	4535	Volume control	6615		Ring—Retaining ring for dial glass—(Console Model)
R-14	4536	Tone Control	6707		Glass—Station selector dial glass—(Table Model)
C-7	4537	Capacitor—0.25 mfd.	6708		Ring—Retaining ring for dial glass—(Table Model)
L-14			6840		Bezel—Metal Bezel for station selector dial glass—(Console Model)
L-15	4538	Transformer—3rd Intermediate transformer			
L-1					
C-1	4539	Coil & Shield assembly—Antenna trap circuit			
C-2					
C-30	4643	Capacitor—0.035 mfd.			
R-8	6242	Resistor—2 megohms—Carbon type—1/4 watt.			
R-10					
L-12	7487	Shield—Driver Radiotron Shield			
L-13					
C-20					
C-22	7840	Transformer—2nd Intermediate transformer			
C-21					

Models T8-14, C8-15 & C8-16

REPLACEMENT PARTS

Insist on genuine factory tested parts, which are readily identified and may be purchased from authorized dealers.

STOCK NO.	DESCRIPTION	STOCK NO.	DESCRIPTION
RECEIVER ASSEMBLIES			
4427	Bracket - Volume control or high frequency tone control mounting bracket	11172	Resistor -470,000 Ohm - Carbon Type-1/4 Watt (R-14)
5237	Bushing - Variable tuning condenser mounting bushing assembly	11151	Resistor - 2.2 Megohms -Carbon Type-1/4 Watt (R-9)
11350	Cap - Contact cap -	11273	Shield - Rectifier Radiotron Shield.
11223	Capacitor - Adjustable capacitor (C-19)	11222	Socket - Dial lamp socket.
11292	Capacitor - 22 MMfd. (C-7)	4794	Socket - 4-contact rectifier Radiotron socket.
11321	Capacitor - 33 MMfd. (C-33)	11313	Socket - 5-contact Radiotron Socket.
11289	Capacitor - 50 MMfd. (C-11)	11198	Socket - 7-contact Radiotron socket.
11291	Capacitor - 115 MMfd.(C-21)	11236	Switch - Band switch (S-1,S-2,S-3,S-4,S-5,S-6,S-7,S-8,S-9,S-10,S-11).
5116	Capacitor - 175 MMfd.(C-35)	11133	Switch - Power switch (S-12)
4409	Capacitor - 1120 MMfd. (C-38)	5238	Terminal - Antenna terminal clip assembly.
11288	Capacitor - 1225 MMfd. (C-17)	11216	Transformer - First intermediate frequency transformer (L-16, L-17, C-24, C-25)
11287	Capacitor - 4500 MMfd. (C-15)	11239	Transformer - Second intermediate frequency transformer (L-18, L-19, C-29, C-30, C-31,R-7, R-8)
4868	Capacitor - 0.005 Mfd. (C-34, C-44)	11241	Transformer - Power transformer - 105-125 Volts (T-1)
4624	Capacitor - 0.01 Mfd. (C-32)	11242	Transformer - Power transformer - 105-125 volts - 25-60 Cycles.
4858	Capacitor - 0.01 Mfd. (C-37)	DRIVE ASSEMBLIES	
5196	Capacitor - 0.035 Mfd. (C-43)	4362	Arm - Band indicator operating arm.
4836	Capacitor - 0.05 Mfd. (C-4, C-13, C-26)	10194	Ball - Steel ball - Used with winding shaft -
4885	Capacitor - 0.1 Mfd. (C-12, C-6, C-27)	4422	Clutch - Tuning condenser drive clutch assembly - comprising drive shaft,balls,ring,spring and washers - assembled.
5170	Capacitor - 0.25 Mfd. (C-23, C-28, C-36)	11328	Dial - Dial scale
11248	Capacitor - 4 Mfd. (C-41)	11252	Drive - Variable tuning condenser drive assembly
11240	Capacitor - 10 Mfd. (C-39)	11225	Indicator - Band indicator pointer
5212	Capacitor - 18 Mfd. (C-40)	4520	Indicator - Station selector indicator pointer.
4748	Clamp - Capacitor mounting clamp assembly - for Stock No. 11248	11226	Link - Band indicator operating link and arm assembly - less pointer.
5215	Coil - Antenna coil (A and C Bands) (L-1, L-2, L-5, L-6, C-1, C-3)	3993	Screw - No. 6-32-5/32" square set screw for band indicator operating arm -
5245	Coil - Antenna coil (B Band) (L-3, L-4, C-2)	4669	Screw - No. 8-32-5/32" set screw for variable condenser drive assembly -
5216	Coil - Detector coil (A and C Bands) (L-7, L-8, L-11, L-12, C-8, C-10)	4377	Spring - Band indicator operating arm spring -
5246	Coil - Detector coil (B Band) (L-9, L-10, C-9)	4378	Stud - Band indicator operating arm stud and nut assembly -
5217	Coil - Oscillator coil (A and C Bands) (L-13, L-15, C-16, C-20)	MISCELLANEOUS ASSEMBLIES	
5247	Coil - Oscillator coil (B Band) (L-14, C-18)	11337	Escutcheon - Station selector escutcheon
11214	Condenser - 3-Gang variable tuning condenser (C-5, C-14,C-22)	6615	Ring - Spring retaining ring for dial glass -
11238	Tone Control - High frequency tone control (R-20)	6614	Glass - Station selector dial glass.
11237	Volume Control (R-11)	11346	Knob - Station selector knob.
4340	Lamp - Dial lamp	11347	Knob - Volume control, tone control, range switch or power switch knob.
8041	Plate - R.F. or I.F. coil shield locking plate -	11246	Foot - Chassis mounting foot and bracket assembly -
11244	Resistor - Voltage divider resistor, comprising one 7500 ohms and one 9200 ohm section (R-18, R-19)	11210	Screw - Chassis mounting screw assembly -
11245	Resistor - Voltage divider resistor, comprising one 148 ohm, one 32 ohm, and one 110 ohm section (R-80, C-38, R-12)	11348	Screw - No. 8-32-7/16" headless cupped point set screw for knob, Stock #11346 -
5112	Resistor - 1000 ohm - Carbon Type - 1/4 Watt (R-2)	11349	Spring - Retaining spring for knob, stock #11347 -
5114	Resistor - 15,000 Ohm - Carbon Type-1 Watt (R-5)		
11300	Resistor - 33,000 Ohm - Carbon Type-1/10 watt (R-4)		
11322	Resistor - 39,000 Ohm - Carbon Type-1/4 watt (R-10)		
5029	Resistor - 56,000 Ohm - Carbon Type-1/4 watt (R-13)		
3118	Resistor -100,000 Ohm - Carbon Type-1/4 watt (R-1, R-3, R-6)		
11323	Resistor -270,000 Ohm - Carbon Type-1/4 watt (R-12)		

REPLACEMENT PARTS—MODELS T8-14, C8-15 & C8-16 Continued

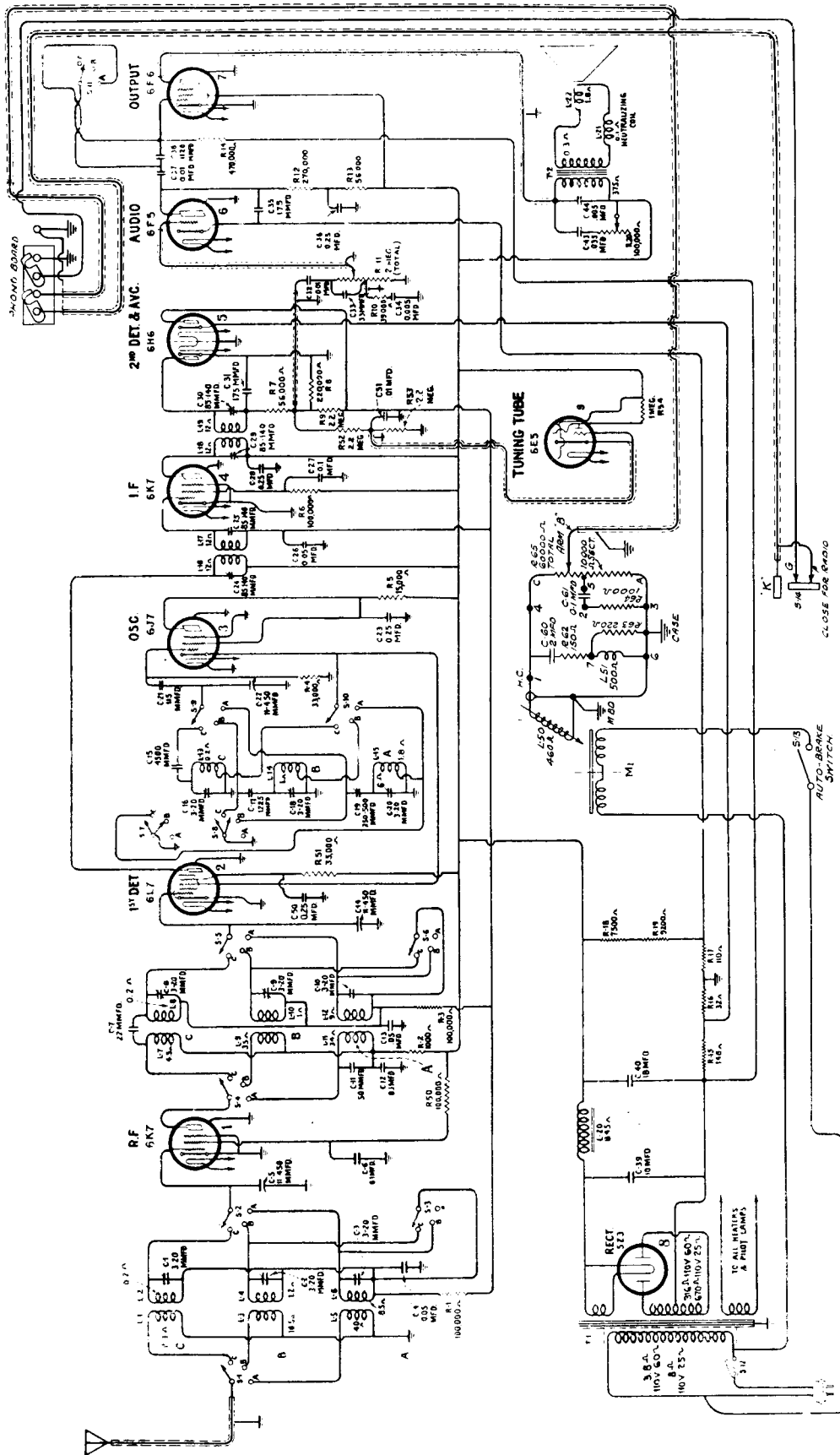
STOCK NO.	DESCRIPTION	STOCK NO.	DESCRIPTION
	REPRODUCER ASSEMBLIES Table Model		REPRODUCER ASSEMBLIES Console Model
11232	Board - Terminal board with two two lead wire clips.	11232	Board - Terminal board assembly with two lead wire clips
11231	Bolt - Yoke and core assembly bolt and nut.	11231	Bolt - Yoke and core assembly bolt and nut
8060	Bracket - Output transformer mounting bracket.	8060	Bracket - Output transformer mounting bracket.
11257	Clamp - Cone center suspension clamping nut and screw assembly -	11257	Clamp - Cone center suspension clamping nut and screw assembly -
11254	Coil - Field coil (L-20).	11254	Coil - Field coil (L-20).
11233	Coil - Neutralizing coil (L-21)	11233	Coil - Hum neutralizing coil. (L-21)
11235	Cone - Reproducer Cone (L-22)	11258	Cone - Reproducer cone (L-22)
5119	Connector - 3-contact female connector for reproducer cable	5118	Connector - 3-contact male connector for reproducer
5118	Connector - 3-contact male connector for reproducer	5119	Connector - 3-contact female connector plug for reproducer cable.
9618	Reproducer - Complete	9619	Reproducer - Complete
11253	Transformer - Output transformer (T-2).	11253	Transformer - Output transformer (T-2)
11230	Washer - "Binders Board" "C" washer - used to hold field coil securely	11230	Washer - "Binders Board " "C" washer used to hold field coil assembly

**REPLACEMENT PARTS
Peculiar to
MODEL C8-16**

Insist on genuine factory tested parts, which are readily identified and may be purchased from authorized dealers.

STOCK No.	DESCRIPTION	STOCK No.	DESCRIPTION
11382	Resistor - 1 Megohm- Carbon Type - 1/10 watt (R54).	11319	Cable - Tuning Lamp cable - Complete with socket.
11151	Resistor - 2.2 Megohms - Carbon Type - 1/4 watt (R52, R53).	11192	Clamp - Tuning Lamp Mounting Clamp - Less bracket 11191.
4858	Capacitor - 0.01 Mfd. (C51).	11276	Escutcheon - Tuning Lamp Escutcheon.
11191	Bracket - Tuning Lamp Mounting Bracket Less clamp 11192.	11381	Socket - Tuning Lamp Socket and Cover.

Model D8-1 A.C. Receiver



ALIGNMENT PROCEDURE

- R.F. & Det. (A) 1700 K.C.
 - R.F. & Det. (B) 6,000 K.C.
 - R.F. & Det. (C) 18,000 K.C.
 - Oscillator (A) 600 K.C., 1,700 K.C.
 - Oscillator (B) 6,000 K.C.
 - Oscillator (C) 18,000 K.C.
 - Intermediate Frequency 460 K.C.
- Align all stages for maximum peak.

REPLACEMENT PARTS—MODEL D8-1

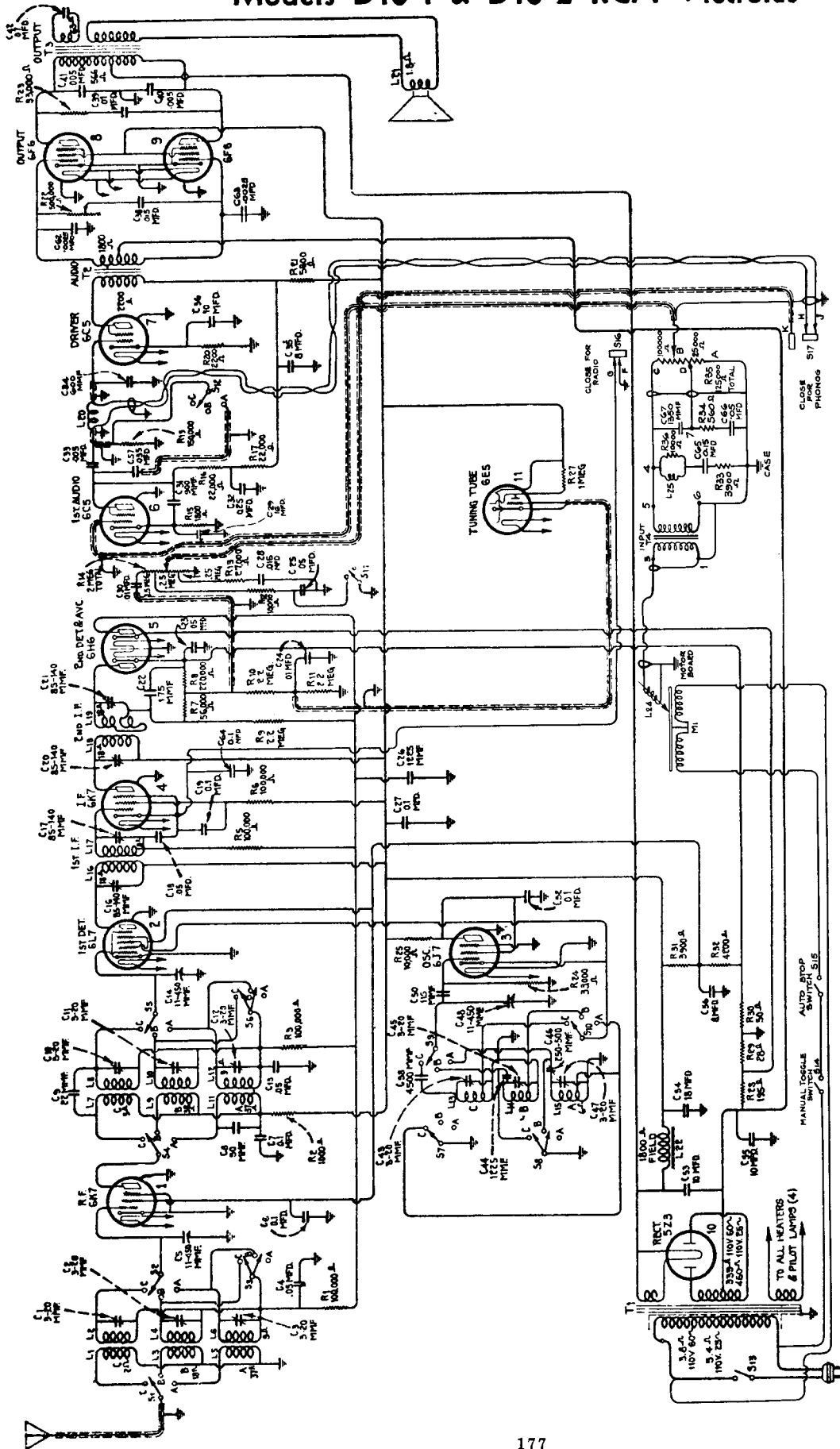
Insist on genuine factory tested parts, which are readily identified and may be purchased from authorized dealers.

STOCK NO.	DESCRIPTION	STOCK NO.	DESCRIPTION
RECEIVER ASSEMBLIES			
4427	Bracket - Volume control or high frequency tone control mounting bracket.....	5029	Resistor - 56,000 ohm - Carbon Type-1/4 Watt (R-13).....
5237	Bushing - Variable tuning condenser mounting bushing assembly	3118	Resistor -100,000 Ohm - Carbon Type-1/4 Watt (R-1, R-3, R-6).....
11350	Cap - Contact cap -	11323	Resistor -270,000 Ohm - Carbon Type-1/4 Watt (R-12).....
11223	Capacitor - Adjustable capacitor (C-19).....	11172	Resistor -470,000 Ohm - Carbon Type-1/4 Watt (R-14).....
11292	Capacitor - 22 MMfd. (C-7).....	11382	Resistor - 1 Megohm - Carbon Type-1/10 Watt (R-54).....
11321	Capacitor - 33 MMfd. (C-33).....	11151	Resistor - 2.2 Megohms - Carbon Type-1/4 Watt (R-9, R-52, R-53).....
11289	Capacitor - 50 MMfd. (C-11).....	11273	Shield - Rectifier Radiotron Shield..
11291	Capacitor - 115 MMfd. (C-21)....	11222	Socket - Dial lamp socket.....
5116	Capacitor - 175 MMfd. (C-35)....	4794	Socket - 4-contact rectifier Radiotron socket.....
4409	Capacitor - 1120 MMfd. (C-38)....	11513	Socket - 5-contact Radiotron Socket..
11288	Capacitor - 1225 MMfd. (C-17)....	11198	Socket - 7-contact Radiotron socket..
11287	Capacitor - 4500 MMfd. (C-15)....	11236	Switch - Band switch (S-1,S-2,S-3,S-4,S-5,S-6,S-7,S-8,S-9,S-10,S-11)..
4868	Capacitor - 0.005 Mfd. (C-34), C-44).....	11133	Switch - Power switch (S-12),.....
4624	Capacitor - 0.01 Mfd. (C-32)....	5238	Terminal - Antenna terminal clip assembly.....
4858	Capacitor - 0.01 Mfd. (C-37)....	11216	Transformer - First intermediate frequency transformer (L-16, L-17, C-24, C-25).....
5196	Capacitor - 0.035 Mfd. (C-43)....	11239	Transformer - Second intermediate frequency transformer (L-18, L-19, C-29, C-30, C-31, R-7, R-8).....
4836	Capacitor - 0.05 Mfd. (C-4, C-13, C-26).....	11241	Transformer - Power transformer - 105-125 Volts (P-1).....
4885	Capacitor - 0.1 Mfd. (C-12,C-6, C-27).....	11242	Transformer - Power transformer - 105-125 volts - 25-60 Cycles.....
4858	Capacitor - 0.01 Mfd. (C-51)....	DRIVE ASSEMBLIES	
5170	Capacitor - 0.25 Mfd. (C-28, C-28,C-36).....	4362	Arm - Band indicator operating arm...
11248	Capacitor - 4 Mfd. (C-41).....	10194	Ball - Steel ball - Used with winding shaft -
11240	Capacitor - 10 Mfd. (C-39).....	4422	Clutch - Tuning condenser drive clutch assembly - comprising drive shaft, balls, ring, spring and washers - assembled.....
5212	Capacitor - 18 Mfd. (C-40).....	11328	Dial - Dial scale.....
4748	Clamp - Capacitor mounting clamp assembly - for stock No. 11248.....	11252	Drive - Variable tuning condenser drive assembly.....
5215	Coil - Antenna coil (A and C Bands) (L-1, L-2, L-5, L-6, C-1, C-3).....	11225	Indicator - Band indicator pointer...
5245	Coil - Antenna coil (B Band) (L-3, L-4, C-2).....	4520	Indicator - Station selector indicator pointer.....
5216	Coil - Detector coil (A and C Bands) (L-7,L-8, L-11, L-12, C-8, C-10).....	11226	Link - Band indicator operating link and arm assembly - less pointer....
5246	Coil - Detector coil (B Band) (L-9, L-10, C-9).....	3993	Screw - No. 6-32-5/32" square set screw for band indicator operating arm -
5217	Coil - Oscillator coil (A and C Bands) L-13, L-15, C-16, C-20).....	4669	Screw - No. 8-32-5/32" set screw for variable condenser drive assembly
5247	Coil - Oscillator coil (B Band) (L-14, C-18).....	4377	Spring - Band indicator operating arm spring -
11214	Condenser - 3-Gang variable tuning condenser (C-5, C-14, C-22)	4378	Stud - Band indicator operating arm stud and nut assembly -
11238	Tone Control - High frequency tone control (R-20).....	MOTOR ASSEMBLIES	
11237	Volume Control (R-11).....	8989	Motor - 110-v - 60-cycle.....
4340	Lamp - Dial lamp.....	8992	Motor - 110-v - 60-cycle.....
8041	Plate - R.F. or I.F. coil shield locking plate -	4562	Suspension Spring-Motor Mounting Spring, Washer, and Stud Assembly-Comprising six cup washers and three studs.....
11244	Resistor - Voltage divider resistor, comprising one 7500 ohms and one 9200 ohm section (R-18, R-19).....	MOTOR-BOARD ASSEMBLIES	
11245	Resistor - Voltage divider resistor, comprising one 148 ohm, one 32 ohm, and one 110 ohm section (R-30, C-38, R-12).....	11607	Box - Used Needle Box (cup).....
5112	Resistor - 1000 ohm - Carbon Type-1/4 Watt (R-2).....	7084	Cover - Turntable Cover.....
5114	Resistor - 15,000 Ohm - Carbon Type-1 Watt (R-5).....		
11300	Resistor - 33,000 Ohm - Carbon Type-1/10 Watt (R-4).....		
11322	Resistor - 39,000 Ohm - Carbon Type-1/4 Watt (R-10).....		

REPLACEMENT PARTS—MODEL D8-1 Continued

STOCK NO.	DESCRIPTION	STOCK NO.	DESCRIPTION
S-1637 11695	Furtable - Complete..... Volume Control - Phonograph Volume Control (R-65, S-14).....	11347	Knob - Phonograph Volume Control, Radio Volume Control, Tone Control, Power Switch or Range Switch Knob.....
ECCENTRIC AUTOMATIC BRAKE SWITCH ASSEMBLIES		3763	Suspension Spring - Suspension Spring, washer and Bolt Assembly for Motor-Board - Comprising one Bolt, two Cup Washers, two springs, two "C" Washers, and one Cap Nut...
3994	Cover - Eccentric Automatic Switch Cover and Screw.....	11191	Bracket - Tuning Lamp Mounting Bracket Less clamp 11192.....
10174	Springs - Automatic Brake Springs-comprising one each of four springs.....	11192	Clamp - Tuning Lamp Mounting Clamp - Less bracket 11191.....
6805	Switch - Eccentric Automatic Brake and Switch Assembly - Less Switch Cover.....	11276	Escutcheon - Tuning Lamp Escutcheon.
3522	Switch - Eccentric Automatic Switch only - Less Cover (S-13)..	11381	Socket - Tuning Lamp Socket and Cover.....
PICK-UP AND ARM ASSEMBLIES		11337	Escutcheon - Station selector escutcheon.....
11944	Arm-Pickup Arm Complete - Less Escutcheon and Pickup Unit.....	6615	Ring - Spring retaining ring for dial glass -
11707	Armature-Pickup Armature.....	6614	Glass - Station selector dial glass..
6346	Back-Pickup Housing Back.....	11346	Knob - Station selector knob.....
11709	Coil-Pickup Coil (L50).....	11347	Knob - Volume Control, tone control, range switch or power switch knob...
3737	Damper-Pickup Damper -	11246	Foot - Chassis mounting foot and bracket assembly -
11706	Pickup Unit - Complete (L50).....	11210	Screw - Chassis mounting screw assembly -
3387	Screw Assembly - Pickup Mounting Screw.Assembly - Comprising one Screw, one Lockwasher and one Nut -	11348	Screw - No. 8-32-7/16" headless cupped point set screw for knob, Stock #11346 -
11549	Screw - Pickup Front Cover Screw-	11349	Spring - Retaining spring for knob; Stock #11347
11547	Screw - Pickup Needle holding Screw -	REPRODUCER ASSEMBLIES	
11717	Cable - Five conductor shielded cable Approximately 24" long - Connects Phonograph volume control to compensator pack and chassis terminal strip.....	11232	Board - Terminal Board assembly with two lead wire clips.....
11716	Cable - Radiotron tuning cable complete with socket and cover approximately 25" long.....	11231	Bolt - Yoke and core assembly bolt and nut.....
4573	Plug - Female Section of Two Contact Plug - Used on Power Cable to Motor.....	8060	Bracket - Output transformer mounting bracket.....
4577	Plug - Male Section of Two Contact Plug - Used on Motor Leads.....	11257	Clamp - Cone center suspension clamping nut and screw assembly -
MISCELLANEOUS ASSEMBLIES		11254	Coil - Field coil (L-20).....
11694	Compensator - Phonograph Input Compensator Pack - Comprising one 150 Ohm, one 220 Ohm, and one 1000 Ohm Resistor, one 0.1 Mfd. and one 2 Mfd. Capacitor, and one 0.25 H Reactor (R62, R63, R64, C60, C61, L51).....	11233	Coil - Hum neutralizing coil - (L-21).....
		11258	Cone - Reproducer cone (L-22).....
		5118	Connector - 3-contact male connector for reproducer.....
		5119	Connector - 3 contact female connector plug for reproducer cable.....
		9619	Reproducer - Complete.....
		11253	Transformer - Output transformer (T-2).....
		11230	Washer - "Binders Board" "C" washer used to hold field coil assembly.....

Models C10-1 & C10-2 A.C. Receivers Models D10-1 & D10-2 RCA Victrolas



(On some instruments—C-33 is .035 mfd. and C-57 is removed.)

ALIGNMENT PROCEDURE

R.F. & Det. (A)1700 K.C.
R.F. & Det. (B)6,000 K.C.
R.F. & Det. (C)18,000 K.C.
Oscillator (A)600 K.C., 1,700 K.C.
Oscillator (B)6,000 K.C.
Oscillator (C)18,000 K.C.
Intermediate Frequency460 K.C.

Align all stages for maximum peak.

REPLACEMENT PARTS MODELS C10-1, C10-2, D10-1 & D10-2

Insist on genuine factory tested parts, which are readily identified and may be purchased from authorized dealers.

STOCK NO.	DESCRIPTION	STOCK NO.	DESCRIPTION
RECEIVER ASSEMBLIES			
4427	Bracket - High or low frequency tone control or volume control mounting bracket.....	8041	Plate - I.F. or R.F. coil shield locking plate with screw -
5237	Bushing - Variable condenser mounting bushing assembly -	20	Resistor - Voltage divider resistor-comprising one 3900 Ohm and one 4200 Ohm section (R-31,R-32).....
11223	Capacitor - Adjustable capacitor (C-46).....	11221	Resistor - Voltage divider resistor-comprising one 50 Ohm, one 28 Ohm and one 195 Ohm section(R-28,R-29, R-30).....
11292	Capacitor - 22 MMfd. (C-9).....	5112	Resistor - 1000 Ohm - Carbon type - 1/4 Watt (R-2).....
11289	Capacitor - 50 Mmfd. (C-8).....	3706	Resistor - 1800 Ohm - Carbon type - 1/4 Watt (R-15).....
11291	Capacitor -115 MMfd. (C-50).....	5159	Resistor - 2200 Ohm - Carbon type - 1/4 Watt (R-20).....
11317	Capacitor -600 MMfd. (C-34).....	5175	Resistor - 5600 Ohm - Carbon type - 1/4 Watt (R-21).....
3784	Capacitor -900 MMfd. (C-31).....	2731	Resistor - 10,000 Ohm - Carbon type- 1 Watt (R-25).....
4409	Capacitor -1120 MMfd.(C-37).....	11305	Resistor - 22,000 Ohm - Carbon type- 1/4 Watt (R-16,R-17).....
11316	Capacitor -1225 MMfd.(C-26).....	11300	Resistor - 33,000 Ohm - Carbon type- 1/10 Watt (R-24).....
11287	Capacitor -4500 MMfd.(C-58).....	5033	Resistor - 33,000 Ohm - Carbon type- 1 Watt (R-23).....
4907	Capacitor -0.005 Mfd.(C-40,C-41)....	3118	Resistor - 100,000 Ohm -Carbon type- 1/4 Watt (R-1,R-3,R-5,R-6).....
4868	Capacitor -0.005 Mfd. (C-33).....	5027	Resistor - 150,000 Ohm -Carbon type- 1/4 Watt (R-19).....
5107	Capacitor -0.0025 Mfd.(C-62,C-63)....	11151	Resistor - 2.2 Megohm - Carbon type- 1/4 Watt (R-9,R-10,R-11).....
4858	Capacitor -0.01 Mfd. (C-24).....	11250	Shield - Choke coil shield.....
4624	Capacitor -0.01 Mfd. (C-30).....	5249	Shield - R.F. coil shield.....
4937	Capacitor -0.01 Mfd. (C-39).....	11273	Shield - Radiotron shield.....
11315	Capacitor -0.015 Mfd.(C-38).....	5250	Shield - I.F. Transformer shield....
5196	Capacitor -0.035 Mfd.(C-57).....	11222	Socket - Dial lamp socket.....
4836	Capacitor -0.05 Mfd. (C-4,C-13,C-18, C-23).....	4794	Socket - 4-contact Radiotron socket.....
4885	Capacitor -0.1 Mfd. (C-7,C-19,C-27, C-52).....	11197	Socket - 6-contact Radiotron socket.....
4841	Capacitor -0.1 Mfd. (C-6).....	11198	Socket - 7-contact Radiotron socket.....
11414	Capacitor -0.1 Mfd. (C-64).....	5224	Switch - Low frequency tone control with power switch (S-11,S-13)....
5170	Capacitor -0.25 Mfd. (C-32).....	11236	Switch - Range switch (S-1,S-2,S-3, S-4,S-5,S-6,S-7,S-8,S-9,S-10,S-12)
11203	Capacitor -10 Mfd. (C-53).....	5238	Terminal - Antenna terminal assembly
5212	Capacitor -18 Mfd. (C-54).....	11218	Transformer - Audio driver transformer (T-2).....
11215	Capacitor pack - Comprising one 16 Mfd., two 10 Mfd., and two 8 Mfd. capacitors(C-29,C-35,C-36,C-55, C-56).....	11216	Transformer - First intermediate frequency transformer (L-16,L-17, C-16,C-17).....
11318	Capacitor pack - Comprising one .015 Mfd., one .05 Mfd.,one 10,000 Ohm resistor and one 27,000 Ohm resistor (C-25,C-28, R-12,C-13).....	11217	Transformer - Second intermediate frequency transformer (L-18,L-19, C-20,C-21,C-22,R-7,R-8).....
11201	Clamp - Cable clamp - located near variable tuning condenser-	11212	Transformer - Power transformer - 105-125 volts - 25-50 cycles.....
11272	Clamp - Cable clamp - located above antenna terminal -	11211	Transformer - Power transformer - 105-125 volts - 50-60 cycles (T-1)
4693	Clamp - Electrolytic capacitor clamp - for stock No.11215.....	DRIVE ASSEMBLIES	
5215	Coil - Antenna coil - A and C bands (L-1,L-2,L-5,L-6,C-1,C-3)	5243	Arm - Band indicator operating arm..
5245	Coil - Antenna coil - B band (L-3,L-4,C-2).....	10194	Ball- Steel ball for drive assembly-
11320	Coil - Choke coil (L-20).....	8054	Cam - Five position cam for station selector drive assembly.....
5216	Coil - Detector coil - A and C bands (L-7,L-8,L-11,L-12,C-10, C-12).....	4422	Clutch - Tuning condenser drive clutch assembly - comprising shaft, balls,ring,spring and washers assembled.....
5246	Coil - Detector coil - B band (L-9,L-10,C-11).....		
5217	Coil - Oscillator coil A and C bands (L-13,L-15,C-43,C-47)....		
5247	Coil - Oscillator coil B band (L-14,C-45).....		
5214	Condenser - Three gang variable tuning condenser (C-5,C-14,C-48)		
11205	Volume control (R-14).....		
11219	Tone Control - High frequency tone control (R-22).....		
5226	Lamp - Pilot lamp -		

REPLACEMENT PARTS

MODELS C10-1, C10-2, D10-1 & D10-2 Continued

STOCK NO.	DESCRIPTION	STOCK NO.	DESCRIPTION
8048	Coupling - Flexible coupling for variable capacitor - (includes indicator shaft).....		EJECT ARM ASSEMBLIES (Grey Type)
11334	Dial - Dial scale with mounting rivets.....	7605	Arm - Eject arm assembly complete..
8045	Disc - Drive disc and gear assembly.	3658	Ball - Ball bearing -
11631	Drive - Tuning condenser drive assembly complete.....	3656	Bearing - Ejector tip bearing.....
8044	Escutcheon - Dial escutcheon with vernier scale.....	6575	Cover - Eject arm cover.....
8046	Gear - Indicator shaft drive gear and vernier idler with one spring	3662	Plate - Ejector plate and felt pad.
8050	Gear - Gear sector and band indicator operating link - (link connects to arm on band switch)..	3655	Retainer - Ball retainer with three ball bearings.....
8053	Indicator - Station selector indicator pointer.....	3729	Roller - Counter balance roller - Located inside of eject arm.....
8051	Link - Complete with roller and spring.....	3665	Screw - Eject arm adjustment screw and nut -
8049	Pinion - Vernier pointer drive pinion and shaft.....	3660	Shaft - Eject arm shaft.....
4669	Screw - No. 8-32 5/32" square head set screw - for variable condenser drive assembly -	3730	Spring - Counter balance roller stop spring and pad - Located inside of eject arm.....
8047	Spring - Coil spring for indicator shaft drive gear and vernier idler (Stock #8046).....	3663	Spring - Eject arm horizontal action tension spring -
8052	Spring - Coil spring for link -	3657	Tip - Ejector tip.....
8042	Stud - band indicator operating arm stud -	2917	Washer - Spring washer
	EJECT ARM ASSEMBLIES (Brown Type)	3661	Yoke - Eject arm yoke assembly.....
11541	Arm - Eject arm, complete.....		PICKUP AND ARM ASSEMBLIES (Brown Type)
11533	Ball - 1/16 inch diameter steel ball -	11720	Arm - Pickup arm, complete - less escutcheon and pickup unit.....
10129	Ball - 3/16 inch diameter steel ball -	11724	Armature - Pickup armature.....
11529	Bearing - Ejector tip bearing and nut.....	11548	Back - Pickup back.....
11538	Bracket - Eject arm bracket.....	11722	Coil - Pickup coil (L-24).....
11537	Collar - Eject arm shaft collar and set screw.....	11545	Cover- Pickup front cover.....
11540	Cover - Eject arm cover.....	11546	Cover- Pickup back cover with mounting screws.....
11536	Cushion - Counter balance roller cushion - Located inside of eject arm.....	3737	Damper - Pickup damper
4055	Post - Vertical adjustment post - Located on eject arm bracket.....	3516	Damper - Damper assembly for pickup arm base - Comprising one upper and one lower damper - one upper bushing and one lower bearing
3729	Roller - Eject arm counter balance roller - Located inside of eject arm.....	11723	Escutcheon - Pickup arm escutcheon..
4580	Screw - No.6-32-3/16 inch square head set screw for eject arm collar -	11721	Pickup - Pickup unit, complete.....
11534	Screw - No.8-36-7/32 inch special screw for eject arm tip center adjustment -	11549	Screw - Pickup front cover screw -
11535	Shaft and collar - Eject arm vertical action shaft and collar assembly.....	3387	Screw,-nut and washer for mounting pickup to arm -
11528	Silencer - Ejector tip silencer....	11547	Screw - Pickup needle screw -
4067	Spring - Eject arm bracket spring-		PICKUP AND ARM ASSEMBLIES (Grey Type)
11531	Spring - Ejector tip spring -	S-1493	Arm - Pickup arm complete less escutcheon, pickup,pickup mounting screw nut and washer.....
11530	Tip - Ejector tip with tip center, adjusting screw and cap.....	S-1363	Armature - Pickup armature.....
11539	Yoke - Eject arm yoke assembly.....	3733	Back - Pickup housing back.....
		11722	Coil - Pickup coil (L-24).....
		3734	Cover - Pickup back cover.....
		3732	Cover - Pickup cover.....
		3516	Damper and bushing assembly-located at bottom of pickup arm case-
		3737	Damper - Pickup damper-
		3779	Escutcheon - Pickup arm escutcheon complete with mounting rivets.....
		S-1601	Pickup - Pickup unit complete.....
		3735	Screw assembly - Pickup mounting screw assembly - Comprising one screw,one nut and one washer-
		S-1364	Screw-- Pickup cover mounting screw-

REPL REPLACEMENT PARTS MODELS C10-1, C10-2, D10-1 & D10-2 Continued

STOCK NO.	DESCRIPTION	STOCK NO.	DESCRIPTION
	OPERATING MECHANISM (Brown Type)	3778	Spring - Main lever and link assembly tension spring -
6502	Cam - Cam and gear assembly.....		MOTOR ASSEMBLIES
6808	Clutch - Trip lever friction clutch.	9012	Motor-105-125 volts-25 cycles (M1)
11558	Cover - Metal cover for trip lever and friction finger assembly.....	9011	Motor-105-125 volts-60 cycles (M1)
6809	Finger - Manual index lever finger assembly.....	4562	Suspension Spring-Motor Mounting spring, washer, and stud assembly- Comprising six springs, six cup washers, three spring washers and three studs.....
3670	Finger - Friction finger assembly...		AUTOMATIC SWITCH ASSEMBLIES (Brown Type)
11554	Lever - Manual index lever-less pin.	3994	Cover - Motor switch cover.....
11556	Lever - Main lever and link assembly	10184	Plate - Automatic brake latch plate -
11557	Lever - Main spring lever.....	10174	Springs - Automatic brake springs.
3677	Lever - Pickup arm cable lever assembly - Comprising lever with cable screw, spring and nut.....	6805	Switch Assembly - Automatic switch, complete.....
11555	Lever - Trip lever and friction clutch assembly.....	3322	Switch - Motor switch (S15).....
6503	Pawl - Trip pawl assembly.....		AUTOMATIC SWITCH ASSEMBLIES (Grey Type)
4124	Plate - Eject arm actuating plate assembly.....	10184	Plate - Automatic brake latch plate with mounting screws -
4563	Screw - Cable lever screw and nut-	10174	Springs - Automatic brake springs-
4564	Screw - Manual index lever finger set screw	3322	Switch - Motor switch complete....
4059	Screw - Trip lever clutch tension adjustment screw -	3736	Rod - Automatic brake trip rod with lock nut -
4566	Screw - Special screw used to fasten main lever and link assembly bushing -	4579	Switch - Toggle type - Motor starting switch.....
11559	Spacer - Pickup arm mounting spacer		MOTOR BOARD ASSEMBLIES (Brown Type)
4127	Spring - Actuating spring -	11553	Escutcheon - Index escutcheon engraved Manual - 12-10.....
3666	Spring - Cable lever tension spring -	3764	Nut - Cap nut for motor board suspension assembly -
4565	Spring - Manual index lever finger tension spring -	3672	Pin - Manual index pin.....
4061	Spring - Main spring lever tension spring -	11551	Rest - Pickup rest.....
2893	Spring - Trip lever latch plate tension spring -	3654	Roller - Pickup arm cable guide roller - Comprising bracket roller and guide pin.....
2917	Washer - Spring washer, "U" type-	3763	Suspension Spring - Suspension spring, washer and bolt assembly for motor board - Comprising one bolt, two cup washers, two springs, two "C" washers and one cap nut.....
	OPERATING MECHANISM ASSEMBLIES (Grey Type)	4671	Switch - Operating switch - toggle type (S-14).....
6502	Cam - Cam and gear assembly.....	11542	Cover - Turntable cover.....
3670	Finger - Friction finger assembly.	11599	Turntable, complete.....
6504	Lever - Main lever and link assembly.....		MOTOR BOARD ASSEMBLIES (Grey Type)
S-1492	Lever - Manual index lever.....	3674	Escutcheon - Engraved Manual-12-10
3675	Lever - Trip lever assembly.....	3764	Nut - Cap nut for motor board suspension assembly-
3677	Lever - Cable lever assembly.....	3672	Pin - Manual index pin.....
3777	Motor mounting spring, washer and stud assembly-Comprising three upper and three lower springs, six cup washers, three spring washers, and three studs.....	3680	Rest - Pickup rest.....
6503	Pawl - Trip pawl assembly.....	3763	Suspension spring, washer and bolt assembly for motor board - comprising one bolt, two cup washers, two springs, one "C" washer, and one cap nut.....
3667	Plate -Actuating plate assembly...		
2897	Screw -Cable lever tension spring adjustment screw and nut -		
3669	Screw - Special screw for holding main lever to actuating plate -		
3673	Screw - Manual index lever adjustment screw and nut-		
2893	Spring - Trip lever tension spring-		
3653	Spring - Phosphor bronze - Trip pawl spring -		
3666	Spring - Cable lever tension spring -		
3676	Spring - Cam and gear tension spring -		

REPL REPLACEMENT PARTS

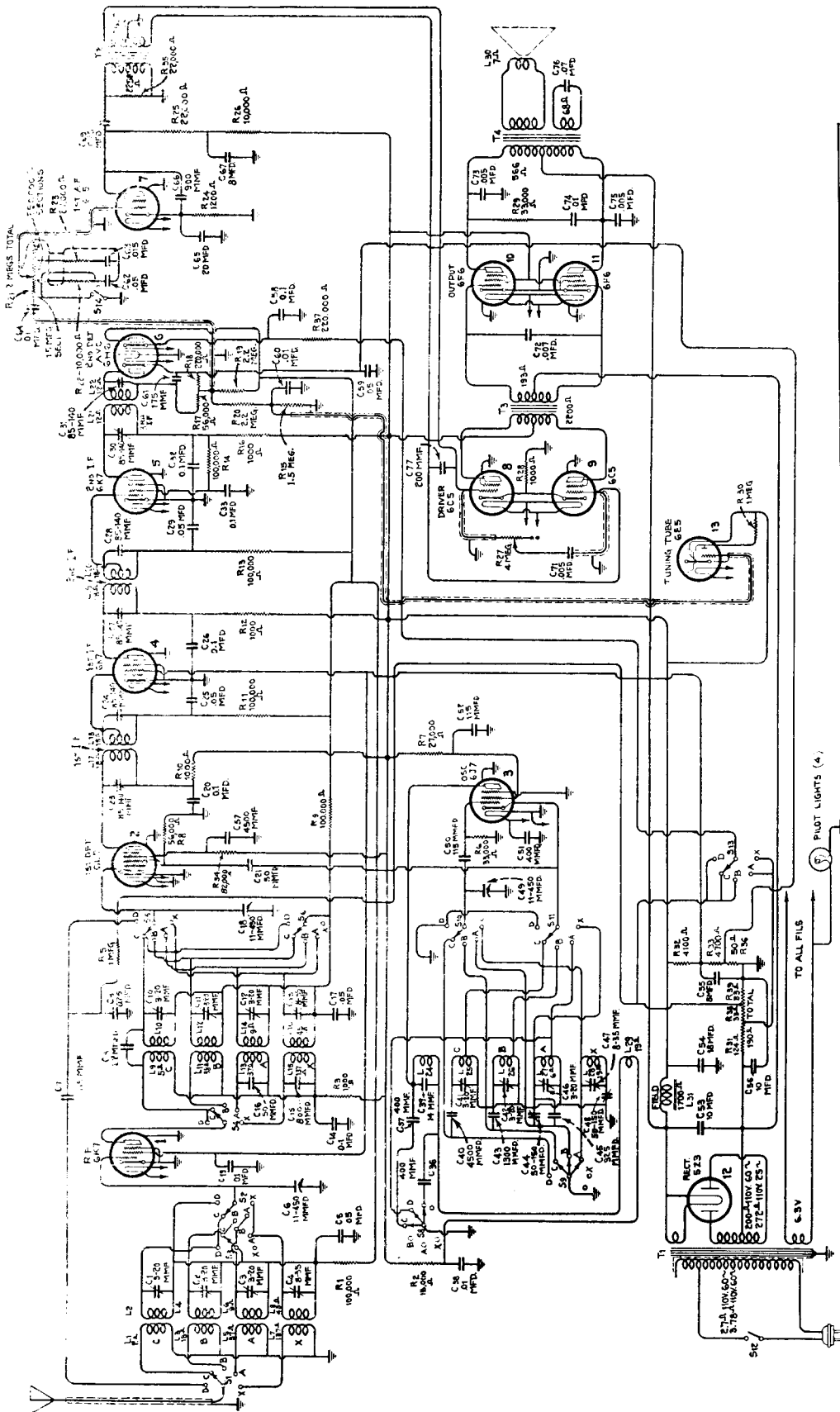
MODELS C10-1, C10-2, D10-1 & D10-2 Continued

STOCK NO.	DESCRIPTION	STOCK NO.	DESCRIPTION
3654	Roller-Guide roller assembly - Comprising bracket, roller and guide pin.....	11276	Escutcheon - Radiotron tuning lamp escutcheon.....
3338	Ring - Clamp ring assembly - Comp- rising spring, latch lever and stud.....	11379	Escutcheon - Station selector escutcheon and crystal.....
3340	Washer - Thrust washer.....	11346	Knob - Station selector knob....
3341	Pin - Groove pin.....	11347	Knob - Volume control, tone con- trol, power switch or range switch knob.....
3342	Spring - Latch spring-located on clamp ring.....	*3759	Receptacle - Needle receptacle with mounting screws.....
3344	Cover - Grease retainer cover....	11382	Resistor - 1 megohm - Carbon type - 1/10 Watt (R-27).....
3346	Bushing-Speed shifter lever bushing.....	*6647	Shade - Compartment lamp shade
3347	Spring - Speed shifter lever spring.....	©1711	Shade - Phonograph compartment lamp shade.....
3678	Sleeve - Sleeve complete with ball race.....	11348	Screw No. 8-32 - 7/16 in. head- less cupped point set screw for knob (Stock No.11346)-
3679	Lever - Speed shifter lever with mounting screws.....	11381	Socket - Tuning lamp socket and cover.....
9010	Turntable complete.....	11349	Spring - Retaining spring for knob (Stock No.11347)-
MISCELLANEOUS ASSEMBLIES			
*6646	Base - Phonograph compartment lamp base and socket.....	11714	Transformer-Phonograph input transformer-Comprising 1 trans- former, 1 choke coil, 3 resistors and 3 capacitors (T-4, L-25, C-65, C-66, C-67, R-33, R-34, R-36).....
©11881	Base - Phonograph Compartment lamp base.....	11715	Volume Control-Phonograph volume control (S-16, S-17, R-35).....
*4546	Bearing - Selector flexible shaft bearing and nut with set screw-Fastened to rear of motor compartment.....	REPRODUCER ASSEMBLIES	
©4391	Box - Needle box.....	8059	Board - Reproducer terminal board (2 terminals).....
*10241	Box - Needle box with lid.....	8060	Bracket - Output transformer mounting bracket.....
11191	Bracket - Radiotron tuning lamp mounting bracket-less clamp (Stock No.11192).....	11304	Cable - Reproducer cable - comp- lete with connector.....
11319	Cable - Radiotron tuning lamp cable and plug-approximately 25-in. long.....	8058	Clamp - Cone rim clamp -
11716	Cable - Two conductor shielded cable - Volume control "H-J and F" to chassis cable (Stock No.11712).....	11189	Coil - Field coil, magnet and cone housing (L-22).....
11717	Cable - Five conductor shielded cable from volume control "A-B-C-D-G-K" to input trans- former terminals No.4 and No.7.....	8056	Cone - Reproducer cone (L-21)...
11192	Clamp - Radiotron tuning lamp mounting clamp - less bracket (Stock No.11191).....	5039	Connector - 4-prong male connec- tor plug for reproducer.....
6123	Connector - Four contact male connector plug for cable (Stock No. 11717).....	5040	Connector - 4-contact female connector socket for reproduc- er cable.....
11570	Connector - Four contact male connector for cable (Stock No. 11716).....	9620	Reproducer - complete.....
		8057	Transformer - Output transformer (T-3, C-42).....

* Used on grey automatic mechanisms.

© Used on brown automatic mechanisms.

Model C12-1 A.C. Receiver



ALIGNMENT PROCEDURE

R.F. & Det. (X)	100 K.C.
R.F. & Det. (A)	1700 K.C.
R.F. & Det. (B)	6,000 K.C.
R.F. & Det. (C)	18,000 K.C.
Oscillator (X)	400 K.C.
Oscillator (A)	1700 K.C.
Oscillator (B)	6,000 K.C.
Oscillator (C)	18,000 K.C.

Intermediate Frequency
 Peak all R.F. stages.
 Align I.F. stages by means of oscillograph.

See Replacement Parts List (over page)

REPLACEMENT PARTS—MODEL C12-1

Insist on genuine factory tested parts, which are readily identified and may be purchased from authorized dealers.

STOCK NO.	DESCRIPTION	STOCK NO.	DESCRIPTION
RECEIVER ASSEMBLIES			
4427	Bracket - Low frequency tone control switch, volume control or high frequency tone control mounting bracket.....	11285	Resistor - 1000 ohms - Flexible type (R-12,R-16).....
5237	Bushing - Variable capacitor mounting assembly -	11283	Resistor - 1200 ohms - Carbon type 1/4 Watt (R-24).....
11255	Cable - Radiotron tuning lamp cable complete with socket.....	3381	Resistor -10,000 ohms - Carbon type 1/4 Watt (R-26).....
5241	Capacitor - Adjustable capacitor (C-44,C-48).....	5114	Resistor -15,000 ohms - Carbon type 1/4 Watt (R-2).....
11286	Capacitor - 14 Mmfd. (C-39).....	8070	Resistor -22,000 ohms - Carbon type 1/2 Watt (R-25).....
11292	Capacitor - 22 Mmfd. (C-8).....	11305	Resistor -22,000 ohms - Carbon type 1/4 Watt (R-35).....
11289	Capacitor - 50 Mmfd. (C-16,C-21).....	8065	Resistor -27,000 ohms - Carbon type 1/2 Watt (R-7).....
11291	Capacitor -115 Mmfd. (C-7,C-50, C-52).....	5033	Resistor -33,000 ohms - Carbon type 1 - Watt (R-29).....
11295	Capacitor -200 Mmfd. (C-77).....	11300	Resistor -33,000 ohms - Carbon type 1/10 Watt (R-6).....
11294	Capacitor -325 Mmfd. (C-45).....	11282	Resistor -56,000 ohms - Carbon type 1/10 Watt (R-8).....
11290	Capacitor -400 Mmfd. (C-36,C-37, C-51).....	8064	Resistor -82,000 ohms - Carbon type 1/2 Watt (R-34).....
11269	Capacitor -800 Mmfd. (C-15).....	3118	Resistor -100,000 ohms -Carbon type 1/4 Watt (R-11,R-13,R-14).....
11293	Capacitor -900 Mmfd. (C-66).....	11281	Resistor -100,000 ohms -Carbon type 1/10 Watt (R-1, R-9).....
11335	Capacitor -1300 Mmfd. (C-43).....	5158	Resistor -220,000 ohms -Carbon type 1/4 Watt (R-37).....
11287	Capacitor -4500 Mmfd. (C-40,C-57).....	3033	Resistor - 1 megohm - Carbon type 1/4 Watt (R-5).....
4838	Capacitor -.005 Mfd. (C-73,C-75).....	4241	Resistor - 1.5 Megohms - Carbon type - 1/4 Watt (R-15).....
5242	Capacitor -.005 Mfd. High frequency tone control capacitor (C-71).....	11151	Resistor - 2.2 megohm - Carbon type - 1/4 Watt (R-19,R-20).....
5148	Capacitor -.007 Mfd. (C-72).....	11209	Resistor - Voltage divider resistor - Comprising one 4100 ohms, one 4700 ohm, one 50 ohm, two 33 ohm and one 124 ohm sections (R-31, R-32,R-33,R-36,R-38,R-39).....
4624	Capacitor -.01 Mfd. (C-64).....	5249	Shield - Antenna, Detector or Oscillator coil shield.....
4883	Capacitor -.01 Mfd. (C-38,C-60).....	5250	Shield - Intermediate frequency transformer.....
4937	Capacitor -.01 Mfd. (C-74).....	11273	Shield - Rectifier Radiotron shield
4836	Capacitor -.05 Mfd. (C-5,C-17, C-25,C-29,C-59).....	4794	Socket - 4 contact rectifier Radiotron socket.....
4841	Capacitor -.1 Mfd. (C-19,C-58).....	11197	Socket - 6 contact Radiotron socket - for first audio or driver radiotrons (6C5).....
4885	Capacitor -.1 Mfd. (C-14,C-20, C-26,C-32,C-33).....	11198	Socket - 7 contact Radiotron socket- For 6K7, 6H6, or 6F6, radiotrons..
4840	Capacitor -.25 Mfd. (C-9).....	11278	Socket - 7 contact oscillator Radiotron (6J7) socket.....
3597	Capacitor-.25 Mfd. (C-69).....	11279	Socket - 7 contact First Detector Radiotron (6L7) socket.....
11203	Capacitor - 10 Mfd. (C-53).....	11199	Socket - Dial lamp socket.....
5212	Capacitor - 18 Mfd. (C-54).....	5224	Switch - Low frequency tone control switch and power switch (S-12,S-14)
11204	Capacitor Pack - Comprising one 10 Mfd., one 20 Mfd., and two 8 Mfd. capacitors (C-65,C-67).....	5225	Switch - Range switch (S-1,S-2,S-3, S-4,S-5,S-6,S-8,S-10,S-11,S-13)...
11208	Capacitor Pack - Comprising one .015 Mfd. and one .05 Mfd. capacitor and one 27,000 ohm and one 10,000 ohm resistors (R-22,R-23).	5238	Terminal - Antenna terminal board and clip with insulating strip and rivets.....
11272	Clamp - Cable clamp - Located on top surface of chassis near variable tuning condenser	5222	Tone Control - High frequency tone control (R-27).....
4693	Clamp - Electrolytic capacitor mounting clamp - For Stock No. 11204.....	5232	Transformer - Audio driver transformer (T-3).....
5215	Coil - Antenna coil - A and C Bands (L-1, L-2, L-5, L-6, C-1, C-3).....	5228	Transformer - First Intermediate frequency transformer (L-17,L-18, C-23,C-24).....
5218	Coil - Antenna coil - X and B Bands (L-3,L-4,L-7,L-8,C-2,C-4).....	5234	Transformer - Interstate Audio transformer (T-2).....
5216	Coil - Detector coil -A and C Bands (L-9,L-10,L-13,L-14,C-10, C-12).....	8061	Transformer - Power transformer - 105-125 Volts 50/60 Cycles (T-1)...
5219	Coil - Detector Coil -X and B Bands (L-11,L-12,L-15,L-16,C-11, C-13).....	8062	Transformer - Power transformer - 105-125 Volts 25/50 Cycles.....
5217	Coil - Oscillator coil - A and C Bands (L-25,L-27,C-41,C-46)....		
5220	Coil - Oscillator coil - X and B Bands (L-26,L-28,L-29,C-42,C-47)		
5221	Coil - Oscillator coil D Band(L-24)		
5214	Condenser - 3 gang variable tuning condenser - (C-6,C-18,C-49)....		
5226	Lamp - Pilot lamp -		
8041	Plate - I.F. or R.F. coil shield locking plate -		
5112	Resistor - 1000 ohms - Carbon type 1/4 Watt (R-3,R-10,R-28).....		

REPLACEMENT PARTS MODEL C12-1 (Continued)

Insist on genuine factory tested parts, which are readily identified and may be purchased from authorized dealers.

STOCK NO.	DESCRIPTION	STOCK NO.	DESCRIPTION
11206	Transformer - Second Intermediate frequency transformer (L-19,L-20, C-27,C-28).....	5211	Bolt - Reproducer mounting bolt assembly -
5230	Transformer - Third Intermediate frequency transformer (L-21,L-22, C-30,C-31,C-61,R-17,R-18).....	11191	Bracket - Radiotron tuning lamp mounting bracket - Less clamp.....
11205	Volume Control - Complete (R-21)....	11192	Clamp - Radiotron tuning lamp mounting clamp - Less bracket.....
MISCELLANEOUS ASSEMBLIES			
5243	Arm - Band indicator operating arm..	11193	Cover - Reproducer cover.....
10194	Ball - Steel ball for drive assembly	11276	Escutcheon - Radiotron tuning lamp escutcheon.....
8054	Cam - Five position cam - For station selector drive assembly.....	11379	Escutcheon - Station selector escutcheon and crystal.....
4422	Clutch - Tuning condenser drive clutch assembly - Comprising drive shaft, balls, ring, spring and washers assembled.....	11346	Knob - Station selector knob.....
8048	Coupling - Flexible coupling for variable capacitors - Includes indicator shaft.....	11347	Knob - Volume control, tone control range, switch or power switch knob.
11336	Dial - Dial scale with mounting rivets.....	11382	Resistor - 1 megohm - Carbon type 1/10 Watt - Used in tuning tube socket (R-30).....
8045	Disc - Drive disc and gear assembly.	5210	Screw - Chassis mounting screw assembly -
11380	Drive - Tuning condenser drive assembly complete.....	11348	Screw - 8-32 x 7/16" Headless cupped point set screw for knob No. 11346
51570	Escutcheon - Dial escutcheon and vernier label.....	11381	Socket - Radiotron tuning tube socket and cover.....
8050	Gear - Gear sector and band indicator operating link - (Link connects to arm on band switch).....	11349	Spring - Retaining spring for knob (Stock No. 11347)
8046	Gear - Indicator shaft drive gear and vernier idler with one spring..	REPRODUCER ASSEMBLIES	
8053	Indicator - Station selector pointer	8059	Board - Terminal board (2 terminals)
8051	Link - Complete with roller and spring.....	8060	Bracket - Output transformer mounting bracket.....
8049	Pinion - Vernier pointer drive pinion and shaft.....	11200	Cable - Reproducer cable.....
4669	Screw - 8-32x5/32" Square head set screw for drive assembly -	8058	Clamp - Cone rim clamp -
8047	Spring - Coil spring for indicator shaft drive gear and vernier idler (Stock No. 8046).....	11189	Coil - Field coil - magnet and cone housing (L-31).....
8052	Spring - Coil spring for link --	8056	Cone - Reproducer cone.....
8042	Stud - Band indicator operating arm stud	5039	Connector - 4 contact male connector for reproducer.....
		5040	Connector - 4 contact female connector for reproducer.....
		9620	Reproducer - complete.....
		8057	Transformer - Output transformer (T-4,C-76).....

MODEL C14-1 REPLACEMENT PARTS

Insist on genuine factory tested parts, which are readily identified and may be purchased from authorized dealers.

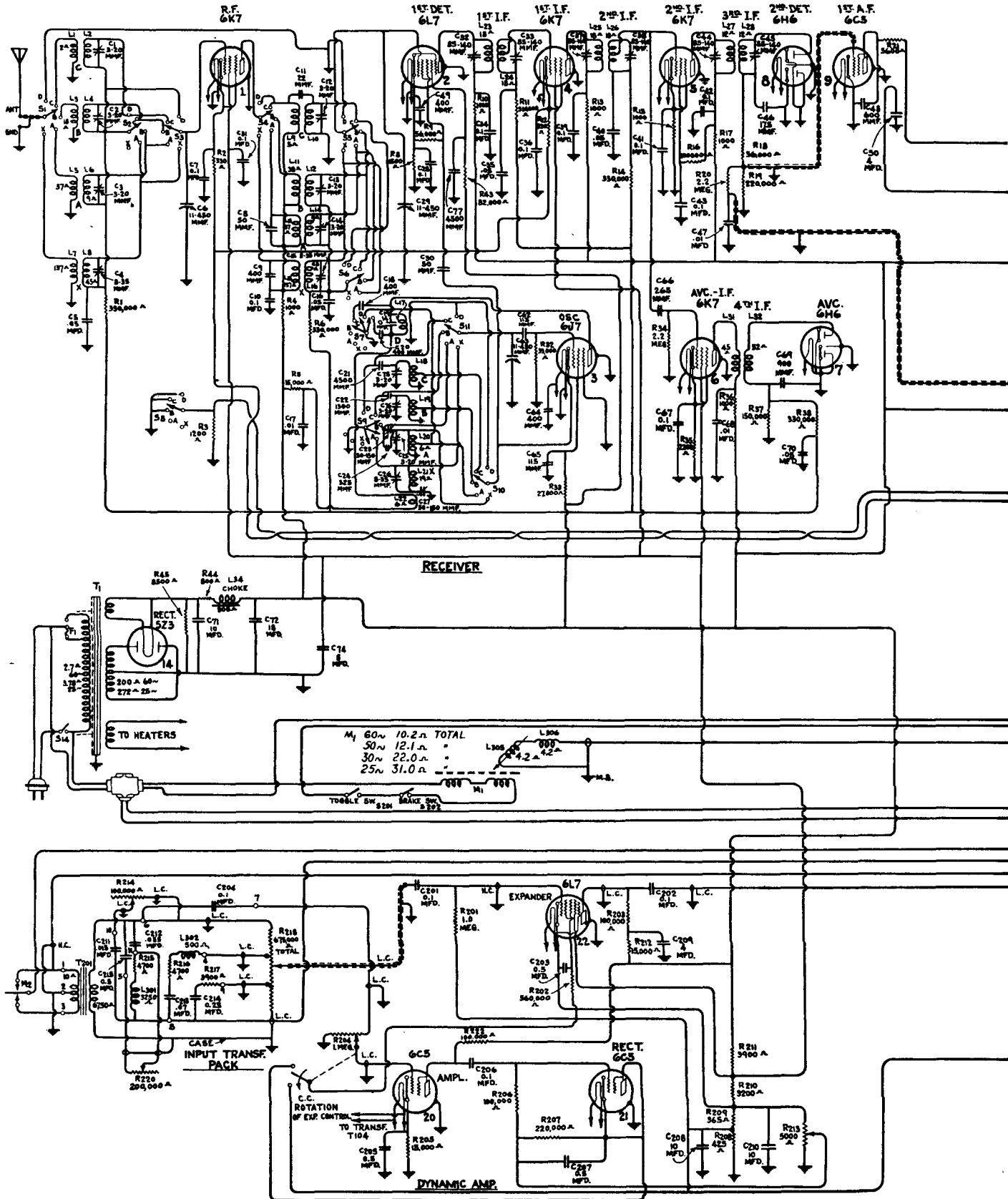
STOCK NO.	DESCRIPTION	STOCK NO.	DESCRIPTION
RECEIVER ASSEMBLIES			
4427	Bracket - Low frequency tone control switch, volume control or high frequency tone control mounting bracket.....	11202	Foot - Chassis mounting foot and bracket assembly -
5237	Bushing - Variable capacitor mounting bushing assembly-	10907	Fuse - 3 ampere fuse - F1 -
11255	Cable - Radiotron tuning lamp cable complete with socket.....	5226	Lamp - Dial lamp -
5241	Capacitor - Adjustable capacitor (C-23, C-27).....	5239	Mounting - Fuse mounting for 110 volt instrument.....
11286	Capacitor - 14 Mmfd. capacitor(C-19)	8041	Plate - I.F. or R.F. coil shield locking plate -
11292	Capacitor - 22 Mmfd. capacitor(C-11)	5233	Reactor - Coupling reactor..(L-29).
11289	Capacitor - 50 Mmfd. capacitor (C-8, C-30).....	11296	Resistor - 330 ohms - Carbon type - 1/4 Watt (R-2,R-12).....
11291	Capacitor -115 Mmfd. capacitor (C-62, C-65).....	11285	Resistor -1000 ohms - Flexible type resistor (R-13,R-17,R-36).....
11295	Capacitor -200 Mmfd. capacitor(C-55)	5112	Resistor -1000 ohms - Carbon type 1/4 Watt (R-4,R-10,R-15,R-29).....
11294	Capacitor -325 Mmfd. capacitor(C-24)	11283	Resistor -1200 ohms - Carbon type 1/4 Watt (R-3).....
11290	Capacitor -400 Mmfd. capacitor (C-9,C-18,C-20,C-49,C-65).....	4408	Resistor -1500 ohms - Carbon type 1/4 Watt (R-8).....
11299	Capacitor -600 Mmfd. capacitor(C-48)	5159	Resistor -2200 ohms - Carbon type 1/4 Watt (R-35).....
3784	Capacitor -900 Mmfd. capacitor(C-69)	11298	Resistor -5600 ohms - Carbon type 1 Watt (R-21).....
11335	Capacitor -1300 Mmfd. capacitor (C-22).....	8043	Resistor -10,000 ohms - Carbon type 2 Watts (R-22).....
11287	Capacitor -4500 Mmfd. capacitor (C-21,C-77).....	3998	Resistor -15,000 ohms - Carbon type 1/4 Watt (R-30).....
4838	Capacitor -.005 Mfd. capacitor(C-58, C-59).....	5114	Resistor -15,000 ohms - Carbon type 1 Watt (R-5).....
5242	Capacitor -.005 Mfd. High Frequency tone control capacitor (C-56).....	8065	Resistor - 27,000 ohms -Carbon type 1/2 Watt (R-33).....
5148	Capacitor -.007 Mmfd. capacitor (C-57).....	11300	Resistor -33,000 ohms - Carbon type 1/10 Watt(R-32).....
4937	Capacitor -.01 Mfd. capacitor(C-60)	5033	Resistor -33,000 ohms - Carbon type 1 Watt (R-31).....
4858	Capacitor -.01 Mfd. capacitor(C-17, C-47,C-68).....	11282	Resistor -56,000 ohms - Carbon type 1/10 Watt (R-9).....
4836	Capacitor -.05 Mfd. capacitor(C-5, C-16,C-35,C-40,C-70).....	8064	Resistor -82,000 ohms - Carbon type 1/2 Watt (R-43).....
4835	Capacitor -.1 Mfd. capacitor(C-31)	5145	Resistor -100,000 ohms - Carbon type 1/4 Watt (R-16).....
4841	Capacitor -.1 Mfd. capacitor(C-7, C-28,C-36,C-41,C-67).....	5027	Resistor -150,000 ohms - Carbon type 1/4 Watt (R-37).....
4885	Capacitor -.1 Mfd. capacitor(C-10, C-34,C-39,C-42,C-43).....	11297	Resistor -330,000 ohms - Carbon type -1/10 Watt (R-1,R-6).....
3597	Capacitor -.25 Mfd. capacitor(C-51)	5108	Resistor -330,000 ohms - Carbon type - 1/4 Watt (R-11,R-14,R-38)..
11203	Capacitor - 10 Mfd. capacitor(C-71)	3033	Resistor - 1 Megohm - Carbon type 1/4 Watt (R-7).....
5212	Capacitor - 18 Mfd. capacitor(C-72)	11151	Resistor - 2.2 Megohm - Carbon type 1/4 Watt (R-20).....
5213	Capacitor Pack - Comprising one 4. Mfd., one 10 Mfd. and one 8 Mfd. capacitors (C-50,C-73,C-74).....	5235	Resistor - Voltage divider resistor 3 sections - 4100 ohms - 4750 ohms and 190 ohms (R-40,R-31,R-42).....
5236	Capacitor Pack - Comprising two .5 Mfd. capacitors, one 680 ohm resistor and one 820 ohm resistor (C-53,C-54,R-23,R-27).....	5249	Shield - Antenna detector or oscillator coil shield.....
4693	Clamp - Electrolytic capacitor mounting clamp - (For stock No. 5213).....	5250	Shield - Intermediate frequency transformer shield.....
5215	Coil - Antenna coil - A and C Bands (L-1,L-2,L-5,L-6,C-1,C-3)..	11273	Shield - Radiotron shield.....
5218	Coil - Antenna coil - X and B Bands (L-3,L-4,L-7,L-8,C-2,C-4)..	4794	Socket - 4 contact Radiotron socket For Radiotron 5Z3.....
5216	Coil - Detector coil - A and C Bands (L-9,L-10,L-13,L-14,C-12, C-14).....	11197	Socket - 6 contact Radiotron socket For Radiotron 6C5.....
5219	Coil - Detector coil X and B Bands (L-11,L-12,L-15,L-16, C-13,C-15).....	11198	Socket - 7 contact Radiotron socket For Radiotron 6K7,6H6 (2nd Detector only) or 6F6.....
5217	Coil - Oscillator coil - A and C Bands (L-18,L-20,C-25,C-75).....	11278	Socket - 7 contact Radiotron socket For Radiotron 6J7 (oscillator)....
5220	Coil - Oscillator coil - X and B Bands (L-19,L-22,C-26,C-76).....	11280	Socket - 7 contact Radiotron socket For Radiotron 6L7 (first detector)
5221	Coil - Oscillator coil - D Band (L-17).....	11196	Socket - 8 contact Radiotron socket For Radiotron 6H6 (as AVC only)...
5214	Condenser - 3 gang variable tuning condenser (C-6,C-29,C-63).....	11199	Socket - Dial lamp socket.....
5240	Cover - Fuse cover plate.....	5224	Switch - Low frequency tone control and power switch (S-13,S-14).....

REPLACEMENT PARTS (Continued) MODEL C14-1

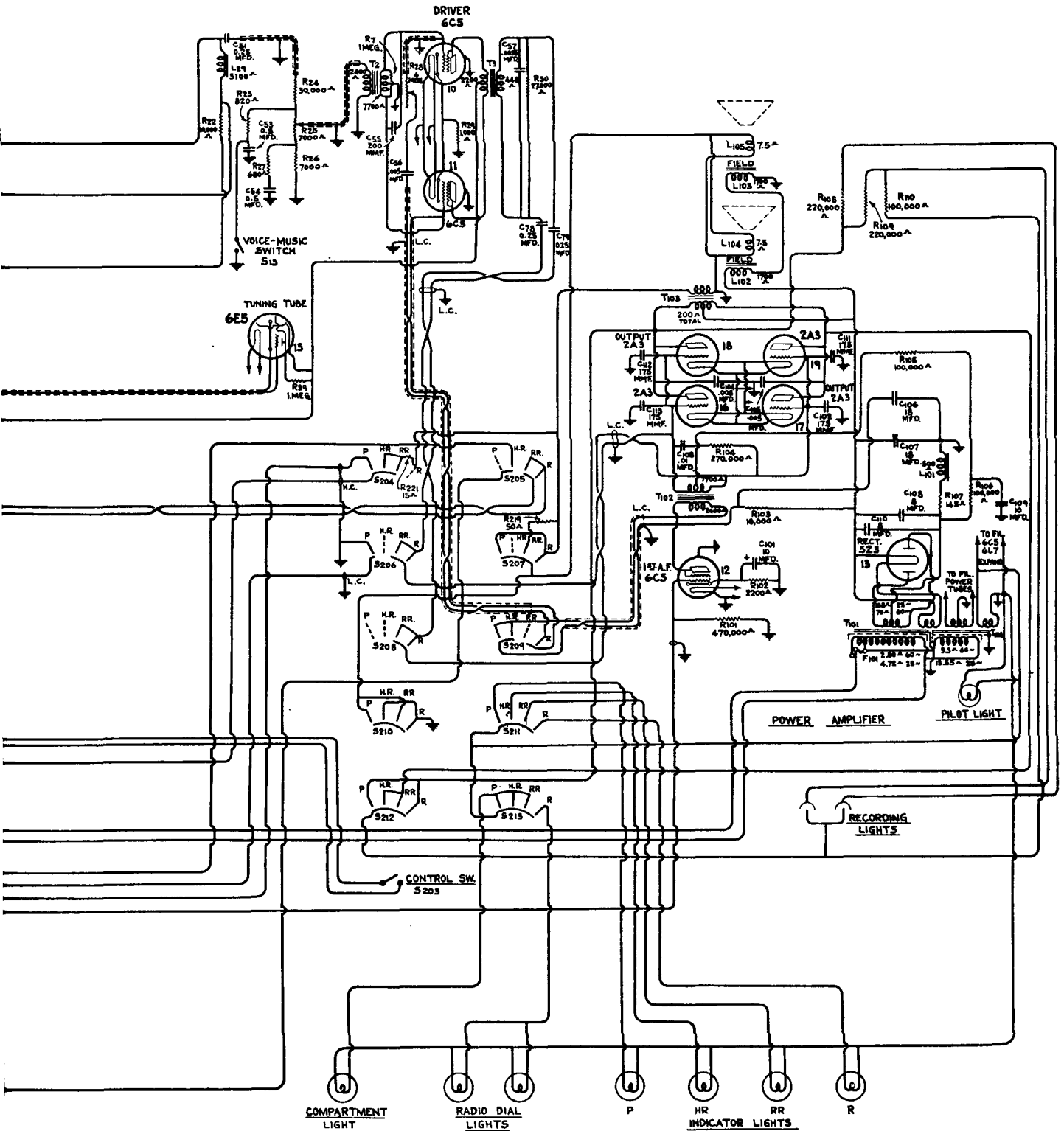
Insist on genuine factory tested parts, which are readily identified and may be purchased from authorized dealers.

STOCK NO.	DESCRIPTION	STOCK NO.	DESCRIPTION
5225	Switch - Range switch (S-1,S-2, S-3,S-4,S-5,S-6,S-7,S-8,S-9,S-10, S-11).....	4669	Screw - Square head No. 8-32 x 5/32 set screw
5238	Terminal - Antenna terminal board with clip, insulating strip and rivets.....	8047	Spring - Coil spring for indicator shaft drive gear and vernier idler
5222	Tone Control - High frequency tone control (R-28).....	8052	Spring - Coil spring for link -
5232	Transformer - Audio driver transformer (T-3).....	8042	Stud - Band indicator operating arm stud
5228	Transformer - First intermediate frequency transformer (L-23,L-24, C-32,C-33).....	LOUDSPEAKER ASSEMBLY	
5231	Transformer - Fourth intermediate frequency transformer (L-31,L-32)	8059	Board - Reproducer terminal board (2 terminals).....
5234	Transformer - Interstage transformer (T-2).....	8060	Bracket - Output transformer mounting bracket.....
8061	Transformer - Power transformer - 105-125 volts 50/60 cycles (T-1).	11200	Cable - Reproducer cable - Complete with Connector.....
8062	Transformer - Power transformer - 105-125 volts 25-50 cycles.....	8058	Clamp - Cone rim clamp -
5229	Transformer - Second intermediate frequency transformer (L-25,L-26, C-37,C-38,C-66,R-34).....	11189	Coil - Field coil, magnet and cone housing (L-33).....
5230	Transformer - Third intermediate frequency transformer (L-27,L-28, C-44,C-45,C-46,R-18,R-19).....	8056	Cone - Reproducer cone (L-30).....
5223	Volume Control (R-24,R-25,R-26)....	5039	Connector - 4 prong male connector plug for reproducer.....
DRIVE ASSEMBLIES		5040	Connector - 4 contact female connector socket for reproducer cable.
5243	Arm-Band indicator operating arm.	9620	Reproducer - Complete.....
10194	Ball - Steel ball for drive assembly	8057	Transformer - Output transformer (T-4, C-61).....
8054	Cam - Five position cam for station selector drive assembly....	MISCELLANEOUS ASSEMBLY	
4422	Clutch - Tuning condenser drive clutch assembly comprising shaft, balls, ring, spring and washers assembled.....	5211	Bolt - Speaker mounting bolt assembly
8048	Coupling - Flexible coupling for variable capacitor (includes indicator shaft).....	11191	Bracket - Radiotron tuning lamp mounting.....
11336	Dial - Dial scale with mounting rivets.....	11192	Clamp - Radiotron tuning lamp mounting clamp - less bracket....
8045	Disc - Drive disc and gear assembly.....	11193	Cover - Reproducer cover.....
11380	Drive - Tuning condenser drive assembly complete.....	11276	Escutcheon - Tuning lamp escutcheon.....
8044	Escutcheon - Dial escutcheon with vernier scale.....	11379	Escutcheon - Station selector escutcheon and crystal.....
8046	Gear - indicator shaft drive gear and vernier idler with one spring.....	11346	Knob - Station selector knob.....
8050	Gear - Gear sector and band indicator operating link (link connects to arm on band switch)....	11347	Knob - Volume control - tone control, power switch or range switch knob.....
8053	Indicator - Station selector indicator pointer.....	11382	Resistor - 1 Megohm - Carbon type 1/10 Watt (R-39).....
8051	Link - Complete with roller and spring.....	11348	Screw - 8-32-7/16" headless set screw for knob -
8049	Pinion - Vernier pointer drive pinion and shaft.....	5210	Screw - Chassis mounting screw assembly -
		11381	Socket - Tuning tube socket and cover.....
		11349	Spring - Retaining spring for knob-

Model D22-1 RCA Victrola



Model D22-1 RCA Victrola



ALIGNMENT PROCEDURE

R.F., Det. & Osc. (X)	400 K.C.
R.F. & Det. (A)	1700 K.C.
R.F., Det. & Osc. (B)	6,000 K.C.
R.F., Det. & Osc. (C)	18,000 K.C.
Oscillator (A)	600 K.C., 1700 K.C.
Intermediate Frequency	460 K.C.

Peak all R.F. stages.

Note:—Band (D) is untuned. Alignment is obtained by dressing coil bus leads in relation to the circuit components.

REPLACEMENT PARTS—MODEL D22-1

Insist on genuine factory tested parts, which are readily identified and may be purchased from authorized dealers.

Stock No.	DESCRIPTION	Stock No.	DESCRIPTION
RECEIVER ASSEMBLIES			
5243	Arm—Band indicator operating arm with stud, set screws, nut, and washer.	5226	Lamp—Dial lamp—
4427	Bracket—High frequency tone control, low frequency tone or power switch or volume control mounting bracket.	5239	Mounting—Fuse mounting.
11591	Bur—Plug button.	4153	Plug—Female section four-contact connector plug—used on cables—Stock Nos. 11486, 11503, 11569.
11489	Cable—Two conductor cable with three way connector plug—Stock No. 11490.	11490	Plug—Three-way plug for cable—Stock No. 11489.
11487	Cable—Two conductor shielded cable with female section of two contact connector plug—Stock No. 11488—To choke—(L34).	5233	Reactor—Coupling reactor—(L29).
11486	Cable—Two conductor shielded voltage supply cable with female section of four contact connector plug—Stock No. 4153—To (1) Terminal board and R19, (1) Terminal board, R3 and S8 shield to S205—Expander unit.	11488	Receptacle—Two contact female section of connector—used with cables—Stock Nos. 11487, 11502, 11513, 11567, 11571.
11255	Cable—Four conductor tuning tube cable with connector socket—Stock No. 11381.	11718	Resistor—Wire wound resistor—800-8500 Ohms—(R44, R45).
5241	Capacitor—Adjustable capacitor—(C23, C27).	11296	Resistor—330 Ohms—Carbon type— $\frac{1}{4}$ watt—(R2, R12)—
5242	Capacitor—High frequency tone capacitor—005 Mfd.—(C56).	11285	Resistor—1000 ohms—Flexible type resistor—(R13, R17, R36)—
11286	Capacitor—14 MMfd.—(C19).	5112	Resistor—1000 ohms—Carbon type— $\frac{1}{4}$ watt—(R4, R10, R15, R29)—
11292	Capacitor—22 MMfd.—(C11).	11233	Resistor—1200 Ohms—Carbon type— $\frac{1}{4}$ watt—(R3, R31)—
11289	Capacitor—50 MMfd.—(C8, C30).	4408	Resistor—1500 Ohms—Carbon type— $\frac{1}{4}$ watt—(R8)—
11291	Capacitor—115 MMfd.—(C62, C65).	5159	Resistor—2200 Ohms—Carbon type— $\frac{1}{4}$ watt—(R35)—
11295	Capacitor—200 MMfd.—(C55).	11298	Resistor—5600 Ohms—Carbon type—1 watt—(R21)—
11294	Capacitor—325 MMfd.—(C24).	8043	Resistor—10,000 Ohms—Carbon type—2 watts—(R22).
11290	Capacitor—400 MMfd.—(C9, C18, C20, C49, C64).	5114	Resistor—15,000 Ohms—Carbon type—1 watt—(R5).
11299	Capacitor—600 MMfd.—(C48).	11400	Resistor—27,000 Ohms—Carbon type— $\frac{1}{4}$ watt—(R30)—
3784	Capacitor—900 MMfd.—(C69).	8065	Resistor—27,000 Ohms—Carbon type— $\frac{1}{2}$ watt—(R33)—
11335	Capacitor—1300 MMfd.—(C22).	11300	Resistor—33,000 Ohms—Carbon type— $\frac{1}{10}$ watt—(R32)—
11287	Capacitor—4500 MMfd.—(C21, C77).	11282	Resistor—56,000 Ohms—Carbon type— $\frac{1}{10}$ watt—(R9)—
5005	Capacitor—0.0035 Mfd.—(C57).	8064	Resistor—82,000 Ohms—Carbon type— $\frac{1}{2}$ watt—(R43)—
4858	Capacitor—0.01 Mfd.—(C17, C47, C68).	3118	Resistor—100,000 Ohms—Carbon type— $\frac{1}{4}$ watt—(R16)—
4836	Capacitor—0.05 Mfd.—(C5, C16, C35, C40, C70).	5027	Resistor—150,000 Ohms—Carbon type— $\frac{1}{4}$ watt—(R37)—
11414	Capacitor—0.1 Mfd.—(C31).	5108	Resistor—330,000 Ohms—Carbon type— $\frac{1}{4}$ watt—(R11, R14, R38)—
4885	Capacitor—0.1 Mfd.—(C10, C34, C39, C42, C43).	11297	Resistor—330,000 Ohms—Carbon type— $\frac{1}{10}$ watt—(R1, R6)—
4841	Capacitor—0.1 Mfd.—(C7, C28, C36, C41, C67).	3033	Resistor—1 Megohm—Carbon type— $\frac{1}{4}$ watt—(R7)—
5170	Capacitor—0.25 Mfd.—(C78, C79).	11382	Resistor—1 Megohm—Carbon type— $\frac{1}{10}$ watt—(R39)—Located in tuning tube cable—
3597	Capacitor—0.25 Mfd.—(C51).	11626	Resistor—2.2 Megohm—Carbon type— $\frac{1}{4}$ watt—(R20)—
11203	Capacitor—10 Mfd.—(C71).	4669	Screw—No. 8—32— $\frac{5}{8}$ " Set screw for indicator operating arm—
5212	Capacitor—18 Mfd.—(C72).	5249	Shield—Metal shield case for antenna, detector, or oscillator coils.
5213	Capacitor Pack—Comprising one 4. Mfd., one 8. Mfd., and one 10. Mfd. capacitors—(C50, C73, C74).	11273	Shield—Radiotron shield.
5236	Capacitor Pack—Comprising two 0.5 Mfd. capacitors, one 680 ohm resistor and one 820 ohm resistor—(C53, C54, R23, R27).	11381	Socket—Tuning tube cable connector socket.
5215	Coil—Antenna coil for "A" and "C" band—(L1, L2, L5, L6, C1, C3).	11598	Socket—Dial lamp socket.
5218	Coil—Antenna coil for "X" and "B" band—(L3, L4, L7, L8, C2, C4).	4794	Socket—Four-contact socket for 5Z3 Radiotron—(No. 14).
5216	Coil—Detector coil for "A" and "C" band—(L9, L10, L13, L14, C12, C14).	11197	Socket—Six-contact socket for 6C5 Radiotrons—(Nos. 9, 10, 11).
5219	Coil—Detector coil for "X" and "B" band—(L11, L12, L15, L16, C13, C15).	11278	Socket—Seven-contact socket for 6J7 Radiotron—(No. 3).
5217	Coil—Oscillator coil for "A" and "C" band—(L18, L20, C25, C75).	4787	Socket—Seven-contact socket for Cable Stock—(No. 11568).
5221	Coil—Oscillator coil—"D" band—Located on Range Switch.	11198	Socket—Seven-contact socket for 6K7, 6H6, Radiotrons—(Nos. 2, 4, 5, 6 and 8).
5220	Coil—Oscillator coil for "X" and "B" band—(L19, L21, L22, C26, C76).	11280	Socket—Seven-contact socket for 6L7 Radiotron—(No. 2).
5214	Condenser—Three gang variable tuning condenser—(C6, C29, C63).		
5222	Control—Tone control—High frequency tone control—(R28).		
5223	Control—Volume control—(R24, R25, R26).		
5240	Cover—Fuse cover.		
11202	Foot—Chassis mounting (bracket) foot—		
10907	Fuse—Three ampere fuse—(F1)—		

REPLACEMENT PARTS—MODEL D22-1 Continued

Stock No.	DESCRIPTION	Stock No.	DESCRIPTION
5225	Switch—Range switch—(S1, S2, S3, S4, S5, S6, S7, S8, S9, S10, S11)	11488	Connector—Female section—two contact connector—used on cables—(Stock Nos. 11502, 11513, 11487, 11567 and 11571)
11507	Switch—Low frequency tone or power switch—(S13, S14)	4153	Connector—Female section—four contact connector—used on cables—Stock Nos. 11503, 11486, 11569
11508	Transformer—Driver transformer—T3	5240	Cover—Fuse cover
5234	Transformer—Interstage transformer—T2	10907	Fuse—Three ampere fuse—(F1)
5228	Transformer—First intermediate frequency transformer—(L23, L24, C32, C33)	5239	Mounting—Fuse mounting
5229	Transformer—Second intermediate frequency transformer—(L25, L26, C37, C38, C66, R34)	11493	Reactor—Power filter reactor—(L101)
5230	Transformer—Third intermediate frequency transformer—(L27, L28, C44, C45, C46, R18, R19)	11506	Receptacle—Female section—five prong plug—used on cable—Stock Nos. 11504, 11517, 11518
5231	Transformer—Fourth intermediate frequency transformer—(L31, L32)	11499	Resistor—Wire wound—145 ohms—(R107)
8062	Transformer—Power transformer—105-125 volts—25-50 cycles	5159	Resistor—2200 Ohms—Carbon type— $\frac{1}{4}$ watt—(R102)
8061	Transformer—Power transformer—105-125 volts—50-60 cycles—(T1)	3078	Resistor—10,000 Ohms—Carbon type— $\frac{1}{2}$ watt—(R103)
CONDENSER DRIVE ASSEMBLIES			
5243	Arm—Band indicator operating arm	3118	Resistor—100,000 Ohms—Carbon type— $\frac{1}{4}$ watt—(R106, R105, R110)—Package of 5
10194	Ball—Steel ball for drive assembly	5158	Resistor—220,000 Ohms—Carbon type— $\frac{1}{4}$ watt—(R108, R109)
8054	Cam—Five-position cam for station selector drive assembly	11323	Resistor—270,000 Ohms—Carbon type— $\frac{1}{4}$ watt—(R104)
4422	Clutch—Tuning condenser drive clutch assembly—comprising shaft, balls, ring, spring and washers assembled	11172	Resistor—470,000 Ohms—Carbon type— $\frac{1}{4}$ watt—(R101)
8048	Coupling—Flexible coupling for variable capacitor—includes indicator shaft	4794	Socket—Four contact socket—for 2A3 and 5Z3 Radiotrons
11336	Dial—Dial scale with mounting rivets	11198	Socket—Seven contact socket—for 6C5 Radiotron
8045	Disc—Drive disc and Micarta gear assembly	11492	Transformer—Filament transformer—105-125 volts—50-60 cycle—(T104)
11380	Drive—Tuning condenser drive assembly—complete	11879	Transformer—Filament transformer—105-125 volts—25-50 cycle—(T104)
8044	Escutcheon—Dial escutcheon with vernier scale	11878	Transformer—Plate transformer—105-125 volts—25-50 cycle—(T101)
8046	Gear—Indicator shaft, Micarta drive gear and Brass vernier idler with one spring	11495	Transformer—Interstage transformer—(T102)
8050	Gear—Gear sector and band indicator operating link—(link connects to arm on band switch)	11494	Transformer—Output transformer—(T103)
8053	Indicator—Station selector vernier indicator pointer	11491	Transformer—Plate transformer—105-125 volts—50-60 cycle—(T101)
8051	Link—Complete—with roller and spring	EXPANDER ASSEMBLIES	
8049	Pinion—Vernier pointer drive pinion and shaft	11514	Cable—Single conductor shielded cable—with male section of two-prong plug—Stock No. 4674—From (C202) and ground terminal
4669	Screw—No. 8—32— $\frac{3}{8}$ " Square head set screw	11516	Cable—Two conductor shielded cable—with male section of four-prong plug—Stock No. 6123—To (R211) and capacitor pack—(C208, C209 and C210)
8047	Spring—Coil spring for indicator shaft drive gear and vernier idler—(Stock No. 8046)	11513	Cable—Three conductor cable—with one male section of connector and one female section of connector—Stock Nos. 6123, 11488—To (R208) and "H-H"—Socket No. 22
8052	Spring—Coil spring for link	11515	Cable—Five conductor shielded cable—with male section six-prong connector—Stock No. 4574—To (R202), (R207), "G Amplifier 20," (C201), (R206) and ground terminal
8042	Stud—Band indicator operating arm stud	11350	Cap—Grid control contact cap
AMPLIFIER ASSEMBLIES			
11502	Cable—Single conductor shielded cable with female section of connector—Stock No. 11488)—Connects to Grid of first audio socket in amplifier—to expander unit—(C202)	11414	Capacitor—0.1 Mfd.—(C202, C206)
11501	Cable—Three conductor cable—Connects from R108, R109 and R110 in amplifier—to Neon indicator lamp	4841	Capacitor—0.1 Mfd.—(C201)
11504	Cable—Four conductor shielded cable with five contact female connector plug—Stock No. 11506—connects to Amplifier "G," sockets No. 18 and No. 19—(T102, C106)—Terminals	11509	Capacitor Pack—Comprising three 0.5 Mfd. capacitors—(C203, C205, C207)
11503	Cable—Eight conductor cable with four female sections of connectors—(Stock No. 4153)—From (C107)—Amplifier Plate—(C111)—and "H" of first "AF" in Amplifier—to expander, control switch and reproducers	11608	Capacitor Pack—Comprising two 10 Mfd. and one 4 Mfd. capacitors—(C208, C209, C210)
11500	Capacitor—175 MMfd.—(C102, C111, C112, C113)	4358	Clamp—Capacitor clamp
4838	Capacitor—0.005 Mfd.—(C104, C105)	11488	Connector—Two contact female section of connectors—used with cables—Stock Nos. 11513, 11502, 11567, 11487, 11571
4858	Capacitor—0.01 Mfd.—(C103)	11512	Control—Expander bias control—(R213)
11497	Capacitor—8 Mfd.—(C108, C110)	11511	Foot—Chassis mounting (bracket) foot
11496	Capacitor—18 Mfd.—(C106, C107)	4674	Plug—Male section two prong connector—used with cables—Stock Nos. 11514, 11524
11498	Capacitor Pack—Comprising two 10 Mfd. capacitors—(C101, C109)	6123	Plug—Male section four prong plug—used with cables—Stock Nos. 11513, 11516, 11526, 11525, 11572
4358	Clamp—Capacitor clamp for capacitor—(Stock No. 11498)	4574	Plug—Six prong male section of connector plug—used with cables—Stock Nos. 11515, 11522

REPLACEMENT PARTS—MODEL D22-1 Continued

Stock No.	DESCRIPTION	Stock No.	DESCRIPTION
5158	Resistor—220,000 Ohms—Carbon type— $\frac{1}{4}$ watt—(R207).....	11520	Plug—Five-prong male section of connector plug for cable—Stock No. 11519 and Stock Nos. 11521, 11630.....
3998	Resistor—15,000 Ohms—Carbon type— $\frac{1}{4}$ watt—(R205, R212).....	4574	Plug—Six-contact male section of connector for cable—Stock Nos. 11522, 11515.....
3118	Resistor—100,000 Ohms— $\frac{1}{4}$ watt—Carbon type—(R203, R206).....	4573	Receptacle—Two-contact female section of connector plug for cable—Stock No. 11523.....
3252	Resistor—100,000 Ohms—Carbon type— $\frac{1}{2}$ watt—(R213).....	5040	Receptacle—Four-contact female section of connector for cable—Stock No. 11525.....
5035	Resistor—560,000 Ohms—Carbon type— $\frac{1}{4}$ watt—(R202).....	11506	Receptacle—Five-contact female section of connector for cable—Stock No. 11517 and Stock Nos. 11518, 11504.....
3033	Resistor—1 Megohm—Carbon type— $\frac{1}{4}$ watt—(R201).....	4151	Receptacle—Six-contact female section of connector for cable—Stock Nos. 11519, 11567.....
11510	Resistor—Wire wound—425, 365, 3200 and 3900 Ohms—(R208, R209, R210, R211).....	4593	Socket—Four-contact microphone socket for cable—Stock No. 11527.....
11197	Socket—Six-contact socket for 6C5 Radiotron.....		
11198	Socket—Seven-contact socket for 6L7 Radiotron.....		
	MISCELLANEOUS CABLE AND PLUGS		EJECT ARM ASSEMBLIES
11524	Cable—Two-conductor cable with two-prong male section of connector plug—Stock No. 4674—From pilot lamp to cable—Stock 11567.....	11541	Arm—Eject arm—complete.....
11526	Cable—Three-conductor shielded cable with four-prong male section of connector plug Stock No. 6123 and three terminals—connects from input transformer terminals Nos. 1, 3 and 8 to cable—Stock No. 11527.....	11533	Ball— $\frac{1}{8}$ " diameter steel ball—
11527	Cable—Three-conductor cable with one four-contact microphone socket and one three-prong male section of connector plugs—Stock Nos. 4592, 5118..	10129	Ball— $\frac{1}{4}$ " diameter steel ball—
11523	Cable—Three-conductor cable with two female two-contact and one male section of connector plugs—Stock Nos. 2308, 4573—From power cable, Stock No. 11489 to motor leads, and leads from control switch S203.....	11529	Bearing—Ejector tip bearing and nut.....
11517	Cable—Four-conductor shielded cable with female section of connector plug—Stock No. 11506—Connects from tone controls, R214 and R220, to input transformer cable—Stock No. 11521.....	11538	Bracket—Eject arm bracket.....
11518	Cable—Four-conductor shielded cable with female section of connector plug—Stock No. 11506—From input transformer terminals, Nos. 2, 5, 6 and 10, to cable—Stock No. 11519.....	11537	Collar—Eject arm shaft collar and set screw.....
11521	Cable—Four-conductor shielded cable with five-prong male section of connector—Stock No. 11520—From input transformer terminals Nos. 4, 5, 7 and 9 to cable—Stock No. 11517.....	11540	Cover—Eject arm cover.....
11502		11536	Cushion—Counter balance roller cushion—Located inside of eject arm.....
11522	Cable—Six-conductor cable, with Connector Stock No. 4574, from Radio-Phonograph, Home and Radio Recording indicator lamps, to cable—Stock No. 11567 from control switch.....	4055	Post—Vertical adjustment post—Located on eject arm bracket.....
11525	Cable—Seven-conductor cable with one four-contact male and two four-contact female sections of connectors—Stock Nos. 5040, 6123—connects from Reproducers to cable—Stock No. 11503 amplifier	3729	Roller—Eject arm counter balance roller—Located inside of eject arm.....
11519	Cable—Nine-conductor shielded cable with one six-contact female and one five-prong male section of connector plugs—Stock Nos. 4151, 11520—From expander control (R204) and phonograph volume control (R218) to expander and input transformer cable—Stock No. 11518.....	4580	Screw—No. 6—32— $\frac{1}{8}$ " Square head set screw for eject arm collar.....
4577	Plug—Two-prong male section of motor connection plug—Connects to cable—Stock No. 11523.....	11534	Screw—No. 8—36— $\frac{1}{2}$ " Special screw for eject arm tip center adjustment.....
4674	Plug—Two-contact male section of connector plug for cable—Stock Nos. 11524, 11514.....	11535	Shaft and Collar—Eject arm vertical action shaft and collar assembly.....
2308	Plug—Two-contact male section of connector plug for cable—Stock No. 11523.....	11528	Silencer—Ejector tip silencer.....
5118	Plug—Three-prong male section of connector plug for cable—Stock No. 11527.....	4067	Spring—Eject arm bracket spring—
6123	Plug—Four-prong male section of connector for cable—Stock No. 11525 and Stock Nos. 11526, 11516, 11513, 11572.....	11531	Spring—Ejector tip spring—
		11530	Tip—Ejector tip with tip center, adjusting screw and cap.....
		11539	Yoke—Eject arm yoke assembly.....
			PICKUP AND ARM ASSEMBLIES
		11482	Arm—Pickup arm complete—less pickup mounting screw, escutcheon and pickup unit.....
		11543	Armature—Pickup armature.....
		11548	Back—Pickup back.....
		4064	Cable—Pickup arm operating cable—
		11544	Coil—Pickup coil—(L305).....
		11532	Coil—Pickup hum bucking coil—(L306).....
		4674	Connector—Two-prong male section of pickup cable connector plug—Stock Nos. 11514, 11524.....
		11545	Cover—Pickup front cover.....
		11546	Cover—Pickup back cover with mounting screws..
		3737	Damper—Pickup damper—
		11481	Pickup—Pickup unit complete.....
		11549	Screw—Pickup front cover screw—
		3387	Screw, nut and washer for mounting pickup to arm
		11547	Screw—Pickup needle screw—
		11550	Weight—Home recording weight.....
			MOTOR BOARD ASSEMBLIES
		11553	Escutcheon—Index escutcheon engraved Manual—12-10.....
		3764	Nut—Cap nut for motor board suspension assembly
		3672	Pin—Manual index pin.....
		11551	Rest—Pickup rest.....

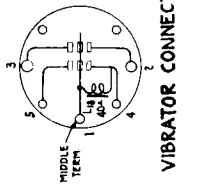
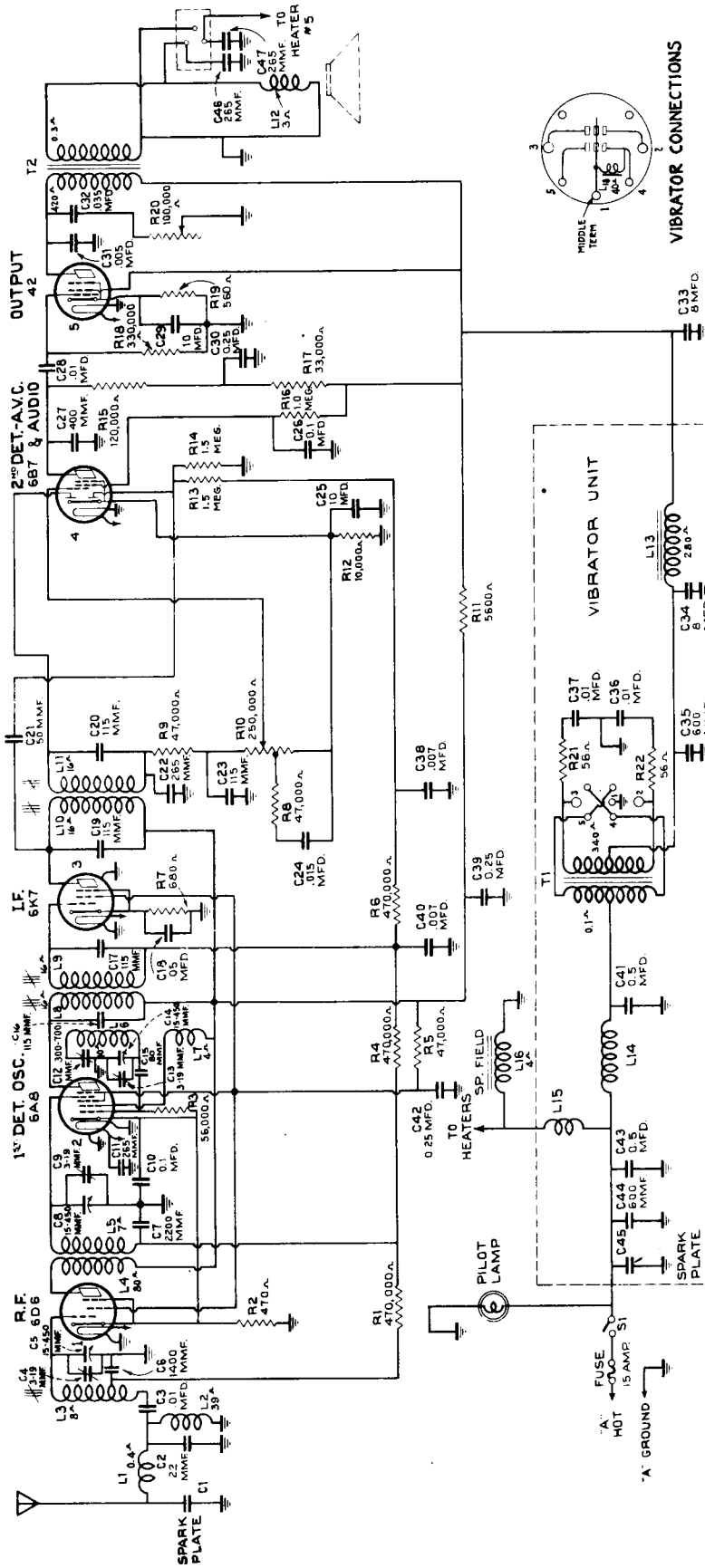
REPLACEMENT PARTS—MODEL D22-1 Continued

Stock No.	DESCRIPTION	Stock No.	DESCRIPTION
3654	Roller—Pickup arm cable guide roller—comprising bracket roller and guide pin.....	11566	Cable—Three-conductor cable with male section of four-prong plug—Stock No. 11570—To S213, S205 and terminal lug—and cable—Stock No. 11503.....
3763	Suspension Spring—Suspension spring, washer and bolt assembly for motor board—comprising one bolt, two cup washers, two springs, two "C" washers and one cap nut.....	11572	Cable—Four-conductor cable with male section of four-prong plug—Stock No. 6123—To (1) S204, (1) S210, (2) S212 and cable—Stock No. 11503.....
4671	Switch—Operating switch—toggle type—(S201).....	11569	Cable—Four-conductor shielded cable with one female section of four-contact plug—Stock No. 4153—and one female section of three-contact plug—Stock No. 5119—To (1) S204, (1) S205, (1) S206, (2) three-contact receptacle, shield grounded to terminal lug—and cable—Stock Nos. 11526 and 11527.....
11542	Cover—Turntable cover.....		
11599	Turntable—complete.....		
MOTOR ASSEMBLIES			
9479	Motor—105-125 volts—25 cycles—(M1).....		
9478	Motor—105-125 volts—50 cycles—(M1).....		
9477	Motor—105-125 volts—60 cycles—(M1).....	11630	Cable—Four-conductor shielded cable with one five-prong male section of plug—Stock No. 11520—To (1) S206, (1) S208, (2) S209—shield grounded to terminal and cable—Stock No. 11504.....
4562	Suspension Spring—Motor mounting spring, washer, and stud assembly—comprising six springs, six cup washers, three spring washers and three studs.....	11568	Cable—Six-conductor shielded cable—with male section of seven-prong connector plug—Stock No. 4602—To (2) S205, (1) S206, (1) S208, (2) S209 and shield grounded to terminal—Receptacle—Stock No. 4787 on receiver chassis.....
AUTOMATIC SWITCH ASSEMBLIES			
3994	Cover—Motor switch cover.....	11567	Cable—Ten-conductor cable with two-contact female section of plug—Stock No. 11488—and one female section of six-contact plug—Stock No. 4151—To (1) S212, (2) S213, (4) S211 and (1) to terminal lug and cable—Stock No. 11522.....
10184	Plate—Automatic brake latch plate.....		
10174	Springs—Automatic brake springs.....	11347	Knob—Control switch knob.....
6805	Switch Assembly—Automatic switch complete.....	4577	Plug—Two-prong male section of connector plug—Part of connector cord from S203.....
3322	Switch—Motor switch—(S202).....	6123	Plug—Four-contact male section of connector plug—used with cables—Stock Nos. 11572, 11516, 11513, 11526, 11525.....
OPERATING MECHANISM			
6502	Cam—Cam and gear assembly.....	11570	Plug—Male section of four-prong connector plug for cable—Stock No. 11566.....
6808	Clutch—Trip lever friction clutch.....	11520	Plug—Five-prong male section of connector plug for cable—Stock Nos. 11519, 11521, 11630.....
11558	Cover—Metal cover for trip lever and friction finger assembly.....	4602	Plug—Seven-prong male section of connector plug—used with cable—Stock No. 11568.....
6809	Finger—Manual index lever finger assembly.....	11488	Receptacle—Two-contact female section of connector plug—used with cables—Stock Nos. 11567, 11571, 11487, 11502, 11513.....
3670	Finger—Friction finger assembly.....	5119	Receptacle—Female section—three-contact plug receptacle for cable—Stock No. 11569.....
11554	Lever—Manual index lever—less pin.....	4153	Receptacle—Female section—four-contact plug receptacle for cable—Stock No. 11569.....
11556	Lever—Main lever and link assembly.....	4151	Receptacle—Six-contact female section of connector plug used with cables—Stock Nos. 11519, 11567.....
11557	Lever—Main spring lever.....	11564	Resistor—47 Ohms—Carbon type— $\frac{1}{10}$ watt—(R219).....
3677	Lever—Pickup arm cable lever assembly—comprising lever with cable screw, spring and nut.....	11565	Resistor—15 Ohms—Carbon type— $\frac{1}{4}$ watt—(R221).....
11555	Lever—Trip lever and friction clutch assembly.....	11563	Switch—Phonograph, Radio, Home Recording and Phonograph recording switch—complete—(S203, S204, S205, S206, S207, S208, S209, S210, S211, S212, S213).....
6503	Pawl—Trip pawl assembly.....		
4124	Plate—Eject arm actuating plate assembly.....		
4563	Screw—Cable lever screw and nut.....		
4564	Screw—Manual index lever finger set screw.....		
4059	Screw—Trip lever clutch tension adjustment screw.....		
4566	Screw—Special screw used to fasten main lever and link assembly bushing.....		
11559	Spacer—Pickup arm mounting spacer.....		
4127	Spring—Actuating spring.....		
3666	Spring—Cable lever tension spring.....		
4565	Spring—Manual index lever finger tension spring.....		
4061	Spring—Main spring lever, tension spring.....		
2893	Spring—Trip lever latch plate tension spring.....		
2917	Washer—Spring washer "U" type.....		
MICROPHONE ASSEMBLIES			
7534	Cable—Microphone cable.....	11522	Cable—Six-conductor indicator assembly cable with male section of six-prong connector plug—Stock No. 4574.....
11561	Cover—Microphone cover.....	4340	Lamp—Indicator lamp.....
11560	Frame—Microphone frame.....	4574	Plug—Six-prong male section of connector plug—for use with cables—Stock Nos. 11515, 11522.....
7533	Mechanism—Microphone mechanism.....	11719	Screen—Indicator lamp screen.....
11480	Microphone—complete—(M2).....	11573	Socket—Indicator lamp socket.....
11562	Plug—Microphone plug.....		
4158	Socket—Microphone socket.....		
RECORDING SWITCH ASSEMBLIES			
11571	Cable—Single conductor shielded cable with one female section of connector—Stock No. 11488—To S204, shield grounded to terminal lug—To cable from pickup arm assembly—Stock No. 11482.....	11574	Escutcheon—Recording indicator escutcheon.....
		4161	Lamp—Neon lamp.....
		4164	Screen—Indicator lamp screen.....
		11575	Screw—Screen escutcheon and terminal board mounting screw assembly—comprising two screws, two spacers, two nuts and two lock washers.....

REPLACEMENT PARTS—MODEL D22-1 Continued

Stock No.	DESCRIPTION	Stock No.	DESCRIPTION
	REPRODUCER ASSEMBLIES	11347	Knob—Phonograph or Radio high or low frequency tone control, Radio volume control, Range switch, Selector switch knob—
11577	Coil—Field coil magnet and cone support—(L102, L103).....	11582	Knob—Expander control or Phonograph volume control knob—
11576	Cone—Reproducer cone—(L104, L105)—	11346	Knob—Station selector knob—
5039	Plug—Male section of four-prong plug.....	11605	Pad—Home recording pad.....
9629	Reproducer—Complete.....	11578	Reactor—Filter reactor—(L34).....
	MISCELLANEOUS ASSEMBLIES	11607	Receptacle—Receptacle for new needles.....
11881	Base—Phonograph compartment lamp base.....	11711	Shade—Phonograph compartment lamp shade.....
4391	Box—Needle box.....	11579	Tone Control—Phonograph low frequency tone control.....
11606	Cap—Pilot lamp cap—	11581	Tone Control—Phonograph high frequency tone control.....
11884	Control—Expander control—(R204).....	11883	Transformer—Microphone and pickup input transformer pack—(R215, R216, R217, C204, C211, C212, C213, C214, C215, L301, L302, T201)....
11580	Cover—Pilot lamp cover.....	11877	Volume Control—Phonograph volume control—(R28).....
11379	Escutcheon—Station selector escutcheon and crystal		

Model 5M Automobile Receiver



ALIGNMENT PROCEDURE
 R.F. & Det. 1400 K.C.
 Osc. 1400 K.C., 600 K.C.
 L.F. 460 K.C.
 Peak all stages

REPLACEMENT PARTS—MODEL 5M

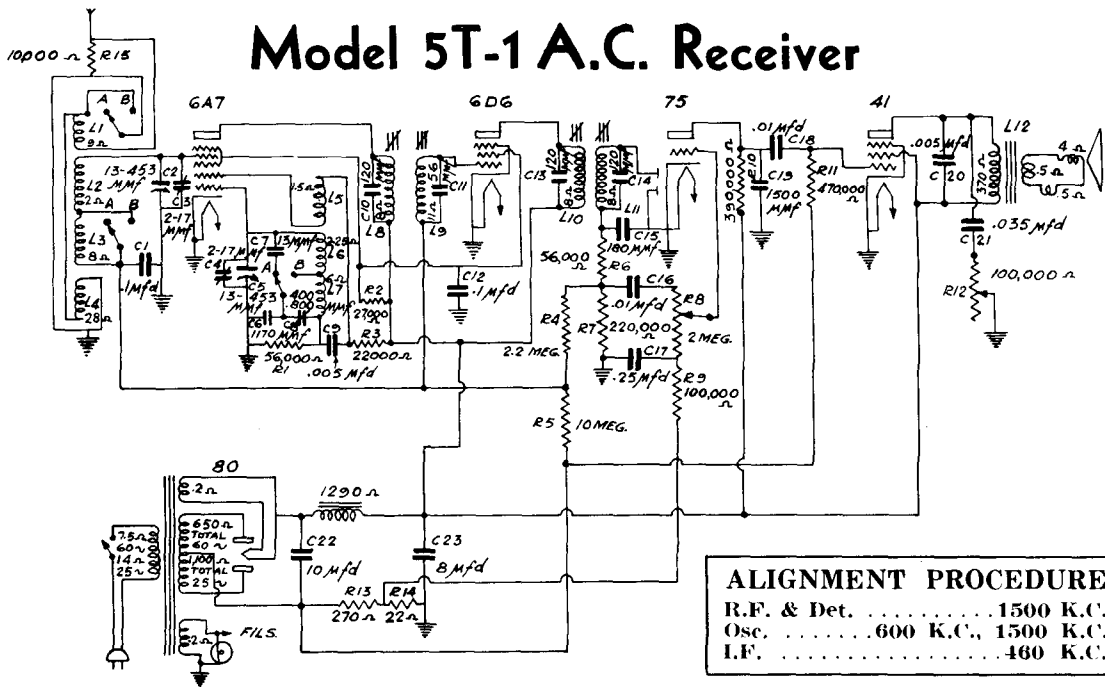
Insist on genuine factory tested parts, which are readily identified and may be purchased from authorized dealers.

STOCK NO.	DESCRIPTION	STOCK NO.	DESCRIPTION
RECEIVER ASSEMBLIES			
12511	Cap-Grid contact cap-	11452	Resistor-470,000 ohm-carbon type, 1/10 watt-(R4,R6).....
11130	Capacitor-Adjustable capacitor-(C12).....	12285	Resistor-470,000 ohm-insulated, 1/4 watt-(R1).....
11289	Capacitor-50 Mmfd.-(C21).....	12200	Resistor-1 megohm-insulated, 1/4 watt-(R16).....
12270	Capacitor-80 Mmfd.-(C15).....	12287	Resistor-1.5 megohm-insulated, 1/4 watt-(R13,R14).....
8076	Capacitor-115 Mmfd.-(C23).....	3584	Ring-Retaining ring for R.F. or oscillator coil.....
11998	Capacitor-115 Mmfd.-(C16,C17,C19,C20).....	5129	Ring-Radiotron shield ring.....
11181	Capacitor-265 Mmfd.-(C11,C22,C46,C47).....	3623	Shield-R.F. or oscillator coil shield.....
11171	Capacitor-400 Mmfd.-(C27).....	12290	Shield-Radiotron shield.....
4210	Capacitor-600 Mmfd.-(C35).....	4786	Socket-6-contact 6D6 or 42 Radiotron socket.....
4094	Capacitor-690 Mmfd.-(C44).....	4787	Socket-7-contact 6B7 Radiotron socket.....
12268	Capacitor-1,400 Mmfd.-(C6).....	12227	Socket-8-contact 6A8 or 6K7 Radiotron socket.....
12269	Capacitor-2,200 Mmfd.-(C7).....	12241	Socket-Vibrator socket.....
5148	Capacitor-.007 Mfd.-(C48,C40).....	12226	Stud-Variable tuning condenser mounting stud assembly-
4907	Capacitor-.005 Mfd.-(C31).....		
4858	Capacitor-.01 Mfd.-(C3,C28).....	12228	Transformer-First I.F. transformer-(L8,L9,C16,C17,R4,R6).....
4792	Capacitor-.015 Mfd.-(C24).....	12364	Transformer-Output transformer-(T2).....
5196	Capacitor-.035 Mfd.-(C32).....	12229	Transformer-Second I.F. transformer-(L10,L11,C19,C20,C22,R9).....
4836	Capacitor-.05 Mfd.-(C18).....	12231	Transformer-Vibrator power transformer-(T1).....
4791	Capacitor-.01 Mfd.-(C26).....	12236	Vibrator-Vibrator complete.....
4841	Capacitor-.01 Mfd.-(C10).....	12365	Volume Control-(R10).....
12237	Capacitor-.25 Mfd.-(C39,C42).....	CONTROL BOX AND FLEXIBLE SHAFT ASSEMBLIES	
5170	Capacitor-.25 Mfd.-(C30).....	12505	Box-Control box complete-less flexible shafts.....
5019	Capacitor-0.5 Mfd.-(C41).....	12578	Dial-Station selector indicator dial (standard).....
12234	Capacitor-8 Mfd.-(C34).....	12579	Knob-Station selector (tuning) knob (standard).....
12233	Capacitor Pack-Comprising 2 sections each, .01 Mfd.-(C36,C37).	12580	Knob-Volume control knob (standard)
12238	Capacitor Pack-Comprising one 8 Mfd. and two 10 Mfd. sections-(C25,C29,C33).....	11891	Lamp-Control box dial lamp-
12223	Coil-Antenna coil-(L3).....	12504	Shaft-Tuning control flexible shaft complete, approx. 2 1/2 in. long.....
12235	Coil-Choke coil-(L14).....	12503	Shaft-Volume control flexible shaft complete, approx. 2 1/2 in. long.....
12225	Coil-Oscillator coil-(L6,L7).....	REPRODUCER ASSEMBLIES	
12224	Coil-R.F. coil-(L4,L5).....	12482	Board-Reproducer terminal board...
12220	Condenser-3-gang variable tuning condenser-(C4,C5,C8,C9,C13,C14)	12450	Coil-Field coil-(L15).....
12006	Core-Adjustable core for I.F. transformer Stock No. 12228 and No. 12229.....	12451	Cone-Reproducer cone complete-(L12).....
12289	Coupling-Station selector flexible shaft coupling.....	9687	Reproducer-Reproducer complete....
12239	Filter-Antenna filter-(L1,L2,C2).....	MISCELLANEOUS ASSEMBLIES	
12221	Gear-Variable tuning condenser shaft drive gear.....	4287	Body-Antenna cable female connector body-
12222	Gear-Variable tuning condenser worm gear.....	4289	Body-"A" lead fuse connector body-
12242	Guide-Station selector shaft guide...	12509	Button-Plug button for receiver housing.....
12483	Pin-Contact pin for speaker leads-	12444	Cable-Shielded antenna cable, approx. 8 in. long, complete with female section of connector.....
12485	Pin-Contact pin for tone control lead-	4288	Cap-Male connector cap for "A" lead or antenna cable-
12232	Reactor-Filter reactor-iron core-(L13)	5025	Capacitor-Generator capacitor.....
5034	Resistor-56 ohm-carbon type, 1/2 watt-(R21,R22).....	4293	Capacitor-Ammeter capacitor.....
12512	Resistor-470 ohm-insulated, 1/4 watt-(R2).....	11418	Capacitor-.5 Mfd.-(C43).....
11845	Resistor-560 ohm-carbon type, 1 watt-(R19).....	4291	Clip-"A" lead ammeter clip-
12262	Resistor-680 ohm-insulated, 1/4 watt-(R7).....		
8097	Resistor-5,600 ohm-carbon type, 2 watt-(R11).....		
12288	Resistor-10,000 ohm-insulated, 1/4 watt-(R12).....		
12454	Resistor-33,000 ohm-insulated, 1/4 watt-(R17).....		
5132	Resistor-47,000 ohm-carbon type, 1/10 watt-(R8,R9).....		
12073	Resistor-47,000 ohm-carbon type, 1 watt-(R5).....		
12286	Resistor-56,000 ohm-insulated, 1/4 watt-(R3).....		
12455	Resistor-120,000 ohm-insulated, 1/4 watt-(R15).....		
12452	Resistor-330,000 ohm-insulated, 1/4 watt-(R18).....		

REPLACEMENT PARTS—Continued

STOCK NO.	DESCRIPTION	STOCK NO.	DESCRIPTION
12443	Cover-Receiver housing top cover.....	12252	Screw-No. 8 self-tapping hex. head screw-used on receiver housing-
12442	Cover-Receiver housing bottom cover assembly.....	12248	Socket-3-contact socket and bracket assembly for reproducer cable.....
12247	Fastener-Receiver housing top cover fastener-	12502	Socket-Pin socket and bracket assembly for tone control lead.....
4286	Ferrule-Antenna cable or "A" lead connector ferrule and bushing-	4284	Spring-Antenna cable connector spring-
5023	Fuse-"A" lead fuse-15 amp.-	12448	Stud-Receiver mounting stud assembly -Comprising 1 stud, 1 washer, 1 lock-washer and 1 nut.....
12449	Grille-Speaker grille assembly.....	5024	Suppressor-Distributor suppressor.....
12441	Housing-Receiver housing complete....	12249	Tone Control-(R20).....
4290	Insulator-Fuse connector insulator-	4285	Washer-Antenna cable connector insulating washer -
4323	Knob-Tone control knob-		
12445	Lead-"A" lead (set end), approx. 8 in. long, complete with male selection of connector.....		
12501	Plate-Name plate and mounting screws.		
12447	Screw-Speaker mounting assembly- Comprising 1 screw, 1 nut and 1 lock-washer to mount speaker in case-		

Model 5T-1 A.C. Receiver



REPLACEMENT PARTS

Insist on genuine factory tested parts, which are readily identified and may be purchased from authorized dealers.

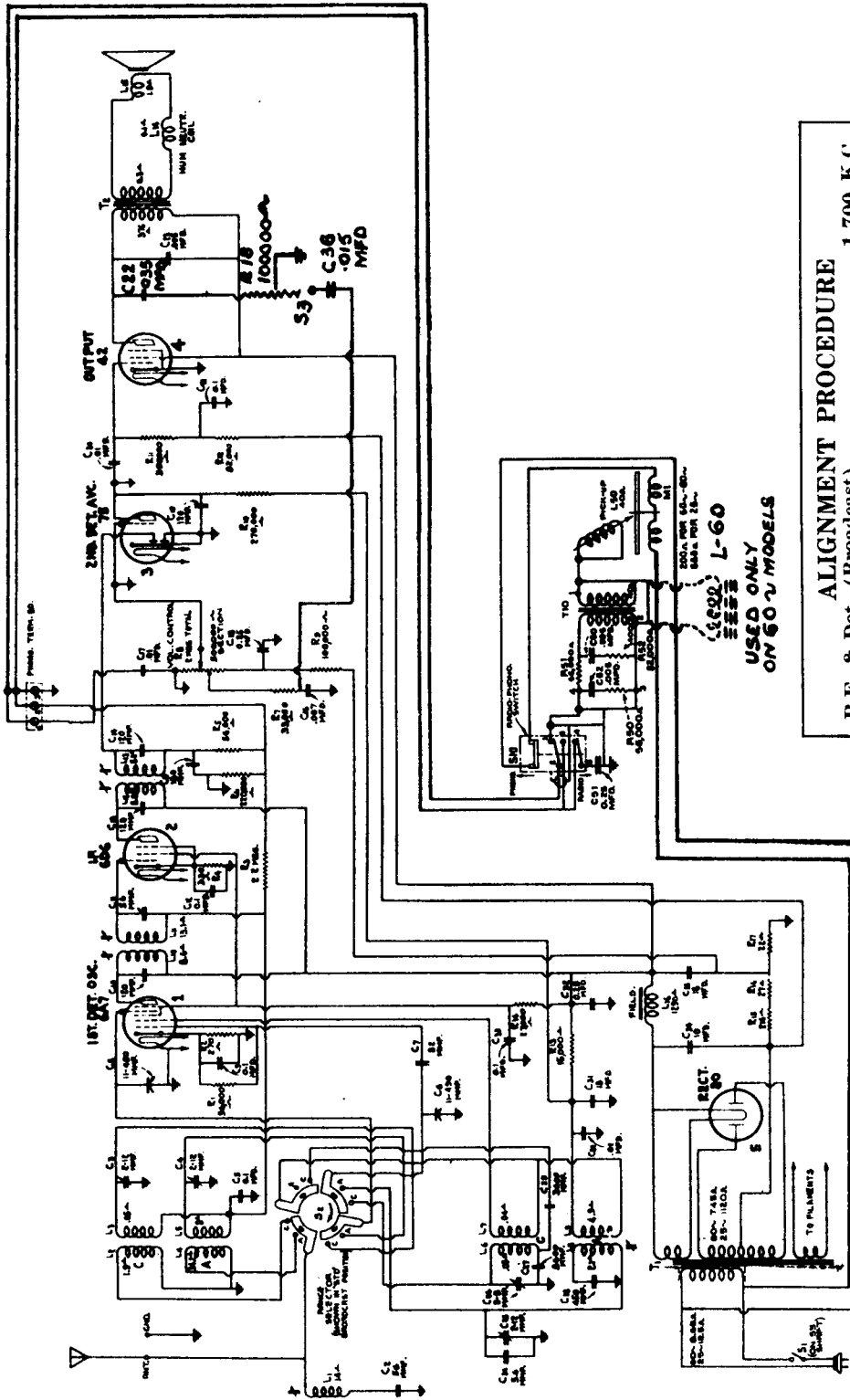
STOCK No.	DESCRIPTION	STOCK No.	DESCRIPTION
RECEIVER ASSEMBLIES			
12118	Cap-Grid contact cap-	S-1536	Resistor-2.2 meg.carbon type,
11465	Capacitor-Adjustable capacitor (C8).	13601	1/4 watt (R4).....
12659	Capacitor-13 Mmfd.(C7).....	12607	Resistor-10 meg.-insulated,
12629	Capacitor-56 Mmfd.(C11).....		1/4 watt (R5).....
12404	Capacitor-120 Mmfd.(C10,C13,C14)....	12008	Shield-First I.F. transformer
12406	Capacitor-180 Mmfd.(C15).....	12581	shield top.....
S-1678	Capacitor-1170 Mfd.(C6).....		Shield-I.F. transformer shield.....
13762	Capacitor-1500 Mmfd.(C19).....	12218	Shield-Second I.F. transformer
4868	Capacitor-.005 Mfd. (C9,C20).....		shield top.....
4883	Capacitor-.01 Mfd. (C16,C18).....	11265	Shield-6A7 radiotron shield complete
4791	Capacitor-.1 Mfd. (C1,C12).....	4794	Socket-4-contact 80 radiotron socket
S-1592	Capacitor-.25 Mfd.(C17).....	4786	Socket-6-contact 6D6,41 or 75
12670	Capacitor-.035 Mfd.(C21).....		radiotron socket.....
S-1679	Capacitor-8 Mfd. (C23).....	4787	Socket-7-contact 6A7 Radiotron sock-
11203	Capacitor-10 Mfd.(C22).....		et.....
12495	Coil-Antenna coil (L1,L2,L3,L4).....	S-1686	Socket-Dial lamp socket.....
12496	Coil-Oscillator coil (L5,L6,L7).....	12007	Spring-Retaining spring for Stock
S-1680	Condenser-2-gang variable tuning con-		Nos.12006 and 12664-
	denser (C2,C3,C4,C5).....	12647	Switch-Range switch.....
12006	Core-Adjustable core and stud for	S-1687	Switch-Tone control and power
	Stock Nos.12653 and 12801.....		switch (R12).....
S-1681	Dial-Station selector dial.....	12801	Transformer-First I.F. transformer
S-1682	Drive-Vernier drive for variable		complete (L8,L9,C10,C11).....
	condenser.....	12653	Transformer-Second I.F. transformer
S-1683	Indicator-Station selector indicator		complete (L10,L11,C13,C14,C15,R6).
	pointer.....	S-1665	Transformer-Power Transformer,
5226	Lamp-Dial lamp-6.3 volts-		105-125 volts, 50-60 cycles.....
	S-1666	Transformer-Power Transformer,
S-1684	Resistor-22 ohm-insulated, 1/4 watt		105-125 volts, 25-60 cycles.....
	(R14).....	S-1688	Volume control (R8).....
13675	Resistor-270 ohm-carbon type, 1		
	watt (R13).....	REPRODUCER ASSEMBLIES	
13302	Resistor-10,000 ohms-carbon type,	S-1677	Cone-Reproducer cone.....
	1/10 watt (R15).....	S-1676	Transformer-Output transformer (L12
8070	Resistor-22,000 ohms-carbon type,		Reproducer-Complete.....
	1/2 watt (R3).....		
12011	Resistor-27,000 ohms-carbon type,	MISCELLANEOUS ASSEMBLIES	
	1 watt (R2).....	S-1664	Indoor Antenna.....
11282	Resistor-56,000 ohms-carbon type,		Knobs-Station selector knobs.....
	1/10 watt (R6).....	11347	Knobs-Volume control, tone control
5029	Resistor-56,000 ohms-carbon type,		and range switch knobs-
	1/4 watt (R1).....	S-1664	Indoor Antenna.....
5145	Resistor-100,000 ohms-carbon type,		Knobs-Station selector knobs.....
	1/4 watt (R9).....	11347	Knobs-Volume control, tone control
11398	Resistor-220,000 ohms-carbon type,		and range switch knobs-
	1/10 watt (R7).....	11349	Spring-Retaining spring for knobs,
S-1685	Resistor-390,000 ohms-insulated,		Stock Nos.11347 and 12700-
	1/4 watt (R10).....		
S-1690	Resistor-470,000 ohms-insulated,		
	1/4 watt (R11).....		

REPLACEMENT PARTS MODELS 5T-3 & 5K-1

Insist on genuine factory tested parts, which are readily identified and may be purchased from authorized dealers.

STOCK No.	DESCRIPTION	STOCK No.	DESCRIPTION
RECEIVER ASSEMBLIES			
5237	Bushing-Variable condenser mounting bushing assembly-	12650	Shield - Antenna coil shield.....
11591	Button-Chassis plug button.....	12735	Shield - Dial lamp shield -
12118	Cap-Grid contact cap.....	12607	Shield - First I.F. transformer shield top.....
11465	Capacitor-Adjustable capacitor (C8).	12008	Shield - First or second I.F. transformer shield.....
12659	Capacitor-12 Mmfd. (C5).....	12651	Shield - Oscillator coil shield.....
12661	Capacitor-56 Mmfd. (C1).....	12581	Shield - Second I.F. transformer shield top.....
12946	Capacitor-133 Mmfd. (C11,C15,C16, C17).....	51415	Shield - 6D6 Radiotron shield.....
12406	Capacitor-180 Mmfd. (C18).....	3682	Shield - 6A7 or 75 Radiotron shield..
12662	Capacitor-220 Mmfd. (C21).....	4794	Socket - 4-contact rectifier Radiotron socket.....
12660	Capacitor-1,350 Mmfd. (C10).....	4785	Socket - 6-contact 42, 75 and 6D6 Radiotron socket.....
4793	Capacitor-.005 Mfd. (C9,C25).....	4787	Socket - 7-contact 6A7 Radiotron Socket.....
4858	Capacitor-.01 Mfd. (C19,C20,C22)....	11199	Socket - Dial lamp socket.....
4792	Capacitor-.015 Mfd. (C32).....	12007	Spring - Retaining spring for core, Stock Nos. 12006 and 12664 -
4791	Capacitor-.1 Mfd. (C4,C12,C23,C30, C31).....		
51592	Capacitor-.25 Mfd. (C13,C24).....	12668	Tone Control and Switch (S1).....
5170	Capacitor-.25 Mfd. (C14).....	13106	Transformer - First I.F. transformer, Complete (L8, L9, C11, C15).....
12670	Capacitor-.035 Mfd. (C26).....	12644	Transformer - Power transformer, 115 volt, 60-cycle (T1).....
11240	Capacitor- 10 Mfd. (C28).....	12645	Transformer - Power transformer, 115 volt, 25-cycle (T1).....
5212	Capacitor- 18 Mfd. (C29).....	13107	Transformer - Second I.F. transformer, complete (L10, L11, C16, C17, C18, R6, R7).....
12648	Coil-Antenna coil-less shield (L2, L3,L4,L5).....	12654	Trap-Wave trap (L1).....
12649	Coil-Oscillator coil-less shield (L6,L7).....	11237	Volume Control (R8).....
12643	Condenser-2-gang variable tuning condenser (C2, C3, C6, C7).....	REPRODUCER ASSEMBLIES	
5119	Connector-3-contact female speaker cable connector.....	12641	Board - 3-contact reproducer terminal board.....
12006	Core-Adjustable core and stud assembly for I.F. transformer, Stock Nos. 12652 and 12653.....	12640	Bracket - Output transformer mounting bracket.....
12664	Core-Adjustable core and stud assembly for wave trap, Stock No. 12654.	12012	Coil - Field coil (L14).....
12658	Dial-Station selector dial.....	11469	Coil - Neutralizing coil (L12).....
12656	Drive-Variable condenser drive shaft and pinion.....	12642	Cone - Reproducer cone and dust cap (L13), (Table Model).....
12657	Indicator-Station selector indicator Lamp-Dial lamp.....	12667	Cone-Reproducer cone and dust cap (L13), (Console Model).....
12663	Mask-Dial light diffuser, complete with red and green colored screen..	5118	Connector - 3-contact male speaker cable connector.....
12647	Range Switch (S2).....	9699	Reproducer, complete (Table Model)...
12206	Resistor-270 ohm, carbon type, 1/4 watt - (R19).....	9696	Reproducer, complete (Console Model)..
12261	Resistor - 390 ohm, insulated, 1/4 watt - (R20).....	11253	Transformer-Output transformer (T2)..
8070	Resistor - 22,000 ohm, carbon type, 1/2 watt - (R3).....	11886	Washer-Spring washer to hold field coil securely-
11400	Resistor - 27,000 ohm, carbon type, 1/4 watt - (R9).....	MISCELLANEOUS ASSEMBLIES	
12011	Resistor - 27,000 ohm, carbon type, 1 watt - (R4).....	12639	Escutcheon - Station selector escutcheon and crystal assembly.....
11282	Resistor - 56,000 ohm, carbon type, 1/10 watt - (R6).....	12638	Knob - Station selector knob -
5029	Resistor - 56,000 ohm, carbon type, 1/4 watt - (R1).....	11347	Knob - Tone control, volume control or range switch knob.....
11454	Resistor - 6,800 ohm, carbon type, 1/4 watt - (R2).....	11586	Screw - Chassis mounting screw No. 14x1 inc.
5145	Resistor - 100,000 ohm, carbon type, 1/4 watt - (R10,R12).....	11349	Spring - Retaining spring for knob, Stock Nos. 11347 and 12638
11398	Resistor - 220,000 ohm, carbon type, 1/10 watt - (R7).....		
11323	Resistor - 270,000 ohm, carbon type, 1/4 watt - (R11).....		
11172	Resistor - 470,000 ohm, carbon type, 1/4 watt - (R13).....		
11626	Resistor - 2.2 megohm, carbon type, 1/4 watt - (R5).....		
12004	Resistor - Voltage divider resistor-Comprising one 216 ohm, one 27 ohm and one 22 ohm sections (R16, R17, R18).....		

Models 5T-5 & 5K-2 A.C. Receivers Model 5U RCA Victrola



ALIGNMENT PROCEDURE

R.F. & Det. (Broadcast)	1,700 K.C.
R.F. & Det. (S.W.)	18,000 K.C.
Oscillator (Broadcast)	600 K.C.
Oscillator (S.W.)	18,000 K.C.
Intermediate Frequency	460 K.C.

Align all R.F. stages for maximum peak.
Align I.F. stages by means of oscillograph.

**USED ONLY
ON 50 \sim MODELS**

REPLACEMENT PARTS MODELS 5T-5, 5K-2 & 5U

Insist on genuine factory tested parts, which are readily identified and may be purchased from authorized dealers.

STOCK No.	DESCRIPTION	STOCK No.	DESCRIPTION
RECEIVER ASSEMBLIES			
13216	Board-Antenna and ground terminal board.....	11847	Resistor-390,000 ohms, carbon type, 1/4 watt (R11).....
12717	Board-Phonograph terminal board...	11626	Resistor-2.2 meg., carbon type, 1/4 watt (R3).....
5237	Bushing-Variable condenser mounting bushing assembly-	12651	Shield-Antenna coil shield.....
12118	Cap-Grid contact cap-	13311	Shield-Chassis end shield and rubbing mounting foot assembly-
12714	Capacitor-Adjustable trimmer (C3, C4,C25).....	12607	Shield-First I.F. transformer shield top.....
12807	Capacitor-Adjustable trimmer (C26)	12008	Shield-I.F. transformer shield.....
12973	Capacitor-5.6 Mmfd. (C24).....	12799	Shield-Oscillator coil shield.....
12723	Capacitor-56 Mmfd. (C2).....	12581	Shield-Second I.F. transformer shield top.....
12629	Capacitor-56 Mmfd. (C11).....	3682	Shield-6A7 or 75 Radiotron shield....
13394	Capacitor-82 Mmfd. (C7).....	3950	Shield-6D6 Radiotron shield.....
12724	Capacitor-120 Mmfd. (C19).....	4794	Socket-4-contact 80 Radiotron socket..
12404	Capacitor-120 Mmfd. (C10,C13,C14).	4786	Socket-6-contact 6D6,42 or 75 Radiotron socket.....
12406	Capacitor-180 Mmfd. (C15).....	4787	Socket-7 contact 6A7 Radiotron socket.
12812	Capacitor-450 Mmfd. (C28).....	11199	Socket-Dial lamp socket.....
12811	Capacitor-3,600 Mmfd. (C27,C29)...	12007	Spring-Retaining spring for Stock Nos. 12006 and 12664-
4868	Capacitor-.005 Mfd. (C23).....	12796	Switch-Range switch (S2).....
5148	Capacitor-.007 Mfd. (C16).....	12668	Switch-Tone control and power switch (S1,S3).....
4792	Capacitor-.015 Mfd. (C36).....	12801	Transformer-First I.F. transformer complete, (L10, L11,C10,C11).....
4883	Capacitor-.01 Mfd. (C17, C20,C30)..	12653	Transformer-Second I.F. transformer complete, (L12,L13,C13,C14,C15, R5,R6).....
4840	Capacitor-0.25 Mfd. (C18).....	13392	Transformer-Power transformer 105-125 volts,50-60 cycles (T1).....
5170	Capacitor-0.25 Mfd. (C32).....	13566	Transformer-Power Transformer 105-125 volts,25-60 cycles (T1).....
12670	Capacitor-0.035 Mfd. (C22).....	12654	Trap-Wave-trap complete (L1).....
4791	Capacitor-0.1 Mfd. (C5,C9,C12,C21,C33).....	13144	Volume Control (R8).....
11240	Capacitor-10 Mfd. (C34).....	BRAKE AND SWITCH ASSEMBLIES	
5212	Capacitor-18 Mfd. (C31,C35).....	S-1693	Brake-brake and switch complete.....
12797	Coil-Antenna coil and shield (L2, L3,L4,L5).....	4577	Connector-2-contact male connector... for brake switch power supply lead..
12798	Coil-Oscillator coil and shield (L6,L7,L8,L9).....	13065	Lever-Brake mechanism actuating lever, fastens to pivot shaft under base.....
S-1663	Condenser-2-gang variable tuning condenser, (C6,C8).....	12932	Lever-Friction lever assembly complete.....
5119	Connector-3-contact female connector for speaker cable.....	12043	Screw-Brake screw and friction lever assembly.....
12006	Core-Adjustable core and stud for Stock Nos.12653 and 12801.....	11756	Spring-Brake trip lever spring-
12664	Core-Adjustable core and stud for Stock No. 12654.....	11757	Spring-Brake lever spring
13313	Dial-Station selector dial.....	11755	Switch-Brake switch.....
12702	Drive-Vernier drive for variable condenser.....	MOTOR ASSEMBLIES	
13314	Indicator-Station selector indicator pointer.....	S-1669	Ball-Steel ball bearing -
5226	Lamp-Dial lamp, 6.3 volts-	S-1613	Base-Motor base and bearing assembly...
13310	Resistor-Voltage divider comprising one 216-ohm, one 27-ohm and one 22-ohm sections (R15,R16,R17)...	S-1614	Coil-Stator assembly comprising coil and laminations 105-125 volt, 60 cycle operation.....
6135	Resistor-270 ohms,carbon type, 1/4 watt (R2).....	S-1615	Coil-Stator assembly comprising coil and laminations 105-125 volt, 25 cycle operation.....
11296	Resistor-330 ohms, carbon type, 1/4 watt (R4).....	11748	Damper-motor assembly comprising one damper, one damper plate, one screw, two rubber washers and one "C" washer.....
12759	Resistor-15,000 ohms, carbon type, 1/2 watt (R13).....	S-1629	Motor, 105-125 volts 60-cycle motor complete.....
12011	Resistor-27,000 ohms, carbon type, 1 watt (R14).....	S-1630	Motor, 105-125 volts 25-cycle motor complete.....
11364	Resistor-33,000 ohms, carbon type, 1/4 watt (R7).....	S-1631	Turntable-Turntable assembly complete with rotor laminations 60-cycle operation.....
5029	Resistor-56,000 ohms,carbon type, 1/4 watt (R1).....		
11282	Resistor-56,000 ohms, carbon type, 1/10 watt (R5).....		
11365	Resistor-82,000 ohms, carbon type, 1/4 watt (R12).....		
5145	Resistor-100,000 ohms, carbon type, 1/4 watt (R9).....		
11398	Resistor-220,000 ohms, carbon type, 1/10 watt (R6).....		
11323	Resistor-270,000 ohms, carbon type, 1/4 watt (R10).....		

REPLACEMENT PARTS (Continued)

Insist on genuine factory tested parts, which are readily identified and may be purchased from authorized dealers.

STOCK No.	DESCRIPTION	STOCK No.	DESCRIPTION
S-1632	Turntable - Turntable assembly complete with rotor laminations 25-cycle operation.....	11886	Washer-Spring washer to hold field coil securely -
4083	Washer - Leather washer -		
4084	Washer - Metal washer -		
	PICKUP AND ARM ASSEMBLIES		MISCELLANEOUS ASSEMBLIES
3812	Armature-Pickup armature.....	13564	Cable-3-conductor shielded input cable, approximately 32 $\frac{1}{2}$ inches long, connects receiver to radio-record switch.....
S-1694	Coil-pickup coil.....	S-1592	Capacitor-0.25 Mfd. (C51).....
4543	Damper-Pickup damper block complete with damper plate.....	12037	Coil-Filter choke coil L-60 (used only on 60-cycle models).....
S-1695	Pickup and arm complete.....	12785	Crystal - Station selector escutcheon and crystal.....
3811	Screw-Needle holding screw-	12699	Knob - Large station selector knob.....
	REPRODUCER ASSEMBLIES	12700	Knob - Small (vernier) station selector knob.....
12641	Board-3-contact reproducer terminal board.....	11347	Knob-Volume control, tone control or range switch knob-
12640	Bracket-Output transformer mounting bracket.....	11377	Screw-Chassis mounting screw and washer assembly-
12012	Coil-Field coil (L16).....	4982	Spring-Retaining spring for knob, Stock No. 12699-
11469	Coil-Neutralizing coil (L14).....	11349	Spring-Retaining spring for knob, Stock Nos.11347 and 12700-
12642	Cone-Reproducer cone and dust cap (L15).....	13563	Switch-radio record switch (S10)..
5118	Connector-3-contact male speaker cable connector.....	13565	Transformer-Phonograph input transformer (T10,C50,C52,R50,R51,R52)
9699	Reproducer-complete.....		
11253	Transformer-Output transformer (T2).		

REPLACEMENT PARTS—MODELS 6M & 6M-2

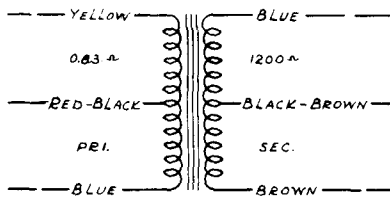
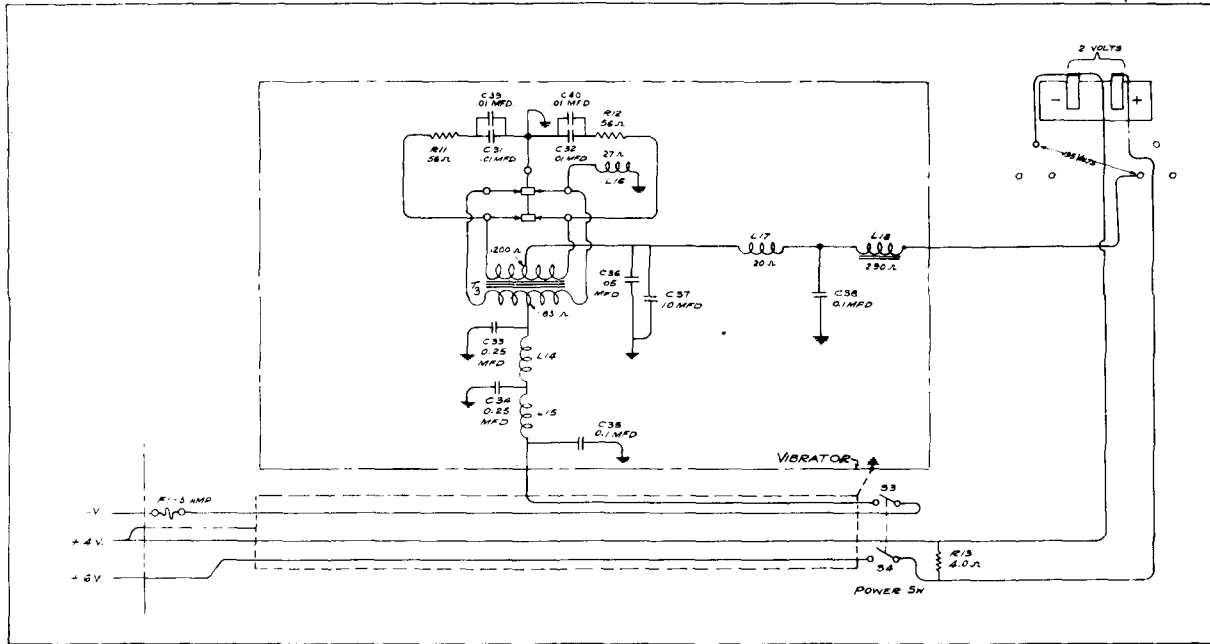
Insist on genuine factory tested parts, which are readily identified and may be purchased from authorized dealers.

STOCK NO.	DESCRIPTION	STOCK NO.	DESCRIPTION
RECEIVER ASSEMBLIES			
12511	Cap - Grid contact cap -	12266	Resistor - 39,000 ohm - insulated, 1/4 watt - (R15).....
11130	Capacitor - Adjustable capacitor- (C15).....	5132	Resistor - 47,000 ohm - carbon type, 1/10 watt - (R20).....
11289	Capacitor - 50 Mmfd. - (C25).....	12073	Resistor - 47,000 ohm - carbon type, 1 watt - (R6).....
12270	Capacitor - 80 Mmfd. - (C50).....	12286	Resistor - 56,000 ohm - insulated, 1/4 watt - (R3).....
8076	Capacitor - 115 Mmfd. - (C22).....	12263	Resistor - 100,000 ohm - insulated, 1/4 watt - (R16).....
11998	Capacitor - 115 Mmfd. - (C16,C17, C19,C20).....	11281	Resistor - 100,000 ohm - carbon type, 1/10 watt - (R8).....
11181	Capacitor - 265 Mmfd. - (C11,C21, C35,C36).....	12264	Resistor - 220,000 ohm - insulated, watt - (R21).....
11171	Capacitor - 400 Mmfd. - (C26).....	11452	Resistor - 470,000 ohm - carbon type, 1/10 watt - (R5,R7).....
4210	Capacitor - 600 Mmfd. - (C47).....	12285	Resistor - 470,000 ohm - insulated, 1/4 watt - (R1).....
4094	Capacitor - 690 Mmfd. - (C41).....	12287	Resistor - 1.5 megohm - insulated, 1/4 watt - (R13,R14).....
12268	Capacitor - 1,400 Mmfd. - (C4).....	3584	Ring - Retaining ring for R.F. or oscillator coil.....
12269	Capacitor - 2,200 Mmfd. - (C9).....	5129	Ring - Radiotron shield ring -
5005	Capacitor - .0035 Mfd. - (C34).....	3623	Shield - R.F. or oscillator coil shield.....
5148	Capacitor - .007 Mfd. - (C24,C38, C51).....	12290	Shield - Radiotron shield.....
4858	Capacitor - .01 Mfd. - (C3,C23, C32,C33).....	4786	Socket - 6-contact 6D6 or 85 Radiotron socket.....
4870	Capacitor - .025 Mfd. - (C27).....	12243	Socket - 7-contact 6A6 Radiotron socket.....
5196	Capacitor - .035 Mfd. - (C31).....	12227	Socket - 8-contact 6A8, 6C5 or 6K7 Radiotron socket.....
4836	Capacitor - .05 Mfd. - (C18).....	12241	Socket - Vibrator socket.....
4841	Capacitor - 0.1 Mfd. - (C12).....	12226	Stud - Variable tuning condenser mounting stud assembly -
12237	Capacitor - .25 Mfd. - (C29,C37, C39).....	12228	Transformer - First I.F. - (L6,L7, C16,C17,R5,R7).....
5019	Capacitor - 0.5 Mfd. - (C43).....	12230	Transformer - Output transformer- (T1,T2).....
12234	Capacitor - 8 Mfd. - (C48).....	12229	Transformer - Second I.F. transformer - (L8,L9,C19,C20,C21,R20).....
12233	Capacitor Pack - Comprising 2 sections each .01 Mfd. - (C45, C46).....	12231	Transformer - Fibrator power transformer - (T3).....
12238	Capacitor Pack - Comprising one 8 Mfd. and two 10 Mfd. sections - (C28, C30, C49).....	12236	Vibrator complete.....
12223	Coil - Antenna coil - (L3).....	12240	Volume Control - (R9).....
12235	Coil - Choke coil - (L12).....	CONTROL BOX AND FLEXIBLE SHAFT ASSEMBLIES	
12225	Coil - Oscillator coil - (L16,L17)	12505	Box - Control box complete - less flexible shafts.....
12224	Coil - R.F. coil - (L4, L5).....	12578	Dial - Station selector indicator dial (standard).....
12220	Condenser - 3-gang variable tuning condenser-(C5,C6,C7,C8,C13,C14).	12579	Knob - Station selector (tuning) knob (standard).....
12006	Core - Adjustable core for I. F. transformer Stock No. 12228 and No. 12229.....	12580	Knob - Volume control knob (standard).....
12289	Coupling - Station selector flexible shaft coupling.....	11891	Lamp - Control box dial lamp -
12239	Filter - Antenna filter - (L1,L2, C2).....	12504	Shaft - Tuning control flexible shaft complete - approx. 21½ in. long.....
12221	Gear - Variable tuning condenser shaft drive gear.....	12503	Shaft - Volume control flexible shaft complete - approx. 21½ in. long.....
12222	Gear - Variable tuning condenser worm gear.....	REPRODUCER ASSEMBLIES, Model 6M	
12242	Guide - Station selector shaft guide.....	12482	Board - Reproducer terminal board..
12483	Pin - Contact pin for speaker leads (used in 6M only)	12450	Coil - Field coil - (L14).....
12485	Pin - Contact pin for tone control lead (used in 6M only) -	12451	Cone - Reproducer cone complete - (L15).....
12232	Reactor - Filter reactor - iron core - (L13).....	9687	Reproducer - Reproducer complete..
5034	Resistor - 56 ohm - carbon type, 1/2 watt - (R18,R19).....		
12481	Resistor - 330 ohm - insulated, 1/4 watt - (R2).....		
12262	Resistor - 680 ohm - insulated, 1/4 watt - (R4).....		
12267	Resistor - 1,200 ohm - insulated, 1/4 watt - (R17).....		
8097	Resistor - 5,600 ohm - carbon type, 2 watt - (R11).....		
12265	Resistor - 6,800 ohm - insulated, 1/4 watt - (R10).....		
12288	Resistor - 10,000 ohm - insulated, 1/4 watt - (R12).....		

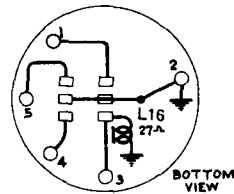
REPLACEMENT PARTS—(Continued)

STOCK NO.	DESCRIPTION	STOCK NO.	DESCRIPTION
	REPRODUCER ASSEMBLIES Model 6M2	5023	Fuse - "A" lead fuse - 15 amp. -
12526	Board - 2-contact reproducer terminal board.....	12449	Grille - Speaker grille assembly (used on 6M only).....
12525	Cable - Shielded reproducer cable complete with 3-contact male connector.....	12456	Housing - Receiver housing complete (used on 6M only).....
12524	Coil - Field coil - (L14).....	12460	Housing - Receiver case complete (used on 6M2 only).....
12523	Cone - Reproducer cone - (L15)....	4290	Insulator - Fuse connector insulator -
12527	Housing - Reproducer housing complete.....	4323	Knob - Tone control knob (used on 6M only) -
9691	Reproducer - Reproducer complete..	4132	Knob - Tone control knob (used on 6M2 only) -
12528	Screw - Reproducer housing screw-	12445	Lead - "A" lead (set end), approx. 8 in. long, complete with male section of connector.....
	MISCELLANEOUS ASSEMBLIES	12506	Plate - Name plate and mounting screws (used in 6M only).....
4287	Body - Antenna cable female connector body -	12507	Plate - Name plate and mounting screws (used in 6M2 only)....
4289	Body - "A" lead fuse connector body -	12508	Plate - RCA monogram and rivets (used on 6M2 only).....
12510	Button - Plug button for receiver housing (used in 6M only).....	12609	Ring - Rubber ring for speaker mounting (used on 6M2 only)...
12444	Cable - Shielded antenna cable approx. 8 in. long, complete with female-section of connector.....	12459	Screw - Speaker mounting screw assembly, consisting of 1 screw, 1 nut, and 1 lock-washer to mount speaker in case (used on 6M only)
12473	Cable - Shielded antenna lead-in cable, approx. 31 in. long, complete with 2 male connections of connector.....	12533	Screw - Self-tapping slotted hex. head, 1/4 in. long used in receiver housing -
4288	Cap - Male connector cap for "A" lead or antenna cable -	4393	Screw - Set screw for tone control knob Stock No. 4132 (used on 6M2 only)-
5025	Capacitor - Generator capacitor...	12248	Socket - 3-contact socket and bracket assembly for reproducer cable.....
4293	Capacitor - Ammeter capacitor.....	12502	Socket - Pin socket and bracket assembly for tone control lead.
11418	Capacitor - .5 Mfd. - (C42).....	4284	Spring - Antenna cable connector spring -
4291	Clip - "A" lead ammeter clip -	12448	Stud - Receiver mounting stud assembly, comprising 1 stud, 1 washer, 1 lockwasher and 1 nut.
12457	Cover - Receiver housing top cover (used on 6M only).....	12254	Stud - Speaker mounting stud assembly, comprising, 1 stud, 1 spacer, 1 washer, and 2 nuts (used in 6M2 only).....
12458	Cover - Receiver housing bottom cover assembly (used on 6M only)	5024	Suppressor - Distributor suppressor
12461	Cover - Receiver case bottom cover (used in 6M2 only).....	12249	Tone control - (R22).....
12462	Cover - Receiver case top cover (used in 6M2 only).....	4285	Washer - Antenna cable connector insulating washer-
12532	Fastener - Receiver housing top cover fastener -		
4286	Ferrule - Antenna cable or "A" lead connector ferrule and and bushing -		

Model V 6-1 Vibrator



Vibrator Transf.



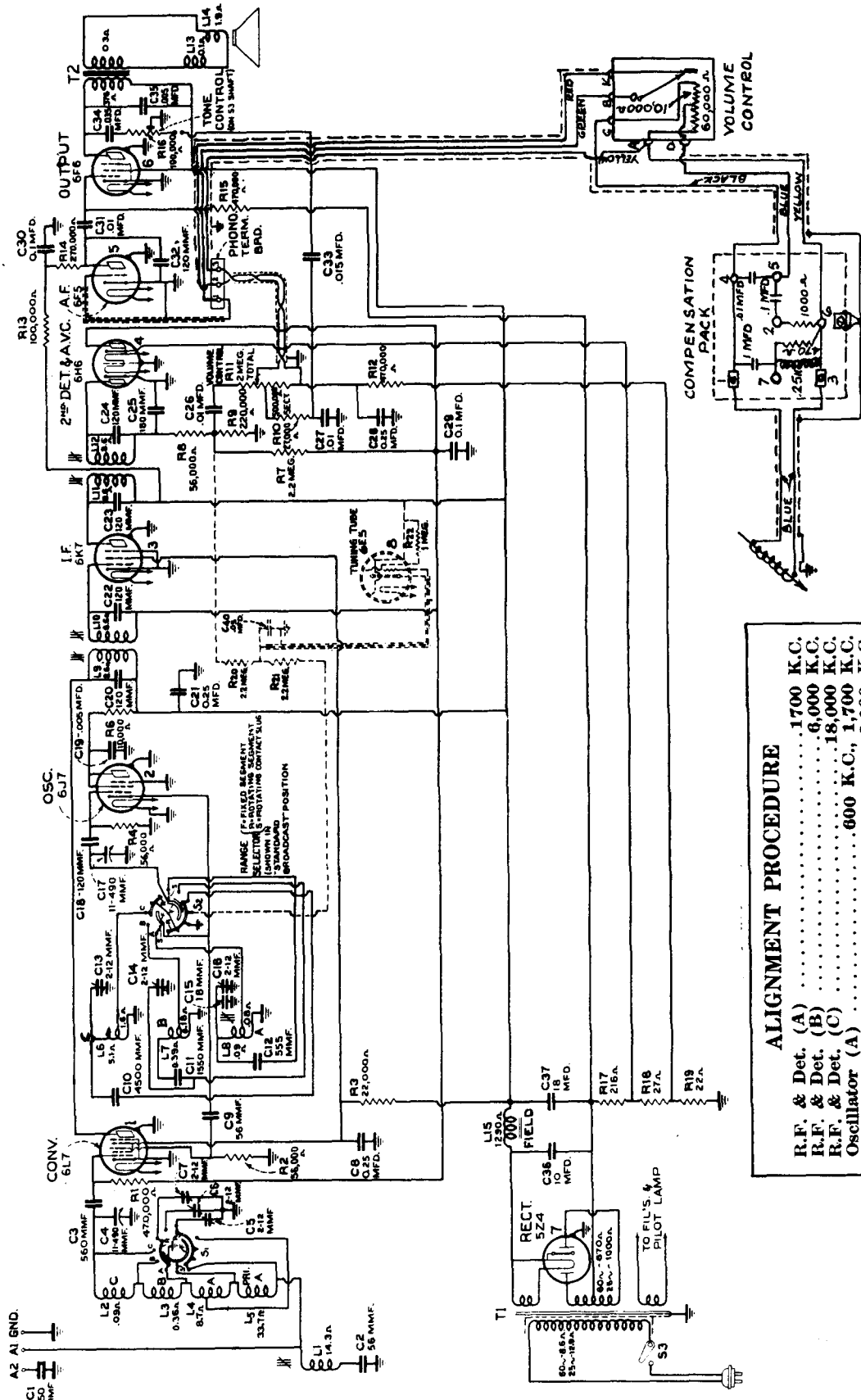
INTERNAL CONNECTIONS OF VIBRATOR

REPLACEMENT PARTS

Insist on genuine factory tested parts, which are readily identified and may be purchased from authorized dealers.

Stock No.	Description	Stock No.	Description
S-1656	Cable—Battery cable complete with fuse connector, fuse and battery clips	12819	Coil—Coil Assembly complete (L17)
6516	Connector—Fuse connector	4323	Knob—"ON" and "OFF" Knobs
10907	Fuse—3 Ampere fuse (F1)	5034	Resistor—56 ohms—carbon type ½ watt (R11, R12).....
4937	Capacitor—.01 Mfd. (C31, C32, C39, C40)	S-1659	Resistor—4 ohms, Flexible type (R13)
4791	Capacitor—.01 Mfd. (C35).....	12815	Reactor—(L14)
4836	Capacitor—.05 Mfd. (C36).....	12818	Reactor—(L18)
S-1657	Capacitor—.1 Mfd. (C38).....	S-1660	Socket 3 contact socket
S-1658	Capacitor—.25 Mfd. (C34).....	S-1627	Socket—5 contact vibrator socket....
4840	Capacitor—.25 Mfd. (C33).....	S-1661	Switch—Power switch (S3, S4).....
11387	Capacitor—10 Mfd. (C37).....	12816	Transformer—Vibrator Transformer (T3)
12179	Coil—Choke coil (L-15).....	12817	Vibrator

MODELS 8T-2 & 8K-1 A.C. Receivers MODEL 8U RCA Victrola



ALIGNMENT PROCEDURE

R.F. & Det. (A)	1700 K.C.
R.F. & Det. (B)	6,000 K.C.
R.F. & Det. (C)	18,000 K.C.
Oscillator (A)	600 K.C., 1,700 K.C.
Oscillator (B)	6,000 K.C.
Oscillator (C)	18,000 K.C.
Intermediate Frequency	460 K.C.

Align all stages for maximum peak.

REPLACEMENT PARTS FOR MODELS 8T-2, 8K-1 and 8U

Insist on genuine factory tested parts, which are readily identified and may be purchased from authorized dealers.

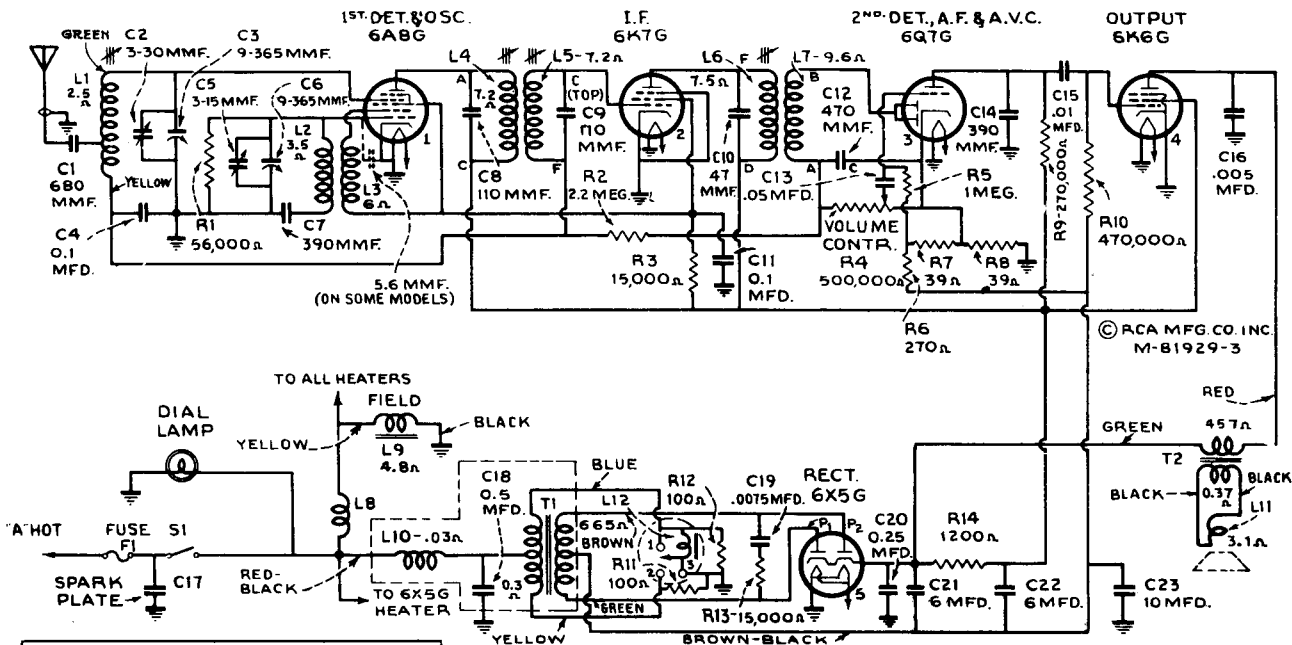
STOCK NO.	DESCRIPTION	STOCK NO.	DESCRIPTION
RECEIVER ASSEMBLIES			
12706	Arm-Hub and arm complete for operating shutter (located on range switch shaft).	12715	Resistor-Wire wound comprising one 22,000 ohm and one 10,000 ohm sections (R3,R6).
12716	Board-Antenna and ground terminal board.	4669	Screw-No.8-32 set screw for arm Stock No.12706-
12717	Board-Phonograph terminal board.	12651	Shield-Coil shield for Stock No.12708.
5237	Bushing-Variable capacitor mounting bushing assembly-	12710	Shield-Coil shield for Stock No.12709.
12730	Cable-Shielded cable approximately 14 $\frac{1}{2}$ in. long,-volume control to phono terminal board.	12735	Shield-Dial lamp shield
11625	Cable-Tuning tube cable and socket complete.	12008	Shield-I.F.transformer shield for Stock No.12652 and 12653.
12511	Cap-Grid contact cap.	12581	Shield-Shield top for I.F.transformer Stock No.12653.
12714	Capacitor-Adjustable capacitor (C5,C6,C7, C13,C14,C16).	12607	Shield-Shield top for I.F.transformer, Stock No.12652.
12722	Capacitor-18 Mmfd. (C15).	12704	Shutter-Dial scale holder and shutter assembly for band indicator.
12723	Capacitor-56 Mmfd. (C9).	11195	Socket-5-contact 5Z4 radiotron socket.
12726	Capacitor-56 Mmfd. (C2).	11198	Socket-7-contact 6J7,6K7,or 6L7 radiotron socket.
12724	Capacitor-120 Mmfd.(C18,C32).	11196	Socket-8-contact 6F5,6F6,6H6,radiotron socket.
12404	Capacitor-120 Mmfd.(C20,C22,C23,C24).	11222	Socket-Dial lamp socket.
12725	Capacitor-150 Mmfd.(C1).	11381	Socket-Tuning tube socket and cover.
12406	Capacitor-180 Mmfd.(C25).	12007	Spring-Retaining spring for core Stock No.12006,12664 and 12711-
12727	Capacitor-555 Mmfd.(C12).	12849	Spring-Tension spring for band indicator shutter link-
12537	Capacitor-560 Mmfd.(C3).	12707	Switch-Range switch (S1,S2).
12729	Capacitor-1,550 Mmfd.(C11).	12668	Tone Control-Control and Operating Switch, (R16,S3).
12728	Capacitor-4,500 Mmfd.(C10).	12652	Transformer-First I.F. transformer complete,(L9,L10,C20,C22).
4868	Capacitor-.005 Mfd.(C19,C35).	11999	Transformer-Power transformer-105-125 volts,60 cycle (T1).
4858	Capacitor-.01 Mfd.(C26,C27,C31).	12132	Transformer-Power transformer 105-125 volts,25 cycle (T1).
4792	Capacitor-.015 Mfd.(C33).	12653	Transformer-Second I.F. transformer complete (L11,L12,C23,C24,C25,R8,R9).
12670	Capacitor-.035 Mfd.(C34).	12654	Trap-Wave trap complete (L1).
4836	Capacitor-.05 Mfd.(C40).	13144	Volume Control-Control and operating switch (R11).
4883	Capacitor-0.1 Mfd.(C29).	REPRODUCER ASSEMBLIES	
11414	Capacitor-0.1 Mfd.(C30).	12641	Board-Reproducer terminal board.
S-1592	Capacitor-0.25 Mfd.(C28).	12640	Bracket-Output transformer mounting bracket.
5170	Capacitor-0.25 Mfd.(C8,C21).	12012	Coil-Field coil (L15).
11240	Capacitor-10 Mfd.(C36).	11469	Coil Neutralizing coil (L13).
*S-1674	Capacitor-18 Mfd.(C37).	12642	Cone-Reproducer cone and dust cap (L14,) (Table Model).
12708	Coil-Antenna coil and shield (L2,L3,L4,L5).	12667	Cone-Reproducer cone and dust cap (L14,) (Console Model).
12709	Coil-Oscillator coil and shield(L6,L7,L8).	5118	Connector-3-contact male connector for speaker cable.
12701	Condenser-2-gang variable tuning condenser, (C4,C17).	12666	Cover-Speaker cover (Console Model).
5119	Connector-3-contact female connector for speaker cable.	9696	Reproducer Complete (Console Model).
12711	Core-Adjustable core and stud for Stock No.12709.	9699	Reproducer Complete (Table Model).
12006	Core-Adjustable core and stud for Stock No.12652 and 12653.	11253	Transformer-Output transformer (T2).
12664	Core-Adjustable core and stud for Stock No.12654.	11886	Washer-Spring washer to hold field coil securely-
12703	Dial-Station selector dial scale.	MISCELLANEOUS ASSEMBLIES	
12702	Drive-Vernier drive for tuning capacitor.	11996	Bracket-Tuning tube mounting bracket.
12712	Indicator-Station selector indicator pointer.	12698	Crystal-Station selector crystal and escutcheon.
5226	Lamp-Indicator dial lamp 6.3 volt,	12742	Escutcheon-Tuning tube escutcheon.
12718	Mask-Dial light diffuser complete with red, orange and green colored screen.	12699	Knob-Large tuning knob.
12738	Resistor-27,000 ohms,insulated,1/4 watt(R10).	S-1662	Knob-Range switch knob.
11282	Resistor-56,000 ohm,carbon type, 1/10 watt (R8,R4).	12700	Knob-Vernier tuning knob (small).
12286	Resistor-56,000 ohm,carbon type, 1/4 watt (R2).	11347	Knob-Volume control,tone control.knob.
11281	Resistor-100,000 ohm,carbon type,1/10 watt (R13).	11210	Screw-Chassis mounting screw assembly-
11398	Resistor-220,000 ohm,carbon type,1/10 watt (R9).	4982	Spring-Retaining spring for knob Stock No.12699-
11453	Resistor-270,000 ohm,carbon type,1/10 watt (R14).		
11452	Resistor-470,000 ohm,carbon type,1/10 watt (R1,R15).		
12285	Resistor-470,000 ohm,insulated,1/4 watt, (R12).		
11382	Resistor-1 meg.,carbon type,1/10 watt(R22).		
11626	Resistor-2.2 meg.,carbon type,1/4 watt, (R7,R20,R21).		
12004	Resistor-Voltage divider comprising one 216 ohm,one 27 ohm and one 22 ohm sections (R17,R18,R19).		

*On Models 8T-2 and 8K-1 Stock #5212 - Capacitor 18 mfd. (C37).

REPLACEMENT PARTS — (Continued)

STOCK NO.	DESCRIPTION	STOCK NO.	DESCRIPTION
11349	Spring-Retaining spring for knob stock No.11347 and 12700-	11752	Brake-Automatic brake and switch complete.
		11751	Bushing-Motor mounting bushing and spring assembly-comprising one bushing,one large washer,one cup washer,one spring, one small washer and two nuts.
	PICK-UP AND ARM ASSEMBLIES	4577	Connector-Two-contact male connector for power supply cable.
11731	Armature-Pickup Armature.	4573	Connector-Two-contact female connector for motor cable-receiver section.
S-1667	Cable-Pickup cable.	2947	Leather-Automatic brake friction leather.-
11732	Coil-Pickup coil.	11749	Lever-Brake mechanism actuating lever-fastens to pivot shaft under base of pickup arm.
4543	Damper-Pickup damper block complete with damper plate.	11754	Lever-Friction lever assembly complete.
S-1668	Pickup and arm assembly complete.	11753	Plunger-Automatic brake trip plunger.
3811	Screw-Needle holding screw-	11750	Screw-No.4-40x9/32 in.cone pointed head-less set screw for brake mechanism actuating lever Stock #11749-
	MOTOR ASSEMBLIES	11756	Spring-Automatic stop mechanism trip lever spring-
S-1669	Ball-Steel ball bearing-	11757	Spring-Automatic stop mechanism brake lever spring-
S-1613	Base-Motor base and bearing assembly.	11755	Switch-Automatic brake switch.
S-1745	Cap-Turntable spindle cap-	11762	Box-Used needle box.
S-1614	Coil-Stator assembly comprising coil and laminations 105-125 volt,60 cycle operation.	11763	Receptacle-needle receptacle.
S-1615	Coil-Stator assembly comprising coil and laminations 105-125 volt,25-cycle operation.	S-1672	Cable-Three conductor shielded cable approximately 21 in.long-connects phonograph volume control to chassis phonograph terminal board.
11748	Damper-motor assembly comprising one damper, one damper plate,one screw,two rubber washers and one "C" washer.	S-1673	Cable-three conductor shielded cable approximately 15 in.long-connects phonograph volume control to the phonograph compensator.
S-1629	Motor,105-125 volts 60-cycle motor complete.	S-1670	Compensator-Phonograph compensator pack comprising one 470-ohm and one 1000 ohm resistors,one .01 mfd.,one 0.1 mfd.and one 1.0 mfd.capacitors& one 0.25H reactor.
S-1630	Motor,105-125 volts 25-cycle motor complete.	S-1671	Volume control-Phonograph volume control.
11746	Tripper-Automatic brake tripper located on rotor laminations.		
S-1631	Turntable-Turntable assembly complete with rotor laminations 60-cycle operation.		
S-1632	Turntable-Turntable assembly complete with rotor laminations 25-cycle operation.		
4083	Washer-Leather washer-		
4084	Washer-Metal washer-		

Model 8M Automobile Receiver



© RCA MFG. CO. INC.
M-81929-3

ALIGNMENT PROCEDURE
 R.F. 1400 K.C., 600 K.C.
 Osc. 1400 K.C.
 I.F. 460 K.C.
 Adjust for max. peak

REPLACEMENT PARTS MODEL 8M

Insist on genuine factory tested parts, which are readily identified and may be purchased from authorized dealers.

STOCK No.	DESCRIPTION	STOCK No.	DESCRIPTION
RECEIVER ASSEMBLIES			
11350	Cap-Grid contact cap-	12418	Screw-No.8-32 x 3/16-in. slab-head set screw for drum, Stock No.30630-
30637	Capacitor-Adjustable trimmer (C2).....	30638	Shield-Radiotron shield.....
12405	Capacitor-47 Mmfd. (C10).....	13686	Socket-4-contact vibrator socket.....
14262	Capacitor-110 Mmfd. (C8,C9).....	11196	Socket-8-contact Radiotron socket....
13894	Capacitor-390 Mmfd. (C7,C14).....	30631	Spring-Tension spring for drive cord-
30673	Capacitor-470 Mmfd. (C12).....	14376	Transformer-First I.F. transformer (L4, L5,C8,C9).....
14498	Capacitor-680 Mmfd. (C1).....	30672	Transformer-Second I.F. transformer (L6, L7,C10,C12).....
4838	Capacitor-.005 Mfd. (C16).....	30633	Transformer-Vibrator power transformer (T1,L10,C18).....
30626	Capacitor-.0075 Mfd. (C19).....	13688	Vibrator-Plug-in vibrator (L12).....
14393	Capacitor-.01 Mfd. (C15).....	30628	Volume Control and "ON-OFF" switch (R4, S1).....
4886	Capacitor-.05 Mfd. (C13).....	REPRODUCER ASSEMBLIES (84147-2)	
4839	Capacitor-0.1 Mfd. (C4,C11).....	30782	Cone-Reproducer cone and voice coil(L11)
12484	Capacitor-0.25 Mfd.(C20).....	30781	Reproducer,complete (L9,L11,T2).....
30634	Capacitor Pack-Comprising two 6 Mfd.and one 10 Mfd. sections (C21,C22,C23).....	30783	Transformer-Output transformer (T2)....
4358	Clamp-Mounting clamp for capacitor pack, Stock No.30634.....	MISCELLANEOUS ASSEMBLIES	
30639	Coil-Antenna coil-less shield (L1).....	5025	Capacitor-Generator capacitor.....
30636	Coil-Oscillator coil (L2,L3).....	5023	Fuse-15 amp.-
30627	Condenser-2-gang variable tuning condenser (C3,C5,C6).....	4290	Insulator-Fuse-holder insulating sleeve-
30632	Cord-Drive cord.....	30642	Knob-Tuning or volume control knob....
30629	Dial-Dial scale and holder.....	11765	Lamp-Dial lamp.....
30630	Drum-Dial drive drum,complete with set screws.....	7766	Lead-"A" lead (ammeter end),complete with female section of fuse holder....
12415	Resistor-39 ohms,insulated, 1/2 watt (R7,R8)	30641	Lead-"A" lead (chassis end), complete with male section of fuse holder.....
30540	Resistor-100 ohms,insulated, 1/2 " (R11,R12)	30643	Lead-Shielded antenna lead (chassis end), complete with female section of connector.....
30929	Resistor-270 ohms,carbon type, 1/2 watt (R6)	30645	Mounting-Complete set of brackets,nuts, washers,and screws for mounting receiver
6134	Resistor-1,200 ohms,carbon type,1 watt (R14).....	30644	Socket-Dial lamp socket and lead.....
12695	Resistor-15,000 ohms,insulated, 1/2 watt(R13)	5024	Suppressor-Distributor suppressor.....
14166	Resistor-15,000 ohms,carbon type,2 watt(R3)		
12286	Resistor-56,000 ohms,insulated, 1/2 watt(R1)		
12199	Resistor-270,000 ohms,insulated, 1/2 watt(R9)		
12285	Resistor-470,000 ohms,insulated, 1/2 watt(R10)		
13730	Resistor-1 Megohm,insulated, 1/2 watt (R5)..		
12679	Resistor-2.2 Megohm,insulated, 1/2 watt(R2).		
5129	Ring-Retaining ring for Radiotron shield-		

Model 8M-3 Automobile Receiver

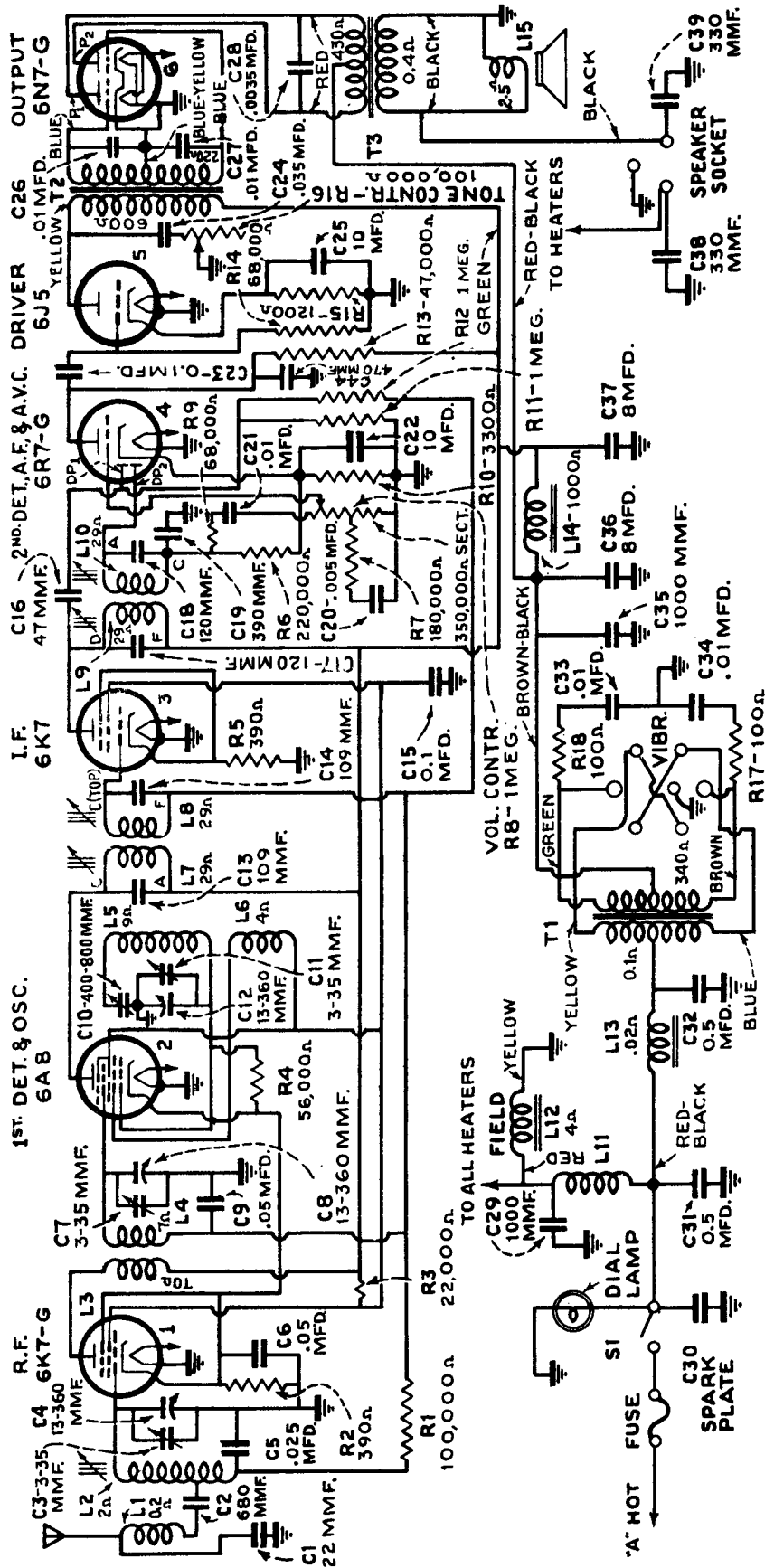


Figure 3—Schematic Circuit Diagram (Model 8M3)

See Page 214 for Alignment Procedure

ALIGNMENT PROCEDURE (8M1-8M3)

Order of Alignment	Test Oscillator			Receiver Dial Setting	Circuit to Adjust	Adjustment Symbols		Adjust to Obtain
	Connection to Receiver	Dummy Antenna	Frequency Setting			8M1	8M3	
1	6K7 I-F Grid Cap	.001 Mfd.	260 kc	No Signal 550-750 kc	2nd I-F Trans.	L8 and L9	L9 and L10	Max. (peak)
2	6A8 Det. Grid Cap	.001 Mfd.	260 kc	No Signal 550-750 kc	1st I-F Trans.	L6 and L7	L7 and L8	Max. (peak)
3	Ant. Conn.	150 Mmfd.	600 kc	600 kc	L-F Osc.	C10	C10	Max. (peak)
4	Ant. Conn.	150 Mmfd.	1,400 kc	1,400 kc	H-F Osc.	C11	C11	Max. (peak)
5	Ant. Conn.	150 Mmfd.	600 kc	Rock Thru 600 kc	L-F Osc.	C10	C10	Max. (peak)
6	Ant. Conn.	150 Mmfd.	1,400 kc	1,400 kc	H-F Osc.	C11	C11	Max. (peak)
7	Ant. Conn.	150 Mmfd.	1,400 kc	1,400 kc	Det.	C6	C7	Max. (peak)
8	Ant. Conn.	150 Mmfd.	1,400 kc	1,400 kc	Ant.	C2*	C3*	Max. (peak)

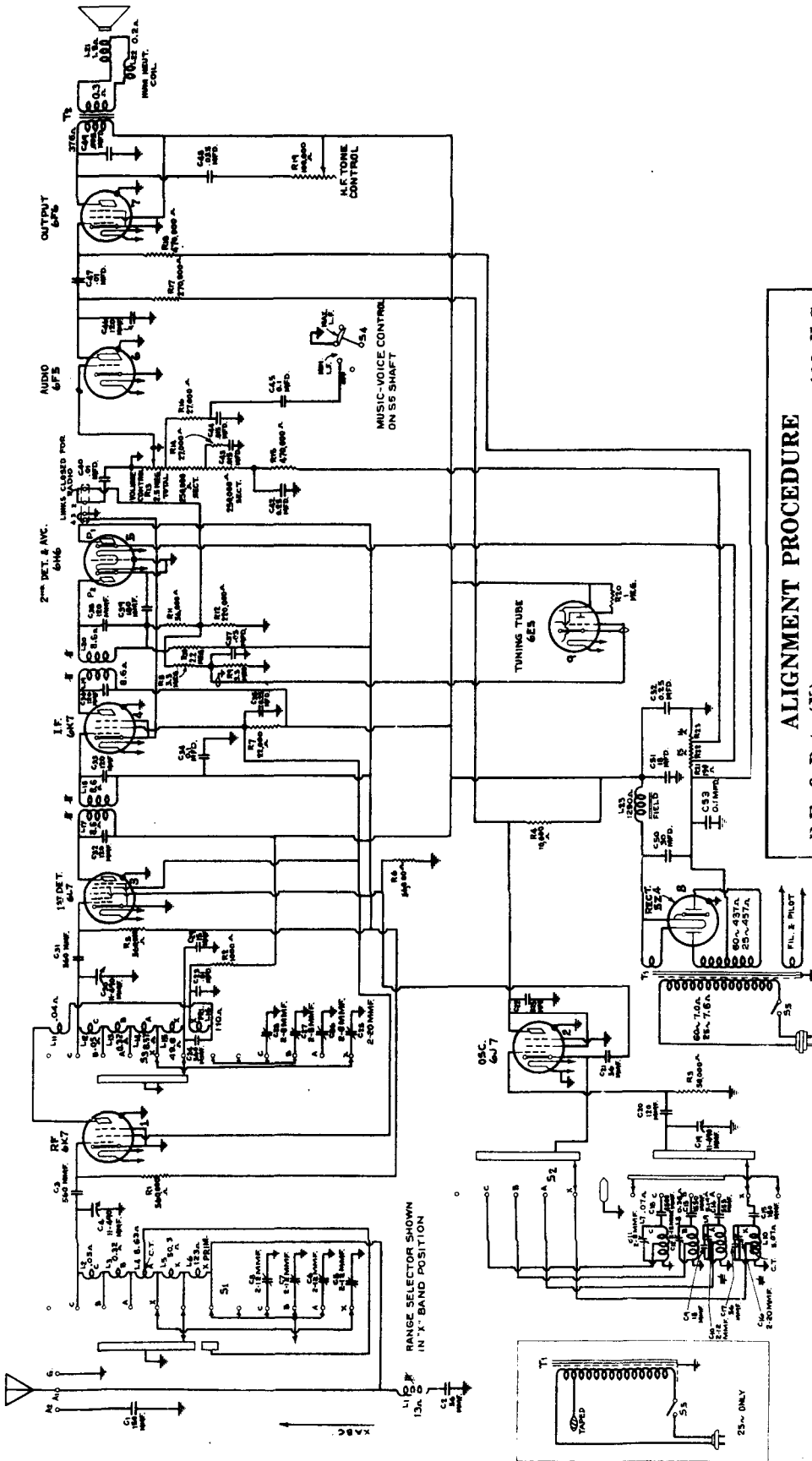
*Re-adjust C2 (or C3 in 8M3) after installation as outlined under "Antenna Compensating Capacitor."

REPLACEMENT PARTS MODEL 8M1

Insist on genuine factory tested parts, which are readily identified and may be purchased from authorized dealers.

STOCK NO.	DESCRIPTION	STOCK NO.	DESCRIPTION
RECEIVER ASSEMBLIES			
13543	Bracket-Chassis mounting bottom bracket and studs assembly.....	30796	Transformer-First I-F transformer (L5,L7,C13,C14).....
11978	Capacitor-adjustable trimmer (C10).....	30483	Transformer-Second I-F transformer (L8,L9,C17,C18).....
30802	Capacitor-.22 Mmfd. (C36).....	30795	Transformer-Output transformer (T2)...
14262	Capacitor-.109 Mmfd. (C13,C14).....	30799	Transformer-Vibrator power transformer (T1,L12,C28).....
12404	Capacitor-.120 Mmfd. (C17,C18).....	13688	Vibrator-Plug-in vibrator.....
13894	Capacitor-.390 Mmfd. (C19).....	13420	Volume Control (R9).....
14498	Capacitor-.680 Mmfd. (C1).....	REPRODUCER ASSEMBLIES	
30800	Capacitor-1.000 Mmfd. (C27).....		
4907	Capacitor-.005 Mfd. (C24).....		
30626	Capacitor-.0075 Mfd. (C16).....	12482	Board-Reproducer terminal board.....
14393	Capacitor-.01 Mfd. (C21).....	12450	Coil-Field coil (L12).....
4883	Capacitor-.01 Mfd. (C22,C23).....	12451	Cone-Reproducer cone complete (L15)...
4870	Capacitor-.025 Mfd. (C4).....	9687	Reproducer-Complete.....
5196	Capacitor-.035 Mfd. (C32).....	CONTROL BOX ASSEMBLIES	
4886	Capacitor-.05 Mfd. (C5,C8).....		
11414	Capacitor-.01 Mfd. (C15).....		
30797	Capacitor Pack-Comprising two sections each Mmfd. (C30,C31).....		
30792	Coil-Oscillator coil-less shield (L4,L5)...	30817	Cord-Dial drive cord-25 ft. length only
30793	Coil-Antenna coil and shield (L1).....	30820	Cover-Cover shell and spring used on control shafts, beneath knobs.....
30794	Coil-R.F. coil-less shield (L2,L3).....	30818	Dial-Round etched glass dial.....
30790	Condenser-3-gang variable tuning condenser (C2,C3,C6,C7,C11,C12).....	30813	Dial Unit-Comprising round dial, escutcheon, pointer disc, spring barrel, and cord assembled-less dial lamp and dial lamp socket.....
12006	Core-Adjustable core and stud for I.F. transformers.....	30819	Indicator-Indicator pointer disc.....
12882	Core-Adjustable core and stud for antenna coil.....	11765	Lamp-Dial Lamp (Mazda ,51).....
30798	Coupling-Tuning condenser flexible shaft insulating coupling.....	30816	Socket-Dial lamp socket and lead.....
13691	Filter-Antenna filter (L14).....	30814	Tuning unit-Comprising knob shaft, bearing and gear case-less knob.....
30791	Gear-Large gear located on shaft of tuning condenser.....	30815	Volume Unit-Comprising knob shaft, bearing, and on-off switch-less knob..
13694	Guide-Volume control flexible shaft guide.	MISCELLANEOUS ASSEMBLIES	
S-1948	Pin-Contact pin for reproducer lead.....	4293	Capacitor-Ammeter capacitor.....
30801	Pin-Contact pin for tone control lead....	5025	Capacitor-Generator capacitor.....
13696	Reactor-Filter reactor (L20).....	13109	Capacitor-.0.5 Mfd. (C26).....
14561	Resistor-220 ohms, insulated, 1/2 watt (R2)...	5023	Fuse-15 ampere-
30538	Resistor-330 ohms, insulated, 1/2 watt (R5)...	C-1942	Grille-Reproducer
5164	Resistor-560 ohms, carbon type, 1/2 watt (R13)...		Grille.....
6134	Resistor-1200 ohms, carbon type, 1 watt (R14)...	4290	Insulator-Fuse holder insulating sleeve-
30146	Resistor-4700 ohms, insulated, 1/2 watt (R8)...	30642	Knob-Tone control knob.....
12695	Resistor-15,000 ohms, insulated, 1/2 watt (R15)...	7766	Lead-"A" lead-ammeter end-complete with female section of fuse holder...
11671	Resistor-18,000 ohms, carbon type, 2 watt (R6).....	12445	Lead-"A" lead-chassis end-complete with male section of connector.....
12286	Resistor-56,000 ohms, insulated, 1/2 watt (R4)...	S-1944	Screen-Reproducer screen (Oxford Grey).
11281	Resistor-100,000 ohms, insulated, 1/10 watt (R1).....	30811	Shaft-Flexible shaft for tuning control-approximately 25-1/8 in. long.
12285	Resistor-470,000 ohms, insulated, 1/2 watt (R11, R12).....	13926	Shaft-Flexible shaft for volume control-approximately 25-5/8 in. long.
13730	Resistor-1 Meg., insulated, 1/2 watt (R10)....	12448	Stud-Receiver mounting stud, washer and nut assembly.....
12201	Resistor-1.5 Meg., insulated, 1/2 watt (R7)....	5024	Suppressor-Distributor suppressor.....
3584	Ring-Retaining ring for RF Coil shield-	12249	Tone Control (R16).....
5129	Ring-Retaining ring for Radiotron shield-		
13472	Ring-Retaining ring for oscillator coil shield-		
13471	Ring-Retaining ring for antenna coil shield-		
12218	Shield-Radiotron shield.....		
13686	Socket-4-contact vibrator socket.....		
11196	Socket-8-contact Radiotron socket.....		
12007	Spring-Retaining spring for core Stock #12882 or 12006		

Models 9T-1 & 9K-1 A.C. Receivers



ALIGNMENT PROCEDURE

R.F. & Det. (X)	400 K.C.
R.F. & Det. (A)	1700 K.C.
R.F. & Det. (B)	6,000 K.C.
R.F. & Det. (C)	18,000 K.C.
Oscillator (X)	400 K.C.
Oscillator (A)	600 K.C., 1700 K.C.
Oscillator (B)	6,000 K.C.
Oscillator (C)	18,000 K.C.
Intermediate Frequency	460 K.C.

Peak all R.F. stages.
Align I.F. stages by means of oscillograph.

REPLACEMENT PARTS MODELS 9T-1 & 9K-1

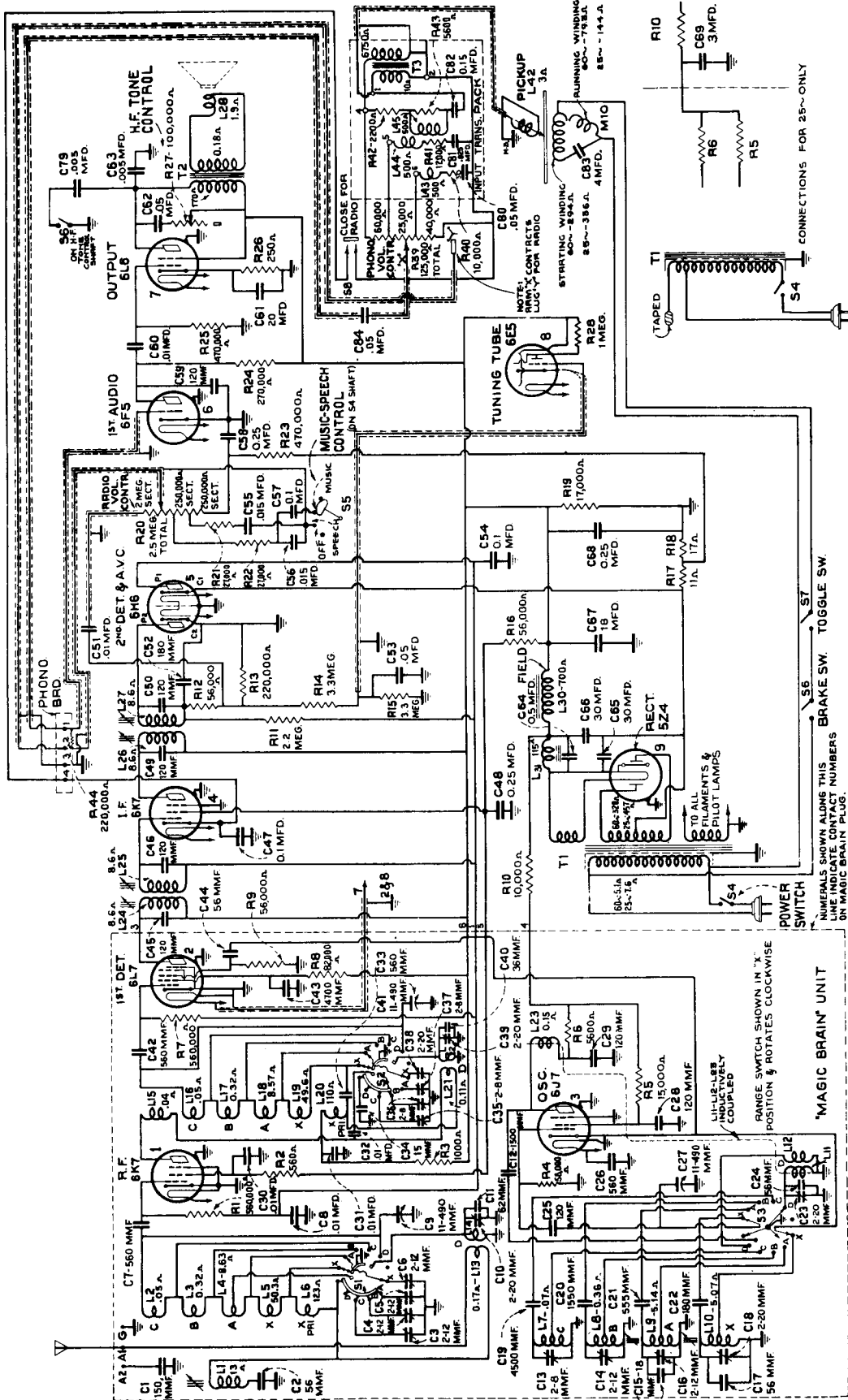
Insist on genuine factory tested parts, which are readily identified and may be purchased from authorized dealers.

Stock No.	Description	Stock No.	Description
RECEIVER ASSEMBLIES			
12806	Board - 3-contact antenna and ground terminal board.....	11453	Resistor - 270,000 ohm, carbon type, 1/10 Watt (R17).....
12863	Board - 4-contact and 2-link phono-graph terminal board.....	11172	Resistor - 470,000 ohm, carbon type, 1/4 Watt (R15).....
12929	Bracket - Mounting bracket for L.F. tone control or volume control....	11452	Resistor - 470,000 ohm, carbon type, 1/10 Watt (R18).....
5237	Bushing - Variable condenser mounting bushing assembly -	11397	Resistor - 560,000 ohm, carbon type, 1/10 Watt (R1,R5).....
11625	Cable - Tuning lamp cable and socket	12013	Resistor - 1 Meg., Carbon type, 1/10 Watt (R20).....
12511	Cap - Grid contact cap -	12679	Resistor - 2.2 Meg., insulated, 1/4 Watt (R10).....
12884	Capacitor - Adjustable trimmer (C16, C25).....	12928	Resistor - 3.3 Meg., insulated, 1/4 Watt (R8,R9).....
12807	Capacitor - Adjustable trimmer (C11, C27,C28).....	12927	Resistor - Voltage divider resistor, comprising one 16 ohm, one 25 ohm and one 190 ohm sections (R21,R22, R23).....
12714	Capacitor - Adjustable trimmer (C5, C6,C7,C8,C10,C12,C26).....	12715	Resistor - Wire wound resistor, comprising one 10,000 ohm and one 22,000 ohm sections (R4,R7).....
12896	Capacitor - 15 Mmfd. (C29).....	4669	Screw - No. 8-32-5/32 set screw for link Stock No. 12868-
12722	Capacitor - 18 Mmfd. (C9).....	3903	Screw - No. 8-32-3/16 headless, cup point set screw for Stock No.12870
12895	Capacitor - 56 Mmfd. (C17).....	12925	Shaft - Range switch and band indicator operating shaft and hub assembly.....
12723	Capacitor - 56 Mmfd. (C2,C21).....	12651	Shield - Coil shield for Stock Nos. 12923 and 12924.....
12724	Capacitor - 120 Mmfd. (C20,C46).....	12710	Shield - Coil shield for Stock No. 12709.....
12404	Capacitor - 120 Mmfd. (C32,C33,C36, C38).....	12883	Shield - Coil shield for Stock No. 12881.....
12725	Capacitor - 150 Mmfd. (C1).....	12926	Shield - Chassis end shield and rubber mounting foot assembly-
12894	Capacitor - 180 Mmfd. (C15).....	12008	Shield - I.F. transformer shield for Stock Nos. 12652 and 12653.....
12406	Capacitor - 180 Mmfd. (C39).....	12607	Shield - I.F. transformer shield top for Stock No. 12652.....
12727	Capacitor - 555 Mmfd. (C14).....	12581	Shield - I.F. transformer shield top for Stock No. 12653.....
12537	Capacitor - 560 Mmfd. (C3,C24,C31).....	5119	Socket - 3-contact female connector for speaker leads.....
12729	Capacitor - 1,550 Mmfd. (C13).....	11195	Socket - 5-contact 5Z4 Radiotron socket.....
12728	Capacitor - 4,500 Mmfd. (C18).....	11198	Socket - 6-contact 6F5, 6H6, 6K7 or 6L7 radiotron socket.....
4838	Capacitor - .005 Mfd. (C49).....	11196	Socket - 8-contact 6F6 or 6J7 Radiotron socket.....
4883	Capacitor - .01 Mfd. (C23,C40,C47).....	11222	Socket - Upper right or lower left hand dial lamp socket.....
5196	Capacitor - .035 Mfd. (C48).....	13095	Socket - Upper left or lower right hand dial lamp socket.....
4836	Capacitor - .05 Mfd. (C37).....	11381	Socket - Tuning lamp socket and cover
4791	Capacitor - 0.1 Mfd. (C34,C53).....	12007	Spring - Retaining spring for core Stock Nos. 12006,12664,12800 and 12882-
5170	Capacitor - 0.25 Mfd. (C22,C52).....	12920	Switch - Range switch (S1,S2,S3)....
S-1592	Capacitor - 0.25 Mfd. (C42,C35).....	12921	Tone Control - High frequency tone control (R19).....
5212	Capacitor - 18 Mfd. (C51).....	12860	Tone Control - Low frequency tone control and power switch (S4,S5)..
12467	Capacitor - 30 Mfd. (C50).....	12652	Transfer - First I.F. Transformer, complete (L17,L18,C32,C33).....
12923	Coil - Antenna coil and shield XABC bands (L2,L3,L4,L5,L6).....	12918	Transformer - Power transformer, 105-125 volt,50-60 Cycle (T1).....
12924	Coil - Detector coil and shield XABC bands (L11,L12,L13,L14,L15,L16)....	12857	Transformer - Power transformer, 105-125 volt, 25 cycle (T1).....
12709	Coil - Oscillator coil and shield ABC bands only (L7,L8,L9).....	12653	Transformer - Second I.F. transformer, complete (L19,L20,C36,C38,C39,R11, R12).....
12881	Coil - Oscillator coil and shield X band only (L10).....	12654	Trap - Wave trap, complete (L1).....
12859	Compensator Pack - Comprising two sections .015 Mfd. each, one section .1 Mfd. and two resistors 27,000 ohms each (C43,C44,C45,R14,R16)....	12861	Volume Control (R13).....
12922	Condenser - 3-gang variable tuning condenser (C4,C19,C30).....		
12664	Core - Adjustable core and stud for Stock No.12654.....		
12800	Core - Adjustable core and stud for Stock No. 12709.....		
12882	Core - Adjustable core and stud for Stock No. 12881.....		
12006	Core - Adjustable core and stud for Stock No. 12652 and 12653.....		
12870	Dial - Vernier dial and disc assembly		
5226	Lamp - Dial lamp - 6.3 volt -		
12868	Link - Range switch and band indicator operating link, complete with set screws.....		
5112	Resistor - 1,000 ohm, carbon type, 1/4 watt (R2).....		
11282	Resistor - 56,000 ohm, carbon type, 1/10 watt (R11,R3).....		
11286	Resistor - 56,000 ohm, insulated type 1/4 Watt (R6).....		
11398	Resistor - 220,000 ohm, carbon type, 1/10 Watt (R12).....		

MODELS 9T-1 & 9K-1 Continued

Stock No.	DESCRIPTION	Stock No.	DESCRIPTION
REPRODUCER ASSEMBLIES			
12641	Board - Reproducer terminal board...	12911	Screen - Dial lamp screen and light diffuser.....
12640	Bracket - Output transformer mounting bracket.....	4669	Screw - set screw for flexible coupling or gear, Stock Nos. 12905 and 12906 -
12012	Coil - Field coil (L14).....	12901	Shaft - Direct drive shaft and pinion gear for planetary drive.....
11469	Coil Neutralizing coil (L13).....	12900	Shaft - Vernier drive shaft for planetary drive.....
12642	Cone - Reproducer cone and dust cap (L14) (Table Model).....	12903	Spring - Tension spring for planetary drive bearing -
12667	Cone - Reproducer cone and dust cap (L14) Console Model).....	12907	Spring - Tension spring for gear, Stock No. 12906-
5118	Connector - 3-contact male connector for speaker cable.....	8052	Spring - Tension spring for link, Stock No. 8051 -
12666	Cover - Speaker cover (Console Model).....		
9696	Reproducer Complete (Console Model)		
9699	Reproducer Complete (Table Model)..		
11253	Transformer - Output transformer (T2)		
11886	Washer - Spring washer to hold field coil securely -		
DRIVE ASSEMBLIES			
10705	Ball - 5/32 inch dia. steel ball for planetary drive -		
10941	Ball - 1/8-inch dia. steel ball for planetary drive bearing -		
12904	Bushing - Plate and bushing assembly for planetary drive mounting.....		
12905	Coupling - Flexitile coupling and shaft assembly, complete.....		
12909	Dial - Band indicating dial and cam assembly.....		
12899	Drive - Variable tuning condenser drive complete - including mounting bracket, drive, dial scale and indicator, less vernier dial, Stock No. 12870 and link, Stock No. 12868.		
12906	Gear - Anti-lash drive gear, complete		
12910	Gear - Sector gear and link assembly for band selector.....		
12908	Indicator - Station selector indicator pointer.....		
8051	Link - Link and roller assembly, complete with spring.....		
			MISCELLANEOUS ASSEMBLIES
		11996	Bracket - Tuning lamp mounting bracket and clamp.....
		12666	Cover - Reproducer cover assembly...
		12915	Crystal - Station selector escutcheon and crystal.....
		12742	Escutcheon - Tuning lamp escutcheon.....
		12699	Knob - Large station selector knob..
		11347	Knob - Low frequency tone control and power switch or high frequency tone control knob -
		12700	Knob - Small (vernier) station selector knob.....
		11210	Screw - Chassis mounting screw assembly -
		11349	Spring - Retaining spring for knob, Stock Nos. 11347 and 12700
		4982	Spring - Retaining spring for knob, Stock No. 12699 -

Models 9U & 9U-2 RCA Victrolas



ALIGNMENT PROCEDURE

R.F. & Det. (X)	400 K.C.
R.F. & Det. (A)	1700 K.C.
R.F. & Det. (B)	6,000 K.C.
R.F. & Det. (C)	18,000 K.C.
Oscillator (X)	400 K.C.
Oscillator (A)	600 K.C.
Oscillator (B)	6,000 K.C.
Oscillator (C)	18,000 K.C.
Intermediate Frequency	460 K.C.

Peak all R.F. stages.
Align I.F. stages by means of oscillograph.

REPLACEMENT PARTS—MODELS 9U & 9U-2

Insist on genuine factory tested parts, which are readily identified and may be purchased from authorized dealers.

STOCK No.	DESCRIPTION	STOCK No.	DESCRIPTION
	RECEIVER ASSEMBLIES		
12863	Board-4 contact and 2 link phonograph terminal board.....	12870	Dial-Vernier dial and disc assembly.
4427	Bracket-Mounting bracket for H.F. tone control, L.F. tone control or volume control.....	4340	Lamp-Dial lamp 6.3 volt, lower R.H. socket Model 9U2 only.....
12867	Cable-Tuning lamp cable and socket.	5226	Lamp-Dial lamp, 6.3 volt,
13230	Cable-2 conductor compartment and pilot lamp cable (chassis end) approx. 34-in. long complete with two female connectors Stock No. 11488-Model 9U2 only.....	12868	Link-Range switch and band indicator operating link complete with set screw.....
12511	Cap-Grid contact cap	12871	Reactor-Filter reactor (L31).....
12859	Capacitor Pack-Comprising two sections .015 Mfd., one section .1 Mfd., and two resistors 27,000 ohms each (C55, C56, C57, R21, R22)...	12865	Resistor-Voltage divider resistor-Comprising one section 250 ohm, one section 17 ohm, and one section 11 ohm (R17, R18, R26).....
12873	Capacitor Pack-Comprising one 3 Mfd. and one 20 Mfd. section used in 25 cycle Model only (C61, C69)...	12876	Resistor-10,000 ohms-wire wound-10 watt (R10).....
12724	Capacitor-120 Mmfd. (C59).....	12864	Resistor-17,000 ohms-wire wound-(R19).....
12404	Capacitor-120 Mmfd. (C45, C46, C49, C50).....	11282	Resistor-56,000 ohms-carbon type-1/10 watt (R12).....
12406	Capacitor-180 Mmfd. (C52).....	12875	Resistor-56,000 ohms-carbon type-1 watt (R16).....
4838	Capacitor-.005 Mfd. (C63, C79).....	12264	Resistor-220,000 ohms-insulated-1/4 Watt (R44).....
4624	Capacitor-.01 Mfd. (C51).....	11398	Resistor-220,000 ohms-carbon type-1/10 watt (R13).....
4858	Capacitor-.01 Mfd. (C60).....	11453	Resistor-270,000 ohms-carbon type-1/10 watt (R24).....
4836	Capacitor-.05 Mfd. (C53).....	11172	Resistor-470,000 ohms-carbon type-1/4 watt (R23).....
4886	Capacitor-.05 Mfd. (C62).....	11452	Resistor-470,000 ohms-carbon type-1/10 watt (R25).....
4841	Capacitor-0.1 Mfd. (C54).....	12013	Resistor-1 Megohm-carbon type-1/10 watt (R28).....
11414	Capacitor-0.1 Mfd. (C47).....	11626	Resistor-2.2 Megohm-carbon type-1/4 watt (R11).....
4840	Capacitor-.25 Mfd. (C58).....	12874	Resistor-3.3 Megohm-carbon type-1/4 watt (R14, R15).....
5170	Capacitor-.25 Mfd. (C48, C68).....	4669	Screw-No. 8-32-5/32 set screw for link Stock No. 12868-
12741	Capacitor-0.5 Mfd. (C64).....	3903	Screw-No. 8-32-3/16 headless cup point set screw for Stock No. 12870-
5212	Capacitor-18 Mfd. (C67).....	12869	Shaft-Range switch and band indicator operating shaft and hub-assembly.....
12872	Capacitor-20 Mfd. (C61).....		
12467	Capacitor-30 Mfd. (C65, C66).....		
5119	Connector-3-contact female connector for speaker leads.....		
4573	Connector-2-contact female connector for motor cable (Chassis End).....		
11488	Connector-2-contact female connector for phonograph compartment lamp cable (Chassis End).....		
12006	Core-Adjustable core and stud for Stock No. 12652 and 12653.....		

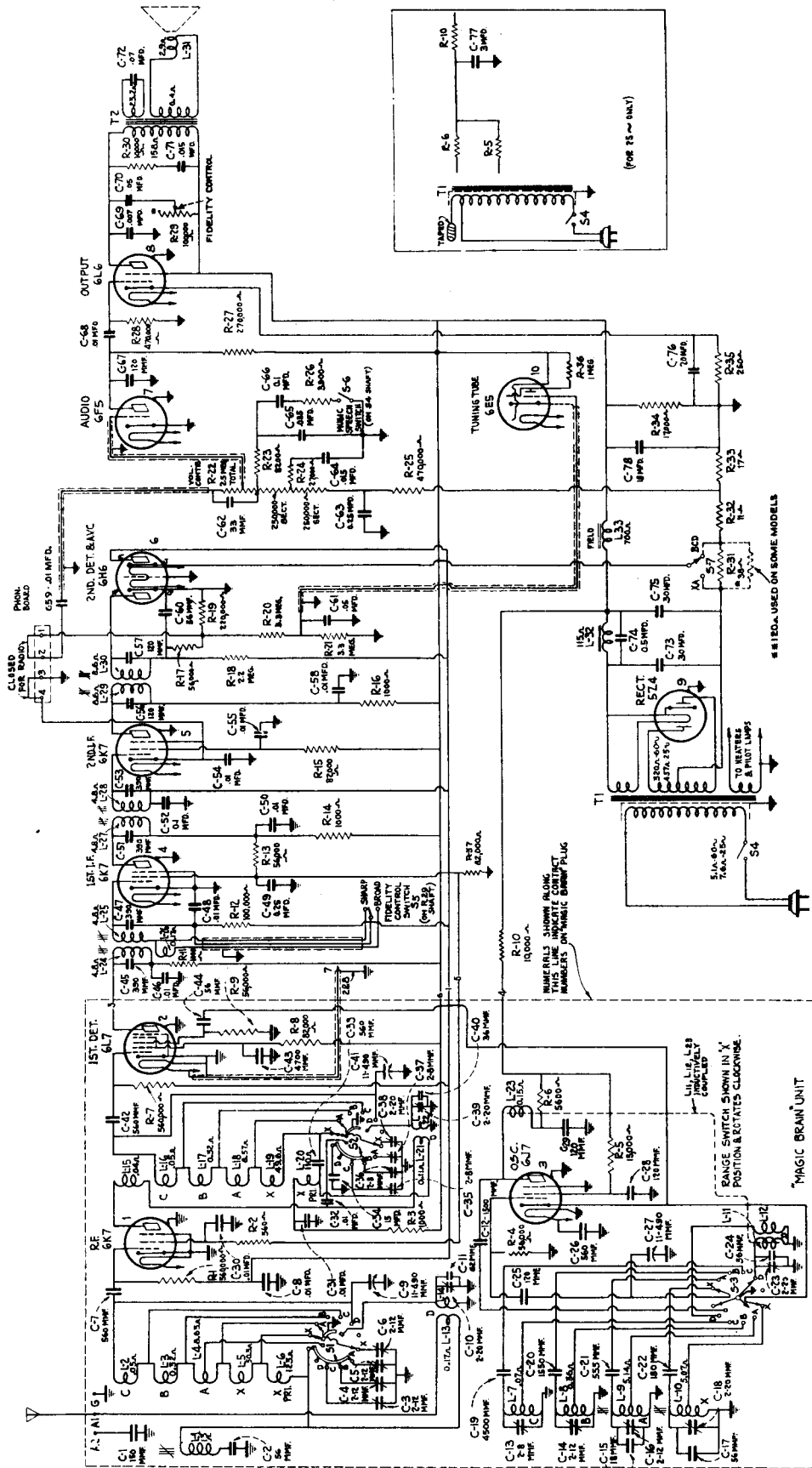
REPLACEMENT PARTS—MODEL 9U & 9U-2 Continued

STOCK No.	DESCRIPTION	STOCK No.	DESCRIPTION
12008	Shield-I.F. transformer shield for Stock No.12652,12653.....	12888	Coil-Antenna coil,"D" band (L13, L14).....
12607	Shield-I.F. transformer shield top for Stock No. 12652.....	12880	Coil-Detector coil and shield,XABC bands (L15,L16,L17,L18,L19,L20)...
12581	Shield-I.F. transformer shield top for Stock No. 12653.....	12709	Coil-Oscillator coil and shield,ABC bands (L7,L8,L9).....
12110	Shield-Shield cap for 6F5 Radiotron	12881	Coil-Oscillator coil and shield,X band only (L10).....
13095	Socket-Dial lamp socket,upper left or lower right hand.....	12890	Coil-Oscillator coil, "D" band (L11,L12,L23).....
11222	Socket-Dial lamp socket,upper right or lower left hand.....	12889	Coil-R.F. coil, "D" band (L21,L22).
11381	Socket-Tuning lamp socket and cover	12877	Condenser-3-gang variable tuning condenser (C9,C27,C41).....
11195	Socket-5-contact 5Z4 Radiotron socket.....	12887	Connector-8-contact male connector and cover for power cable,Stock No.12886.....
11198	Socket-7-contact 6H6,6K7,6L6, or 6F5 Radiotron socket.....	12664	Core-Adjustable core and stud for Stock No. 12654.....
11196	Socket-8-contact socket for R.F. Unit power cable plug.....	12800	Core-Adjustable core and stud for Stock No.12709.....
12007	Spring-Retaining spring for Stock No.12006.....	12882	Core-Adjustable core and stud for Stock No.12881.....
12860	Tone Control-Low frequency tone control and power switch (S4,S5)..	11324	Resistor-560 ohms-carbon type-1/4 watt (R2).....
13468	Tone Control-High frequency tone control (R27,S6).....	5112	Resistor-1,000 ohms-carbon type-1/4 watt (R3).....
12652	Transformer-First I.F. transformer complete (L24,L25,C45,C46).....	11298	Resistor-5,600 ohms-carbon type-1 watt (R6).....
12653	Transformer-Second I.F. transformer complete (L26,L27,C49,C50, C52,R12,R13).....	3998	Resistor-15,000 ohms-carbon type, 1/4 watt (R5).....
12856	Transformer-Power transformer, 105-125 volt,50-60 cycle (T1).....	11282	Resistor-56,000 ohms-carbon type-1/10 watt (R4,R9).....
12857	Transformer-Power transformer, 105-125 volt,25 cycle (T1).....	8064	Resistor-82,000 ohms-carbon type, 1/2 watt (R8).....
12861	Volume Control-(R20).....	11397	Resistor-560,000 ohms-carbon type, 1/10 watt (R1,R7).....
MAGIC BRAIN UNIT ASSEMBLIES		12651	Shield-Coil shield for Stock Nos. 12879 and 12880.....
12806	Board-3-contact antenna and ground terminal board.....	12710	Shield-Coil shield for Stock No. 12709.....
5237	Bushing-Variable condenser mounting bushing assembly.....	12883	Shield-Coil shield for Stock No. 12881.....
12886	Cable-Shielded power cable approx. 4-in. long complete with 8-contact male plug.....	11198	Socket-7-contact 6K7 Radiotron socket.....
12511	Cap-Grid contact cap.....	11279	Socket-7-contact 6L7 Radiotron socket.....
12714	Capacitor-Adjustable trimmer capacitor (C3,C4,C5,C6,C14,C16)...	12885	Socket-8-contact 6J7 Radiotron socket.....
12807	Capacitor-adjustable trimmer capacitor (C13,C35,C36,C37).....	12007	Spring-Retaining spring for core, Stock Nos.12664,12800,12882-
12884	Capacitor-Adjustable trimmer capacitor (C10,C18,C23,C38,C39)...	12878	Switch-Range switch and mounting nut (S1,S2,S3).....
12896	Capacitor-15 Mmfd. (C34).....	12654	Trap-Wave-trap, complete (L1).....
12722	Capacitor-18 Mmfd. (C15).....	DRIVE ASSEMBLIES	
12891	Capacitor-36 Mmfd. (C40).....	10705	Ball-5/32-inch diameter steel ball for planetary drive-
12629	Capacitor-56 Mmfd. (C24).....	10941	Ball-1/8-inch diameter steel ball for planetary drive bearing-
12895	Capacitor-56 Mmfd. (C17).....	12904	Bushing-Plate and bushing assembly for planetary drive mounting.....
12723	Capacitor-56 Mmfd. (C2,C44).....	12905	Coupling-Flexible coupling and shaft assembly complete.....
13307	Capacitor-62 Mmfd. (C11).....	12909	Dial-Band indicating dial and cam assembly.....
12724	Capacitor-120 Mmfd. (C25,C28,C29)..	12899	Drive-Variable tuning condenser drive, complete, including mounting bracket, drive, dial scale and indicator, less vernier dial, Stock No. 12870, and link, Stock No. 12868.....
12725	Capacitor-150 Mmfd. (C1).....		
12894	Capacitor-180 Mmfd.(C22).....		
12727	Capacitor-555 Mmfd. (C21).....		
12537	Capacitor-560 Mmfd. (C7,C26,C33, C42).....		
12898	Capacitor-1,500 Mmfd. (C12).....		
12729	Capacitor-1,550 Mmfd.(C20).....		
12728	Capacitor-4,500 Mmfd. (C19).....		
12897	Capacitor-4,700 Mmfd. (C43).....		
4858	Capacitor-.01 Mfd. (C8,C30,C31, C32).....		
12879	Coil-Antenna coil and shield,XABC brands (L2,L3,L4,L5,L6).....		

REPLACEMENT PARTS—MODEL 9U & 9U-2 Continued

STOCK No.	DESCRIPTION	STOCK No.	DESCRIPTION
12051	Capacitor-2 Mfd., complete with 2-contact male connector for use with motor, Stock No. 9650 or No. 9651 only (C83).....	12914	Board-3-contact reproducer terminal board.....
13101	Capacitor-4 Mfd., complete with 2-contact male connector for use with motor, Stock No. 9735 only (C83).....	12640	Bracket-Output transformer mounting bracket and clamp assembly.....
4674	Connector-2-contact male connector for Stock Nos. 12051, 13101 or phono compartment lamp leads.....	12912	Coil-Field coil (L30).....
4577	Connector-2-contact male connector motor cable.....	12667	Cone-Reproducer cone and dust cap (L28).....
11488	Connector-2-contact female connector for motor leads.....	5118	Plug-3-contact male reproducer plug.....
11542	Cover-Turntable cover.....	9736	Reproducer-Complete.....
11553	Escutcheon-Index escutcheon engraved "Manual-12-10".....	12913	Transformer-Output transformer (T2).
4340	Lamp-Phonograph compartment lamp-6.3 volts.....	11886	Washer-Spring washer to hold field coil securely-
3764	Nut-Cap nut for motor board suspension assembly.....		
3672	Pin-Manual index pin.....		
11551	Rest-Pickup rest.....		
3654	Roller-Pickup arm cable guide roller-comprising bracket, roller and guide pin.....		
11711	Shade-Phonograph compartment lamp shade.....		
3763	Suspension Spring-Suspension spring, washer and bolt assembly for motor board-Comprising one bolt, two cup washers, two springs, two "C" washers, and one cap nut.....		
4671	Switch-Operating switch-toggle type (S7).....		
11599	Turntable-Complete (9U2).....		
3-1637	Turntable Complete (9U).....		
	MISCELLANEOUS CABLE ASSEMBLIES		MISCELLANEOUS ASSEMBLIES
13226	Cable-3-conductor shielded compensator cable (volume control end), approximately 18 inches long, complete with one 4-contact female connector, Stock No. 12494.....	4391	Box-Used needle box.....
13227	Cable-3-conductor shielded compensator cable (transformer end), approximately 8 inches long, complete with one 4-contact male connector, Stock No. 12565 and three pin type terminals-for Model 9U2 only.....	11996	Bracket-Tuning lamp mounting bracket and clamp.....
13232	Cable-3-conductor shielded compensator cable (transformer end), approximately 27 inches long, complete with one 4-contact male connector, Stock No. 12565 and three pin type terminals-for Model 9U only.....	13103	Cap-Pilot lamp cap-Model 9U2 only.....
13225	Cable-3-conductor shielded volume control cable (chassis end), approximately 13 inches long, complete with one 4-contact female connector, Stock No. 12494-for Model 9U2 only.....	4836	Capacitor-.05 Mfd. (for phonograph volume control) (C84).....
13228	Cable-3-conductor shielded volume control cable (control end), approximately 9½ inches long, complete with one 4-contact male connector, Stock No. 12565.....	12915	Crystal-Station selector escutcheon and crystal.....
13231	Cable-3-conductor shielded volume control cable (chassis end), approximately 24 inches long, complete with one 4-contact female connector, Stock No. 12494-for Model 9U only.....	11580	Cover-Pilot lamp cover-Model 9U2 only.....
12494	Connector-4-contact female for cable, Stock Nos. 13225, 13226 or 13231.....	12742	Escutcheon-Tuning lamp escutcheon..
12565	Connector-4-contact male for cable, Stock Nos. 13227, 13228 or 13232...	4340	Lamp-Pilot lamp-6.3 volts-Model 9U2 only.....
		12699	Knob-Large station selector knob....
		11347	Knob-Low frequency tone control and power switch phonograph or radio volume control, range switch, or high frequency tone control knob.....
		12700	Knob-Small (vernier) station selector knob.....
		11607	Receptacle-Needle card holder.....
		11210	Screw-Chassis mounting screw assembly for Model 9U only-
		4560	Screw-Chassis mounting screw assembly (front)-Comprising one screw, one washer and one lock-washer-Model 9U2 only.....
		13102	Screw-Chassis mounting screw assembly (bottom)-Comprising one screw, two cushions, one spacer, one washer and one lock-washer- for Model 9U2 only.....
		12916	Shield-Complete R.F. unit shield...
		11573	Socket-Pilot lamp socket-Model 9U2 only.....
		11349	Spring-Retaining spring for knob, Stock Nos. 11347 and 12700-
		4982	Spring-Retaining spring for knob, Stock No. 12699-
		13415	Tube-Magic voice tube-7 inches long.....
		13416	Tube-Magic voice tube-8 inches long.....
		13417	Tube-Magic voice tube-9 inches long.....
		13127	Transformer-Phonograph input transformer-Comprising one transformer, three choke coils, three capacitors and four resistors (T3, L43, L44, L45, C80, C81, C82, R40, R41, R42, R43).....
		13126	Volume Control-Phonograph volume control and switch (R39, S8).....

Model 10K-1 A.C. Receiver



(* Resistor R31 may be 5k ohms on some models. Replace with Stock No. 12980)
 (** 120-ohm resistor not required when replacing resistor 131 with Stock No. 12980)

ALIGNMENT PROCEDURE

R.F. & Det. (X)	400 K.C.
R.F. & Det. (A)	1700 K.C.
R.F. & Det. (B)	6,000 K.C.
R.F. & Det. (C)	18,000 K.C.
Oscillator (X)	400 K.C.
Oscillator (A)	1700 K.C.
Oscillator (B)	6,000 K.C.
Oscillator (C)	18,000 K.C.

Intermediate Frequency
 Peak all R.F. stages.
 Align I.F. stages by means of oscillograph.

REPLACEMENT PARTS—MODEL 10K-1

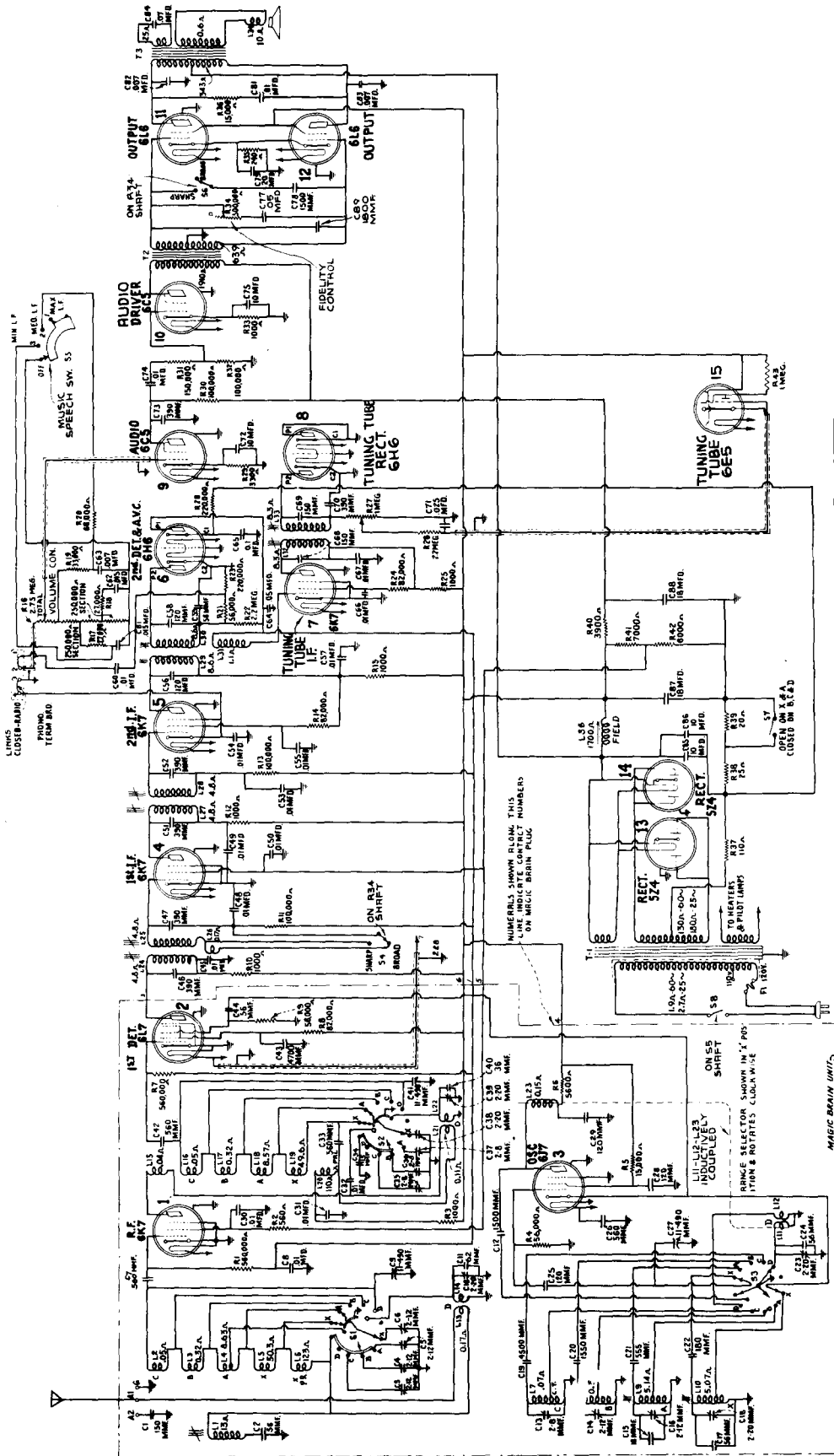
Insist on genuine factory tested parts, which are readily identified and may be purchased from authorized dealers.

Stock No.	DESCRIPTION	Stock No.	DESCRIPTION
RECEIVER ASSEMBLIES			
12863	Board-Phonograph input terminal board.....	12013	Resistor-1.0 megohm-carbon type, 1/10 watt-located in tuning tube socket, (R11).....
4427	Bracket-Volume control mounting bracket.....	11626	Resistor-2.2 megohm-carbon type, 1/4 watt (R18).....
12987	Bracket-Band changeover switch bracket.....	12874	Resistor-3.3 megohm-carbon type, 1/4 watt (R20,R21).....
12985	Cable-Tuning lamp cable and socket	12870	Scale-Vernier dial scale.....
12991	Cable-3-conductor shielded fidelity control cable, approximately 7 1/4 inches long.....	12008	Shield-Intermediate frequency transformer shield.....
12511	Cap-Grid contact cap-	12607	Shield-1st or 2nd I.F. transformer shield top.....
12948	Capacitor-33 Mmfd. (C62).....	12581	Shield-3rd I.F. transformer shield top.....
12726	Capacitor-56 Mmfd. (C60).....	11195	Socket-5-contact 5Z4 Radiotron Socket.....
12404	Capacitor-120 Mmfd. (C56,C57).....	11198	Socket-7-contact 6K7, 6L6 or 6H6 Radiotron socket.....
12724	Capacitor-120 Mmfd. (C67).....	13095	Socket-Upper left or lower right hand dial lamp socket.....
13022	Capacitor-390 Mmfd. (C45,C47,C51,C53)	11222	Socket-Upper right or lower left hand dial lamp socket.....
5148	Capacitor-.007 Mfd. (C69).....	11381	Socket-Tuning tube socket and cover.....
4883	Capacitor-.01 Mfd. (C46,C48,C50,C54,C55,C58).....	11196	Socket-Voltage supply or 6F5 Radiotron socket.....
4858	Capacitor-.01 Mfd. (C68).....	12007	Spring-Retaining spring for core in I.F. transformer-
4624	Capacitor-.01 Mfd. (C59).....	12860	Switch-Low frequency tone and power switch (S4, S6).....
11315	Capacitor-.015 Mfd. (C71).....	12988	Switch-Band changeover switch (S1, S2, S3).....
3713	Capacitor-.05 Mfd. (C70).....	12979	Tone Control-High frequency tone and fidelity control (R29, S5)...
4836	Capacitor-.05 Mfd. (C61).....	12981	Transformer-First intermediate frequency transformer (L24, L25, L26, C45, C47).....
4791	Capacitor-.01 Mfd. (C52).....	12990	Transformer-Second intermediate frequency transformer (L27, L28, C51, C53).....
5170	Capacitor-0.25 Mfd. (C49).....	12982	Transformer-Third intermediate frequency transformer (L29, L30, C56, C57, C60, R17, R19).....
4840	Capacitor-0.25 Mfd. (C63).....	12856	Transformer-Power transformer, 105-125 volts, 50/60 cycles (T1).
12741	Capacitor-0.5 Mfd. (C74).....	12857	Transformer-Power transformer, 105-125 volts, 25/60 cycles.....
5212	Capacitor-18 Mfd. (C78).....	12861	Volume Control (R22).....
12872	Capacitor-20 Mfd.-Used in 60-cycle model only (C76).....	MAGIC BRAIN UNIT ASSEMBLIES	
12467	Capacitor-30 Mfd. (C73,C75).....	12806	Board-3-contact antenna and ground terminal board.....
12873	Capacitor Pack-Comprising one 20 Mfd. and one 3 Mfd. capacitor, 25-cycle model only (C76,C77).....	5237	Bushing-Variable condenser mounting bushing assembly-
12978	Compensator Pack-Comprising one .015 Mfd., one .035 Mfd., and one 0.1 Mfd. capacitor and one 3,900 ohm, one 8,200 ohm and one 27,000 ohm resistor (C64,C65,C66,R23,R24,R26).	12886	Cable-Shielded power cable, approximately 4 inches long, complete with 8-contact male plug.....
12006	Core-Core and stud assembly for intermediate frequency transformer.	12511	Cap-Grid contact cap-
12866	Foot-Chassis foot assembly-.....	12714	Capacitor-Adjustable trimmer capacitor (C3,C4,C5,C6,C14,C16)..
5226	Lamp-Pilot lamp-	12884	Capacitor-Adjustable trimmer capacitor (C10,C18,C23,C38,C39).....
12868	Link-Link mechanism on band indicator operating arm.....	12807	Capacitor-Adjustable trimmer capacitor (C13,C35,C36,C37).....
12871	Reactor-Filter reactor (L32).....	12896	Capacitor-15 Mmfd. (C34).....
12980	Resistor-Voltage divider resistor-Comprising one 250 ohm, one 17 ohm, one 11 ohm and one 38 ohm sections (R31,R32,R33,R35).....	12722	Capacitor-18 Mmfd. (C15).....
12311	Resistor-1,000 ohms-insulated, 1/4 watt, (R11,R16).....	12891	Capacitor-36 Mmfd. (C40).....
11935	Resistor-1,000 ohms-carbon type, 1/10 watt (R14).....	12726	Capacitor-56 Mmfd. (C24).....
13097	Resistor-10,000 ohms-insulated, 1 watt, (R30).....	12895	Capacitor-56 Mmfd. (C17).....
12876	Resistor-10,000 ohms-wire wound (R10).....	12723	Capacitor-56 Mmfd. (C2,C44).....
12864	Resistor-17,000 ohms-wire wound resistor, (R34).....	13307	Capacitor-56 Mmfd. (C11).....
11282	Resistor-56,000 ohms-carbon type, 1/10 watt (R17).....	12724	Capacitor-120 Mmfd. (C25,C28,C29)..
12875	Resistor-56,000 ohms-carbon type, 1 watt (R13).....	12725	Capacitor-150 Mmfd. (C1).....
11365	Resistor-82,000 ohms-carbon type, 1/4 watt (R15).....	12894	Capacitor-180 Mmfd. (C22).....
8064	Resistor-82,000 ohms-carbon type, 1/2 watt (R37).....	12727	Capacitor-555 Mmfd. (C21).....
11281	Resistor-100,000 ohms-carbon type, 1/10 watt (R12).....	12537	Capacitor-560 Mmfd. (C7,C26,C33,C42)
11398	Resistor-220,000 ohms-carbon type, 1/10 watt (R19).....	12898	Capacitor-1,500 Mmfd. (C12).....
11323	Resistor-270,000 ohms-carbon type, 1/4 watt (R27).....		
11172	Resistor-470,000 ohms-carbon type, 1/4 watt (R25, R28).....		

REPLACEMENT PARTS—Continued MODEL 10K-1

Stock No.	DESCRIPTION	Stock No.	DESCRIPTION
12729	Capacitor-1,550 Mmfd. (C20).....	12905	Coupling-flexible coupling and shaft assembly, complete.....
12728	Capacitor-4,500 Mmfd. (C19).....	12909	Dial-Band indicating dial and cam assembly.....
12897	Capacitor-4,700 Mmfd. (C43).....	12899	Drive-Variable tuning condenser drive, complete, including mounting bracket drive, dial scale and indicator, less vernier dial, Stock No.12870 and link,Stock No. 12868.....
4883	Capacitor-.01 Mfd. (C8,C30,C31,C32)	12906	Gear-Anti-lash drive gear, complete
12879	Coil-Antenna coil and shield,XABC bands, (L2,L3,L4,L5,L6).....	12910	Gear-Sector gear and link assembly for band selector.....
12888	Coil-Antenna coil, "D" band (L13, L14,).....	12908	Indicator-Station selector indicator pointer.....
12880	Coil-Detector coil and shield,XABC bands (L15,L16,L17,L18,L19,L20)..	8051	Link-Link and roller assembly, complete with spring.....
12709	Coil-Oscillator coil and shield, ABC bands (L7,L8,L9).....	12911	Screen-Dial lamp screen and light diffuser.....
12881	Coil-Oscillator coil and shield, X band only (L10).....	4669	Screw-Set screw for flexible coupling or gear, Stock Nos.12905 and 12906,
12890	Coil-Oscillator coil, "D" band (L11,L12,L23).....	12901	Shaft-Direct drive shaft and pinion gear for planetary drive.....
12889	Coil-R.F. coil, "D" band (L21, L22).....	12900	Shaft-Vernier drive shaft for planetary drive.....
12877	Condenser-3-gang variable tuning condenser (C9,C27,C41).....	12903	Spring-Tension spring for planetary drive bearing -
12887	Connector-8-contact male connector and cover for power cable, Stock No.12886.....	12907	Spring-Tension spring for gear, Stock No.12906-
12664	Core-Adjustable core and stud for Stock No.12654.....	8052	Spring-Tension spring for link, Stock No.8051-
12800	Core-Adjustable core and stud for Stock No.12709.....	REPRODUCER ASSEMBLIES	
12882	Core-Adjustable core and stud for Stock No.12881.....	12914	Board-Reproducer terminal board....
11324	Resistor-560 ohms-carbon type, 1/4 watt (R2).....	12640	Bracket-Output transformer mounting bracket and clamp.....
5112	Resistor-1,000 ohms-carbon type, 1/4 watt (R3).....	12912	Coil-Reproducer field coil (L33)...
11298	Resistor-5,600 ohms-carbon type, 1 watt (R6).....	13291	Cone-Reproducer cone and dust cap (L31).....
3998	Resistor-15,000 ohms-carbon type, 1/4 watt (R5).....	5118	Connector-3-contact male connector for speaker leads.....
11282	Resistor-56,000 ohms-carbon type, 1/10 watt (R4, R9).....	9753	Reproducer, complete.....
8064	Resistor-82,000 ohms-carbon type, 1/2 watt (R8).....	13289	Transformer-Output transformer (T2).....
11397	Resistor-560,000 ohms-carbon type, 1/10 watt (R1,R7).....	11886	Washer-Spring washer to hold field coil securely-
12651	Shield-Coil shield for Stock Nos. 12879,12880.....	MISCELLANEOUS ASSEMBLIES	
12710	Shield-Coil shield for Stock No. 12709.....	11996	Bracket-Tuning lamp bracket and clamp.....
12883	Shield-Coil shield for Stock No. 12881.....	12915	Escutcheon-Station selector escutcheon and crystal.....
11198	Socket-7-contact 6K7 Radiotron socket.....	12742	Escutcheon-Tuning lamp escutcheon.....
11279	Socket-7-contact 6L7 Radiotron socket.....	12699	Knob-large station selector knob.
12885	Socket-8-contact 6J7 Radiotron socket.....	12700	Knob-Small (vernier) station selector knob.....
12007	Spring-Retaining spring for core, Stock Nos.12664,12800,12882-	11347	Knob-Music-Speech and power switch-volume control-range selector of fidelity control knob.....
12878	Switch-Range switch and mounting nut, (S1,S2,S3).....	11210	Screw-Chassis mounting screw assembly-
12654	Trap-Wave trap, complete (L1)....	916	Shield-Complete r.f. unit top shield.....
DRIVE ASSEMBLIES		782	Spring-Holding spring for station selector or volume control knob, Stock No.12699,
10705	Ball-5/32 inch diameter stell ball for planetary drive-	11 .9	Spring-retaining spring for knob, Stock Nos.12700 and 11347.
10941	Ball-1/8 inch diameter steel ball for planetary drive bearing-		
12904	Bushing-Plate and bushing assembly for planetary drive mounting....		

Model 15K-1 A.C. Receiver



ALIGNMENT PROCEDURE

R.F., Det. & Osc. (X)	400 K.C.
R.F., & Det. (A)	1700 K.C.
R.F., Det. & Osc. (B)	6,000 K.C.
R.F., Det. & Osc. (C)	18,000 K.C.
Oscillator (A)	600 K.C., 1700 K.C.
Intermediate Frequency	460 K.C.

Note:—Band (D) is untuned. Alignment is obtained by dressing coil bus leads in relation to the circuit components.

REPLACEMENT PARTS—MODELS 15K-1

Insist on genuine factory tested parts, which are readily identified and may be purchased from authorized dealers.

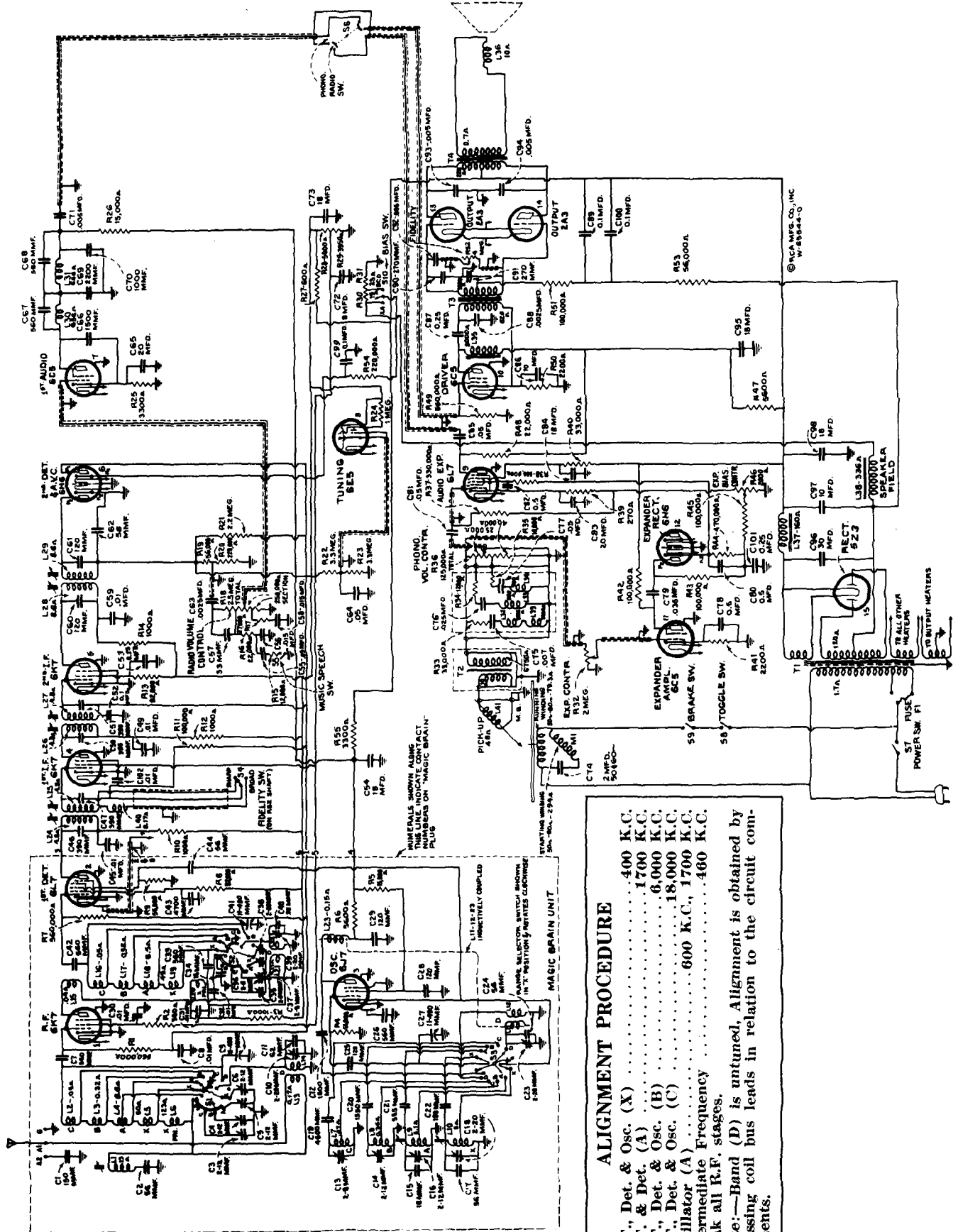
STOCK NO.	DESCRIPTION	STOCK NO.	DESCRIPTION
	RECEIVER ASSEMBLIES		
12863	Board - Phonograph terminal board..	12013	Resistor - 1 Meg Carbon type 1/10 watt-(R43).....
12987	Bracket - Mounting bracket for bias switch.....	5131	Resistor - 2.2 Meg Carbon type 1/10 watt-(R26).....
4427	Bracket - Volume control and L.F. tone control mounting bracket.....	12679	Resistor - 2.2 Meg Insulated 1/4 watt-(R22).....
13024	Cable - Tuning lamp cable and socket.....	13017	Resistor - Voltage divider comprising one 7000 ohm and one 6000 ohm sections (R41,R42).....
12511	Cap - Grid contact cap-	13018	Resistor - Voltage divider comprising one 240 ohm, one 20 ohm and 25 ohm sections (R35,R38,R39)....
12726	Capacitor - 56 Mmfd. (C59).....	4669	Screw - No.8-32x5/32 set screw for link assembly Stk. No. 12868-
12404	Capacitor -120 Mmfd. (C56,C58).....	12008	Shield - I.F. transformer shield for Stk. No. 12981, 12990, 13019 and 13020.....
13021	Capacitor -150 Mmfd. (C68,C69).....	12581	Shield - Transformer shield top for Magic Eye I.F. transformer...
13022	Capacitor -390 Mmfd. (C70).....	12607	Shield - Transformer shield top for first or second I.F. transformer.....
13034	Capacitor -390 Mmfd. (C73).....	13028	Shield - Transformer shield top for third I.F. transformer.....
13301	Capacitor -390 Mmfd. (C46,C47,C51,C52).....	11195	Socket - 5 contact 5Z4 Radiotron socket.....
12898	Capacitor -1500 Mmfd. (C78).....	11198	Socket - 7 contact 6K7 or 6L6 Radiotron socket.....
13580	Capacitor -1800 Mmfd. (C89).....	11196	Socket - 8 contact 6C5 or 6H6 Radiotron and Magic Brain power supply socket.....
13033	Capacitor -.007 Mfd. (C82,C83).....	11381	Socket - Tuning lamp socket and cover.....
4870	Capacitor -.025 Mfd. (C71).....	13095	Socket - Upper left or lower right hand dial lamp socket.....
4858	Capacitor -.01 Mfd. (C53,C45,C48,C49,C50,C54,C55,C57,C60,C66,C67,C74).....	11222	Socket - Upper right or lower left hand dial lamp socket.....
4937	Capacitor -.01 Mfd. (C81).....	12007	Spring - Retaining spring for core Stk. No. 12006
4836	Capacitor -.05 Mfd. (C64,C77).....	12986	Stud - Stud, nut and washer for connecting link assembly Stk. No. 12868 to sector gear and link Stk. No. 12910 -
4791	Capacitor -0.1 Mfd. (C65).....	12988	Switch - Bias switch (S7).....
11203	Capacitor - 10 Mfd. (C85,C86).....	13015	Tone Control - Fidelity control (R34, S4, S6).....
5212	Capacitor - 18 Mfd. (C87, C88).....	13013	Tone Control - Music-speech and power switch (S5,S8).....
12470	Capacitor - 20 Mfd. (C79).....	12981	Transformer - First I.F. transformer complete (L24,L25,L26,C46,C47)...
13011	Capacitor - Compensating pack comprising two .015 Mfd.,one .007 Mfd. capacitors and two 27,000 ohm, one 33,000 ohm, and one 68,000 ohm resistors (C61,C62,C63,R17,R18,R19,R20).....	12990	Transformer - Second I.F. transformer complete (L27,L28,C51,C52).....
13025	Capacitor - Pack comprising two 10 Mfd. sections (C72,C75).....	13019	Transformer - Third I.F. transformer complete (L29,L30,L31,C56,C58,C59,R21,R23).....
5040	Connector - 4 contact female connector for speaker cable.....	13023	Transformer - Driver transformer (T2).....
13016	Control - Magic Eye control (R27)...	13020	Transformer - Magic Eye I.F. transformer complete (L32,L33,C68,C69,C70).....
12006	Core - Adjustable core and stud for Stk. Nos. 12981, 12990, 13019 and 13020.....	13008	Transformer - Power transformer 100-120 volts 50-60 cycles (T1)..
5240	Cover - Fuse mounting cover.....	13009	Transformer - Power transformer 100-120 volts 25-50 cycles (T1)..
12870	Dial - Vernier dial scale.....	13014	Volume Control (R16).....
10907	Fuse - 3 Amp.- (F1).....		MAGIC BRAIN UNIT ASSEMBLIES
5226	Lamp - Dial lamp - 6.3 volts -	12806	Board - 3 contact antenna and ground terminal board.....
12868	Link - Range switch and band indicator operating link complete with set screws.....	5237	Bushing - Variable condenser mounting bushing assembly -
13012	Mounting - Fuse mounting 100-120 volt models only.....	12886	Cable - Shielded power cable approx. 4 in. long complete with 8 contact male plug.....
13027	Resistor - 110 ohm wire wound-used in 110 volt models only (R37).....	12511	Cap-Grid contact cap -
13030	Resistor - 1,000 ohm Carbon type 1/10 watt -(R12,R25,R33).....		
5112	Resistor - 1000 ohm Carbon type 1/4 watt - (R10,R15).....		
13031	Resistor - 3300 Ohm Carbon type 1/10 watt-(R29).....		
13032	Resistor - 3900 ohm carbon type 1 watt-(R40).....		
5114	Resistor - 15,000 ohm Carbon type 1 watt-(R36).....		
11282	Resistor - 56,000 ohms Carbon type 1/10 watt-(R21).....		
11365	Resistor-82,000 ohm Carbon type 1/4 watt-(R14,R24).....		
11281	Resistor - 100,000 ohm Carbon type 1/10 watt (R11,R13,R32).....		
12263	Resistor - 100,000 ohm Insulated 1/4 watt-(R30).....		
12478	Resistor - 150,000 ohm Carbon type 1/10 watt-(R31).....		
12264	Resistor - 220,000 ohm Insulated 1/4 Watt-(R28).....		
11398	Resistor - 220,000 ohm Carbon type 1/10 watt-(R23).....		

REPLACEMENT PARTS (Continued) MODELS 15K-1

STOCK No.	DESCRIPTION	STOCK No.	DESCRIPTION	
12714	Capacitor - Adjustable trimmer capacitor (C3, C4, C5, C6, C14, C16)...		DRIVE ASSEMBLIES	
12807	Capacitor - Adjustable trimmer capacitor (C13, C35, C36, C37).....	10705		Ball - 5/32 in. diameter steel ball for planetary drive -
12884	Capacitor - Adjustable trimmer capacitor (C10, C18, C23, C38, C39).....	10941		Ball - 1/8 in. diameter steel ball for planetary drive bearing -
12896	Capacitor - 15 Mmfd. (C34).....	12904		Bushing - Plate and bushing assembly for planetary drive mounting.....
12722	Capacitor - 18 Mmfd. (C15).....	12905		Coupling - Flexible coupling and shaft assembly complete.....
12891	Capacitor - 36 Mmfd. (C40).....	12909		Dial - Band indicating dial and cam assembly.....
12726	Capacitor - 56 Mmfd. (C24).....	12899		Drive - Variable tuning condenser drive complete including mounting bracket, drive, dial scale, and indicator less vernier dial Stk. No. 12870 and link Stk. No. 12868.....
12895	Capacitor - 56 Mmfd. (C17).....	12906		Gear - Anti-lash drive gear complete
12723	Capacitor - 56 Mmfd. (C2, C44).....	12910		Gear - Sector gear and link assembly for band selector.....
13307	Capacitor - 62 Mmfd. (C11).....	12908		Indicator - Station selector indicator pointer.....
12724	Capacitor - 120 Mmfd. (C25, C28, C29)...	8151		Link - Link and roller assembly complete with springs.....
12725	Capacitor - 150 Mmfd. (C1).....	12911		Screen - Dial lamp screen and light diffuser.....
12894	Capacitor - 180 Mmfd. (C22).....	4669		Screw - Set screw for flexible coupling or gear stock Nos. 12905 and 12906 -
12727	Capacitor - 555 Mmfd. (C21).....	12901		Shaft - Direct drive shaft and pinion gear for planetary drive....
12537	Capacitor - 560 Mmfd. (C7, C26, C33, C42).....	12900		Shaft - Vernier drive shaft for planetary drive.....
12898	Capacitor - 1500 Mmfd. (C12).....	12903		Spring - Tension spring for planetary bearing -
12729	Capacitor - 1550 Mmfd. (C20).....	12907		Spring - Tension spring for gear stock No. 12906 -
12728	Capacitor - 4500 Mmfd. (C19).....	8052		Spring - Tension spring for link stock No. 8051 -
12897	Capacitor - 4700 Mmfd. (C43).....			REPRODUCER ASSEMBLIES
4858	Capacitor - .01 Mfd. (C8, C30, C31, C32)	8059		Board - Reproducer terminal board...
12879	Coil - Antenna coil and shield XABC bands (L2, L3, L4, L5, L6).....	12640		Bracket - Output transformer mounting bracket.....
12888	Coil - Antenna coil "D" band (L13, L14).....	12474		Cone - Reproducer cone and dust cap (L34).....
12880	Coil - Detector coil and shield XABC bands (L15, L16, L17, L18, L19, L20)....	11577		Coil - Field coil, magnet and cone support (L36).....
12709	Coil - Oscillator coil and shield ABC bands (L7, L8, L9).....	5039		Connector - 4 contact male connector for reproducer leads.....
12881	Coil - Oscillator coil and shield X band only (L10).....	9719		Reproducer complete.....
12890	Coil - Oscillator coil "D" band (L11, L12, L23).....	13007		Transformer - Output transformer (T3, C84).....
12889	Coil - R.F. Coil "D" band (L21, L22)...			MISCELLANEOUS ASSEMBLIES
12877	Condenser - 3 gang variable tuning condenser (C9, C27, C41).....	11996		Bracket - Tuning tube mounting bracket and clamp.....
12887	Connector - 8 contact male connector and cover for power cable Stk. No. 12886.....	12915		Crystal - Station selector escutcheon and crystal.....
12664	Core - Adjustable core and stud for Stk. No. 12654.....	12742		Escutcheon - tuning tube escutcheon.....
12800	Core - Adjustable core and stud for Stk. 12709.....	12699	Knob - Large station selector knob.....	
12882	Core - Adjustable core and stud for Stk. 12881.....	12700	Knob - Small (vernier) station selector knob.....	
11324	Resistor - 560 ohms - Carbon type - 1/4 watt (R2).....	11347	Knob - Volume control, Fidelity control, music-speech and power switch, and range selector knob.....	
5112	Resistor - 1,000 ohms - Carbon type - 1/4 watt (R3).....	11210	Screw - Chassis mounting screw and washer assembly -	
11298	Resistor - 5,600 ohms - Carbon type - 1 watt (R6).....	12916	Shield - Magic brain shield.....	
3998	Resistor - 15,000 ohms - Carbon type - 1/4 watt (R5).....	4982	Spring - Retaining spring for knob Stock No. 12699	
11282	Resistor - 56,000 ohms - Carbon type - 1/10 watt (R4, R9).....	11349	Spring - retaining spring for knob Stock Nos. 11347, 12700-	
8064	Resistor - 82,000 ohms - Carbon type - 1/2 watt (R8).....			
11397	Resistor - 560,000 ohms - Carbon type - 1/10 watt (R1, R7).....			
12651	Shield - Coil shield for Stk. Nos. 12879 and 12880.....			
12710	Shield - Coil shield for Stk. No. 12709			
12883	Shield - Coil shield for Stk. No. 12881.....			
11198	Socket - 7 contact 6K7 Radiotron socket.....			
11279	Socket - 7 contact 6L7 Radiotron socket.....			
12885	Socket - 8 contact 6J7 Radiotron socket.....			
12007	Spring - Retaining spring for core Stk. Nos. 12664, 12800 and 12882 -			
12878	Switch - Range switch and mounting nut (S1, S2, S3).....			
12654	Trap - Wave trap complete (L1).....			

The prices quoted above are subject to change without notice.

Model 15U RCA Victrola



ALIGNMENT PROCEDURE

R.F., Det. & Osc. (X) 400 K.C.
R.F. & Det. (A) 1700 K.C.
R.F., Det. & Osc. (B) 6,000 K.C.
R.F., Det. & Osc. (C) 18,000 K.C.
Oscillator (A) 600 K.C., 1700 K.C.
Intermediate Frequency 460 K.C.

Note:—Band (D) is untuned, Alignment is obtained by dressing coil bus leads in relation to the circuit components.

REPLACEMENT PARTS MODEL 15U

Insist on genuine factory tested parts, which are readily identified and may be purchased from authorized dealers.

STOCK NO.	DESCRIPTION	STOCK NO.	DESCRIPTION
RECEIVER ASSEMBLIES			
4427	Bracket-Volume control mounting bracket.	12860	Switch-Low frequency tone and power switch (S5,S7).
12987	Bracket-Band changeover switch bracket.	12988	Switch-Bias switch (S10).
12511	Cap-Grid contact cap.	13616	Tone control-High frequency tone and fidelity control (R52,S4).
12948	Capacitor-33 Mmfd. (C57).	12981	Transformer-First intermediate frequency transformer (L24,L25,L40,C46,C47).
12629	Capacitor-56 Mmfd. (C62).	12990	Transformer-Second intermediate frequency transformer (L26,L27,C50,C51).
12404	Capacitor-120 Mmfd.(C60,C61).	12982	Transformer-Third intermediate frequency transformer (L28,L29,C60,C61,C62,R19, R20).
13022	Capacitor-390 Mmfd. (C46,C47,C50,C51).	12861	Volume Control (R18).
12898	Capacitor-1500 Mmfd.(C66).		
13608	Capacitor-.0025 Mfd.(C63).	MAGIC BRAIN UNIT ASSEMBLIES	
4868	Capacitor-.005 Mfd.(C71).	12806	Board-3-contact antenna and ground terminal board.
13138	Capacitor-.01 Mfd.(C45,C49,C59,C102).	5237	Bushing-Variable condenser mounting bushing assembly.
4836	Capacitor-.05 Mfd.(C64).	12886	Cable-Shielded power cable, approximately 4 inches long,complete with 8-contact male plug.
4841	Capacitor-0.1 Mfd.(C52,C99).	12511	Cap-Grid contact cap.
4840	Capacitor-0.25 Mfd.(C53).	12714	Capacitor-Adjustable trimmer capacitor. (C3,C4,C5,C6,C14,C16).
13610	Capacitor-8 Mfd.(C72).	12884	Capacitor-Adjustable trimmer capacitor (C10,C18,C23,C38,C39).
5212	Capacitor-18 Mfd.(C54,C73).	12807	Capacitor-Adjustable trimmer capacitor (C13,C35,C36,C37).
13611	Capacitor-20 Mfd.(C65).	12896	Capacitor-15 Mmfd. (C34).
13613	Compensator Pack-Comprising two .015 Mfd., one .05 Mfd. capacitors and one 27,000 ohms, one 22,000 ohms, one 12,000 ohms resistors (C55,C56,C58,R15,R16,R17).	12722	Capacitor-18 Mmfd. (C15).
12006	Core-Core and stud assembly for intermediate frequency transformers.	12891	Capacitor-36 Mmfd. (C40).
13612	Filter Pack-Comprising two .453 Henry Chokes, two 560 Mmfd., one 1,000 Mmfd. and one 2,200 Mmfd. capacitors (L30,L31, C67,C68,C69,C70).	12629	Capacitor-56 Mmfd. (C24).
12866	Foot-Chassis foot assembly.	12895	Capacitor-56 Mmfd. (C17).
4340	Lamp-Pilot lamp.	12723	Capacitor-56 Mmfd. (C2,C44).
12868	Link-Link mechanism on band indicator operating arm.	13307	Capacitor-62 Mmfd. (C11).
13609	Resistor-Voltage divider-Comprising one 600 ohms, one 5,000 ohms, one 3,950 ohms, one 25 ohms and one 19 ohms sections (R27,R28,R29,R30,R31).	12724	Capacitor-120 Mmfd. (C25,C28,C29).
12311	Resistor-1,000 ohms-insulated,1/4 watt(R12).	12725	Capacitor-150 Mmfd.(C1).
5112	Resistor-1,000 ohms-carbon type,1/4 watt (R10,R14).	12894	Capacitor-180 Mmfd. (C22).
5147	Resistor-3,300 ohms-carbon type,1 watt(R55).	12727	Capacitor-555 Mmfd. (C21).
12312	Resistor-3,300 ohms-insulated,1/4 watt(R25).	12537	Capacitor-560 Mmfd.(C7,C26,C33,C42).
5114	Resistor-15,000 ohms-carbon type,1 watt(R26).	12898	Capacitor-1,500 Mmfd.(C12).
11282	Resistor-56,000 ohms-carbon type,1/10 watt (R19).	12729	Capacitor-1,500 Mmfd.(C20).
11365	Resistor-82,000 ohms-carbon type,1/4 watt (R13).	12728	Capacitor-4,500 Mmfd.(C19).
11281	Resistor-100,000 ohms-carbon type, 1/10 watt (R11).	12897	Capacitor-4,700 Mmfd.(C43).
5158	Resistor-220,000 ohms-carbon type, 1/4 watt (R54).	4858	Capacitor-.01 Mfd.(C8,C30,C31,C32).
11398	Resistor-220,000 ohms-carbon type, 1/10 watt (R20).	12879	Coil-Antenna coil and shield,XABC bands (L2,L3,L4,L5,L6).
12013	Resistor-1.0 megohm-carbon type,1/10 watt-located in tuning tube socket (R24).	12888	Coil-Antenna coil,"D" band (L13,L14).
12679	Resistor-2.2 megohm-insulated,1/4 watt(R21).	12880	Coil-Detector coil and shield, XABC bands (L15,L16,L17,L18,L19,L20).
12874	Resistor-3.3 megohm-carbon type,1/4 watt (R22,R23).	12709	Coil-Oscillator coil and shield, ABC bands (L7,L8,L9).
12870	Scale-Vernier dial scale.	12881	Coil-Oscillator coil and shield, X band only (L10).
12008	Shield-Intermediate frequency transformer shield.	12890	Coil-Oscillator coil, "D" band (L11, L12,L23).
12607	Shield-1st or 2nd I.F. transformer shield top.	12889	Coil-R.F. coil, "D" band (L21,L22).
12581	Shield-3rd I.F.transformer shield top.	12877	Condenser-3-gang variable tuning condenser (C9,C27,C41).
11197	Socket-6-contact 6C5 Radiotron socket.	12887	Connector-8-contact male connector and cover for power cable,Stock No.12886.
11198	Socket-7-contact 6K7 or 6H6 Radiotron socket.	12664	Core-Adjustable core and stud for Stock No.12654.
13095	Socket-Upper left or lower right-hand dial lamp socket.	12800	Core-Adjustable core and stud for Stock No.12709.
11222	Socket-Upper right or lower left-hand dial lamp socket.	12882	Core-Adjustable core and stud for Stock No.12881.
11381	Socket-Tuning tube socket and cover.	11324	Resistor-560 ohms-carbon type,1/4 watt(R2).
11196	Socket-8-contact R.F. unit voltage supply socket.	5112	Resistor-1,000 ohms-carbon type, 1/4 watt (R3).
12007	Spring-Retaining spring for core in I.F. transformer.	11298	Resistor-5,600 ohms-carbon type, 1 watt (R6).
12986	Stud-Band indicator operating arm stud.	3998	Resistor-15,000 ohms carbon type, 1/4 watt (R5).

REPLACEMENT PARTS — MODEL 15U (Continued)

STOCK NO.	DESCRIPTION	STOCK NO.	DESCRIPTION
11282	Resistor-56,000 ohms-carbon type, 1/10 watt (R4,R9).	5240	Cover-Fuse cover.
8064	Resistor-82,000 ohms-carbon type, 1/2 watt (R8).	12468	Expander-Control (R46).
11397	Resistor-560,000 ohms-carbon type, 1/10 watt (R1,R7).	10907	Fuse-3-ampere Fuse (F1).
12651	Shield-Coil shield for Stock Nos.12879, 12880.	5239	Mounting-Fuse mounting.
12710	Shield-Coil shield for Stock No.12709.	12471	Plate-6L7 socket mounting plate assembly, less socket.
12883	Shield-Coil shield for Stock No.12881.	12466	Reactor-Filter reactor (L37).
11198	Socket-7-contact 6K7 Radiotron socket.	13454	Resistor-270 ohms-insulated,1/4 watt(R39).
11279	Socket-7-contact 6L7 Radiotron socket.	12195	Resistor-2,200 ohms-insulated,1/4 watt (R41,R50).
12885	Socket-8-contact 6J7 Radiotron socket.	11298	Resistor-5,600 ohms-carbon type, 1 watt (R47).
12007	Spring-Retaining spring for core,Stock Nos.12664,12600,12882.	11332	Resistor-22,000 ohms-carbon type, 1 watt (R48).
12878	Switch-Range switch and mounting nut (S1,S2,S3).	12487	Resistor-33,000 ohms-carbon type, 2 watt (R40).
12654	Trap-Wave-trap, complete (L1).	12286	Resistor-56,000 ohms-insulated, 1/4 watt (R53).
DRIVE ASSEMBLIES		12263	Resistor-100,000 ohms-insulated,1/4 watt (R42,R43,R45,R51).
10705	Ball-5/32-inch diameter steel ball for planetary drive.	12452	Resistor-330,000 ohms-insulated,1/4 watt (R37).
10941	Ball-1/8-inch diameter steel ball for planetary drive bearing.	12285	Resistor-470,000 ohms-insulated,1/4 watt (R44).
12904	Bushing-Plate and bushing assembly for planetary drive mounting.	12486	Resistor-560,000 ohms-insulated,1/4 watt (R38,R49)-
12905	Coupling-Flexible coupling and shaft assembly complete.	4794	Socket-4-contact 5Z3 or 2A3 Radiotron socket.
12909	Dial-Band indicating dial and cam assembly.	11197	Socket-6-contact 6C5 Radiotron socket.
12899	Drive-Variable tuning condenser drive, complete,including mounting bracket drive,dial scale and indicator,less vernier dial,Stock No.12870 and link, Stock No.12868.	11198	Socket-7-contact 6H6 or 6L7 Radiotron socket.
12906	Gear-Anti-lash drive gear,complete.	12464	Transformer-Interstage transformer (T3, L35).
12910	Gear-Sector gear and link assembly for band selector.	12463	Transformer-Power transformer,105-125 volt,50-60 cycle (T1).
12908	Indicator-Station selector indicator pointer.	EJECT ARM ASSEMBLIES	
8051	Link-Link and roller assembly,complete with spring.	11541	Arm-Eject arm, complete.
12911	Screen-Dial lamp screen and light diffuser.	11533	Ball-1/16-inch diameter steel ball.
4669	Screw-Set screw for flexible coupling or gear,Stock Nos.12905 and 12906.	10129	Ball-3/16-inch diameter steel ball.
12901	Shaft-Direct drive shaft and pinion gear for planetary drive.	11529	Bearing-Ejector tip bearing and nut.
12900	Shaft-Vernier drive shaft for planetary drive.	11538	Bracket-Eject arm bracket.
12903	Spring-Tension spring for planetary drive bearing.	11537	Collar-Eject arm shaft collar and set screw.
12907	Spring-Tension spring for gear,Stock No. 12906.	11540	Cover-Eject arm cover.
8052	Spring-Tension spring for link,Stock No. 8051.	11536	Cushion-Counter balance roller cushion located inside of eject arm.
AMPLIFIER ASSEMBLIES		4055	Post-Vertical adjustment post-located on eject arm bracket.
12511	Cap-Grid contact cap.	3729	Roller-Eject arm counter balance roller located inside of eject arm.
12110	Cap-Top shield cap for 6L7 Radiotron.	4580	Screw-No.6-32-3/16-inch square head set screw for eject arm collar-.
12488	Capacitor-270 Mmfd. (C90,C91).	11534	Screw-No.8-36-7/32-inch special screw for eject arm tip center adjustment.
5107	Capacitor-.0025 Mfd.(C88).	11535	Shaft and collar-Eject arm vertical action shaft and collar assembly.
4838	Capacitor-.005 Mfd.(C93,C94).	11528	Silencer-Ejector tip silencer.
4868	Capacitor-.005 Mfd.(C92).	4067	Spring-Ejector arm bracket spring.
5196	Capacitor-.035 Mfd.(C79).	11531	Spring-Ejector tip spring-
4886	Capacitor-.05 Mfd.(C85).	11530	Tip-Ejector tip with tip center,adjusting screw and cap.
4518	Capacitor-.05 Mfd.(C81).	11539	Yoke-Eject arm yoke assembly.
4839	Capacitor-0.1 Mfd.(C89,C100).	PICKUP AND ARM ASSEMBLIES	
5170	Capacitor-.25 Mfd.(C87).	13627	Arm-Pickup arm,complete less pickup unit.
4840	Capacitor-.25 Mfd.(C101).	11548	Back-Pickup back.
11240	Capacitor-10 Mfd.(C97).	10941	Ball-Pickup arm pivot shaft ball bearing-
12472	Capacitor-10 Mfd.(C86).	12543	Bracket-Pickup arm spring,adjusting bracket and screw.
5212	Capacitor-18 Mfd.(C84,C95).	13629	Cable-Pickup arm operating cable.
11496	Capacitor-18 Mfd.(C98).	12541	Coil-Pickup coil (L41).
12740	Capacitor-20 Mfd.(C83).	13630	Connector-Shielded pickup cable and connector assembly-approximately 43 inches long-less female connector.
12467	Capacitor-30 Mfd.(C96).		
12465	Capacitor-Capacitor pack,comprising 3 sections each 0.5 Mfd.(C78,C80,C82).		
11272	Clamp-Volume control or speaker cable clamp.		

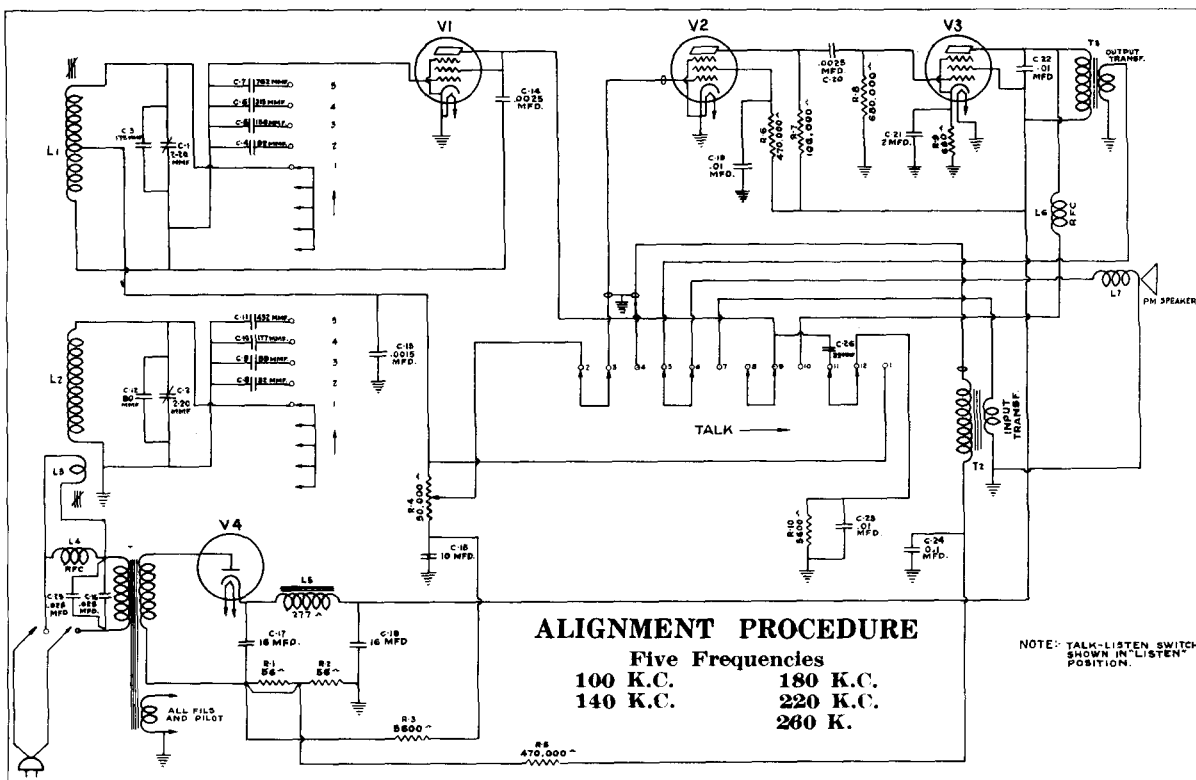
REPLACEMENT PARTS — MODEL 15U (Continued)

STOCK NO.	DESCRIPTION	STOCK NO.	DESCRIPTION
11545	Cover-Pickup front cover.		
11546	Cover-pickup back cover with mounting screws.		
12850	Damper-Damper assembly for pickup arm base-comprising one upper damper and bushing, one lower bushing and one lower bearing.		
11723	Escutcheon-Pickup arm escutcheon.		
14115	Mechanism-Comprising one armature and spring assembly, one armature clamp and one damper.		
13628	Pickup-Pickup unit, complete.		
12546	Plug-Pivot shaft bearing plug-		
13631	Rod-Pickup arm trip rod and nut-		
11549	Screw-Pickup front cover screw-		
3387	Screw-Nut and washer for mounting pick-up to arm-		
12539	Screw-Pickup needle screw-		
12544	Spring-Pickup arm adjusting spring-		
OPERATING MECHANISM			
13632	Cam-Cam and gear assembly.		
6808	Clutch-Trip lever friction clutch.		
11558	Cover-Metal cover for trip lever and friction finger assembly.		
6809	Finger-Manual index lever finger assembly.		
3670	Finger-Friction finger assembly.		
11554	Lever-Manual index lever-less pin.		
13633	Lever-Main lever and link assembly.		
11557	Lever-Main spring lever.		
11555	Lever-Trip lever and friction clutch assembly.		
6503	Pawl-Trip pawl assembly.		
3672	Pin-Manual index lever pin.		
13635	Plate-Eject arm actuating plate assembly.		
4564	Screw-Manual index lever finger set screw.		
4059	Screw-Trip lever clutch tension adjustment screw.		
4566	Screw-Special screw used to fasten main lever and link assembly bushing-		
13637	Spacer-Pickup arm mounting spacer.		
13638	Spring-Actuating spring-		
4565	Spring-Manual index lever finger tension spring-		
4061	Spring-Main spring lever tension spring-		
2893	Spring-Trip lever latch plate tension-		
13634	Spring-Pickup arm cable tension spring-		
3676	Spring-Cam and gear pawl tension spring.		
13639	Spring-Cam and gear arm tension spring.		
4125	Spring-Eject arm horizontal action tension spring-		
13636	Stud-Pickup arm lift cable stud and nut-		
2917	Washer-Spring washer-"U" type-		
MOTOR ASSEMBLIES			
9735	Motor-105-125 volts-25 cycles (M1).		
9650	Motor-105-125 volts-60 cycles (M1).		
12050	Suspension Spring-Motor mounting spring, washer, and stud assembly-Comprising six springs, six cup washers, three spring washers and three studs.		
AUTOMATIC SWITCH ASSEMBLIES			
3994	Cover-Motor switch cover.		
10184	Plate-Automatic brake latch plate-		
10174	Springs-Automatic brake springs.		
6805	Switch Assembly-Automatic switch, complete.		
3322	Switch-Motor switch (S9).		
			MOTOR BOARD ASSEMBLIES
		11881	Base-Phonograph compartment lamp socket and base.
		12051	Capacitor-2 Mfd., complete with 2-contact male connector, for use with motor, Stock No.9650 or No.9651 only (C74).
		13101	Capacitor-4 Mfd., complete with 2-contact male connector for use with motor, Stock No.9735 only (C74).
		4674	Connector-2-contact male connector for Stock Nos.12051,13101 or phono compartment lamp leads.
		4577	Connector-2-contact male connector for motor cable.
		11488	Connector-2-contact female connector for motor leads.
		11542	Cover-Turntable cover.
		11553	Escutcheon-Index escutcheon engraved "Manual-12-10".
		4340	Lamp-Phonograph compartment lamp-6.3 volts.
		3734	Nut-Cap nut for motor-board suspension assembly-
		11551	Rest-Pickup rest.
		3654	Roller-Pickup arm cable guide roller-comprising bracket, roller and guide pin.
		11711	Shade-Phonograph compartment lamp shade.
		3763	Suspension Spring-Suspension spring, washer and bolt assembly for motor board-Comprising one bolt, two cup washers, two springs, two "C" washers and one cup nut.
		4671	Switch-Operating switch-toggle type(S8).
		11599	Turntable-Complete.
		REPRODUCER ASSEMBLIES	
		13614	Coil-Field coil and magnet assembly(L38).
		12474	Cone-Reproducer cone (L36).
		12567	Plug-5-contact male reproducer plug.
		9767	Reproducer-Complete.
		12568	Transformer-Output transformer (T4).
		MISCELLANEOUS CABLES AND PLUGS	
		13644	Cable-3-conductor shielded compensation cable, approximately 33" long, complete with 4-contact male connector-connects compensator pack to phonograph volume control.
		12991	Cable-3-conductor shielded fidelity control cable, approximately 7 $\frac{1}{2}$ " long-connects fidelity control to receiver.
		13645	Cable-2-conductor shielded grid switching cable, approximately 18" long, complete with 4-contact female connector-connects radio-record switch to amplifier.
		13625	Cable-Shielded input cable, approximately 14" long, complete with 4-contact male connector-connects amplifier to radio-record switch.
		13621	Cable-2-conductor pilot and compartment lamp cable, approximately 13" long, complete with two 2-contact female connectors.
		13626	Cable-3-conductor motor and power switch cable, approximately 7 $\frac{1}{2}$ " long, complete with two female connectors-connects amplifier to phonograph motor and receiver power switch.
		13642	Cable-2-conductor motor power cable, approximately 35" long, complete with one 2-contact male and one 2-contact female connectors-connects cable Stock No. 13625 to motor leads.
		13623	Cable-Single conductor shielded output cable, approximately 5" long, complete with 2-contact female connector-connects receiver to radio-record switch.

REPLACEMENT PARTS — MODEL 15U (Continued)

STOCK No.	DESCRIPTION	STOCK No.	DESCRIPTION
13641	Cable-Single conductor shielded output cable, approximately 10 $\frac{1}{2}$ " long, complete with 2-contact male connector-connects radio-record switch to radio receiver.	11570	Connector-4-contact male connector for cable stock No.13620.
13620	Cable-4-conductor plate and filament supply cable, approximately 9" long, complete with 4-contact male connector-connects receiver to amplifier power supply.	11971	Connector-4-contact female connector for cable stock No.13624.
13619	Cable-2-conductor power cable, approximately 27" long, complete with 2-contact male connector-connects power switch to amplifier.	MISCELLANEOUS ASSEMBLIES	
13624	Cable-4-conductor plate and filament supply cable, approximately 6" long, complete with 4-contact female connector-connects amplifier power supply to receiver.	5211	Bolt-Speaker mounting bolt assembly-
13622	Cable-2-conductor shielded tone control cable, approximately 28" long, complete with 4-contact male connector-connects receiver tone control to amplifier.	4391	Box-Used needle box.
12490	Cable-2-conductor shielded tone control cable, approximately 10" long, complete with female connector-connects amplifier to receiver tone control.	13615	Bracket-Tuning lamp mounting bracket and clamp.
12985	Cable-Tuning lamp cable and socket.	13103	Cap-Pilot lamp cap and bull's eye-
12491	Cable-2-conductor shielded volume control cable, approximately 7 $\frac{1}{2}$ " long, complete with 2 female connectors-connects amplifier to phonograph volume control and expander control.	12560	Compensator Pack-Phonograph compensator pack complete with two shielded cables and connectors (L32,L33,L34, L39,C75,C76,C77,R33,R34,R35).
13643	Cable-2-conductor shielded volume control cable, approximately 37 $\frac{1}{2}$ " long, complete with two 2-contact male connectors-connects phonograph volume control and expander control to amplifier.	12915	Crystal-Station selector escutcheon and crystal.
4674	Connector-2-contact male connector for cable stock Nos.13619,13641,13643,pilot lamp socket leads,compensator pack or input transformer cables.	11580	Cover-Pilot lamp cover.
11488	Connector-2-contact female connector for cable stock Nos.12491,13621,13623, 13626 or input transformer cable.	12742	Escutcheon-Tuning lamp escutcheon.
4577	Connector-2-contact male connector for cable stock No.13642.	12552	Expander Control (R32).
12565	Connector-4-contact male connector for cable stock Nos.13622,13625 or 13644.	4340	Lamp-Pilot lamp-6.3 volts.
4573	Connector-2-contact female connector with oblong openings for cable stock Nos. 13626 or 13642.	12699	Knob-Large station selector knob.
12493	Connector-Speaker cable 5-contact female connector.	12700	Knob-Small vernier station selector knob.
12494	Connector-4-contact female connector for cable stock Nos.12490,13645 or compensator pack cable.	11347	Knob-Low frequency tone control and power switch,radio-record switch, radio volume control,range switch,or high frequency tone control knob.
		11582	Knob-Phonograph volume control or expander control knob.
		11607	Receptacle-Needle card holder.
		11829	Roller-Record pocket slide roller-
		4560	Screw-Chassis mounting screw assembly (front)-Comprising one screw, one washer and one lock washer-
		13102	Screw-Chassis mounting screw assembly (bottom)-Comprising one screw,two washions,one spacer,one washer and one lock washer-
		11573	Socket-Pilot lamp socket.
		11349	Spring-Retaining spring for knob,Stock Nos.11347,11582 and 12700-
		4982	Spring-Retaining spring for knob, Stock Nos.12699-
		12824	Switch-Radio record switch (S6).
		12555	Transformer-Phonograph input transformer (T2).
		12554	Volume Control-Phonograph volume control (R36).

RCA Victorphone

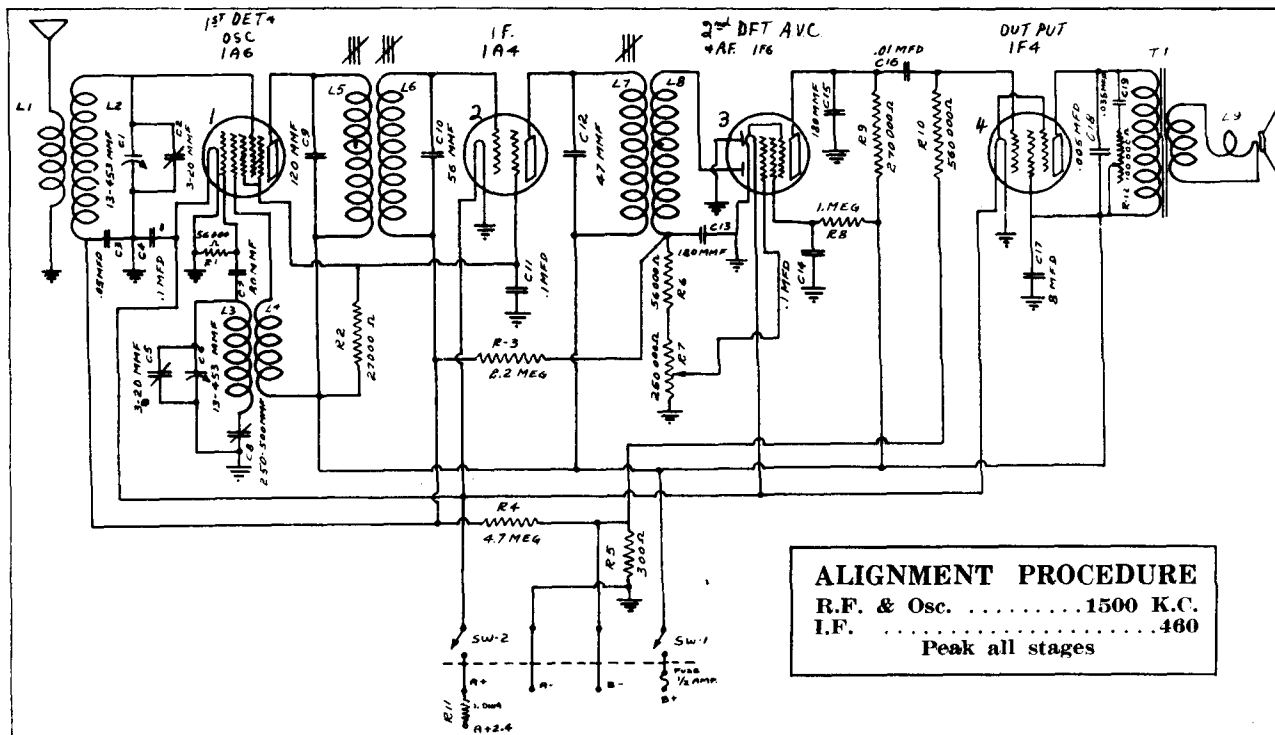


REPLACEMENT PARTS — Victorphone

Insist on genuine factory tested parts, which are readily identified and may be purchased from authorized dealers.

STOCK NO.	DESCRIPTION	STOCK NO.	DESCRIPTION
RECEIVER ASSEMBLIES			
S-1875	Cable-Shielded cable & grid clip assembly-approximately 9" long.....	5226	Lamp-Pilot Lamp-
12118	Cap-Grid contact cap-	S-1903	Reactor-Filter reactor (L5),.....
S-1876	Capacitor-Adjustable dual trimmer (C1,C2).....	S-1892	Resistor-56 ohms,insulated, $\frac{1}{2}$ watt (R1,R2).....
S-1877	Capacitor-39 Mmfd. (C25).....	S-1893	Resistor-680 ohms,insulated, $\frac{1}{2}$ watt (R9).....
S-1878	Capacitor-52 Mmfd. (C8).....	S-1839	Resistor-5600 ohms,insulated, $\frac{1}{2}$ watt (R10).....
S-1879	Capacitor-80 Mmfd. (C12).....	S-1894	Resistor-5600 ohms,insulated, $\frac{1}{4}$ watt (R3).....
S-1880	Capacitor-89 Mmfd. (C9).....	S-1895	Resistor-100,000 ohms,insulated, $\frac{1}{4}$ watt (R7).....
S-1881	Capacitor-92 Mmfd. (C4).....	12285	Resistor-470,000 ohms,insulated, $\frac{1}{4}$ watt (R5,R6).....
S-1882	Capacitor-158 Mmfd. (C5).....	S-1896	Resistor-680,000 ohms,insulated, $\frac{1}{4}$ watt (R8).....
S-1883	Capacitor-175 Mmfd. (C3).....	3858	Socket-Pilot lamp socket.....
S-1884	Capacitor-177 Mmfd. (C10).....	S-1905	Switch-Range switch.....
S-1885	Capacitor-313 Mmfd. (C6).....	S-1906	Switch-Listen-Talk switch.....
S-1886	Capacitor-432 Mmfd. (C11).....	S-1891	Shield-Type 6D6 radiotron shield... 12218 Shield-Type 41 radiotron shield...
S-1887	Capacitor-762 Mmfd. (C7).....	12581	Shield-Tuning coil shield top.....
13140	Capacitor-1500 Mmfd. (C13).....	S-1897	Transformer-Input and output transformer assembly (T2,T3).....
3932	Capacitor-.0025 Mfd. (C14).....	S-1898	Transformer-Power transformer,105-125 volt,60 cycle (T1).....
5107	Capacitor-.0025 Mfd. (C20).....	S-1899	Transformer-Power transformer,105-125 volt,25 cycle (T1).....
13138	Capacitor-.01 Mfd. (C19).....	S-1904	Volume control and "ON-OFF" switch (R4).....
4858	Capacitor-.01 Mfd. (C22).....	REPRODUCER ASSEMBLIES	
4883	Capacitor-.01 Mfd. (C23).....	S-1907	Cone-Reproducer cone.....
4839	Capacitor - 0.1 Mfd. (C24).....	S-1908	Reproducer, complete.....
S-1889	Capacitor-2 Lfd. (C21).....		
S-1890	Capacitor-10 Mfd. (C15).....		
5212	Capacitor-16 Mfd. (C17).....		
14377	Capacitor-16 Mfd. (C18).....		
S-1900	Coil-Tuning coil (L1,L2,L3,C3,C12).....		
S-1901	Coil-Line coupling assembly(L4,C25,C16).....		
6321	Coil-Choke coil(L6).....		
12006	Core-Core and stud assembly for tuning coil.....		
S-1797	Indicator Jewel (Brown).....		
S-1910	Knobs-Range switch knob.....		
S-1909	Knobs-Talk-Listen switch knob.....		
S-1911	Knobs-Volume control knob.....		

Model 84BT-1 A.C. Receiver

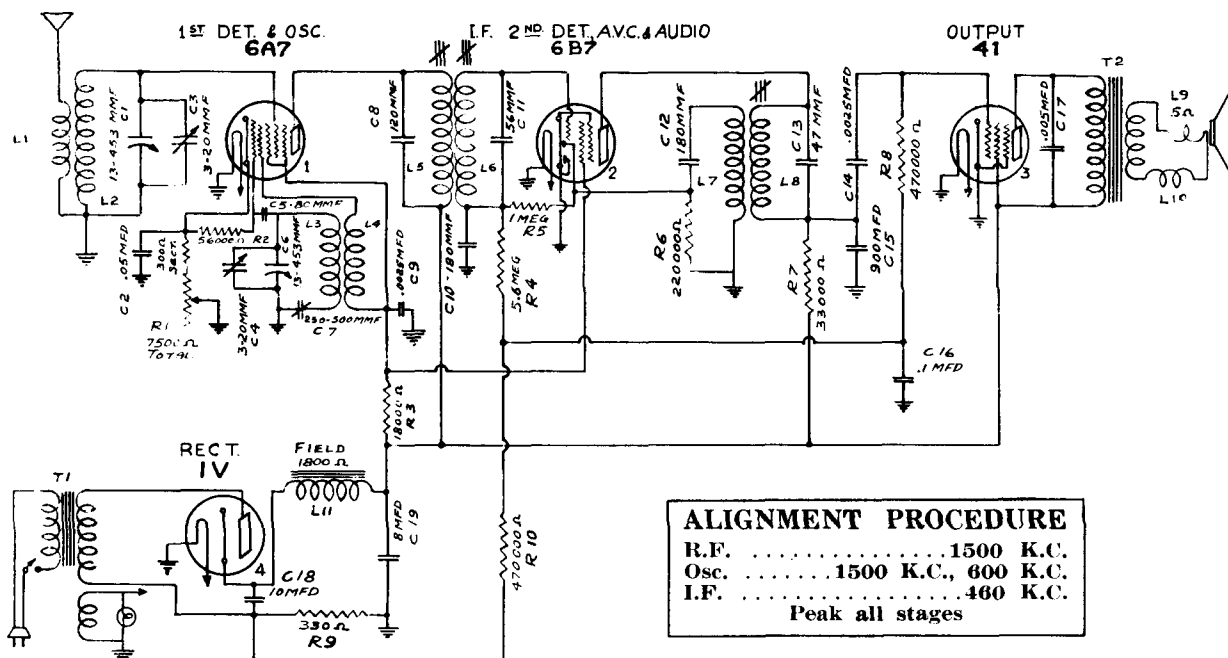


REPLACEMENT PARTS

Insist on genuine factory tested parts, which are readily identified and may be purchased from authorized dealers.

STOCK NO.	DESCRIPTION	STOCK NO.	DESCRIPTION
RECEIVER ASSEMBLIES		11202	Resistor-56,000 ohms,carbon type, 1/10 watt (R6).....
S-1714	Bracket - Dial bracket -	5029	Resistor-56,000 ohms,carbon type, 1/2 watt (R1).....
S-1713	Cable-4 Conductor battery cable approx. 57" long,complete with fuse,fuse holder and battery clips.....	11323	Resistor-270,000 ohms,carbon type, 1/2 watt (R9).....
12607	Cap-I.F. transformer shield cap.....	5035	Resistor-560,000 ohms,carbon type, 1/2 watt (R10).....
12118	Cap-Grid-contact cap	3033	Resistor-1 Megohm ,carbon type, 1/2 watt (R8).....
S-1715	Capacitor-Adjustable capacitor (C8)....	S-1536	Resistor-2.2 Megohms,carbon type, 1/2 watt (R3).....
S-1734	Capacitor-47 Kmf. (C12).....	11936	Resistor-4.7 Megohms,carbon type, 1/2 watt (R4).....
13307	Capacitor-56 Kmf. (C10).....	S-1692	Resistor-1 ohm flexible wire wound ballast resistor (R11).....
12813	Capacitor-80 Kmf. (C7).....	12218	Shield-1F6 or 1A4 Radiotron shield....
12404	Capacitor-120 Kmf. (C9).....	4794	Socket-4 Contact 1A4 Radiotron socket.
S-1716	Capacitor-180 Kmf. (C15).....	S-1627	Socket-5 Contact 1F4 Radiotron socket.
12406	Capacitor-180 Kmf. (C13).....	4786	Socket-6 Contact 1A6 or 1F6 Radiotron socket.....
4793	Capacitor-.005 Mfd. (C18).....	S-1726	Switch-Operating switch (S1,S2).....
4883	Capacitor-.01 Mfd. (C16).....	S-1723	Tone Control-100,000 ohms (R12).....
5196	Capacitor-.035 Mfd. (C19).....	12801	Transformer-1st I.F.transformer (L5, L6,C9,C10).....
4836	Capacitor-.05 Mfd. (C3).....	S-1725	Transformer-2nd I.F. transformer(L7, L8,C12,C13,R6).....
4791	Capacitor-.1 Mfd. (C4,C11,C14).....	S-1724	Volume Control-250,000 ohms (R7).....
S-1717	Capacitor- 8 Mfd. (C17).....		
S-1718	Coil-Antenna coil (L1,L2).....	REPRODUCER ASSEMBLIES	
S-1719	Coil-Oscillator coil(L3,L4).....	S-1731	Cone-Reproducer cone.....
S-1720	Condenser-2 gang variable tuning condenser (C1,C2,C5,C6).....	S-1729	Reproducer-Complete with output transformer.....
12006	Core-Adjustable core & stud for 1st or 2nd I.F. transformer.....	S-1730	Transformer-Output transformer (T1)...
S-1721	Dial-Station selector dial.....		
3748	Fuse-1/2 Ampere fuse -		
6516	Fuse-Connector complete.....		
S-1727	Knob-Station selector knob.....		
S-1732	Knob-Operating switch,tone control and volume control knobs-		
12827	Plug-Battery cable plug.....		
8063	Resistor-300 ohms,carbon type, 1/2 watt (R5).....		
8065	Resistor-27,000 ohms,carbon type,1/2 watt (R2).....		

Model 84T-3 - A.C. Receiver

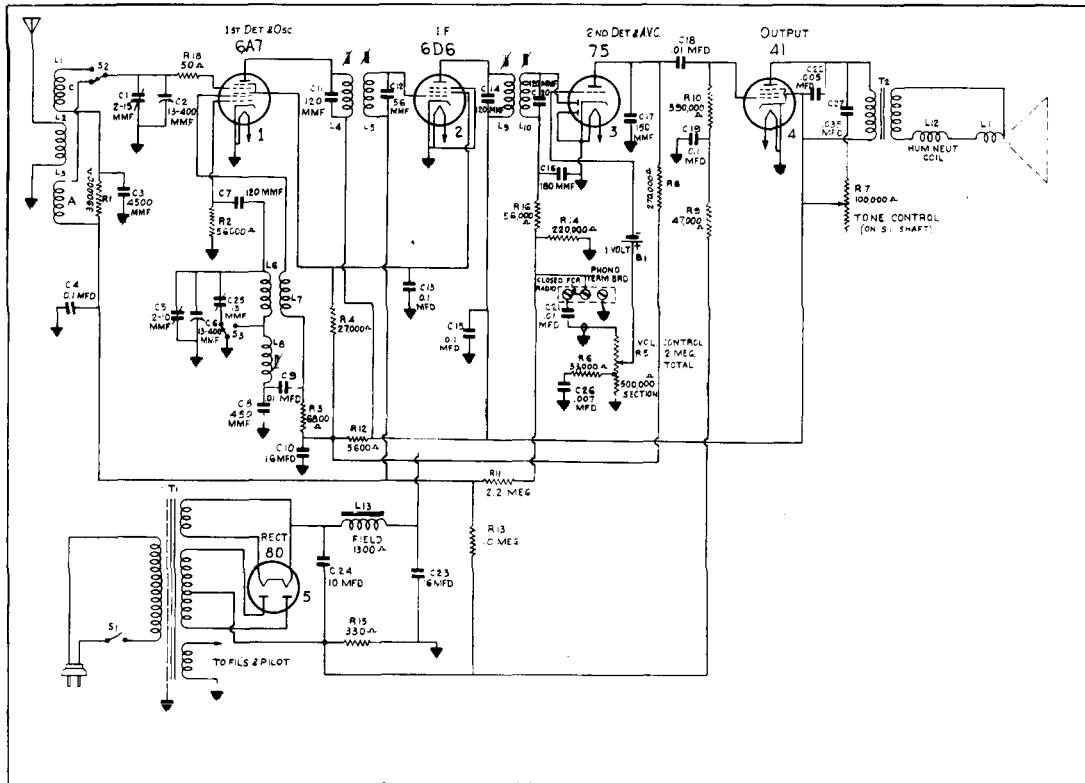


REPLACEMENT PARTS

Insist on genuine factory tested parts, which are readily identified and may be purchased from authorized dealers.

STOCK No.	DESCRIPTION	STOCK No.	DESCRIPTION
RECEIVER ASSEMBLIES			
S-1664	Antenna-Indoor Antenna approximately 25 ft. long.....	3033	Resistor- 1 Megohm carbon type ½ watt (R5).....
S-1707	Bracket-Dial mounting bracket.....	S-1768	Resistor-5.6 Megohm carbon type 1/10 watt (R4).....
12118	Cap-Grid contact cap.....	12218	Shield-First detector, 6B7 Radiotron shield.....
S-1710	Capacitor-Adjustable capacitor....	12008	Shield-1st I.F. transformer shield
S-1734	Capacitor- 47 Mmfd (C13).....	12581	Shield-Top for first I.F. transformer shield.....
13307	Capacitor- 56 Mmfd (C11).....	5226	Lamp-Dial lamp
12813	Capacitor- 80 Mmfd (C5).....	11199	Socket-Dial lamp socket.....
12404	Capacitor- 120 Mmfd (C8).....	4794	Socket-Four contact radiotron socket.....
12406	Capacitor- 180 Mmfd (C10, C12)....	4786	Socket-Six contact radiotron socket.....
S-1764	Capacitor- 900 Mmfd (C15).....	3572	Socket-Seven contact radiotron socket.....
5107	Capacitor-.0025 Mfd (C9).....	S-1769	Transformer-First I.F. transformer (L5, L6, C8, C11, C10, R4).....
3932	Capacitor-.0025 Mfd (C14).....	S-1770	Transformer-Second I.F. transformer (L7, L8, C12, C13).....
4868	Capacitor-.005 Mfd (C17).....	S-1771	Transformer-Power transformer-105-125 volt 25 cycle (T1).....
4836	Capacitor-.05 Mfd (C2).....	S-1772	Transformer-Power transformer-105-125 volt 60 cycle (T1).....
4791	Capacitor-.1 Mfd (C16).....	S-1773	Volume control and power switch 7500 ohms (R1, S1).....
S-1765	Capacitor- 8 Mfd (C19).....	REPRODUCER ASSEMBLIES	
11240	Capacitor- 10 Mfd (C18).....	S-1774	Coil Assembly-Comprising field magnet and cone support, less output transformer.....
S-1766	Coil-Antenna coil (L1, L2).....	S-1677	Cone-Reproducer cone.....
S-1719	Coil-Oscillator coil (L3, L4).....	S-1775	Reproducer-complete.....
S-1720	Condenser-Two gang variable tuning condenser (C1, C3, C4, C6).....	S-1676	Transformer-Output transformer (T2).....
12006	Core-Adjustable core and stud for 1st and 2nd I.F. transformers....		
S-1721	Dial-Station selector dial scale..		
S-1727	Knob-Station selector knob.....		
S-1732	Knob-Volume control knob		
11670	Resistor-330 ohms-carbon type-1 watt (R9).....		
S-1767	Resistor-18,000 ohms carbon type-3 watt (R3).....		
11669	Resistor-33,000 ohms carbon type-1 watt (R7).....		
12286	Resistor-56,000 ohms Insulated type-½ watt (R2).....		
5158	Resistor-220,000 ohms carbon type-½ watt (R6).....		
11172	Resistor-470,000 ohms carbon type-½ watt (R8, R10).....		

Models 85T-2, 85TA, 85K & 85KA A.C. Receivers Models U-101, U-102 & U-103 RCA Victorlas



Schematic Circuit Diagram

Order of Alignment	Test Oscillator			Range-Selector	Receiver Dial Setting	Circuit to Adjust	Adjustment Symbols	Adjust to Obtain
	Connection to Receiver	Dummy Antenna	Frequency Setting					
1	6D6 I-F Grid Cap	.001 Mfd.	460 kc	"A" Left	No Signal 550-750 kc	2nd I-F Trans.	L9 and L10	Max. (peak)
2	6A7 Det. Grid Cap	.001 Mfd.	460 kc	"A" Left	No Signal 550-750 kc	1st I-F Trans.	L4 and L5	Max. (peak)
3	Ant. Lead	300 Ohms	15,000 kc	"C" Right	15,000 kc	"C" Osc.	C5	Max. (peak)†
4	Ant. Lead	300 Ohms	15,000 kc	"C" Right	Rock Through 15,000 kc	"C" Ant.	C1	Max. (peak)* ‡
5	Ant. Lead	200 Mmfd.	600 kc	"A" Left	600 kc	"A" Osc.	L8	Max. (peak)

† Use maximum capacity peak if two peaks can be obtained.

* Use minimum capacity peak if two peaks can be obtained.

‡ After this adjustment, check for image signal by shifting receiver dial to 15,920 kc.

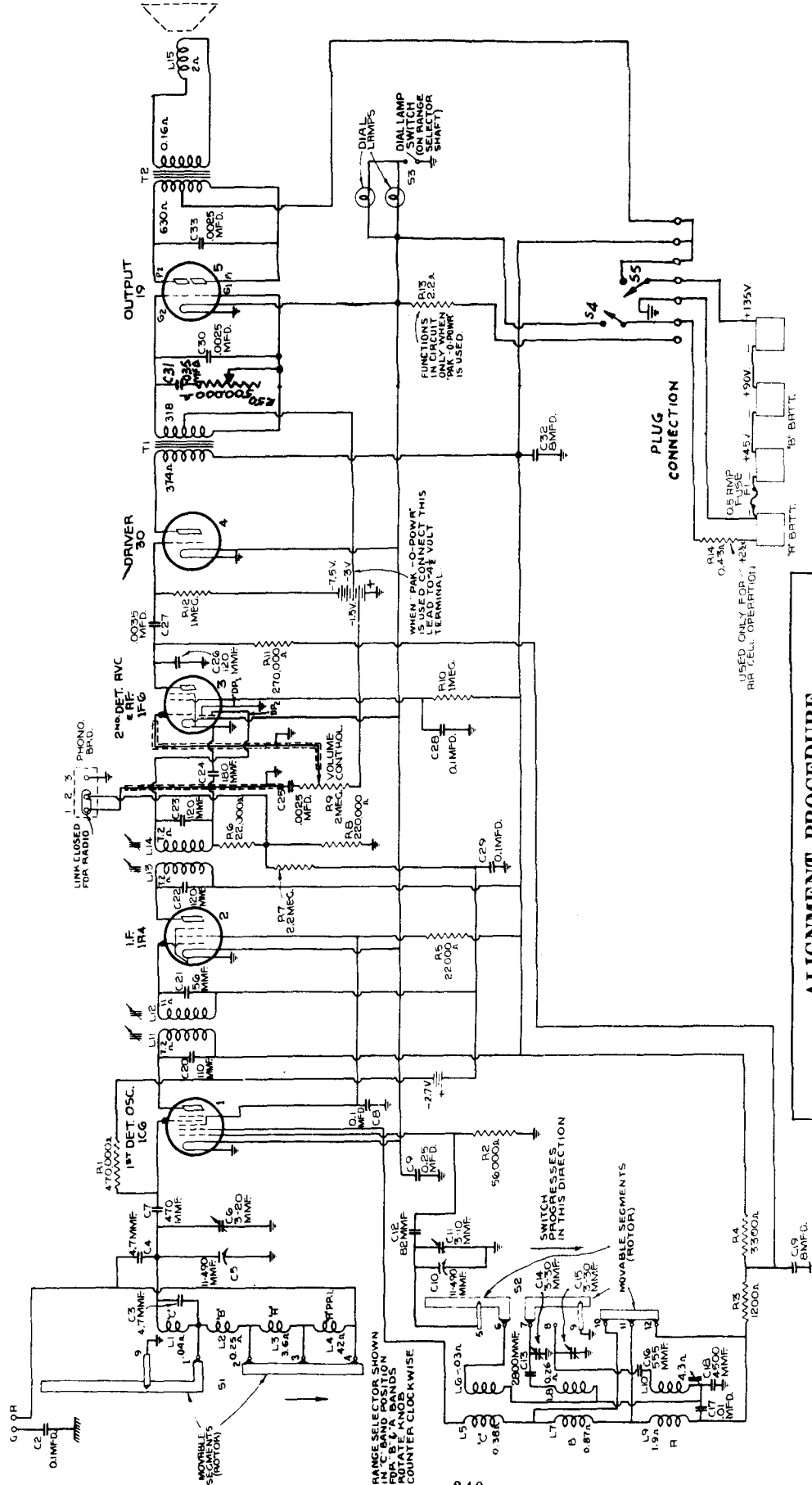
REPLACEMENT PARTS

Models 85T-2, 85TA, 85K, 85KA, U-101, U-102 & U-103

Insist on genuine factory tested parts, which are readily identified and may be purchased from authorized dealers.

STOCK No.	DESCRIPTION	STOCK No.	DESCRIPTION
RECEIVER ASSEMBLIES			
12717	Board-Phonograph terminal board.....	S-1833	Transformer-Power transformer, 105-125 volts, 25-50 cycle.....
12118	Cap-Grid contact cap-	S-1836	Tone control and operating switch Models 85T-2 & 85K only).....
S-1843	Capacitor-Adjustable capacitor (C25)..	S-1827	Volume control (Models 85TA and 85KA only).....
13307	Capacitor- 56 Mmfd. (C12).....	S-1835	Volume control (Models 85T-2 and 85K only).....
12724	Capacitor- 120 Mmfd. (C7).....	S-1828	Tone Control and operating switch (Models 85TA & 85KA only).....
12404	Capacitor- 120 Mmfd. (C11, C14, C20).....	CONDENSER AND DRIVE ASSEMBLIES Models 85T-2 and 85K only	
12725	Capacitor- 150 Mmfd. (C17).....	14634	Belt-Variable condenser drive belt...
11500	Capacitor- 180 Mmfd. (C16).....	14632	Bracket-Dial mounting bracket.....
12812	Capacitor- 450 Mmfd. (C8).....	5237	Bushing-Variable condenser rubber mounting bushing-
12728	Capacitor-4500 Mmfd. (C3).....	14633	Condenser-2 gang variable tuning condenser (C1, C2, C5, C6).....
4793	Capacitor- .005 Mfd. (C22).....	14631	Dial-Station selector dial.....
5148	Capacitor- .007 Mfd. (C26).....	14651	Drive-Variable condenser vernier drive and pinion gear.....
4883	Capacitor- .01 Mfd. (C18).....	14635	Indicator-Station selector indicator pointer.....
13138	Capacitor- .01 Mfd. (C9, C21).....	5226	Lamps-Dial lamps-
5196	Capacitor- .035 Mfd. (C27).....	14636	Pulley-Idler pulley-less spring.....
4839	Capacitor- 0.1 Mfd. (C4, C19).....	14639	Pulley-Variable condenser drive pulley-located on condenser shaft..
4841	Capacitor- 0.1 Mfd. (C13, C15).....	4389	Screw-No.6 - 32x3/16 headless set screw for pulley, Stock No.14639-
11240	Capacitor- 10 Mfd. (C24).....	14638	Shaft-Station selector knobs shaft and pulley.....
5212	Capacitor- 16 Mfd. (C23).....	14637	Spring-Idler pulley tension spring-
14377	Capacitor- 16 Mfd. (C10).....	14658	Socket-Dial lamp socket.....
12061	Cell-Bias Cell.....	14654	Escutcheon-Station selector escutcheon and crystal.....
14648	Core-Adjustable core and stud for oscillator coil.....	12673	Knobs-Station selector, volume control or tone control knobs-
12006	Core-Adjustable core and stud for I.F. transformer.....	S-1845	Knobs-Range switch knob-
S-1834	Coil-Antenna coil (L1, L2, L3).....	CONDENSER AND DRIVE ASSEMBLIES Models 85TA and 85KA only	
14647	Coil-Oscillator coil (L6, L7, L8).....	S-1846	Coupling-Coupling disk.....
S-1838	Holder-Bias Cell holder.....	S-1847	Drive-Drive string, clip and spring..
14653	Resistor-55 ohms-Flexible type, 1 watt (R18).....	S-1848	Lamp Socket.....
14652	Resistor-330 ohms-Wire wound, insulated 1 watt (R15).....	S-1849	Indicator-Station selector indicator pointer.....
S-1839	Resistor-5,600 ohms, insulated, 1/2 watt (R12).....	S-1851	Button and Pin assembly complete.....
30400	Resistor-6,800 ohms, insulated, 1/2 watt (R3).....	S-1853	Lamp-Dial lamp-
12011	Resistor-27,000 ohms, carbon type, 1 watt (R4).....	S-1854	Gear and Shaft assembly complete with tension spring.....
11300	Resistor-33,000 ohms, carbon type, 1/10 watt (R6).....	S-1855	Ring-Outer escutcheon ring.....
5132	Resistor-47,000 ohms, carbon type, 1/10 watt (R9).....	S-1857	Ring-Inner escutcheon ring.....
11282	Resistor-56,000 ohms, carbon type, 1/10 watt (R16).....	S-1859	Window-Escutcheon window.....
12286	Resistor-56,000 ohms, insulated, 1/2 watt (R2).....	S-1860	Dial-Station selector dial scale.....
11398	Resistor-220,000 ohms, carbon type, 1/10 watt (R14).....	S-1862	Knob-Station selector, volume control or tone control knob-
12199	Resistor-270,000 ohms, insulated, 1/2 watt (R8).....	S-1844	Knob-Range switch knob-
13005	Resistor-390,000 ohms, carbon type, 1/10 watt (R1, R10).....	S-1863	Card-Call lettercards for Station Selector.....
S-1840	Resistor-2.2 Megohm, carbon type, 1/10 watt (R11).....	REPRODUCER ASSEMBLIES-Models 85T-2 & 85TA	
13601	Resistor-10 Megohm, insulated, 1/2 watt (R13).....	S-1820	Cone-Reproducer cone.....
12008	Shield-First or second I.F. transformer shield.....	S-1825	Reproducer complete.....
12607	Shield-First I.F. transformer shield top.....	S-1822	Transformer-Output transformer.....
12581	Shield-Second I.F. transformer shield top.....	REPRODUCER ASSEMBLIES-Models 85K & 85KA	
11265	Shield-Radiotron shield.....	13866	Cap-Cone center dust cap-
4794	Socket-4-contact 80 Radiotron socket.	14354	Coil-Field coil.....
4785	Socket-6-contact 6D6, 41 or 75 Radiotron socket.....	11469	Hum neutralizing coil.....
4787	Socket-7-contact 6A7 Radiotron socket	12642	Cone-Reproducer cone and dust cap....
12007	Spring-Retaining spring for core Stock Nos.12006 & 14648-	5118	Plug-3-contact male plug for reproducer.....
S-1831	Switch-Range switch (S2, S3,) (Models 85T-2 & 85K only).....	14360	Reproducer-Reproducer complete.....
S-1826	Switch-Range switch (S2, S3,) Models 85TA & 85KA only).....	14355	Transformer-Output transformer.....
12801	Transformer-First I.F. transformer (L4, L5, C11, C12).....	14357	Washer-Spring washer to hold field coil-
12653	Transformer-Second I.F. transformer (L9, L10, C14, C16).....		
S-1832	Transformer-Power transformer, 105-125 volts, 50-60 cycles.....		

Models 85BT & 85BK Battery Receivers



ALIGNMENT PROCEDURE

R.F. & Det. (A)	1700 K.C.
R.F. & Det. (B)	6,000 K.C.
R.F. & Det. (C)	18,000 K.C.
Oscillator (A)	600 K.C., 1,700 K.C.
Oscillator (B)	6,000 K.C.
Oscillator (C)	18,000 K.C.
Intermediate Frequency	480 K.C.

Align all stages for maximum peak.

ALIGNMENT PROCEDURE

Order of Alignment	Test Oscillator			Receiver Dial Setting	Circuit to Adjust	Adjustment Symbols	Adjust to Obtain
	Connection to Receiver	Dummy Antenna	Frequency Setting				
1	1A4 I-F Grid Cap	.001 Mfd.	460 kc	No Signal 550-750 kc	2nd I-F Trans.	L13 & L14	Symmetrical Curve
2	1C6 Det. Grid Cap	.001 Mfd.	460 kc	No Signal 550-750 kc	1st I-F Trans.	L11 & L12	Symmetrical Curve
3	Ant. Term.	300 Ohms	20,000 kc	20,000 kc	"C" Osc.	C11	Max. (peak)*‡
4	Ant. Term.	300 Ohms	6,000 kc	6,000 kc	"B" Osc.	C14	Max. (peak)*
5	Ant. Term.	300 Ohms	6,000 kc	6,000 kc	"B" Ant.	C6	Max. (peak)
6	Ant. Term.	200 Mmfd.	600 kc	600 kc	"A" L-F Osc.	L10	Max. (peak)
7	Ant. Term.	200 Mmfd.	1,500 kc	1,500 kc	"A" H-F Osc.	C15	Max. (peak)
8	Ant. Term.	200 Mmfd.	600 kc	Rock thru 600 kc	"A" L-F Osc.	L10	Max. (peak)
9	Ant. Term.	200 Mmfd.	1,500 kc	Rock thru 1,500 kc	"A" H-F Osc.	C15	Max. (peak)

* Use minimum capacity peak if two peaks can be obtained.

‡ After this adjustment, check for image signal by shifting receiver dial to 19,080 kc.

REPLACEMENT PARTS—MODELS 85BT & 85BK

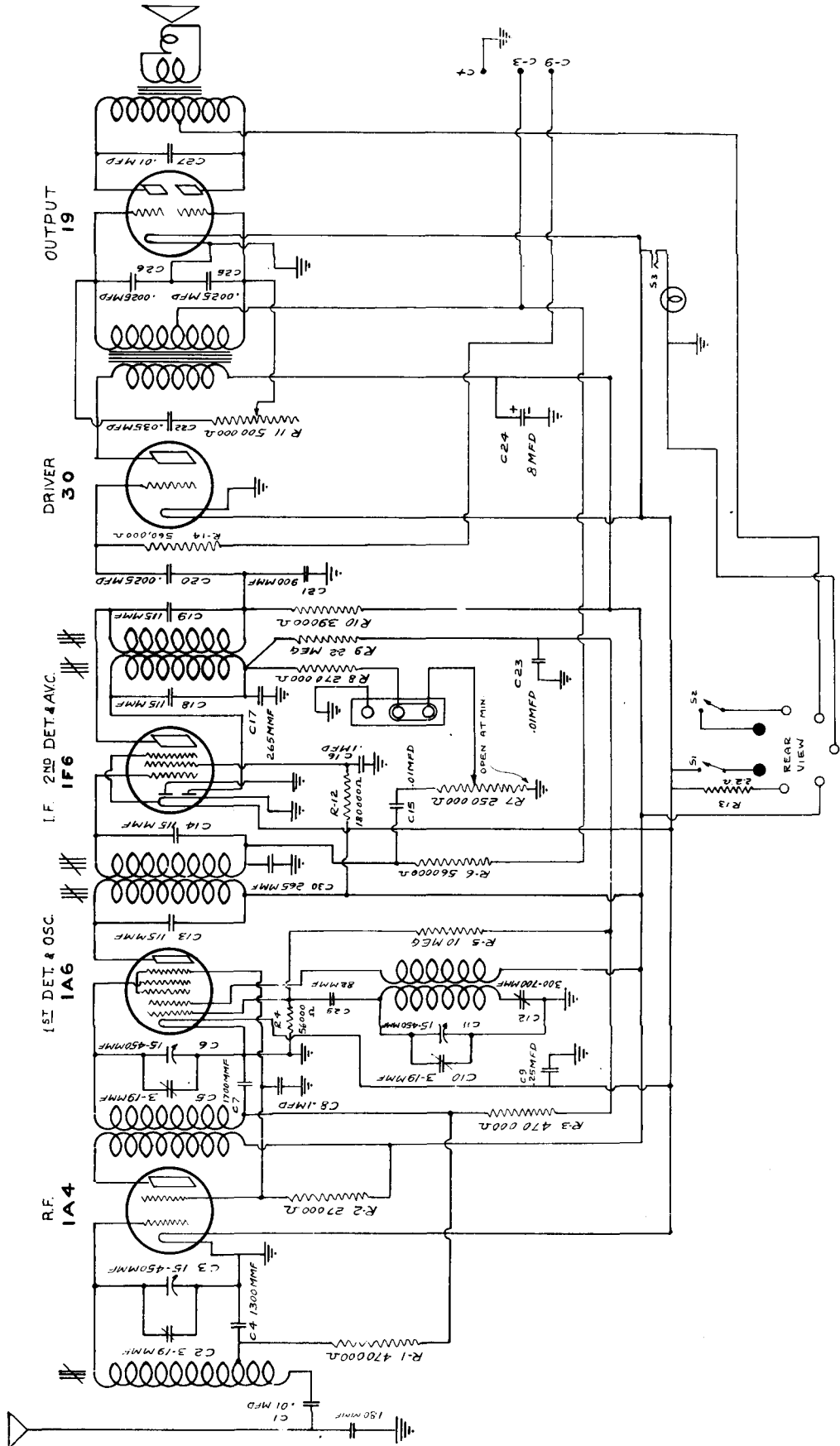
Insist on genuine factory tested parts, which are readily identified and may be purchased from authorized dealers.

STOCK No.	DESCRIPTION	STOCK No.	DESCRIPTION
RECEIVER ASSEMBLIES			
14388	Belt-Variable condenser drive-.....	11452	Resistor-470,000 ohms,carbon type,1/10 watt(R1)..
13216	Board-Antenna and ground terminal board.....	12200	Resistor- 1 megohm,insulated,½ watt (R12).....
12717	Board-Phonograph terminal board.....	13730	Resistor- 1 megohm,carbon type,½ watt (R10).....
14338	Bushing-Variable condenser mounting bushing and screw assembly.....	12679	Resistor- 2.2 megohm,insulated,½ watt (R7).....
12607	Cap-First I.F. transformer shield top.....	14406	Resistor-2.2 ohms, flexible type,3 watts (R13)...
12581	Cap-Second I.F. transformer shield top.....	14350	Screw-No.8-32x3/16 square head set screw for gear Stock #30085 and drum stock #14345-
12118	Cap-Grid contact cap.....	14374	Shield-Antenna coil shield.....
14383	Capacitor-Adjustable dual trimmer C14,C15.....	12008	Shield-I.F. transformer shield.....
14392	Capacitor-4.7 Mmfd. (C3,C4).....	14375	Shield-Oscillator coil shield.....
13307	Capacitor-56 Mmfd. (C21).....	3682	Shield-Radiotron shield.....
12813	Capacitor-82 Mmfd. (C12).....	13311	Shield-Chassis end shield and rubber mounting foot assembly.....
14262	Capacitor-110 Mmfd. (C20).....	14171	Socket-Dial lamp socket.....
12404	Capacitor-120 Mmfd. (C22,C23).....	4794	Socket-4-contact 1A4 or 30 radiotron socket.....
12724	Capacitor-120 Mmfd. (C26).....	4786	Socket-6-contact 1C6,1P6 or 19 radiotron socket..
12406	Capacitor-180 Mmfd. (C24).....	12007	Spring-Retaining spring for core Stock #12006 -
13052	Capacitor-470 Mmfd. (C7).....	12907	Spring-Tension spring for indicator drive gear Stock #30085--
12727	Capacitor-565 Mmfd. (C16).....	14342	Spring-Tension spring for idler stock #14341-
14407	Capacitor-2,800 Mmfd. (C13).....	14402	Switch-Range Switch (S1,S2).....
12728	Capacitor-4,500 Mmfd. (C18).....	12803	Transformer-Audio transformer pack (T1,T2).....
5107	Capacitor-.0025 Mfd. (C25,C30,C33).....	14261	Transformer-First I.F. transformer (L11,L12,C20,C21).....
5005	Capacitor-.0035 Mfd. (C27).....	14283	Transformer-Second I.F. transformer (L13,L14,C22,C23,C24,R6,R8).....
13138	Capacitor-.01 Mfd. (C17).....	14400	Volume Control (R9).....
5196	Capacitor-.035 Mfd. (C31).....	14379	Washer-Felt washer for indicator pointer
4791	Capacitor-.01 Mfd. (C2,C8,C28,C29).....	REPRODUCER ASSEMBLIES	
4840	Capacitor-.025 Mfd. (C9).....	S-1777	Cone-Reproducer cone and dust cap (L15).....
14403	Capacitor Pack-Comprising two section each 8 Mfd. (C19,C32).....	S-1776	Reproducer-Reproducer.....
12681	Cell-Bias cell.....	MISCELLANEOUS ASSEMBLIES	
14372	Coil-Antenna coil and shield (L1,L2,L3,L4).....	4289	Body-Fuse holder female body.....
14373	Coil-Oscillator coil and shield (L5,L6,L7,L8,L9,L10).....	4286	Bushing-Fuse holder bushing and ferrule.....
14397	Condenser-2 gang variable condenser(C5,C6,C10,C11).....	S-1709	Cable-Battery cable complete with fuse, fuse holder, one 7-contact female connector, three 2-contact male connectors and two battery clips
12800	Core-Adjustable core and stud assembly for coil stock No.14373).....	4288	Cap-Fuse holder male cap.....
12006	Core-Adjustable core and stud for I.F.transformer	14289	Clip-Battery clips, one marked "-" and unmarked-
14399	Dial-Station selector dial scale.....	12827	Connector-3-contact male connector for battery cable.....
14398	Drive-Variable condenser vernier drive pinion gear and shaft.....	14409	Connector-7-contact connector for battery cable..
14345	Drum-Variable condenser drive belt drum complete with set screws.....	14396	Escutcheon-Station selector escutcheon and crystal.....
30085	Gear-Indicator drive gear and hub assembly and pointer stem and gear assembly.....	3748	Fuse-¼ ampere (F1)-.....
14405	Holder-Bias cell holder.....	4290	Insulator-Fuse holder insulating sleeve.....
14341	Idler-Station selector drive belt idler.....	14359	Knob-Station selector knob.....
14344	Indicator-Station selector indicator pointer.....	14269	Knob-Volume control,tone control or range switch knob.....
14382	Indicator-Vernier indicator pointer.....	14410	Resistor-0.43 ohms,flexible resistor ½ watt complete with clip (R14).....
4348	Lamp-Dial Lamp.....	4284	Spring-Fuse holder tension spring.....
14404	Plug-7-contact male plug located on rear apron of chassis for battery cable.....	4982	Spring-Retaining spring for knob Stock #14359-
14340	Pulley-Station selector drive belt pulley and knob shaft.....	14270	Spring-Retaining spring for knob Stock #14269-
14361	Reflector-Dial reflector and lamp bracket assembly	S-1779	Tone control & Power Switch (R50).....
11283	Resistor- 1,200 ohms, carbon type ½ watt (R3).....	4285	Washer-Fuse holder insulating washer -
13737	Resistor- 3,300 ohms, carbon type ½ watt (R4).....		
14284	Resistor- 22,000 ohms, carbon type 1/10 watt(R6).....		
11305	Resistor- 22,000 ohms,insulated,½ watt (R5).....		
5029	Resistor- 56,000 ohms,carbon type,½ watt (R2).....		
11398	Resistor-220,000 ohms,carbon type,1/10 watt (R8).....		
11453	Resistor-270,000 ohms,carbon type,1/10 watt(R11).....		

* NOTE:- When ordering reproducer assemblies, state whether or not reproducer is enclosed in a black dust bag.

When ordering Stock No. S-1777 (with black dust bag) state whether it has a spider, or suspension bracket.

Models 85BK-1 & 85BT-1 Battery Receivers



ALIGNMENT PROCEDURE

Order of Alignment	Test Oscillator			Receiver Dial Setting	Circuit to Adjust	Adjustment Symbols	Adjust to Obtain
	Connection to Receiver	Dummy Antenna	Frequency Setting				
1	I-F Amp. Grid Cap	.001 Mfd.	260 kc	No Signal 550-750 kc	2nd I-F Trans.	L9 and L-10	Max. (peak)
2	1st Det.-Osc. Grid Cap	.001 Mfd.	260 kc	No Signal 550-750 kc	1st I-F Trans.	L7 and L8	Max. (peak)
3	Ant. Lead	200 Mmfd.	1,500 kc	1,500 kc	"A" Osc.	C10	Max. (peak)
4	Ant. Lead	200 Mmfd.	1,500 kc	1,500 kc	"A" Det.	C5	Max. (peak)
5	Ant. Lead	200 Mmfd.	1,500 kc	1,500 kc	"A" Ant.	C2	Max. (peak)
6	Ant. Lead	200 Mmfd.	600 kc	Rock Thru 600 kc	"A" L.F. Osc.	C10	Max. (peak)

REPLACEMENT PARTS—Models 85BK-1 & 85BT-1

Insist on genuine factory tested parts, which are readily identified and may be purchased from authorized dealers.

STOCK NO.	DESCRIPTION	STOCK NO.	DESCRIPTION
RECEIVER ASSEMBLIES			
S-1735	Board-Phonograph terminal board.....	S-1744	Resistor-27,000 ohm,insulated $\frac{1}{2}$ watt (R2).....
S-1736	Bracket-Dial scale bracket.....	S-1746	Resistor-39,000 ohm,insulated $\frac{1}{2}$ watt (R10).....
S-1709	Cable-Battery cable complete with fuse, fuse holder,and battery clips,approximately 54".....	5029	Resistor-56,000 ohm carbon type, $\frac{1}{4}$ watt (R4).....
12118	Cap-Grid contact cap,	S-1747	Resistor-180,000 ohm insulated $\frac{1}{4}$ watt (R12).....
13689	Capacitor-Adjustable capacitor (C12)...	11453	Resistor-270,000 ohm Carbon type 1/10 watt (R8).....
12813	Capacitor-82 Mmfd (C29).....	11172	Resistor-470,000 ohm Carbon type $\frac{1}{4}$ watt (R3).....
11998	Capacitor-115 Mmfd (C13,C14,C18,C19)....	12285	Resistor-470,000 ohm insulated $\frac{1}{4}$ watt (R1).....
S-1716	Capacitor-180 Mmfd (C28).....	11397	Resistor-560,000 ohm Carbon type 1/10 watt (R6).....
12761	Capacitor-265 Mmfd (C30).....	5035	Resistor-560,000 ohm Carbon type $\frac{1}{4}$ watt (R14).....
S-1737	Capacitor-900 Mmfd (C21).....	11626	Resistor-2.2 Megohm Carbon type $\frac{1}{4}$ watt (R9).....
13701	Capacitor-1300 Mmfd (C4).....	S-1745	Resistor-10 Megohm Carbon type $\frac{1}{4}$ watt (R5).....
13702	Capacitor-1700 Mmfd (C7).....	12008	Shield-1st and 2nd I.F.Transformer shield.....
3932	Capacitor-.0025 Mfd (C25,C26).....	12607	Shield-Top for 1st I.F.Transformer shield.....
5107	Capacitor-.0025 Mfd (C20).....	12581	Shield-Top for 2nd I.F.Transformer shield.....
4883	Capacitor-.01 Mfd (C1,C15).....	12218	Shield-LA4,LA6 or LF6 Radiotron shield
4858	Capacitor-.01 Mfd (C23,C27).....	11222	Socket-Dial lamp socket.....
5196	Capacitor-.035 Mfd (C22).....	4794	Socket-4 contact LA4 or 30 Radiotron socket.....
4791	Capacitor-.1 Mfd (C8,C16).....	4786	Socket-6 contact LA6,LF6 or L9 Radiotron Socket.....
4840	Capacitor-.25 Mfd (C9).....	S-1750	Switch-Dial lamp switch.....
S-1738	Capacitor- 8 Mfd (C24).....	S-1751	Transformer-Driver transformer.....
12177	Coil-Antenna choke coil (L1).....	S-1752	Transformer-1st I.F.Transformer.....
13685	Coil-Antenna coil and shield (L2).....	S-1753	Transformer-2nd I.F.Transformer.....
13684	Coil-R.F. coil less shield (L3,L4).....	S-1754	Tone Control and operating switch 500,000 ohm (R11).....
12225	Coil-Oscillator coil less shield(L5,L6)	S-1706	Volume control 250,000 ohm (R7).....
S-1739	Condenser-3 gang variable tuning condenser (C2,C3,C5,C6,C10,C11).....	* REPRODUCER ASSEMBLIES	
6516	Connector-Fuse connector complete.....	S-1755	Cone-Reproducer cone and housing complete (Table Model).....
12006	Core-Adjustable core and stud assembly for 1st or 2nd I.F. transformer.....	S-1756	Cone-Reproducer cone and housing complete (Console Model).....
S-1740	Dial-Station selector dial scale.....	S-1757	Reproducer-Reproducer complete with output transformer-(Table Model)6"
3748	Fuse- $\frac{1}{2}$ Ampere	S-1758	Reproducer-Reproducer complete with Output transformer (Console Model)8"
S-1742	Indicator-Station selector indicator pointer.....	9-1759	Transformer-Output transformer(Console)
S-1761	Knob-Pilot lamp knobs	S-1760	Transformer-Output transformer(Table).
S-1762	Knob-Tone control and volume control knobs,		
S-1763	Knob-Tuning knobs,		
4348	Lamp-Dial lamp.....		
12827	Plug-Battery cable plug (male)		
11341	Plug-"C" Battery plug (male)		
S-1748	Plug-Male battery plug (on chassis).....		
S-1749	Connector-Battery cable connector (female).....		
3743	Resistor-0.5 ohm,wire wound flexible (R16).....		
14406	Resistor-2.2 ohm,wire wound flexible (R13).....		

* NOTE:- When ordering reproducer assemblies, state whether or not reproducer is enclosed in a black dust bag.

When ordering Stock No. S-1756 (with black dust bag) state whether it has a spider, or suspension bracket.

ALIGNMENT PROCEDURE

Order of Alignment	Test Oscillator			Range Selector	Receiver Dial Setting	Circuit to Adjust	Adjustment Symbols	Adjust to Obtain
	Connection to Receiver	Dummy Antenna	Frequency Setting					
1	6K7 I-F Grid Cap	.001 Mfd.	460 kc	"A" Left	No Signal 550-750 kc	2nd I-F Trans.	L13 and L14	Max. (peak)
2	6A8 Det. Grid Cap	.001 Mfd.	460 kc	"A"	No Signal 550-750 kc	1st I-F Trans.	L11 and L12	Max. (peak)
3	Ant. Term.	300 Ohms	20,000 kc	"C" Right	20,000 kc	"C" Osc.	C7	Max. (peak)*‡
4	Ant. Term.	300 Ohms	6,000 kc	"B" Center	6,000 kc	"B" Osc.	C11	Max. (peak)*
5	Ant. Term.	300 Ohms	6,000 kc	"B"	6,000 kc	"B" Ant.	C3	Max. (peak)
6	Ant. Term.	200 Mmfd.	600 kc	"A" Left	600 kc	"A" L-F Osc.	L9	Max. (peak)
7	Ant. Term.	200 Mmfd.	1,500 kc	"A"	1,500 kc	"A" H-F Osc.	C13	Max. (peak)
8	Ant. Term.	200 Mmfd.	600 kc	"A"	600 kc	"A" L-F Osc.	L9	Max. (peak)
9	Ant. Term.	200 Mmfd.	1,500 kc	"A"	1,500 kc	"A" H-F Osc.	C13	Max. (peak)

* Use minimum capacity peak if two peaks can be obtained.

‡ After this adjustment, check for image signal by shifting receiver dial to 19,080 kc.

REPLACEMENT PARTS—Models 87E, 87K, 86K & 86T

Insist on genuine factory tested parts, which are readily identified and may be purchased from authorized dealers.

STOCK No.	DESCRIPTION	STOCK No.	DESCRIPTION
	RECEIVER ASSEMBLIES		
14380	Arm-Band indicator operating arm and hub-less set screw, Stock No. 14350...	14262	Capacitor-110 Mmfd. (C15, C16).....
12038	Band-rubber band for tuning tube-	12404	Capacitor-120 Mmfd. (C20, C21).....
		12406	Capacitor-180 Mmfd. (C22).....
		13052	Capacitor-470 Mmfd. (C5).....
		14391	Capacitor-600 Mmfd. (C12).....
		12811	Capacitor-3,600 Mmfd. (C9, C10).....
14384	Belt-Variable condenser drive belt for Models 87E, 86K and 87K only-	S-1811	Capacitor-.0035 Mfd. (C29) (Model 86T).
		4793	Capacitor-.005 Mfd. (C14).....
		13138	Capacitor-.01 Mfd. (C27).....
14388	Belt-Variable condenser drive belt for Model 86T-	14393	Capacitor-.01 Mfd. (C24, C25).....
		11315	Capacitor-.015 Mfd. (C25).....
13216	Board-Antenna and ground terminal board (Table).....	11451	Capacitor-.017 Mfd. (C30).....
		4870	Capacitor-.025 Mfd. (C35).....
14517	Board-antenna and ground terminal board (Console).....	12670	Capacitor-.035 Mfd. (C50).....
		4839	Capacitor-0.1 Mfd. (C19, C23, C28).....
12717	Board-Phonograph terminal board.....	4840	Capacitor-0.25 Mfd. (C26).....
14338	Bushing-Variable condenser mounting bushing and screw assembly.....	12484	Capacitor-0.25 Mfd. (C17).....
		11240	Capacitor-10 Mfd. (C31).....
14394	Cable-Tuning tube cable and socket complete, for Models 87E and 87K only	5212	Capacitor-16 Mfd. (C32).....
12607	Cap-First I.F. transformer shield top	14377	Capacitor-16 Mfd. (C18).....
12581	Cap-Second I.F. transformer shield top	30105	Capacitor-16 Mfd. (C18) (Model 87E only).....
11350	Cap-Grid contact cap-	14372	Coil-Antenna coil and shield (L1, L2, L3, L4).....
14383	Capacitor-adjustable dual trimmer (C11, C13).....	14373	Coil-Oscillator coil and shield (L5, L6, L7, L8, L9, L10).....
14392	Capacitor-4.7 Mmfd. (C-2).....	14363	Condenser-2-gang variable tuning condenser (C3, C4, C7, C8).....
12723	Capacitor-56 Mmfd. (C6).....		

REPLACEMENT PARTS Models 87E, 87K, 86K & 86T Continued

STOCK No.	DESCRIPTION	STOCK No.	DESCRIPTION
5119	Connector-3-contact female connector for reproducer cable.....	11626	Resistor-2.2 Megohm, carbon type, 1/4 watt (R6, R18) (R18 used in Models 87K and 87E only).....
12800	Core-Adjustable core and stud assembly for coil, Stock No. 14373.....	12004	Resistor-Voltage divider resistor-comprising one 216 ohm, one 27 ohm, and one 22 ohm sections (R15, R16, R17).....
12006	Core-Adjustable core and stud for Stock Nos. 14376 and 14283.....	14350	Screw-No. 8-32x3/16 square-head set-screw for gear, Stock No. 30085 and drum Stock No. 14345 and arm, Stock No. 14380.....
14385	Dial-Band indicator dial and mounting bracket assembly for Models 86K and 87K only.....	14374	Shield-Antenna coil shield.....
30106	Dial-Band indicator dial and mounting bracket assembly for Model 87E only..	12008	Shield-First or Second I.F. transformer shield.....
14389	Dial-Band indicator dial and mounting bracket assembly for Model 86T.....	14375	Shield-Oscillator coil shield.....
14381	Dial-Station selector dial scale for Models 86K and 86T only.....	14114	Socket-Dial lamp socket.....
14386	Dial-Station selector dial, complete with tuning tube escutcheon assembly for Models 87K and 87E only.....	11195	Socket-5-contact 5W4 Radiotron socket.....
14364	Drive-Variable condenser vernier drive pinion gear and shaft.....	11196	Socket-8-contact 6A8, 6K7, 6H6, 6F5, or 6F6 Radiotron socket.....
14345	Drum-Variable condenser drive belt drum, complete, with set screws.....	12007	Spring-Retaining spring for core, Stock Nos. 12006 and 12800.....
14387	Escutcheon-Tuning tube escutcheon for Models 87K and 87E only.....	12907	Spring-Tension spring for indicator drive gear, Stock No. 30085.....
11982	Fastener-Station selector dial scale fastener.....	14342	Spring-Tension spring for idler, Stock No. 14341.....
30085	Gear-Indicator drive gear and hub assembly and indicator pointer stem and gear.....	14370	Switch-Range switch (S1, S2).....
14341	Idler-Station selector drive belt idler.....	S-1801	Switch-Tone control and power switch (S3, R50).....
14344	Indicator-Station selector indicator pointer.....	14376	Transformer-First I.F. transformer (L11, L12, C15, C16).....
14382	Indicator-Vernier indicator pointer... 5226	14283	Transformer-Second I.F. transformer (L13, L14, C20, C21, C22, R7, R8).....
14340	Pulley-Station selector drive belt pulley and knob shaft.....	14367	Transformer-Power transformer, 105-125 volts, 50-60 cycles (T1).....
14361	Reflector-Dial reflector and lamp bracket assembly for Models 86K, 86T only.....	14368	Transformer-Power transformer, 105-125 volts, 25-60 cycles (T1).....
14362	Reflector-Dial reflector, lamp bracket and tuning tube bracket assembly for Models 87K and 87E only.....	13838	Trap-Wave trap, complete (L18, C1)....
14343	Retainer-Drive shaft and pulley retainer-holds tuning knob shaft and pulley on range-switch shaft.....	14335	Volume Control (R9).....
11298	Resistor-5,600 ohms, carbon type, 1 watt (R4).....	14379	Washer-Felt washer for indicator pointer-
11726	Resistor-6,800 ohms, carbon type, 1/4 watt (R2).....	REPRODUCER ASSEMBLIES (84001-2) Model 86T.	
5114	Resistor-15,000 ohms, carbon type, 1 watt (R5).....	E-1820	Cone-Reproducer cone (L15).....
14078	Resistor-18,000 ohms, carbon type, 1 watt (R20), for Models 87K and 87E only.....	5118	Plug-3-contact male plug for reproducer.....
14284	Resistor-22,000 ohms, carbon type, 1/10 watt (R7).....	S-1821	Reproducer-Complete.....
11400	Resistor-27,000 ohms, carbon type, 1/4 watt (R10) for Models 86K and 87K and 87E only.....	S-1822	Transformer-Output transformer (T2).
14390	Resistor-Resistor-27,000 ohms, carbon type 1/10 watt (R10) for Model 86T... 5118	REPRODUCER ASSEMBLIES (RL-70E-1) Models 86K, 87K, and 87E.	
13735	Resistor-33,000 ohms, carbon type, 1/4 watt (R1).....	13866	Cap-Dust cap for cone center-
11365	Resistor-82,000 ohms, carbon type, 1/4 watt (R13).....	14354	Coil-Field coil (L17).....
5145	Resistor-100,000 ohms, carbon type, 1/4 watt (R11).....	11469	Coil-Hum neutralizing coil (L16)....
11398	Resistor-220,000 ohms, carbon type, 1/10 watt (R8).....	12667	Cone-Reproducer cone and dust cap (L15).....
11453	Resistor-270,000 ohms, carbon type, 1/10 watt (R12).....	5118	Plug-3-contact male plug for reproducer.....
13005	Resistor-390,000 ohms, carbon type, 1/10 watt (R14).....	14395	Reproducer-Reproducer complete.....
11452	Resistor-470,000 ohms, carbon type, 1/10 watt (R3).....	14355	Transformer-Output transformer (T2).
12013	Resistor-1 Megohm, carbon type, 1/10 watt (R19), for Models 87K and 87E only.....	14357	Washer-Spring washer to hold field coil-
		MISCELLANEOUS ASSEMBLIES	
		14396	Escutcheon-Station selector escutcheon and crystal.....
		14359	Knob-Station selector knob.....
		14269	Knob-Volume control, tone control or range switch knob.....
		4982	Spring-Retaining spring for knob-Stock No. 14359.....
		14270	Spring-Retaining spring for knob-Stock No. 14269.....

ALIGNMENT PROCEDURE

Order of Alignment	Test Oscillator			Receiver Dial Setting	Circuit to Adjust	Adjustment Symbols	Adjust to Obtain
	Connection to Receiver	Dummy Antenna	Frequency Setting				
1	1A4 I-F Grid Cap	.001 Mfd.	460 kc	No Signal 550-750 kc	2nd I-F Trans.	L19 and L20	Symmetrical Curve
2	1C6 Det. Grid Cap	.001 Mfd.	460 kc	No Signal 550-750 kc	1st I-F Trans.	L17 and L18	Symmetrical Curve
3	Ant. Term.	300 Ohms	20,000 kc	20,000 kc	"C" Osc.	C35	Max. (peak) *
4	Ant. Term.	300 Ohms	20,000 kc	20,000 kc	"C" Det.	C10	Max. (peak) †
5	Ant. Term.	300 Ohms	20,000 kc	20,000 kc	"C" Ant.	C4	Max. (peak) ‡
6	Ant. Term.	300 Ohms	6,000 kc	Rock Thru 6,000 kc	"B" Osc.	C37	Max. (peak) *
7	Ant. Term.	200 Mmfd.	600 kc	600 kc	"A" L-F Osc.	L16	Max. (peak)
8	Ant. Term.	200 Mmfd.	1,500 kc	1,500 kc	"A" H-F Osc.	C39	Max. (peak)
9	Ant. Term.	200 Mmfd.	600 kc	Rock Thru 600 kc	"A" L-F Osc.	L16	Max. (peak)
10	Ant. Term.	200 Mmfd.	1,500 kc	Rock Thru 1,500 kc	"A" H-F Osc.	C39	Max. (peak)

* Use minimum capacity peak if two peaks can be obtained.

† Use maximum capacity peak if two peaks can be obtained.

‡ After this adjustment, check for image signal by shifting receiver dial to 19,080 kc.

REPLACEMENT PARTS Models 86BK & 86BT

Insist on genuine factory tested parts, which are readily identified and may be purchased from authorized dealers.

STOCK NO.	DESCRIPTION	STOCK NO.	DESCRIPTION
RECEIVER ASSEMBLIES			
14388	Belt-Variable condenser drive belt-	14390	Resistor-27,000 ohms, carbon type, 1/10 watt (R9)..
12717	Board-Phonograph terminal board.....	12286	Resistor-56,000 ohms, insulated, 1/2 watt (R4).....
13216	Board-Antenna and ground terminal board.....	13734	Resistor-120,000 ohms, carbon type, 1/2 watt (R12)...
14338	Bushing-Variable condenser mounting bushing and screw assembly.....	11398	Resistor-220,000 ohms, carbon type, 1/10 watt (R8)...
12607	Cap-First I. P. transformer shield top.....	11452	Resistor-470,000 ohms, carbon type, 1/10 watt (R1, R3)
12581	Cap-Second I. P. transformer shield top.....	13730	Resistor-1 megohm, carbon type, 1/10 watt (R11, R13)
12118	Cap-Grid contact cap.....	11626	Resistor-2.2 megohm, carbon type, 1/2 watt (R6).....
14392	Capacitor-4.7 Mmfd. (C3, C9).....	14350	Screw-No. 8-32x3/16 square head set screw for gear Stock No. 30085 and drum Stock No. 14345
13307	Capacitor-56 Mmfd. (C17).....	12008	Shield I. P. transformer shield can.....
12723	Capacitor-56 Mmfd. (C24).....	14374	Shield-R. P. or antenna coil shield.....
12813	Capacitor-82 Mmfd. (C14).....	14375	Shield-Oscillator coil shield.....
14262	Capacitor-110 Mmfd. (C16).....	3682	Shield-Radiotron shield.....
12724	Capacitor-120 Mmfd. (C28).....	4794	Socket-4-contact L4 or 30 Radiotron socket.....
12404	Capacitor-120 Mmfd. (C20, C21).....	4786	Socket-6-contact L6, L6 or 19 Radiotron socket..
12406	Capacitor-180 Mmfd. (C25).....	14171	Socket-Dial lamp socket.....
13052	Capacitor-470 Mmfd. (C6, C12).....	12907	Spring-Tension spring for indicator drive gear Stock No. 30085
12727	Capacitor-555 Mmfd. (C38).....	14342	Spring-Tension spring for idler Stock No. 14341
14417	Capacitor-680 Mmfd. (C8).....	12007	Spring-Retaining spring for core Stock No. 12006
14407	Capacitor-2,800 Mmfd. (C36).....	14413	Switch-Range switch (S1, S2).....
12728	Capacitor-4,500 Mmfd. (C41).....	S-1779	Switch-Tone control and power switch (P50).....
5005	Capacitor-.0035 Mfd. (C29).....	14261	Transformer-First I. P. transformer (L17, L16, C16, C17).....
5107	Capacitor-.0025 Mfd. (C26, C30, C32).....	14283	Transformer-Second I. P. transformer (L19, L20, C20, C21, C25, R7, R8).....
5196	Capacitor-.035 Mfd. (C31).....	12803	Transformer-Audio transformer pack (T1, T2).....
13138	Capacitor-.01 Mfd. (C7, C23, C40).....	14379	Washer-Felt washer for indicator pointer-
4791	Capacitor-0.1 Mfd. (C1, C19, C22, C27).....	14335	Volume Control (R10).....
4840	Capacitor-0.25 Mfd. (C18, C33).....	REPRODUCER ASSEMBLIES	
14383	Capacitor-Adjustable dual trimmer (C37, C39).....	CONSOLF MODEL (Speaker No. RL71-1)	
12884	Capacitor-Adjustable trimmer (long) (C4).....	S-1787	Cone-Reproducer cone and dust cap (L21).....
12714	Capacitor-Adjustable trimmer (medium) (C10).....	S-1788	Reproducer-Complete.....
12807	Capacitor-Adjustable trimmer (short) (C35).....	TABLE MODEL (Speaker No. RL73-1)	
14403	Capacitor-Pack comprising two sections each 8 Mfd. (C15, C34).....	S-1777	Cone-Reproducer cone and dust cap (L21).....
12681	Cell-Bias cell.....	S-1776	Reproducer-Complete.....
14372	Coil-Antenna coil and shield (L1, L2, L3, L4).....	MISCELLANEOUS ASSEMBLIES	
14373	Coil-Oscillator coil and shield (L11, L12, L13, L14, L15, L16).....	4289	Body-Fuse holder female body -
14414	Coil-R. P. coil and shield (L5, L6, L7, L8, L9, L10).....	4286	Bushing-Fuse holder bushing and ferrule-
14411	Condenser-3-gang variable tuning condenser (C5, C11, C13).....	S-1709	Cable-Battery cable complete with fuse, fuse holder, one 7-contact female connector, three 3-contact male connectors and two battery clips...
12006	Core-Adjustable core and stud for I. P. transformers	4288	Cap-Fuse holder male cap-
12800	Core-Adjustable core and stud assembly for oscillator coil.....	14289	Clip-Battery clips, one marked "+" and one unmarked
14416	Dial-Station selector dial scale.....	12827	Connector-2-contact male connector for battery cable.....
14432	Drive-Variable condenser vernier drive shaft and pinion gear.....	14409	Connector-7-contact female connector for battery cable.....
14345	Drum-Variable condenser drive belt drum complete with set screws.....	14396	Escutcheon-Station selector escutcheon and crystal
30085	Gear-Indicator drive gear and hub assembly and pointer stem and gear assembly.....	3748	Fuse-1/2 ampere (F1)
14405	Holder-Bias cell holder.....	14269	Knob-Volume control, tone control or range switch knob.....
14341	Idler-Station selector drive belt idler.....	14359	Knob-Station selector knob.....
14344	Indicator-Station selector indicator pointer.....	4290	Insulator-Fuse holder insulating sleeve-
14382	Indicator-Vernier indicator pointer.....	14418	Resistor-0.33 ohms flexible resistor-1/2 watt, complete with clip (R17).....
4348	Lamp-Dial lamp.....	4284	Spring-Fuse holder tension spring -
14404	Plug-7-contact male plug located on rear apron of chassis for battery cable.....	4982	Spring-Retaining spring for knob Stock No. 14359
14340	Pulley-Station selector drive belt pulley and knob shaft.....	14270	Spring-Retaining spring for knob Stock No. 14269
14361	Reflector-Dial reflector and lamp bracket assy..	4285	Washer-Fuse holder insulating washer-
14406	Resistor-2.2 ohms, flexible type, 3 watt (R15).....		
5112	Resistor-1,000 ohms, carbon type, 1/2 watt (R2).....		
11283	Resistor-1,200 ohms, carbon type, 1/2 watt (R16).....		
5144	Resistor-2,700 ohms, carbon type, 1/2 watt (R14).....		
11305	Resistor-22,000 ohms, carbon type, 1/2 watt (R5).....		
14284	Resistor-22,000 ohms, carbon type, 1/10 watt (R7)...		

* NOTE:- When ordering reproducer assemblies, state whether or not reproducer is enclosed in a black dust bag.

When ordering Stock No. S-1756 (with black dust bag) state whether it has a spider, or suspension bracket.

Model CV-8 Pakopower

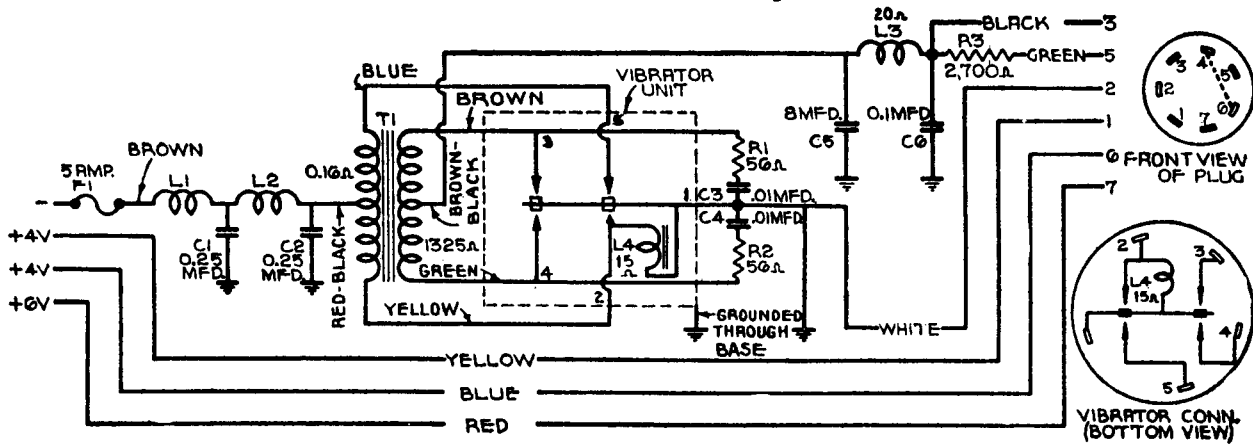


Figure 1. - Schematic Circuit Diagram

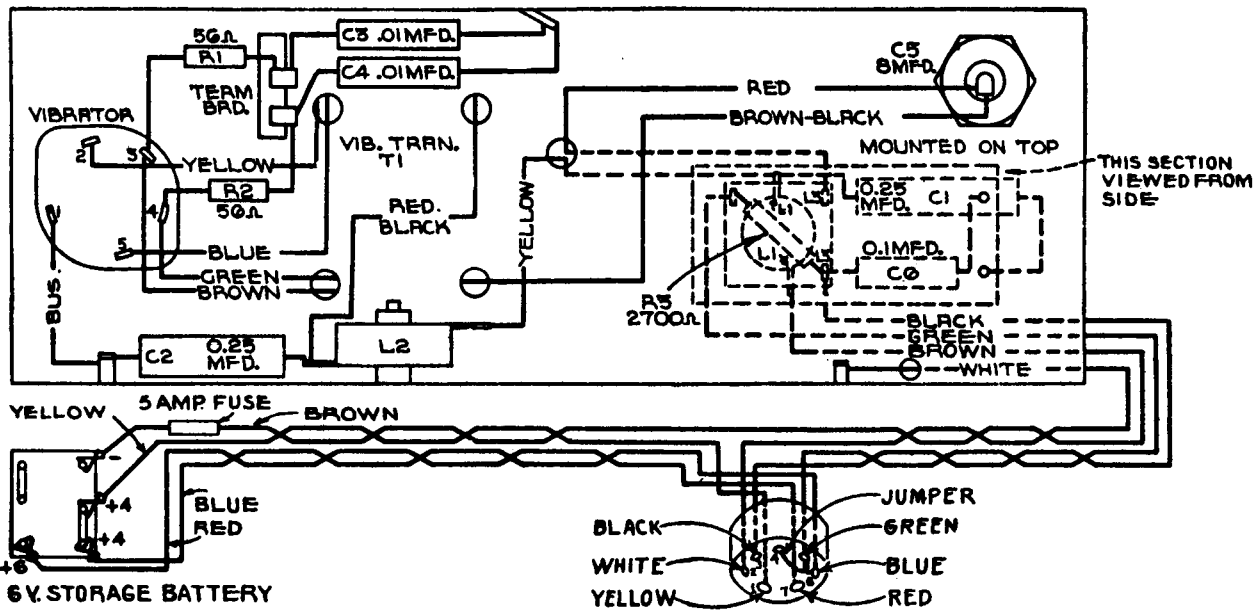
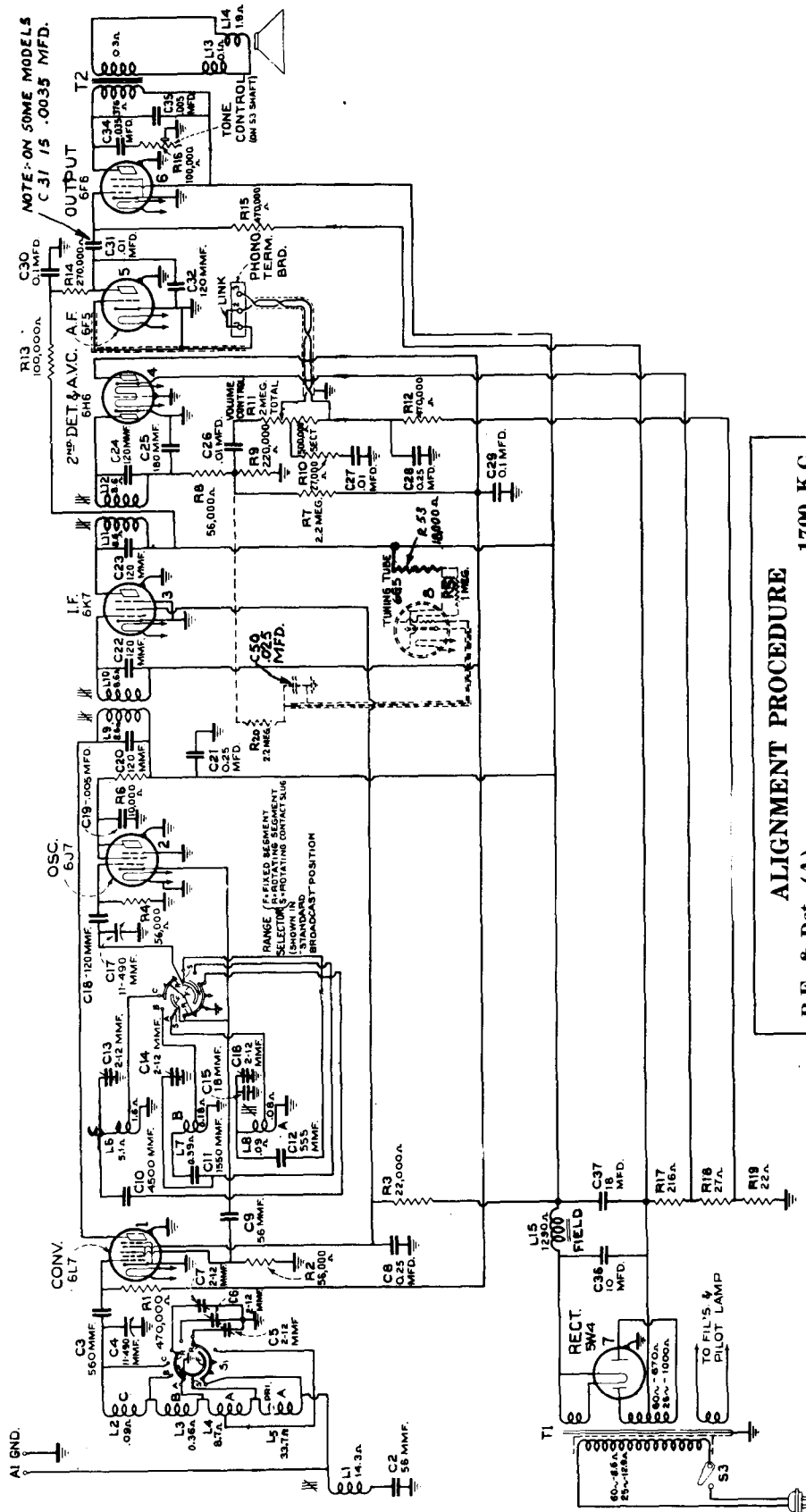


Figure 2. - Chassis Wiring Diagram

REPLACEMENT PARTS

STOCK NO.	DESCRIPTION
4289	Body - Fuse holder female body -
4286	Bushing-Fuse holder bushing and ferrule--
14423	Cable-Battery cable complete, connects battery to vibrator to receiver.....
4288	Cap-Fuse holder male cap -
11654	Capacitor-0.01 Mfd. (C3,C4).....
4841	Capacitor-0.1 Mfd. (C6).....
4840	Capacitor-0.25 Mfd. (C1,C2).....
13046	Capacitor- 8 Mfd. (C5).....
14289	Clip-Two battery clips, one marked "+" and one unmarked...
12819	Coil-Choke coil and terminal board assembly (L3).....
12179	Coil-Choke coil (L1,L2).....
5140	Fuse-5 Ampere (F1)-
4290	Insulator-Fuse holder insulating sleeve,
14419	Mounting-Rubber mounting for vibrator chassis.....
14409	Plug-7 contact female plug for battery cable.....
13220	Resistor-56 ohms, carbon type, 1/4 watt (R1,R2).....
14421	Resistor-27,000 ohms,insulated, 1 watt (R3).....
4284	Spring-Fuse holder tension spring-
14420	Transformer-Vibrator transformer (T1).....
14422	Vibrator-Plug-in vibrator unit (L4).....
4285	Washer-Fuse holder insulating washer-

Model 88T A.C. Receiver



REPLACEMENT PARTS Model 88T

Insist on genuine factory tested parts, which are readily identified and may be purchased from authorized dealers.

STOCK No.	DESCRIPTION	STOCK No.	DESCRIPTION
RECEIVER ASSEMBLIES			
12088	Band-Rubber band for tuning tube-	11398	Resistor-220,000 ohms,carbon type,1/10 watt (R9).....
14388	Belt-Variable condenser drive belt-	11453	Resistor-270,000 ohms,carbon type,1/10 watt (R14).....
12717	Board-Phonograph terminal board.....	11452	Resistor-470,000 ohms,carbon type,1/10 watt (R1,R15).....
S-1809	Board-Antenna and ground terminal board.....	12285	Resistor-470,000 ohms,insulated,1/2 watt (R12).....
14338	Bushing-Variable condenser mounting bushing assembly.....	11382	Resistor-1 Meg.,carbon type,1/10 watt(R22)
S-1810	Cable-Tuning tube cable and socket.....	11626	Resistor-2.2 Meg.,carbon type,1/2 watt (R7,R20).....
11350	Cap-Grid contact cap-	12004	Resistor-Voltage divider comprising one 216 ohm,one 27 ohm,and one 22 ohm sections (R18,R17,R19).....
12714	Capacitor-Adjustable capacitor (C-5,C-6,C-7,C13,C14,C15).....	12715	Resistor-Wire wound comprising one 22,000 ohm and one 10,000 ohm sections (R3,R6).....
12722	Capacitor- 18 Mmfd. (C15).....	12651	Shield-Coil shield for Stock No.12708...
12723	Capacitor- 56 Mmfd. (C9).....	12710	Shield-Coil shield for Stock No.12709...
12726	Capacitor- 56 Mmfd. (C2).....	12008	Shield-I.F.transformer shield for Stock No.12652 and 12653.....
12724	Capacitor- 120 Mmfd. (C18,C32).....	12581	Shield-Shield top for I.F.transformer Stock No.12653.....
12404	Capacitor- 120 Mmfd. (C20,C22,C23,C24).....	12607	Shield-Shield top for I.F.transformer Stock No.12652.....
12406	Capacitor- 180 Mmfd. (C25).....	11195	Socket-5-contact 5W4 radiotron socket...
12727	Capacitor- 555 Mmfd. (C12).....	11196	Socket-8-contact 6J7,6K7,6L7,6F5,6F6 or 6H6 radiotron socket.....
12537	Capacitor- 560 Mmfd. (C3).....	14114	Socket-Dial lamp socket.....
12729	Capacitor-1550 Mmfd. (C11).....	14350	Screw-#8-32x3/16 square head set screw for drum stock No.14345,or Gear Stock #30085-
12728	Capacitor-4500 Mmfd. (C10).....	12007	Spring-Tension spring for core Stock Nos.12006,12664 and 12711-
S-1811	Capacitor-.0035 Mfd. (C31).....	12907	Spring-Tension spring for indicator drive gear Stock No.30085-
4868	Capacitor-.005 Mfd. (C19,C35).....	14342	Spring-Tension spring for idler Stock No.14341-
4883	Capacitor-.01 Mfd. (C22,C31).....	14270	Spring-Retaining spring for knob Stock No.14269-
4858	Capacitor-.01 Mfd. (C27).....	4982	Spring-Retaining spring for knob Stock No.14359-
4870	Capacitor-.025 Mfd. (C50).....	S-1800	Switch-Range switch (S1,S2).....
12670	Capacitor-.035 Mfd. (C34).....	S-1801	Tone control and (operating switch) (R16,S3).....
4791	Capacitor-.01 Mfd. (C29).....	12652	Transformer-First I.F.transformer complete (L9,L10,C20,C22).....
11414	Capacitor-0.1 Mfd. (C30).....	12653	Transformer-Second I.F.transformer complete (L11,L12,C23,C24,C25,R8,R9).....
S-1592	Capacitor-0.25 Mfd. (C28).....	S-1802	Power transformer 105-125 volts 60 cycle (T1).....
5170	Capacitor-0.25 Mfd. (C8,C21).....	S-1803	Power transformer 105-125 volts 25 cycle (T1).....
11240	Capacitor-10 Mfd. (C36).....	12654	Trap-Wave trap complete (L1).....
5212	Capacitor-18 Mfd. (C37).....	14335	Volume control (R11).....
12708	Coil-Antenna coil and shield(L2,L3,L4,L5).	14379	Washer felt washer for indicator-
12709	Coil-Oscillator coil and shield(L6,L7,L8).		
S-1807	Condenser-2-gang variable tuning condenser (C4,C17).....		
5119	Connector-3-contact female connector for speaker cable.....		
12711	Core-Adjustable core and stud for Stock No.12709.....		
12006	Core-Adjustable core and stud for Stock No.12652 and 12653.....		
12664	Core-Adjustable core and stud for Stock No.12654.....		
S-1808	Dial-Station selector dial scale complete with tuning tube escutcheon.....		
S-1812	Drive-Variable condenser vernier drive pinion gear and shaft.....		
14345	Drum-Variable condenser drive belt drum complete with set screws.....		
14387	Escutcheon-Tuning tube escutcheon.....		
14396	Escutcheon-Station selector escutcheon and crystal complete.....		
11982	Fastener-Dial scale fastener-		
30085	Gear-Indicator drive gear and hub assembly and indicator pointer stem and gear assembly.....		
14341	Idler-Station selector drive belt idler...		
14344	Indicator-Station selector indicator pointer.....		
14382	Indicator-Vernier indicator pointer.....		
14359	Knobs-Station selector knobs.....		
14269	Knob-Volume control,tone control or range switch knob-		
5226	Lamp-Dial lamp-		
14028	Nut-Jamb nut for adjustable trimmer capacitor-Stock No.12714-		
14340	Pulley-Station selector drive belt pulley and knob shaft.....		
3219	Resistor-18,000 ohms,carbon type,1/2 watt (R53).....		
12738	Resistor-27,000 ohms,insulated,1/2 watt(R10)		
11282	Resistor-56,000 ohms,carbon type,1/10 watt (R-8,R-4).....		
12286	Resistor-56,000 ohms,carbon type,1/2 watt (R2).....		
11281	Resistor-100,000 ohms,carbon type,1/10 watt (R13).....		
			REPRODUCER ASSEMBLIES (RL-63F-501)
		13866	Cap-Cone center dust cap -
		14354	Coil-Field coil (L15).....
		11469	Hum neutralizing coil.....
		12642	Cone-Reproducer cone and dust cap (L14)
		5118	Plug-3-contact male plug for reproducer.....
		14360	Reproducer-Reproducer complete.....
		14355	Transformer-Output transformer (T2).....
		14357	Washer-Spring washer to hold field coil-

REPLACEMENT PARTS—MODEL 88K

Insist on genuine factory tested parts, which are readily identified and may be purchased from authorized dealers.

STOCK No.	DESCRIPTION	STOCK No.	DESCRIPTION
RECEIVER ASSEMBLIES			
12038	Band-Rubber band for tuning tube,	11175	Resistor-18,000 ohms-Carbon type 1/4 watt (R10).....
14384	Belt-Variable condenser drive belt,	14078	Resistor-18,000 ohms-Carbon type 1 watt (R27).....
14517	Board-Antenna and ground terminal board..	13669	Resistor-22,000 ohms-Carbon type 2 watt (R21).....
12717	Board-Phonograph terminal board.....	14284	Resistor-22,000 ohms-Carbon type 1/10 watt (R5).....
14338	Bushing-Variable condenser mounting bushing assembly.....	13735	Resistor-33,000 ohms-Carbon type 1/4 watt (R4).....
14394	Cable-Tuning tube cable and socket.....	11300	Resistor-33,000 ohms-Carbon type 1/10 watt (R19).....
12607	Cap-First I.F. transformer shield top....	11365	Resistor-82,000 ohms-Carbon type 1/4 watt (R17).....
12581	Cap-Second I.F. transformer shield top...	11398	Resistor-220,000 ohms-Carbon type 1/10 watt (R6).....
11350	Cap-Grid contact cap,	11323	Resistor-270,000 ohms-Carbon type 1/4 watt (R14).....
14021	Capacitor-22 Mmfd. (C25).....	13005	Resistor-390,000 ohms-Carbon type 1/10 watt (R16).....
13545	Capacitor-39 Mmfd. (C7).....	11172	Resistor-470,000 ohms-Carbon type 1/4 watt (R11).....
12720	Capacitor-100 Mmfd. (C11).....	11397	Resistor-560,000 ohms-Carbon type 1/10 watt (R1,R3).....
14262	Capacitor-110 Mmfd. (C12,C13).....	12013	Resistor-1 Megohm-Carbon type 1/10 watt (R23).....
12404	Capacitor-120 Mmfd. (C27,C28).....	11626	Resistor-2.2 Megohm-Carbon type 1/4 watt (R7,R8).....
12724	Capacitor-120 Mmfd. (C18,C33).....	13732	Resistor-10 Megohm-Carbon type 1/4 watt (R22).....
12406	Capacitor-180 Mmfd. (C29).....	14350	Screw-#8-32x3/16 square head set screw for hub and arm on tone or band indicator cable, drum Stk.#14345, Gear Stk.#30085,
12952	Capacitor-330 Mmfd. (C3,C10).....	14374	Shield-Antenna or R.F. coil shield.....
12727	Capacitor-555 Mmfd. (C24).....	14375	Shield-Oscillator coil shield.....
12537	Capacitor-560 Mmfd. (C5).....	12008	Shield-First or second I.F. transformer shield.....
12729	Capacitor-1550 Mmfd. (C22).....	11195	Socket-5 contact 5W4 Radiotron Socket...
12728	Capacitor-4500 Mmfd. (C21).....	11196	Socket-8 contact 6F6,6K7,6J7, 6L7,6Q7 Radiotron Socket.....
12897	Capacitor-4700 Mmfd. (C6).....	14114	Socket-Dial lamp socket.....
4793	Capacitor-.005 Mfd. (C50).....	12007	Spring-Retaining spring for core Stk.#12006 and Stk.#12800,
4838	Capacitor-.005 Mfd. (C34).....	12907	Spring-Tension spring for indicator drive gear Stk.#30085
13138	Capacitor-.01 Mfd. (C31,C35).....	14342	Spring-Tension spring for idler Stk.#14341,
11315	Capacitor-.015 Mfd. (C32).....	14515	Switch-Range switch (S1,S2,S3).....
4870	Capacitor-.025 Mfd. (C38).....	3-1794	Tone control and Power Switch (S5,R50)..
4839	Capacitor-0.1 Mfd. (C4,C17,C37).....	14376	Transformer-First I.F. transformer (L14, L15,C12,C13).....
12484	Capacitor-0.25 Mfd. (C15).....	14283	Transformer-Second I.F. transformer (L16,L17,C27,C28,C29,R5,R6).....
4840	Capacitor-0.25 Mfd. (C16,C40).....	14511	Transformer-Power transformer 105-125 volts 50-60 cycle (T1).....
11240	Capacitor-10 Mfd. (C42).....	14512	Transformer-Power transformer 105-125 volts 25-60 cycle (T1).....
5212	Capacitor-16 Mfd. (C41).....	14335	Volume Control (R9).....
12884	Capacitor-Adjustable trimmer (long) (C2,C23,C26).....	14379	Washer-Felt washer for indicator pointer.
12714	Capacitor-Adjustable trimmer (medium) (C9,C20).....	REPRODUCER ASSEMBLIES (RL-70-EL)	
14372	Coil-Antenna coil and shield (L1,L2,L3, L4).....	13866	Cap-Dust cap for cone center-
14516	Coil-Oscillator coil and shield (L11,L12, L13).....	14354	Coil-Field coil (L20).....
14414	Coil-R.F. coil and shield (L5,L6,L7,L8, L9,L10).....	11469	Coil-Hum neutralizing coil (L19).....
14513	Condenser-3 gang variable tuning condenser (C1,C8,C19).....	12667	Cone-Reproducer cone and dust cap (L18)
5119	Connector-3 contact female connector for speaker cable.....	5118	Connector-3 contact male plug for reproducer.....
12006	Core-Adjustable core and stud for Stk.#14376 and Stk.#14283.....	14395	Reproducer-Reproducer complete.....
12800	Core-Adjustable core and stud for coil Stk.#14516.....	14355	Transformer-Output Transformer (T2).....
14518	Dial-Station selector dial scale complete with tuning tube escutcheon.....	14357	Washer-Spring washer to hold field coil,
14514	Drive-Variable condenser vernier drive pinion gear and shaft.....	MISCELLANEOUS ASSEMBLIES	
14345	Drum-Variable condenser drive belt drum complete with set screws.....	14527	Escutcheon-Station selector escutcheon and crystal complete with tone and band indicating strips.....
14387	Escutcheon-Tuning tube escutcheon.....	14529	Index-Band indicating strip-mounts in station selector escutcheon.....
11982	Fastener-Dial scale fastener-	14528	Index-Tone indicating strip-mounts in station selector escutcheon.....
30085	Gear-Indicator drive gear and hub assembly and indicator pointer stem and gear assembly.....	14269	Knob-Volume control, tone control or range switch knob-
14341	Idler-Station selector drive belt idler..	14359	Knob-Station selector knob.....
14519	Indicator-Station selector indicator pointer.....	14270	Spring-Retaining spring for knob Stk.#14269,
14520	Indicator-Vernier indicator pointer.....	4982	Spring-Retaining spring for knob Stk.#14359,
5226	Lamp-Dial lamp,		
14028	Nut-Jamb nut for adjustable trimmer capacitor Stk.#12714 and Stk.#12884,		
12471	Plate-6J7 Radiotron socket mounting plate and rubber cushions-less socket #11196..		
14340	Pulley-Station selector drive belt pulley and knob shaft.....		
14522	Reflector-Dial reflector and bracket complete with dial lamp brackets, tuning lamp bracket and tone and band indicators.....		
14525	Resistor-22 ohms-Carbon type 1/4 watt (R25)		
14526	Resistor-200 ohms-Wire wound 2 1/2 watts (R24).....		
5112	Resistor-1000 ohms-Carbon type 1/4 watt (R2).....		
8043	Resistor-10,000 ohms-Carbon type 2 watt (R20).....		

REPLACEMENT PARTS—MODELS 810K, U-106 & U-108

Insist on genuine factory tested parts, which are readily identified and may be purchased from authorized dealers.

STOCK No.	DESCRIPTION	STOCK No.	DESCRIPTION
RECEIVER ASSEMBLIES			
12038	Band-Rubber band for tuning tube-	14076	Resistor-18,000 ohms,carbon type 1 watt (R27).....
14384	Belt-Variable condenser drive belt-	14284	Resistor-22,000 ohms,carbon type 1/10 watt (R5).....
14517	Board-Antenna and ground terminal board.....	11300	Resistor-33,000 ohms,carbon type 1/10 watt (R19).....
12717	Board-Phonograph terminal board.....	13735	Resistor-33,000 ohms,carbon type 1/2 watt (R4,R10).....
14338	Bushing-Variable condenser mounting bushing assembly.....	11322	Resistor-39,000 ohms,carbon type 1/2 watt(R12)
14394	Cable-Tuning tube cable and socket.....	5145	Resistor-100,000 ohms,carbon type 1/2 watt (R14,R15,R18).....
11350	Cap-Grid contact cap-	11398	Resistor-220,000 ohms,carbon type,1/10 watt (R6).....
12607	Cap-First I.F. transformer shield top.....	11453	Resistor-270,000 ohms,carbon type,1/10 watt (R16,R17).....
12581	Cap-Second I.F. transformer shield top.....	11172	Resistor-470,000 ohms,carbon type, 1/2 watt(R11)
12884	Capacitor-Adjustable trimmer (long) (C2,C23, C26).....	11397	Resistor-560,000 ohms,carbon type,1/10 watt (R1,R3).....
12714	Capacitor-Adjustable trimmer (medium) (C9,C20).....	12013	Resistor- 1 megohm,carbon type,1/10 watt (R23).....
14021	Capacitor-22 Mmfd. (C25).....	13730	Resistor- 1 megohm,carbon type, 1/2 watt(R13)
13545	Capacitor-22 Mmfd. (C7).....	11626	Resistor- 2.2 megohm,carbon type, 1/2 watt (R8,R7).....
12720	Capacitor-100 Mmfd. (C11).....	11668	Resistor- 5.6 megohm,carbon type, 1/2 watt(R26)
14262	Capacitor-110 Mmfd. (C12,C13).....	14532	Resistor-Voltage divider,comprising one 1500 ohm,one 2500 ohm,one 3900 ohm,one 27 ohm and one 1.5 ohm sections (R20,R21,R22, R24,R25).....
12404	Capacitor-120 Mmfd. (C27,C28).....	14350	Screw-No. 8-32x3/16 square head set screw for drum Stock No.14345 gear Stock No. 30085 and hub and arm on band indicator cable-
12724	Capacitor-120 Mmfd. (C18).....	14374	Shield-Antenna or R.F. coil shield.....
12406	Capacitor-180 Mmfd. (C29).....	12008	Shield-First or Second I.F. transformer shield.....
12952	Capacitor-330 Mmfd. (C3,C10,C33).....	14375	Shield-Oscillator coil shield.....
12727	Capacitor-555 Mmfd. (C24).....	14114	Socket-Dial lamp socket.....
12537	Capacitor-560 Mmfd. (C5).....	11195	Socket-5 contact 5T4 Radiotron socket.....
13762	Capacitor-1500 Mmfd. (C16).....	11196	Socket-8 contact 6F6,6H6,6K7,6L7,6N7,or 6J7 Radiotron socket.....
12729	Capacitor-1550 Mmfd. (C22).....	4982	Spring-Retaining spring for knob Stock No.14359-
12728	Capacitor-4500 Mmfd. (C21).....	14270	Spring-Retaining spring for knob Stock No.14269.....
12897	Capacitor-4700 Mmfd. (C6).....	12907	Spring-Tension spring for indicator drum gear Stock No.30085.....
4838	Capacitor-.005 Mfd. (C39,C40).....	14342	Spring-Tension spring for idler Stock No.14341-
13138	Capacitor-.01 Mfd. (C31,C35,C36).....	12007	Spring-Retaining spring for core Stock No.12006 and No.12800-
14393	Capacitor-.01 Mfd. (C50).....	14515	Switch-Range switch (S1,S2,S3).....
11315	Capacitor-.015 Mfd. (C32).....	S-1794	Tone control and power switch (S5,R50).....
4870	Capacitor-.025 Mfd. (C30,C34).....	14376	Transformer-First I.F. transformer (L14, L15,C12,C13).....
4839	Capacitor-0.1 Mfd. (C4,C17).....	14283	Transformer-Second I.F. transformer (L16, L17,C27,C28,C29,R5,R6).....
12484	Capacitor-0.25 Mfd. (C15).....	11211	Transformer-Power transformer 105-125 volts-50-60 cycle (T1).....
12741	Capacitor-0.5 Mfd. (C14,C37).....	11212	Transformer-Power transformer 105-125 volts,25-60 cycle (T1).....
5212	Capacitor-16 Mfd. (C41).....	14335	Volume Control (R9).....
14531	Capacitor-25 Mfd. (C42).....	14379	Washer-Felt washer for indicator pointer-
14372	Coil-Antenna coil and shield (L1,L2,L3,L4).....	REPRODUCER ASSEMBLIES	
14516	Coil-Oscillator coil and shield, (L11,L12,L13).....	13866	Cap-Dust cap for cone center-
14414	Coil-R.F. coil and shield (L5,L6,L7,L8,L9,L10).....	11234	Coil-Field coil (L20).....
14513	Condenser-3 gang variable tuning condenser (C1,C8,C19).....	11469	Coil-Hum neutralizing coil (L19).....
5040	Connector-4-contact female connector for reproducer cable.....	12667	Cone-Reproducer cone and dust cap (L18)....
12006	Core-Adjustable core and stud for transformer Stock No. 14376 and Stock No. 14283.....	5039	Plug-4 contact male plug for reproducer.....
12800	Core-Adjustable core and stud for coil Stock No. 14516.....	14535	Reproducer-Reproducer complete.....
14518	Dial-Station selector dial scale complete with tuning tube escutcheon.....	14534	Transformer-Output transformer (T2).....
14514	Drive-Variable condenser vernier drive pinion gear and shaft.....	14357	Washer-Spring washer to hold field coil-
14345	Drum-Variable condenser drive belt drum complete with set screws.....		
14387	Escutcheon-Tuning tube escutcheon.....		
14527	Escutcheon-Station selector escutcheon and crystal complete with tone and band indicating strips.....		
11982	Fastener-Dial scale fastener-		
30085	Gear-Indicator drive gear and hub and pointer stem and gear.....		
14341	Idler-Station selector drive belt idler.....		
14519	Indicator-Station selector indicator pointer..		
14520	Indicator-Vernier indicator pointer.....		
14359	Knob-Station selector knob.....		
14269	Knob-Volume control,tone control or range switch knob.....		
5226	Lamp-Dial lamp-		
14028	Nut-Jamb nut for adjustable trimmer capacitor Stock No.12714 and No.12884-		
12471	Plate-6J7 Radiotron socket mounting plate and rubber cushions-less socket.....		
14340	Pulley-Station selector drive belt pulley and knob shaft.....		
14522	Reflector-Dial reflector and bracket complete with dial lamp bracket, tuning tube bracket and tone and band indicators.....		
14720	Resistor-1000 ohms, carbon type 1/2 watt (R2)...		

REPLACEMENT PARTS—MODEL 812K

Insist on genuine factory tested parts, which are readily identified and may be purchased from authorized dealers.

STOCK No.	DESCRIPTION	STOCK No.	DESCRIPTION
RECEIVER ASSEMBLIES			
14701	Arm-Hub and arm for operating band indicator shutter-located on range switch shaft.....	14738	Gear-Drive pinion gear and arm.....
14726	Arm-Hub and arm complete with set screws-connects station selector drum to rear of tuning condenser shaft.....	14739	Gear-Drive gear and set screws-located on tuning condenser knob shaft.....
14517	Board-Antenna and ground terminal board...	14734	Gear-Intermediate gear assembly-comprising one .749" O.D.-34 tooth-gear and one .291" O.D.-12 tooth pinion assembled.....
12717	Board-Phonograph terminal board.....	14735	Gear-Intermediate gear assembly-comprising one 1.541" O.D.-72 tooth gear and one .291" O.D.-12 tooth pinion assembled.....
5237	Bushing-Variable condenser rubber mounting bushing.....	14736	Gear-Intermediate gear assembly-comprising one 1.541" O.D.-72 tooth gear and one hub assembled.....
13656	Button-Plug button for detector coil shield	14737	Gear-Throw-out gear and bracket.....
14725	Cable-Tuning tube cable and socket.....	14716	Holder-Dial scale holder and reflector, complete with holding springs for band indicating shutter.....
12607	Cap-Shield cap for first or second I.F. transformer.....	14715	Indicator-Station selector indicator pointer and support.....
12581	Cap-Shield cap for third or fourth I.F. transformer.....	5226	Lamp-Dial or indicating lamp-
11350	Cap-Grid contact cap -	14719	Link-Link and lever assembly.....
12684	Capacitor-Adjustable trimmer (long) (C2, C45,C51).....	14730	Motor-Tuning drive motor for 25-cycle models only (T3).....
12714	Capacitor-Adjustable trimmer (med.) (C8, C43).....	14729	Motor-Tuning drive motor for 50-cycle models only (T3).....
13200	Capacitor-10 Mmfd. (C52).....	14028	Nut-Jamb nut for trimmer, Stock Nos. 12714 and 12884-
14021	Capacitor-22 Mmfd. (C30).....	12471	Plate-Mounting plate for cushion socket-less socket.....
12813	Capacitor-82 Mmfd. (C6).....	14741	Plate-Tuning condenser front plate and studs assembled for mounting drive gears.....
12720	Capacitor-100 Mmfd. (C26,C60).....	14697	Pulley-Indicator pointer cable pulley..
12404	Capacitor-120 Mmfd. (C24).....	13988	Resistor-10 ohms-carbon type, ¼ watt (R40).....
12724	Capacitor-120 Mmfd. (C54).....	11932	Resistor-330 ohms-carbon type, 1/10 watt (R4).....
14712	Capacitor-180 Mmfd. (C21,C23).....	11296	Resistor-330 ohms-carbon type, ¼ watt (R14).....
14711	Capacitor-220 Mmfd. (C17,C18).....	5030	Resistor-470 ohms-carbon type, ¼ watt (R39).....
12952	Capacitor-330 Mmfd. (C3,C34,C59).....	14720	Resistor-1,000 ohms-carbon type, ¼ watt (R2,R8,R43).....
14710	Capacitor-430 Mmfd. (C11,C15).....	14837	Resistor-1,000 ohms-carbon type, 1/10 watt (R6,R15).....
13052	Capacitor-470 Mmfd. (C48).....	14078	Resistor-18,000 ohms-carbon type, 1 watt (R34).....
14724	Capacitor-560 Mmfd. (C4).....	11305	Resistor-22,000 ohms-carbon type, ¼ watt (R16).....
14723	Capacitor-690 Mmfd. (C47).....	14721	Resistor-22,000 ohms-carbon type, ½ watt (R13).....
12729	Capacitor-1,550 Mmfd. (C46).....	5033	Resistor-33,000 ohms-carbon type, 1 watt (R33).....
12897	Capacitor-4,700 Mmfd. (C5,C49).....	11300	Resistor-33,000 ohms-carbon type, 1/10 watt (R42).....
14722	Capacitor-5,100 Mmfd. (C44).....	11364	Resistor-33,000 ohms-carbon type, ¼ watt (R5).....
4838	Capacitor-.005 Mfd. (C39,C40,C41).....	11646	Resistor-47,000 ohms-carbon type, ¼ watt (R25).....
13138	Capacitor-.01 Mfd. (C12,C13,C22,C29,C33).....	12263	Resistor-100,000 ohms-insulated, ¼ watt (R27).....
14393	Capacitor-.01 Mfd. (C36).....	5145	Resistor-100,000 ohms-carbon type, ¼ watt (R7,R28,R30).....
11315	Capacitor-.015 Mfd. (C35,C37).....	13734	Resistor-120,000 ohms-carbon type, ¼ watt (R41).....
4870	Capacitor-.025 Mfd. (C28).....	11453	Resistor-270,000 ohms-carbon type, 1/10 watt (R31,R32).....
4886	Capacitor-.05 Mfd. (C20,C56).....	11172	Resistor-470,000 ohms-carbon type, ¼ watt (R17).....
4839	Capacitor-0.1 Mfd. (C9,C10,C14).....	S-1690	Resistor-470,000 ohms-carbon type, 1/10 watt (R19,R20).....
12484	Capacitor-0.25 Mfd. (C16,C19,C55).....	11397	Resistor-560,000 ohms-carbon type, 1/10 watt (R1,R3).....
12741	Capacitor-0.5 Mfd. (C27 two in parallel, C38).....	12013	Resistor-1 meg.-carbon type, 1/10 watt (R36).....
5212	Capacitor-16 Mfd. (C58).....	13730	Resistor-1 meg.-carbon type, ¼ watt (R26,R44).....
14531	Capacitor-25 Mfd. (C57).....	11626	Resistor-2.2 meg.-carbon type, ¼ watt (R18,R21).....
14714	Capacitor Pack-Comprising one .015 Mfd. and one .010 Mfd. capacitor, one 27,000 ohm and one 39,000 ohm resistors (C31,C32, R23,R24).....	13732	Resistor-10 meg.-carbon type, ¼ watt (R35).....
14829	Capacitor Pack-Comprising one 16 Mfd. and one 20 Mfd. sections (C50,C61).....	14692	Resistor-Voltage divider-comprising one 1,100 ohm, one 4,000 ohm, one 6,000 ohm, one 180 ohm and two 90 ohm sections (R9,R10,R11,R12,R37,R38).....
14372	Coil-Antenna coil and shield (L1,L2,L3,L4)		
14414	Coil-Detector coil and shield (L5,L6,L7, L8,L9,L10).....		
14713	Coil-Oscillator coil and shield (L11,L12, L13,L14).....		
14727	Condenser-3-gang variable tuning condenser, complete with gear train (C1,C7,C53).....		
5040	Connector-4-contact female connector for reproducer cable.....		
14733	Contact-Spring contact for engaging discs in station selector drum for type 1 contact assembly -		
30365	Contact-Comprising 8 spring contacts assembled on insulating strip for engaging discs in station selector drum (type 2 contact assembly).....		
14699	Cord-Indicator pointer drive cord-		
12006	Core-Adjustable core and stud for I,F. transformer.....		
12800	Core-Adjustable core and stud assembly for oscillator coil.....		
14717	Dial-Station selector dial scale.....		
14740	Drive-Tuning condenser vernier drive shaft and pinion gear.....		
14698	Drum-Drum for indicator drive cord-fastens on tuning condenser shaft.....		
14731	Drum-Station selector drum rotor-comprising 8 station selector contactor discs assembled on shaft.....		

REPLACEMENT PARTS—MODEL 812K Continued

STOCK No.	DESCRIPTION	STOCK No.	DESCRIPTION
14695	Rod-Tie rod for joining lockplate pawls on station selector push-button switches		REPRODUCER ASSEMBLIES (Speaker No. RL76-1)
4669	Screw-No. 8-32x5/32 square head set screw for arm, Stock No.14701, or link, Stock No.14719, or drum, Stock No.14693,		
12418	Screw-No. 8-32x3/16 milled head set screw for gear, Stock No.14739,	14606	
14848	Selector-Station selector drum mechanism-comprising selector contactor discs, spring contacts, and motor reversing switch assembled in metal frame.....	14603 14604 14602	
14374	Shield-Antenna or detector coil shield...	5039	
14375	Shield-Oscillator coil shield.....	14600	
12008	Shield-I.F. transformer shield.....	14601	
14718	Shutter-Band indicating shutter and arm assembly.....	14357	
14696	Slider-Indicator pointer holder and spring.....		
11195	Socket-5-contact 5T4 Radiotron socket...		
11196	Socket-8-contact 6K7,6L7,6J7,6H6,6F6 or 6H7 Radiotron socket.....		
14114	Socket-Dial or indicating lamp socket....		
12007	Spring-Retaining spring for core, Stock No. 12006,		MISCELLANEOUS ASSEMBLIES
3676	Spring-Tension spring for link and lever, Stock No. 14719-		
13638	Spring-Tension spring for cord,Stock No. 14699-		
14694	Spring-Tension spring for lockplate pawl on station selector push-button switches	S-1806 12038 14744	
14742	Stud-Mounting stud for gear and arm, Stock No. 14735-	14745	
14702	Switch-"Manual-Electric-Remote" switch (S7,S10,S12).....	14747	
14705	Switch-L.F. tone and power switch (S1, S8,S11).....	14750	
14732	Switch-Motor reversing switch and mounting plate, for station selector(S9).		
14704	Switch-Range switch (S2,S3,S4,S6).....	14743	
14726	Switch-A.F.C. and A.F. amplification suppression switch (S13).....		
14693	Switch-Station selector button switch-comprising four contacts and corresponding lockplates, completely assembled on insulating strips.....	14749 14748	
14703	Tone Control-H.F. tone control (R29,S5)...		
14706	Transformer-First I.F. transformer (L15, L16,L17,C11,C15).....	14751	
14707	Transformer-Second I.F. transformer (L18, L19,L29,C17,C18).....	14359 14688 14269	
14708	Transformer-Third I.F. transformer (L20, L21,C21,C23).....		
14709	Transformer-Fourth I.F. transformer(L22, L23,L24,C24).....	14746	
14689	Transformer-Power transformer,105-125 volts,50-60 cycle (T1).....	4982	
14690	Transformer-Power transformer,105-125 volts,25-60 cycle (T1).....	14270	
12861	Volume Control (R22).....		

ALIGNMENT PROCEDURE

Order of Alignment	Test Oscillator			Range-Selector	Receiver Dial Setting	Circuit to Adjust	Adjustment Symbols	Adjust to Obtain
	Connection to Receiver	Dummy Antenna	Freqrncy Setting					
1	—	—	—	—	—	4th I-F Trans.	L33	Turn Extreme Counter-clockwise
2	No. 6 6K7 Eye I-F Grid Cap	.001 Mfd.	460 kc	"Standard Broadcast"	No Signal 550-750 kc	3rd I-F Trans.	L29 and L30	Min. Eye
3	No. 5 6K7 1st I-F Grid Cap	.001 Mfd.	460 kc	"Standard Broadcast"	No Signal 550-750 kc	2nd I-F Trans.	L26 and L27	Min. Eye
4	No. 2 6L7 Det. Grid Cap	.001 Mfd.	460 kc	"Standard Broadcast"	No Signal 550-750 kc	1st I-F Trans.	L23 and L24	Min. Eye
5	No. 2 6L7 Det. Grid Cap	.001 Mfd.	460 kc	"Standard Broadcast"	No Signal 550-750 kc	5th I-F Trans.	L35 and L36	Max. (peak)
6	Ant. Term.	300 Ohms	6,000 kc _a	"49M."	6.0 mc	"49M." Osc.	C10	Min. Eye _b
7	Ant. Term.	300 Ohms	6,100 kc	"49M."	6.1 mc	"49M." Osc.	C10	Min. Eye
8	Ant. Term.	300 Ohms	6,100 kc	"49M."	6.1 mc	"49M." Det.	C20	Min. Eye
9	Ant. Term.	300 Ohms	6,100 kc	"49M."	6.1 mc	"49M." Ant.	C3	Min. Eye
10	Ant. Term.	300 Ohms	1,200 kc _c	"31M."	9.6 mc	"31M." Osc.	L12	Min. Eye _d
11	Ant. Term.	300 Ohms	1,300 kc	"25M."	11.7 mc	"25M." Osc.	L11	Min. Eye _e
12	Ant. Term.	300 Ohms	1,700 kc	"19M."	15.3 mc	"19M." Osc.	L10	Min. Eye _f
13	Ant. Term.	300 Ohms	20,000 kc	"S.W."	20 mc	"S.W." H-F Osc. ("C")	C65	Min. Eye _g
14	Ant. Term.	300 Ohms	9,500 kc	"S.W."	9.5 mc	"S.W." L-F Osc. ("C")	L14	Min. Eye _h
15	Ant. Term.	300 Ohms	20,000 kc	"S.W."	20 mc	"S.W." H-F Osc. ("C")	C65	Min. Eye
16	Ant. Term.	300 Ohms	6,000 kc	"M.W."	6.0 mc	"M.W." Osc. ("B")	C68	Min. Eye
17	Ant. Term.	200 Mmfd.	1,500 kc	"Standard Broadcast"	1,500 kc	"A" H-F Osc.	C15	Min. Eye
18	Ant. Term.	200 Mmfd.	600 kc	"Standard Broadcast"	600 kc	"A" L-F Osc.	L17	Min. Eye
19	Ant. Term.	200 Mmfd.	1,500 kc	"Standard Broadcast"	1,500 kc	"A" H-F Osc.	C15	Min. Eye
20	Proceed to A-F-C Discriminator Adjustments Outlined Below							

Use minimum capacity peak if two peaks can be obtained from 1,000 kc harmonics. Refer to "Spread-band Adjustments" below for Test Oscillator setting for adjustments 10, 11 and 12.

To check for correct harmonic carefully set Test Oscillator to 1,600 kc using Crystal Calibrator. Signal should be indicated by "Magic Eye" in "31M." band near 9.6 mc.

To check for correct harmonic carefully set Test Oscillator to 900 kc using Crystal Calibrator. Signal should be indicated by "Magic Eye" in "25M." band near 11.7 mc.

To check for correct harmonic carefully set Test Oscillator to 900 kc using Crystal Calibrator. Signal should be indicated by "Magic Eye" in "19M." band near 15.3 mc.

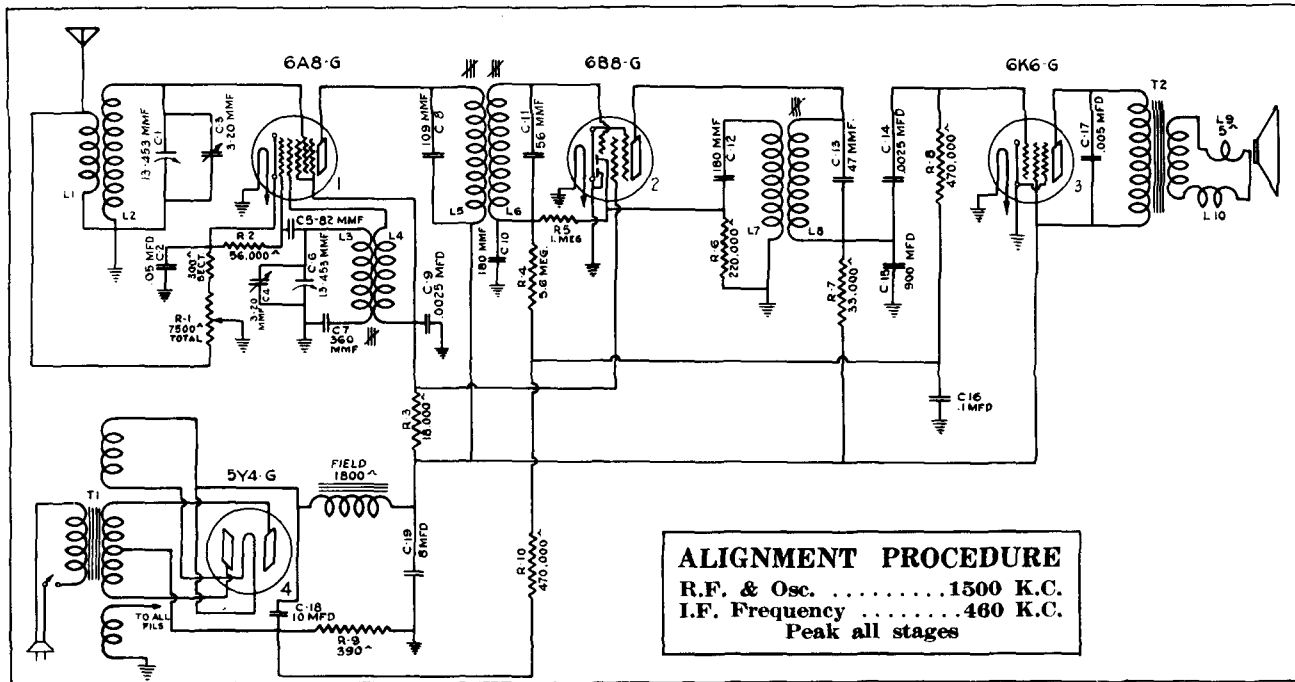
After this adjustment, check for image signal by shifting receiver dial to 19.08 mc. (19,080 kc). Check for image at 8.58 mc. (8,580 kc).

REPLACEMENT PARTS—MODEL 816K

Insist on genuine factory tested parts, which are readily identified and may be purchased from authorized dealers.

STOCK No.	DESCRIPTION	STOCK No.	DESCRIPTION
	RECEIVER ASSEMBLIES		
14726	Arm-Hub and arm complete with set screws -Connects station selector drum to rear of tuning condenser shaft.....	12607	Cap-First or second I-F Transformer shield cap.....
14883	Arm-Arm and hub assembly located on "Manual-Electric-Remote" switch shaft.....	12581	Cap-Third, fourth or fifth I-F transformer shield cap.....
14517	Board-Antenna and ground terminal board.....	11350	Cap-Grid contact cap.....
12717	Board-Phonograph terminal board.....	12884	Capacitor-Adjustable trimmer (long) (C3, C10, C15, C20, C65, C68).....
14885	Bracket-Left hand dial bracket and pulley assembly.....	14392	Capacitor-4.7 Mmfd. (C62).....
14884	Bracket-Right hand dial bracket and pulley assembly.....	13002	Capacitor-12 Mmfd. (C67).....
14878	Bracket-Tuning tube mounting bracket and clamp assembly.....	30016	Capacitor-12 Mmfd. (C34).....
5237	Bushing-Variable condenser rubber mounting bushing assembly.....	12896	Capacitor-15 Mmfd. (C64).....
14919	Cable-5 conductor push-button selector cable.....	30015	Capacitor-15 Mmfd. (C33).....
14918	Cable-7 conductor tuning drive motor and push-button selector cable.....	12948	Capacitor-33 Mmfd. (C40).....
S-1823	Cable-Tuning tube cable & socket assembly complete.....	12813	Capacitor-82 Mmfd. (C16).....
		14910	Capacitor-90 Mmfd. (C21).....
		14908	Capacitor-96.5 Mmfd. (C9).....
		14906	Capacitor-100 Mmfd. (C7).....
		12720	Capacitor-100 Mmfd. (C36, C58).....
		14960	Capacitor-100 Mmfd. (C73).....
		14907	Capacitor-103.5 Mmfd. (C8).....
		14909	Capacitor-110 Mmfd. (C6).....
		12404	Capacitor-120 Mmfd. (C35, C71, C72, C75).....
		14712	Capacitor-180 Mmfd. (C31, C32).....

Model 94T A.C. Receiver



ALIGNMENT PROCEDURE
 R.F. & Osc. 1500 K.C.
 I.F. Frequency 460 K.C.
 Peak all stages

REPLACEMENT PARTS MODEL 94T

Insist on genuine factory tested parts, which are readily identified and may be purchased from authorized dealers.

STOCK NO.	DESCRIPTION	STOCK NO.	DESCRIPTION
RECEIVER ASSEMBLIES			
11350	Cap-Grid contact cap -	S-2082	Retainer-Small size condenser drive pulley spring "C" Washer-
S-1734	Capacitor-47 Mmfd. (C13).....	2917	Retainer-Medium size condenser drive pulley spring "C" Washer-
13307	Capacitor-56 Mmfd. (C11).....	3903	Screws-Main drive pulley set screws-
12813	Capacitor-82 Mmfd. (C5).....	S-2174	Shaft-Tuning drive shaft.....
14262	Capacitor-109 Mmfd. (C8).....	S-2063	Shield-First detector,6B8G radiotron shield.....
12406	Capacitor-180 Mmfd. (C10,C12).....	12008	Shield-1st I.F. transformer shield..
13894	Capacitor-390 Mmfd. (C7).....	12581	Shield-Top for first I.F.transformer shield.....
S-2053	Capacitor-900 Mmfd. (C15).....	11196	Socket-8 contact radiotron socket...
5107	Capacitor-.0025 Mfd. (C9,C14).....	S-2081	Spring-Tuning drive cord spring-
4793	Capacitor-.005 Mfd. (C17).....	S-2069	Switch-Power switch.....
4836	Capacitor-.05 Mfd. (C2).....	S-2090	Tuning condenser mounting assembly..
4839	Capacitor-1 Mfd. (C16).....	S-2065	Transformer-First I.F. transformer (L5,L6,C8,C10,C11,R4).....
S-1765	Capacitor-8 Mfd. (C19).....	S-1770	Transformer-Second I.F.transformer (L7,L8,C12,C13).....
11240	Capacitor-10 Mfd. (C18).....	S-2066	Transformer-Power transformer 105-125 volt-60-cycle (T1).....
S-2064	Clip-Radiotron shield grounding clip-	S-2067	Transformer-Power transformer,105-125 volt-25-cycle (T1).....
S-2054	Coil-Antenna coil (L1,L2).....	S-2068	Volume control (R1).....
S-2030	Coil-Oscillator coil (L-3,L-4).....	REPRODUCER ASSEMBLIES	
S-2056	Condenser-Two gang variable tuning condenser (C1,C3,C4,C6).....	S-2084	Coil Assembly-Comprising field magnet and cone support, less output transformer.....
12006	Core-Adjustable core and stud for 1st, 2nd I.F. transformers and oscillator coil.....	S-1677	Cone-Reproducer cone.....
S-2169	Cord-Tuning condenser drive cord.....	S-2085	Reproducer-Complete.....
S-2057	Dial-Station selector dial scale.....	S-1676	Transformer-Output transformer (T2).
S-2170	Felt-Reproducer felt pad.....		
S-1862	Knob-Station selector,volume control or power switch knob		
S-2058	Indicator-Station selector indicator pointer.....		
S-2171	Pulley-Small size condenser drive pulley.....		
S-2172	Pulley-Medium size condenser drive pulley.....		
S-2173	Pulley-Large size condenser drive pulley.....		
S-2059	Resistor-390 ohms, insulated type, 1 watt (R9).....		
S-2060	Resistor-18,000 ohms,insulated type, 1 watt (R3).....		
S-2061	Resistor-33,000 ohms,insulated type, 1 watt (R7).....		
12286	Resistor-56,000 ohms,insulated type, 1/2 watt (R2).....		
12264	Resistor-220,000 ohms,insulated type, 1/2 watt (R6).....		
12285	Resistor-470,000 ohms,insulated type, 1/2 watt (R8,R10).....		
S-2062	Resistor-1 Megohm,insulated type,1/2 watt,R5		
S-1768	Resistor-5.6 Megohm, carbon type,1/10 watt (R4).....		

REPLACEMENT PARTS FOR Models 95K & 95T-2

Insist on genuine factory tested parts, which are readily identified and may be purchased from authorized dealers.

STOCK NO.	DESCRIPTION	STOCK NO.	DESCRIPTION
RECEIVER ASSEMBLIES			
14517	Board-Antenna-ground terminal board.	31418	Spring-Indicator, or drum drive cord tension spring.
31379	Capacitor-Dual trimmer 2-10 kmfd. and 3-30 kmfd. (C21, C25).	31364	Socket-Dial lamp socket.
14079	Capacitor-6.8 kmfd. (C1).	14278	Socket-Pick-up socket.
31387	Capacitor-Antenna coil trimmer capacitor bank 20-470 kmfd. (C31, C32, C33, C34, C35, C36).	31251	Socket-Radiotron socket.
12948	Capacitor-33 kmfd. (C3).	31367	Switch-Range switch (S1).
12720	Capacitor-100 kmfd. (C42).	31370	Switch-Station selector push-button switch (S4, S5, S31, S32, S33, S34, S35, S36, S37, S38, S39, S40, S41, S42, S43, S44, S45).
30904	Capacitor-100 kmfd. (C5, C6, C7, C8).	30957	Transformer-First I.F. transformer (L10, L11, C5, C6).
12724	Capacitor-120 kmfd. (C12).	30903	Transformer-Second I.F. transformer (L12, L13, C7, C8).
13003	Capacitor-180 kmfd. (C37).	31445	Transformer-Power transformer 100-120 volts, 25-60 cycle (T1).
31381	Capacitor-620 kmfd. (C24).	31380	Transformer-Power transformer 100-120 volts, 50-60 cycle (T1).
31435	Capacitor-750 kmfd. (C26).	S-2153	Trap-Wave Trap (used on 25 cycle models only).
31399	Capacitor-4,700 kmfd. (C27).	SPEAKER ASSEMBLIES-Table Model. Speaker No. 101069-502	
4858	Capacitor-.01 mfd. (C13).	S-2044	Cap-Dust cap for reproducer cone.
14393	Capacitor-.01 mfd. (C43).	S-2019	Coil-Field Coil.
4838	Capacitor-.005 mfd. (C14, C17).	S-2020	Cone-Reproducer cone.
11315	Capacitor-.015 mfd. (C11).	S-2187	Reproducer-Complete.
4839	Capacitor-0.1 mfd. (C9, C38, C39).	14355	Transformer-Output transformer.
12484	Capacitor-0.25 mfd. (C44).	SPEAKER ASSEMBLIES-Console Model Speaker No. RL7OH-1	
31371	Capacitor-Comprising two 10 mfd., one 20 mfd., and one 5 mfd. sections (C18, C19, C16, C41).	13866	Cap-Dust cap for cone center-
S-2145	Cell-Bias Cell.	12012	Coil-Field coil (L16).
31382	Clip-Oscillator coil and core mounting clip.	11469	Coil-Hum Neutralizing coil (L15).
31378	Coil-Antenna coil-"A" and "C" bands (L1, L2, L3).	31275	Cone-Speaker cone and voice coil (L14).
31377	Coil-Oscillator coil-"A" and "C" bands (L4, L5, L6, L7).	31302	Plug-4-contact male plug.
31383	Coil-Oscillator coil-"A" band (L41, L42).	31592	Speaker-Speaker complete.
31384	Coil-Oscillator coil-"A" band (L39, L40).	14358	Screw-Screw, washer, and lockwasher to hold core in yoke.
31385	Coil-Oscillator coil-"A" band (L37, L38).	31301	Transformer-Output transformer (T2).
31369	Condenser-2 gang variable tuning condenser (C28, C29, C30).	14357	Washer-Spring washer to hold field coil.
31366	Control-Volume control, tone control and on-off switch (R6, R13, S3).	MISCELLANEOUS ASSEMBLIES	
31375	Cord-Indicator pointer drive cord.	31397	Button-Station selector push-button.
31374	Cord-Variable condenser drum drive cord.	31456	Cover-Protective covers for push-button markers.
30905	Core-Adjustable core and stud for I.F. transformer.	31396	Dial-Station selector dial scale.
31386	Core-Adjustable core and stud for oscillator coil-Stock Nos. 31383, 31384 and 31385.	31395	Escutcheon-Station selector escutcheon less dial scale and push-buttons.
31372	Drum-Variable condenser drive cord drum and calibrator dial.	31392	Indicator-Station selector indicator pointer.
S-2144	Holder-Bias cell holder.	31355	Knob-Range switch knob.
31480	Lamp-Dial lamp.	14359	Knob-Station selector knob.
5040	Plug-4-contact female plug for speaker cable.	31391	Knob-Tone control knob.
31373	Pulley-Drive cord pulley.	30773	Knob-Volume Control knob.
31388	Resistor-390 ohms, 1 watt (R12).	S-2149	Marker-Station call letter markers.
31389	Resistor-12,000 ohms, wire wound, 5 watts (R14).	31457	Marker-"Victrola" marker for push button.
30151	Resistor-18,000 ohms, 1 watt (R17).	31458	Marker-"Dial Tuning" marker for push button.
14284	Resistor-22,000 ohms, 1/10 watt (R4).	31393	Screen-Station selector dial color screen and light diffuser.
12738	Resistor-27,000 ohms, 1/4 watt (R7).	S-2051	Screwdriver-aligning screw.
12454	Resistor-33,000 ohms, 1/4 watt (R2).	31394	Stop-Indicator pointer slide stop.
14560	Resistor-100,000 ohms, 1/4 watt (R10).		
12264	Resistor-220,000 ohms, 1/4 watt (R5).		
12199	Resistor-270,000 ohms, 1/4 watt (R8).		
12285	Resistor-470,000 ohms, 1/4 watt (R9).		
12679	Resistor-2.2 meg., 1/4 watt (R3).		
14343	Retainer-Retaining spring for station selector knob shaft.		
14887	Retainer-Drive cord pulley retainer-		
4669	Screw-No. 8-32 square head set screw for drum Stock No. 31372		
31368	Shaft-Station selector knob shaft and pulley.		

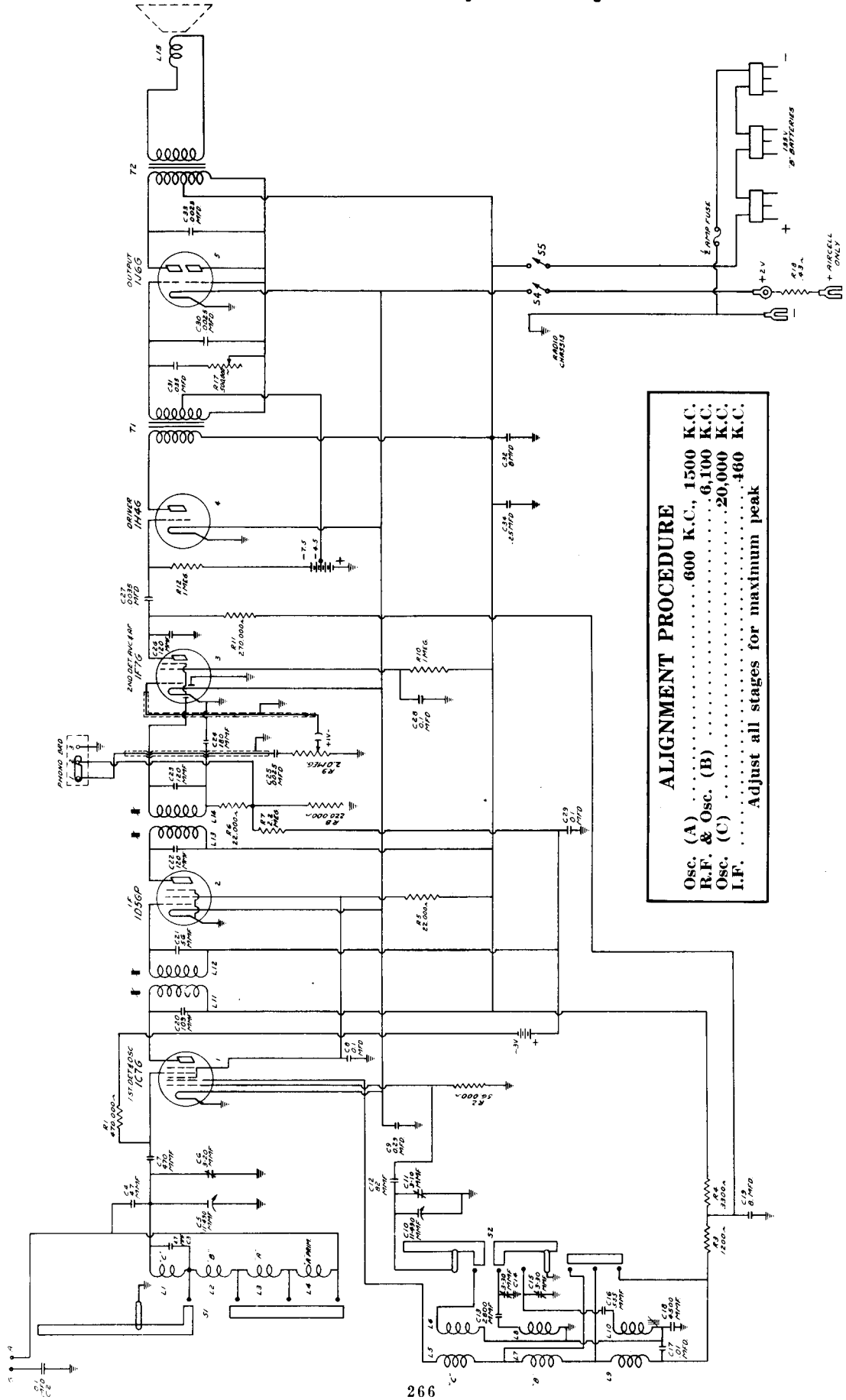
REPLACEMENT PARTS PECULIAR TO MODELS 95T-2, 95K

STOCK NO.	DESCRIPTION	STOCK NO.	DESCRIPTION
<u>Second Production Only</u>			
S-2238	Coil-Antenna Coil (L1, L2, L3).	32356	Dial-Station selector dial scale.
S-2234	Switch-Range Switch (S1).	32490	Switch-Range Switch (S1).
<u>Third Production Only</u>			
32485	Capacitor-Comprising two 10 mfd., one 20 mfd., and one 5 mfd. sections (C16, C18, C19, C41).	30957	Transformer-First I.F. Transformer (L10, L11, C5, C6).
32488	Coil-Antenna Coil (L1, L2, L3, L4).	30903	Transformer-Second I.F. Transformer (L12, L13, C7, C8).
32489	Coil-Oscillator Coil (L5, L6, L7, L8).	32553	Trap-Wave Trap (L43, C43)-25 cycle models only.

Alignment Procedure

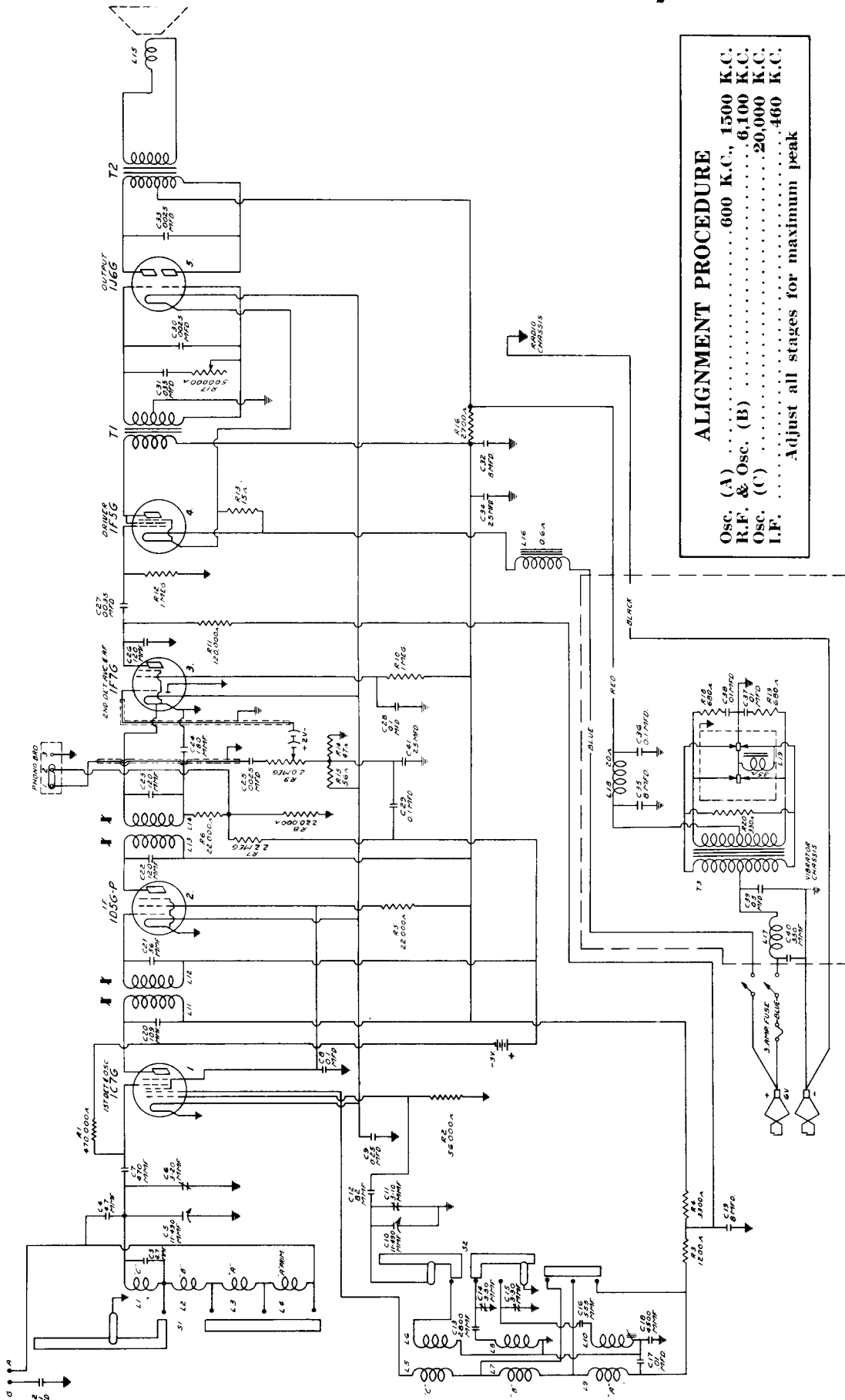
Steps	Connect the high side of test-osc. to—	Tune test-osc. to—	Turn radio dial to—	Adjust the following for max. peak output
1	6K7 I-F grid cap, in series with .01 mfd.	455 kc	"A" band, Quiet Point	L12 and L13 (2nd I-F Trans.)
2	6K8 det. grid cap, in series with .01 mfd.	455 kc	between 550-750 kc	L10 and L11 (1st I-F Trans.)
3	Antenna Terminal, in series with 400 ohms	15.2 mc	15.2 mc (33.5°) "C" band	C21* (osc.) C30** (ant.)
4	Antenna Terminal in series with 200 mmf.	1,500 kc	1,500 kc (28°) "A" band	C25 (osc.)

Models 95BT, 95BK, Battery Receivers



Schematic Circuit Diagram (Models 95BT, 95BK)

Models 95BT-6 & 95BK-6 Battery Receivers



ALIGNMENT PROCEDURE

Osc. (A) 600 K.C., 1500 K.C.
 R.F. & Osc. (B) 6,100 K.C.
 Osc. (C) 20,000 K.C.
 I.F.460 K.C.

Adjust all stages for maximum peak

Schematic Circuit Diagram (Models 95BT6, 95BK6)

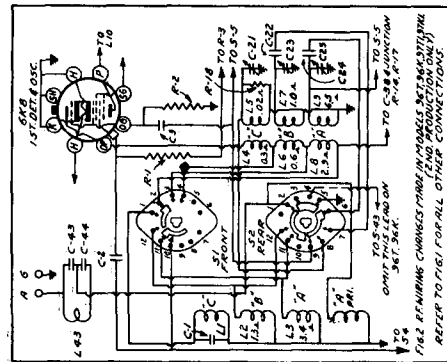
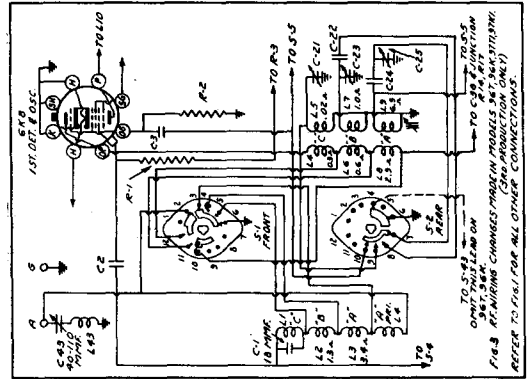
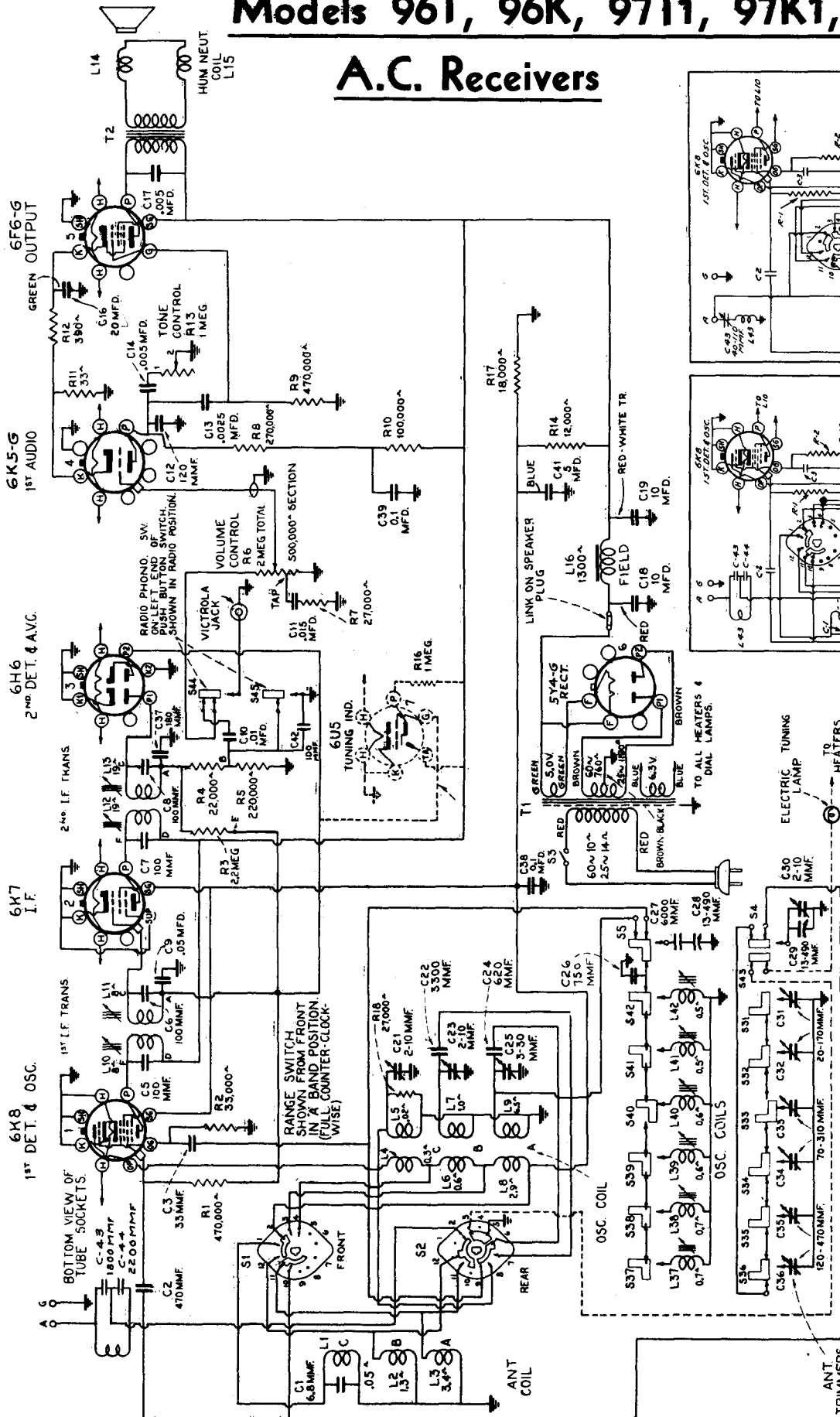
REPLACEMENT PARTS MODELS 95BT, 95BK, 95BT6 and 95BK6

Insist on genuine factory tested parts, which are readily identified and may be purchased from authorized dealers.

STOCK No.	DESCRIPTION	STOCK No.	DESCRIPTION
RECEIVER ASSEMBLIES			
14388	Belt-Variable condenser drive belt....	12286	Resistor-56,000 ohms,carbon type, $\frac{1}{4}$ watt (R2).....
13216	Board-Antenna and ground terminal board	11398	Resistor-220,000 ohms,carbon type,1/10 watt (R8).....
12717	Board-Phonograph Terminal Board.....	11453	Resistor-270,000 ohms,carbon type,1/10 watt (R11).....
14338	Bushing-Variable condenser mounting bushing and screw assembly.....	11452	Resistor-470,000 ohms,carbon type,1/10 watt (R1).....
12607	Cap-First I.F.Transformer shield top..	12200	Resistor-1 Megohm insulated, $\frac{1}{4}$ watt (R12).....
12581	Cap-Second I.F.Transformer shield top.	13730	Resistor-1 Megohm,carbon type, $\frac{1}{4}$ watt (R10).....
30314	Cap-Grid contact cap-	12679	Resistor-2.2 Megohms,insulated, $\frac{1}{4}$ watt (R7).....
S-2091	Cap-Station selector indicator pointer cap.....	14350	Screw-No.8-32x3/16 square head set screw for gear stock No.30085 and drum stock No.14345
14383	Capacitor-Adjustable dual trimmer....	14374	Shield-Antenna coil shield.....
14392	Capacitor-4.7 Mmfd. (C3,C4).....	12008	Shield-I.F. Transformer shield.....
13307	Capacitor-56 Mmfd. (C21).....	14375	Shield-Oscillator coil shield.....
12813	Capacitor-82 Mmfd. (C12).....	12218	Shield-Radiotron shield.....
14262	Capacitor-110 Mmfd. (C20).....	11196	Socket-Octal radiotron socket.....
12404	Capacitor-120 Mmfd. (C22,C23).....	12007	Spring-Retaining spring for core Stock No.12006
12724	Capacitor-120 Mmfd. (C26).....	12907	Spring-Tension spring for indicator drive gear Stock No. 30085-
14712	Capacitor-180 Mmfd. (C24).....	14342	Spring-Tension spring for idler stock No.14341
30433	Capacitor-470 Mmfd. (C7).....	14402	Switch-Range switch (S1,S2).....
12537	Capacitor-555 Mmfd. (C16).....	S-2094	Transformer-Audio transformer pack (T1,T2).....
30057	Capacitor-2800 Mmfd. (C13).....	14261	Transformer-First I.F. transformer (L11,L12,C20,C21).....
12897	Capacitor-4500 Mmfd. (C18).....	14283	Transformer-Second I.F. transformer (L13,L14,C22,C23,C24,R6,R8).....
3932	Capacitor-.0025 Mfd. (C25,C30,C33).....	S-1779	Tone control and "On" and "Off" switch.
30303	Capacitor-.0035 Mfd. (C27).....	14400	Volume Control.....
14393	Capacitor-.01 Mfd. (C17).....	REPRODUCER ASSEMBLIES	
5196	Capacitor-.035 Mfd. (C31).....	TABLE AND CONSOLE MODELS	
4839	Capacitor-0.1 Mfd. (C2,C8,C28,C29).....	S-2096	Cone-Reproducer cone and dust cap.....
12484	Capacitor-0.25 Mfd. (C9).....	S-2097	Reproducer-Reproducer complete.....
14403	Capacitor Pack-Comprising two sections each 8 Mfd. (C19,C32).....	REPLACEMENT PARTS PECULIAR TO MODELS 95 BT6 and 95 BC6	
12681	Cell-Bias cell.....	RECEIVER ASSEMBLIES	
14372	Coil-Antenna coil and shield (L1,L2,L3,L4).....	S-2177	Reactor-Filter reactor (L16).....
14373	Coil-Oscillator coil and shield (L5,L6,L7,L8,L9,L10).....	S-2178	Resistor-15 ohms, carbon type $\frac{1}{8}$ watt (R13).....
14397	Condenser-2 gang variable tuning condenser (C5,C6,C10,C11).....	S-2179	Resistor-47 ohms,carbon type, $\frac{1}{4}$ watt (R14).....
S-2064	Clip-Radiotron shield grounding clip	13220	Resistor-56 ohms,carbon type, $\frac{1}{4}$ watt (R15).....
12800	Core-Adjustable core and stud assembly for coil.....	S-2180	Resistor-2700 ohms,carbon type, 1 watt (R16).....
12006	Core-Adjustable core and stud for I.F. transformers.....	VIBRATOR ASSEMBLIES	
S-2092	Dial-Station selector dial scale.....	14320	Capacitor-330 Mmfd. (C40).....
11962	Fastener-Station selector dial scale fastener	11654	Capacitor-.01 Mfd. (C37,C38).....
14398	Drive-Variable condenser vernier drive pinion gear and shaft.....	4839	Capacitor-0.1 Mfd. (C36).....
14345	Drum-Variable condenser drive belt drum complete with set screws.....	12741	Capacitor-0.5 Mfd. (C39).....
3748	Fuse- $\frac{1}{2}$ ampere fuse.....	S-2175	Capacitor-8 Mfd. (C35).....
30085	Gear-Indicator drive gear and hub assembly and pointer stem and gear assembly.....	12179	Coil - "A" R.F. Choke Coil (L17).....
S-2095	Escutcheon-Station selector escutcheon and crystal.....	S-2176	Coil-- "B" R.F. Choke Coil (L18).....
14405	Holder-Bias cell holder (triple unit).	14419	Cushion-Rubber grommet.....
S-1838	Holder-Bias cell holder (single unit).	10907	Fuse-3 ampere fuse
6516	Holder-Fuse holder complete.....	8063	Resistor-330 ohms,carbon type, $\frac{1}{4}$ watt (R20).....
14341	Idler-Station selector drive belt idler.....	5031	Resistor-680 ohms,carbon type, $\frac{1}{4}$ watt (R18,R19).....
S-2093	Indicator-Station selector indicator pointer.....	4785	Socket-Vibrator socket.....
14359	Knob-Station Selector Knob.....	14311	Transformer-Vibrator Transformer.....
14269	Knob-Volume control,tone control or range switch-knob.....	14309	Vibrator-Vibrator inverter.....
12827	Plug-"B" battery male plug.....		
11341	Plug-"C" battery male plug.....		
14340	Pulley-Station selector drive belt pulley and knob shaft.....		
14410	Resistor-0.43 ohms,flexible resistor $\frac{1}{4}$ watt,complete with clip (R14).....		
12267	Resistor-1200 ohms,carbon type, $\frac{1}{4}$ watt (R3).....		
12312	Resistor-3300 ohms,carbon type, $\frac{1}{4}$ watt (R4).....		
13998	Resistor-22,000 ohms,insulated, $\frac{1}{4}$ watt (R5).....		
14284	Resistor-22,000 ohms,carbon type,1/10 watt (R6).....		

Models 96T, 96K, 97T1, 97K1, 97E, 97KG

A.C. Receivers



Alignment Procedure

Steps	Connect the high side of test-osc. to—	Tune test-osc. to—	Turn radio dial to—	Adjust the following for max. peak output
1	6K7 I.F. grid cap. in series with .01 mid.	465 kc	"A" band, Quiet Point	L12 and L13 (and I-F Trans.)
2	6K8 det. grid cap. in series with .01 mid.	465 kc	Point between 550-750 kc	L10 and L11 (1st I-F Trans.)
3	Antenna Terminal, in series with 400 ohms	20 mc	20 mc (23" "C" band	C21* (osc.) C30** (ant.)
4	Antenna Terminal, in series with 400 ohms	6.1 mc	6.1 mc (31" "B" band	C23 (osc.)†
5	Antenna Terminal, in series with 200 mmf.	1,500 kc	1,500 kc (28 1/2" "A" band	C26 (osc.)

REPLACEMENT PARTS FOR Models 96T, 96K, 97T1, 97K1, 97E, 97KG

Insist on genuine factory tested parts, which are readily identified and may be purchased from authorized dealers.

STOCK NO.	DESCRIPTION	STOCK NO.	DESCRIPTION
RECEIVER ASSEMBLIES			
14517	Board-Antenna-ground terminal board.	31368	Shaft-Station selector knob shaft and pulley.
30752	Bracket-Magic Eye Bracket and holder-(Models 97K-1,97T-1,97KG and 97E only).	31418	Spring-Indicator,or drum drive cord tension spring.
31400	Capacitor-Triple adjustable trimmer two sections 2-10 mmfd.,one section 3-30 mmfd.(C21,C23,C25).	31364	Socket-Dial lamp socket.
14079	Capacitor-6.8 mmfd.(C1).	31365	Socket-"Electric Tuning" indicator lamp insulated socket.
31387	Capacitor-Antenna trimmer capacitor bank 20-470 mmfd.(C31,C32,C33,C34,C35,C36).	13871	Socket-Magic Eye socket-(Models 97K-1,97T-1, 97KG and 97E only).
12948	Capacitor-33 mmfd. (C3).	14278	Socket-Pickup socket.
12720	Capacitor-100 mmfd.(C42).	31251	Socket-Radiotron socket.
30904	Capacitor-100 mmfd.(C5,C6,C7,C8).	31398	Switch-Range switch (S1,S2).
12724	Capacitor-120 mmfd.(C12).	31370	Switch-Station selector push-button switch (S4,S5,S31,S32,S33,S34,S35,S36,S37,S38,S39, S40,S41,S42,S43,S44,S45).
13003	Capacitor-180 mmfd.(C37).	30957	Transformer-First i.f.transformer(L10,L11,C5,C6)
30433	Capacitor-470 mmfd.(C2).	30903	Transformer-Second i.f.transformer(L12,L13,C7,C8)
31381	Capacitor-620 mmfd.(C24).	31445	Transformer-Power transformer 100-120 volts, 25-60 cycle (T1).
31435	Capacitor-750 mmfd.(C26).	31380	Transformer-Power transformer 100-120 volts, 50-60 cycle (T1).
31403	Capacitor-3,300 mmfd.(C22).	S-2153	Trap-Wave Trap.
31405	Capacitor-6,000 mmfd.(C27).	SPEAKER ASSEMBLIES-TABLE MODELS	
5107	Capacitor-.0025 mfd. (C13).	S-2044	Cap-Dust cap for reproducer cone.
4838	Capacitor-.005 mfd. (C14,C17).	S-2020	Cone-Reproducer cone.
14393	Capacitor-.01 mfd. (C10).	S-2187	Reproducer-complete.
4839	Capacitor-0.1 mfd. (C38,C39).	14355	Transformer-Output transformer.
11315	Capacitor-.015 mfd. (C11).	S-2019	Coil-Field Coil.
4886	Capacitor-.05 mfd. (C9).	SPEAKER ASSEMBLIES-CONSOLE MODELS	
31371	Capacitor-Comprising two 10 mfd.,one 20 mfd., and one 5 mfd.sections (C16,C18,C19,C41).	13866	Cap-Dust cap for cone center.
31382	Clip-Oscillator coil and core mounting clip-	12012	Coil-Field coil (L16).
31402	Coil-Antenna coil-A,B,and C bands (L1,L2,L3).	11469	Coil-Hum Neutralizing coil (L15).
31401	Coil-Oscillator coil-A,B,and C bands(L4,L5,L6, L7,L8,L9).	31275	Cone-Speaker cone and voice coil (L14).
31383	Coil-Oscillator coil-A Band (L41,L42).	31302	Plug-4-contact male plug.
31384	Coil-Oscillator coil-A Band (L39,L40).	31592	Speaker-Speaker complete.
31385	Coil-Oscillator coil-A Band (L37,L38).	14358	Screw-Screw,washer & lockwasher to hold core in yoke-
31369	Condenser-2 gang variable tuning condenser (C28,C29,C30).	31301	Transformer-Output transformer (T2).
31366	Control-Volume control,tone control,and on-off switch (R6,R13,S3).	14357	Washer-Spring washer to hold field coil-
31375	Cord-Indicator pointer drive cord (Models 97K, 97T,97KG only).	SPEAKER ASSEMBLIES MODEL 97E-Speaker RL63H-5	
S-2197	Cord-Indicator pointer drive cord (Models 97E only).	14356	Board-3contact speaker terminal board.
31374	Cord-Variable condenser drum drive cord.	13866	Cap-Cone center dust cap.
30905	Core-Adjustable core and stud for i.f.trans-former.	12012	Coil-Field coil (L16).
31386	Core-Adjustable core and stud for oscillator coil.	11469	Coil-Hum neutralizing coil (L15).
31372	Drum-Variable condenser drive cord drum and calibrator dial.	31310	Cone-Speaker cone and voice coil (L14).
31480	Lamp-Dial lamp.	31302	Plug-4 contact male plug for speaker.
5040	Plug-4-contact female plug for speaker cable.	14358	Screw-Screw,washer and lockwasher to hold core in yoke.
31373	Pulley-Indicator drive cord pulley.	31453	Speaker-complete.
S-1967	Pulley-Pulley for tuning indicator cable located at top of dial bracket.	14355	Transformer-Output transformer (T2).
14671	Resistor-33 ohms-1/4 watt (R11).	14357	Washer-Spring washer to hold field coil.
31388	Resistor-39C ohms,1 watt (R12).	MISCELLANEOUS ASSEMBLIES	
31389	Resistor-12,000 ohms,wire wound 5 watts(R14).	31397	Button-Station push button.
30151	Resistor-18,000 ohms,1watt (R17).	31456	Cover-Protective covers for push button markers.
14284	Resistor-22,000 ohms,1/10 watt (R4).	31406	Dial-Station selector dial scale.
12738	Resistor-27,000 ohms,1/4 watt (R7,R18).	31543	Disc-"Electric Tuning" indicator disc-Models 97K-1,97T-1,97KG and 97E only).
12454	Resistor-33,000 ohms,1/4 watt (R2).	31395	Escutcheon-Station selector escutcheon-less dial scale and push buttons.
14560	Resistor-100,000 ohms, 1/4 watt (R10).	31407	Escutcheon-"Magic Eye and Electric Tuning" indicator escutcheon-(Models 97K-1,97T-1, 97KG and 97E only).
12264	Resistor-220,000 ohms,1/4 watt (R5).	31392	Indicator-Station selector indicator pointer.
12199	Resistor-270,000 ohms,1/4 watt (R8).	31355	Knob-Range switch knob.
12285	Resistor-470,000 ohms,1/4 watt (R1,R9).	14359	Knob-Station selector knob.
12013	Resistor-1 meg.,1/10 watt (R16)-(Models 97K-1, 97T-1,97KG and 97E only).	31391	Knob-Tone control knob.
12679	Resistor-2.2 meg.,1/4 watt (R3).	30773	Knob-Volume control knob.
14343	Retainer-Retaining spring for station selector knob shaft.	S-2149	Marker-Station call letter markers for push button.
14887	Retainer-Drive cord pulley retainer.	31458	Marker-"Dial Tuning" marker for push button.
4669	Screw-No.8-32 square head set screw for drum Stock No.31372.	31457	Marker-"Victrola" marker for push button.
		31393	Screen-Station selector dial color screen and light diffuser.
		S-2051	Screw driver-aligning screw driver.
		31394	Stop-Indicator pointer slide stop.

REPLACEMENT PARTS PECULIAR TO MODELS 96T, 96K, 97T-1, 97K-1, 97KG

STOCK NO.	DESCRIPTION	STOCK NO.	DESCRIPTION
<u>Second Production Only</u>			
S-2232	Range Switch (S1,S2).	32493	Coil-Antenna Coil-A,B and C Bands,(L1,L2,L3,L4).
S-2233	Antenna Coil (L1,L2,L3).	31951	Coil-Oscillator coil-A,B and C Bands(L4,L5,L6, L7,L8,L9).
<u>Third Production Only</u>			
32485	Capacitor-comprising two 10 mfd.,one 20 mfd., and one 5 mfd.sections (C16,C18,C19,C41).	32494	Dial-Station selector dial scale.
		32491	Range Switch (S1,S2).
		30957	Transformer-First I.F. Transformer.
		30903	Transformer-Second I.F. Transformer.
		32553	Wave Trap (C43, L43) - 25 cycle models only.

ALIGNMENT PROCEDURE

Steps	Connect the high side of test-osc. to—	Tune test-osc. to—	Turn radio dial to—	Adjust the following for max. peak output
1	6K7 I-F grid cap, in series with .01 mfd.	455 kc	Quiet point between 550-750 kc	L7 and L8 (2nd I-F Trans.)
2	6A8-G grid cap, in series with .01 mfd.	455 kc		L5 and L6 (1st I-F Trans.)
3	Antenna lead (blue) in series with 200 mmf.	1,500 kc	1,500 kc calibration mark.	C6 (osc.)* C3 (ant.)

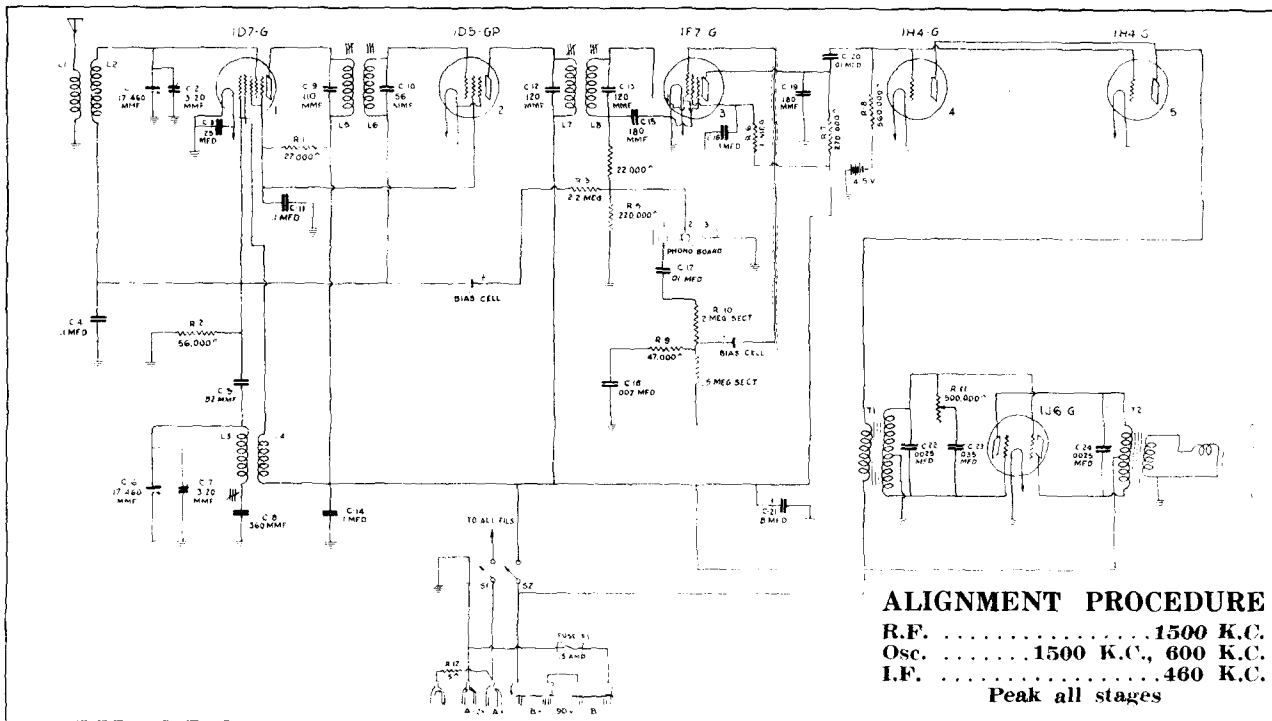
* The oscillator section of the gang condenser has two trimmers, one on top, accessible through a hole in the chassis, and the other on bottom. It may be necessary to adjust both of these trimmers to secure a peak on 1,500 kc.

REPLACEMENT PARTS for Model 96T1

Insist on genuine factory tested parts, which are readily identified and may be purchased from authorized dealers.

STOCK No.	DESCRIPTION	STOCK No.	DESCRIPTION
RECEIVER ASSEMBLIES			
31416	Capacitor-Oscillator coils trimmer capacitor bank (C20,C21,C22,C23,C24).....	31364	Socket-Dial lamp socket.....
12723	Capacitor-56 mmfd. (C4).....	31251	Socket-Radiotron socket.....
30904	Capacitor-100 mmfd.(C7,C8,C9,C10)..	31418	Spring-Indicator drive cord tension spring
13003	Capacitor-180 mmfd.(C12).....	31414	Switch-Push button station selector switch (S12,S13,S14,S15,S16,S17,S20,S21,S22,S23,S24,S25).....
12488	Capacitor-270 mmfd.(C32).....	30957	Transformer-First i-f transformer (L5,L6,C7,C8).....
31435	Capacitor-750 mmfd.(C25).....	30903	Transformer-Second i-f transformer (L7,L8,C9,C10).....
4838	Capacitor-.005 mfd.(C15,C26,C30)...	31574	Transformer-Power transformer 100-120 volts,25-60 cycle (T1)..
14393	Capacitor-.01 mfd.(C13,C14).....	31380	Transformer-Power transformer 100-120 volts,50-60 cycle (T1)..
4886	Capacitor-.05 mfd.(C11).....		SPEAKER ASSEMBLY (84326-1)
30899	Capacitor-0.1 mfd.(C1,C31).....	31476	Cone-Speaker cone and voice coil (L9).....
31424	Capacitor-Comprising 2 sections 8 mfd. each (C16,C17).....	S-2229	Coil-Field Coil,(L11).....
31382	Clip-Oscillator coil and core mounting clip	31475	Speaker-Complete.....
30894	Coil-Antenna coil (L1,L2).....	31477	Transformer-Output Transformer (T2).....
31098	Coil-Oscillator coil (L3,L4).....		MISCELLANEOUS ASSEMBLIES
31383	Coil-Oscillator coil (L15,L16).....	31428	Button-Station selector switch push button
31384	Coil-Oscillator coil (L14).....	31429	Dial-Station selector dial scale..
31415	Coil-Oscillator coil (L12,L13).....	31095	Discs-Celluloid protector discs for call letter markers.....
31422	Condenser-2-gang variable tuning condenser (C2,C3,C5,C6,C33).....	31667	Escutcheon-Dial escutcheon.....
31413	Control-Volume control,tone control and power switch (R5,R14,S1).....	30773	Knob-Volume control or tuning condenser large knob.....
30877	Cord-Indicator drive cord.....	S-2231	Knob-Tuning condenser small knob..
30905	Core-adjustable core and stud for i-f transformers.....	31391	Knob-Tone control and power switch knob.....
31386	Core-adjustable core and stud for oscillator.....	S-2230	Marker-Station call letter markers
31421	Drum-Variable condenser drive cord drum.....	14270	Spring-Retaining spring for knob Stock Nos. 30773
31420	Indicator-Station selector indicator pointer.....	30330	Spring-Retaining spring for knob Stock No. 31391
11891	Lamp-Dial lamp.....	S-2051	Screwdriver-Aligning screwdriver..
31419	Plate-Dial color plate.....		
31373	Pulley-Indicator drive cord pulley.		
31425	Resistor-Voltage divider comprising one 22 ohm,one 18,000 ohm, one 8,200 ohm,and one 3,900 ohm sections (R3,R11,R12,R15).....		
31388	Resistor-390 ohms, 1 watt (R9).....		
12738	Resistor-27,000 ohms, $\frac{1}{4}$ watt (R10)..		
12286	Resistor-56,000 ohms, $\frac{1}{4}$ watt (R2)..		
13734	Resistor-120,000 ohms, $\frac{1}{4}$ watt (R15)..		
12199	Resistor-270,000 ohms, $\frac{1}{4}$ watt (R7)..		
12679	Resistor-2.2 meg., $\frac{1}{4}$ watt (R4).....		
13601	Resistor-10 meg., $\frac{1}{4}$ watt (R6).....		
14887	Retainer-Pulley retainer		
14350	Screw-No.8-32 square head set screw for drum Stock No.31421		

Model 96BT Battery Receiver

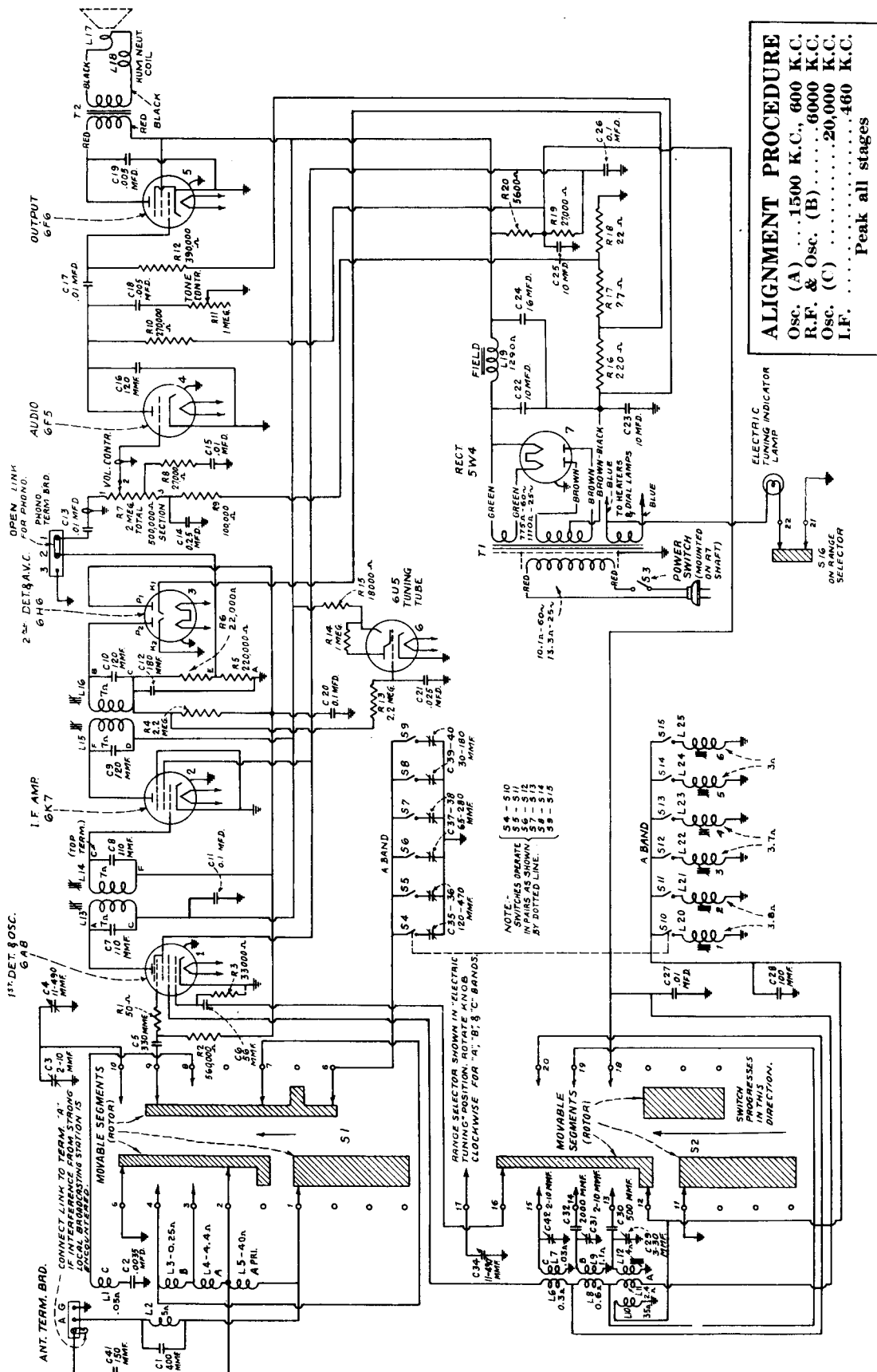


REPLACEMENT PARTS MODEL 96BT

Insist on genuine factory tested parts, which are readily identified and may be purchased from authorized dealers.

STOCK NO.	DESCRIPTION	STOCK NO.	DESCRIPTION
RECEIVER ASSEMBLIES			
12717	Board-Phonograph terminal board.....	S-1844	Knob-Tone control and operating switch knob -
S-2103	Cable-3 conductor battery cable approximately 60" long, complete with flexible resistor, fuse connector and two battery plugs.....	S-1862	Knob-Volume control or Tuning Shaft knobs -
12607	Cap-First I.F. transformer shield cap...	12827	Plug-"B" Battery cable plug.....
12581	Cap-Second I.F. transformer shield cap...	11341	Plug-"C" Battery plug.....
11350	Cap-Grid contact cap -	S-2115	Resistor-0.50 ohm flexible resistor complete with clip (R-12).....
13307	Capacitor-56 Mmfd. (C-10).....	14284	Resistor-22,000 ohms, carbon type, 1/10 watt (R-4).....
12813	Capacitor-82 Mmfd. (C-5).....	12738	Resistor-27,000 ohms, carbon type, 1/4 watt (R-1).....
14262	Capacitor-110 Mmfd. (C-9).....	23432	Resistor-47,000 ohms, carbon type, 1/4 watt (R-9).....
12404	Capacitor-120 Mmfd. (C-12, C-13).....	5029	Resistor-56,000 ohms, carbon type, 1/4 watt (R-2).....
14712	Capacitor-180 Mmfd. (C-15).....	11398	Resistor-220,000 ohms, carbon type, 1/10 watt (R-5).....
13003	Capacitor-180 Mmfd. (C-19).....	11323	Resistor-270,000 ohms, carbon type, 1/2 watt (R-7).....
13967	Capacitor-360 Mmfd. (C-8).....	5035	Resistor-560,000 ohms, carbon type, 1/4 watt (R-8).....
3932	Capacitor-.0025 Mfd. (C-22, C-24).....	13730	Resistor-1 Megohm, carbon type, 1/4 watt (R-6).....
5148	Capacitor-.007 Mfd. (C-18).....	11626	Resistor-2.2 Megohm, carbon type, 1/4 watt (R-3).....
14393	Capacitor-.01 Mfd. (C-17, C-20).....	14887	Retainer-Vernier Tuning shaft retainer-
5196	Capacitor-.035 Mfd. (C-23).....	S-2118	Shaft-Vernier Tuning Shaft.....
4839	Capacitor-0.1 Mfd. (C-4, C-11, C-14, C-16).....	11196	Socket-Radiotron socket.....
12484	Capacitor-0.25 Mfd. (C-3).....	S-2039	Shield-1D5GP, 1F7G or 1D7G radiotron shield.....
S-2028	Capacitor-8 Mfd. (C-21).....	S-2119	Spring-Tuning condenser drive cord spring -
12681	Cell-Bias cell.....	S-2112	Tone control and operating switch (R-11, S1, S2).....
S-2064	Clip-Radiotron shield grounding clip-	14261	Transformer-1st I.F. transformer (L5, L6, C-9, C-10).....
S-2029	Coil-Antenna coil (L1, L2).....	14283	Transformer-2nd I.F. transformer (L7, L8, C12, C13, C15, R-4, R5).....
S-2030	Coil-Oscillator coil (L3, L4).....	S-2113	Transformer-Audio transformer pack (T1, T2).....
S-2106	Condenser-2-gang variable tuning condenser (C1, C2, C6, C7).....	S-2114	Volume control (R-10).....
12006	Core-Adjustable core and stud for 1st or 2nd I.F. Transformer.....	REPRODUCER ASSEMBLIES	
S-2107	Cord-Tuning drive cord -	S-2044	Cap-Dust cap for reproducer cone-
S-2108	Dial Station selector dial scale assembly.....	S-2020	Cone-Reproducer cone.....
S-2120	Drum-Tuning condenser drum.....	S-2045	Reproducer-Reproducer complete.....
S-2104	Escutcheon-Station selector escutcheon and crystal.....		
11982	Fastener-Station selector dial scale fastener		
3748	Fuse - 1/2 ampere fuse.....		
6516	Fuse connector complete.....		
S-2110	Indicator-Station selector indicator pointer.....		
S-1838	Holder-Bias cell holder.....		

Models 97K & 97T A.C. Receivers



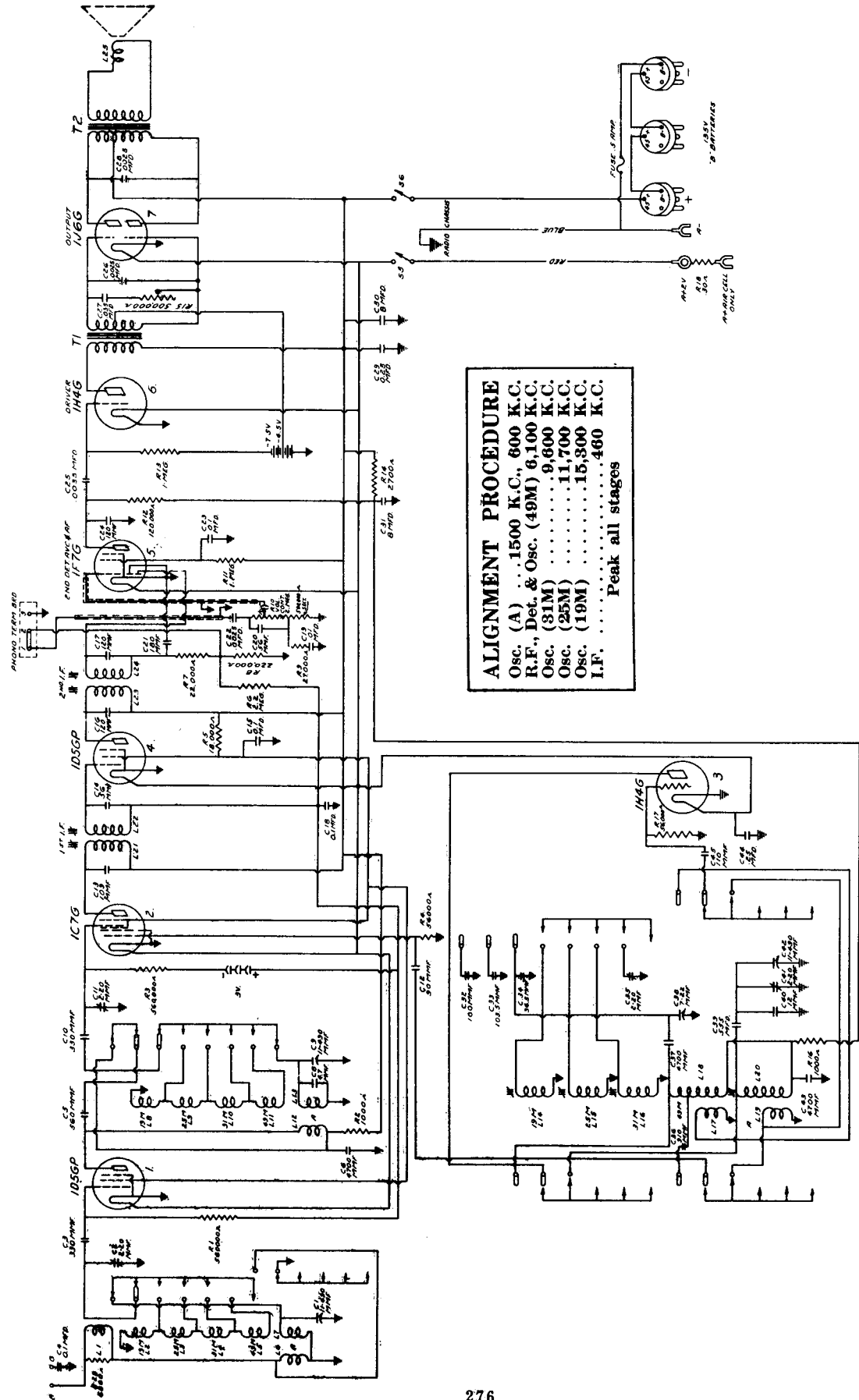
ALIGNMENT PROCEDURE
 Osc. (A) ...1500 K.C., 600 K.C.
 R.F. & Osc. (B) ...6000 K.C.
 Osc. (C) ...20,000 K.C.
 I.F.460 K.C.
 Peak all stages

REPLACEMENT PARTS (Models 97K-97T)

Insist on genuine factory tested parts, which are readily identified and may be purchased from authorized dealers.

STOCK No.	DESCRIPTION	STOCK No.	DESCRIPTION
RECEIVER ASSEMBLIES			
30755	Arm-Band indicator operating arm-fastens on range switch shaft.....	11398	Resistor-220,000 ohms, carbon type, 1/10 watt (R5).....
14384	Belt-Drive Belt.....	11323	Resistor-270,000 ohms, carbon type, 1/2 watt (R10).....
14623	Board-Antenna and ground terminal board.....	13005	Resistor-390,000 ohms, carbon type, 1/10 watt (R12).....
12717	Board-Phonograph terminal board.....	11397	Resistor-560,000 ohms, carbon type, 1/10 watt (R2).....
30752	Bracket-Tuning tube mounting bracket and clip.....	12013	Resistor-1 Megohm, carbon type, 1/10 watt (R14).....
30754	Cable-Band indicator operating cable.....	12679	Resistor-2.2 Megohm, insulated, 1/2 watt (R4, R13).....
11350	Cap-Grid contact cap.....	30760	Shaft-Tuning knob shaft and pulley.....
30766	Cap-Rubber cap for tuning tube.....	5119	Socket-3-contact socket for speaker cable.....
30751	Capacitor-Trimmer-Comprising two sections each 2-10 Mmfd. and one section 3-30 Mmfd. (C29, C31, C42).....	13871	Socket-6-contact tuning tube socket.....
30750	Capacitor-Dual trimmer, 30-180 Mmfd. each section (C39, C40).....	11196	Socket-8-contact Radiotron socket.....
12723	Capacitor-56 Mmfd. (C6).....	14114	Socket-Dial lamp socket-open type.....
30764	Capacitor-Dual trimmer, 65-280 Mmfd. each section (C37, C38).....	14171	Socket-Dial lamp socket-shell type.....
30769	Capacitor-100 Mmfd. (C28).....	30756	Spring-Band indicator tension spring,.....
14262	Capacitor-110 Mmfd. (C7, C8).....	14342	Spring-Idler pulley tension spring,.....
12404	Capacitor-120 Mmfd. (C9, C10).....	30585	Spring-Indicator cord tension spring,.....
12724	Capacitor-120 Mmfd. (C16).....	30742	Switch-Range switch (S1, S2, S16).....
30765	Capacitor-Dual trimmer, 120-470 Mmfd. each section (C35, C36).....	30744	Switch-Tuning push button switch (S4, S5, S6, S7, S8, S9, S10, S11, S12, S13, S14, S15).....
12725	Capacitor-150 Mmfd. (C41).....	14376	Transformer-First I.F. transformer (L13, L14, C7, C8).....
12406	Capacitor-180 Mmfd. (C12).....	14283	Transformer-Second I.F. transformer (L15, L16, C9, C10, C12, R5, R6).....
12952	Capacitor-330 Mmfd. (C5).....	30607	Transformer-Power transformer 105-125 volts, 60 cycle (T1).....
30768	Capacitor-500 Mmfd. (C30).....	30571	Transformer-Power transformer 105-125 volts, 25 cycle (T1).....
30767	Capacitor-2,000 Mmfd. (C32).....	13838	Trap-Wave trap (L2, C1).....
30303	Capacitor-.0035 Mfd. (C2).....	REPRODUCER ASSEMBLIES (TABLE)	
4838	Capacitor-.005 Mfd. (C18, C19).....	S-2021	Cap-Dust cap for cone center-
14393	Capacitor-.01 Mfd. (C13, C15, C17, C27).....	S-2019	Coil-Field coil for speaker marked 101069-501
4870	Capacitor-.025 Mfd. (C21).....	13677	Cone-Reproducer cone and dust cap (for speaker marked 84091-1 (L14).....
4839	Capacitor-0.1 Mfd. (C11, C21, C26).....	S-2020	Cone-Reproducer cone and dust cap (for speaker marked 101069-501 (L14).....
12484	Capacitor-0.25 Mfd. (C14).....	14613	Reproducer complete.....
11203	Capacitor-10 Mfd. (C25).....	14615	Transformer-Output transformer (for speaker marked 84091-1.....
30577	Capacitor-Comprising two sections each 10 Mfd. (C22, C23).....	14355	Transformer-Output transformer (for speaker marked 101069-501.....
5212	Capacitor-16 Mfd. (C24).....	REPRODUCER ASSEMBLIES (CONSOLE)	
30745	Coil-Antenna coil and shield A, B, and C bands (L1, L3, L4, L5).....	13866	Cap-Dust cap for cone center-
30747	Coil-Oscillator coil A band (L20 or L21).....	14354	Coil-Field coil (L-20).....
30748	Coil-Oscillator coil A band (L22 or L23).....	11469	Coil-Hum neutralizing coil (L-19).....
30749	Coil-Oscillator coil A band (L24 or L25).....	12667	Cone-Reproducer cone and dust cap (L-18).....
30746	Coil-Oscillator coil A, B, C bands (L6, L7, L8, L9, L10, L11, L12).....	5118	Connector-3-contact male plug for reproducer.....
50740	Condenser-2-gang variable tuning condenser (C3, C4, C34).....	14395	Reproducer-Reproducer complete.....
30743	Control-Volume control, tone control, and power switch in one unit (R7, R11, S3).....	14355	Transformer-Output transformer (T-2).....
30763	Cord-Indicator drive cord.....	14357	Washer-Spring washer to hold field coil-
30759	Dial-Station selector dial scale.....	MISCELLANEOUS ASSEMBLIES	
30753	Disc-Band indicator disc with colored segment.....	30778	Button-Automatic station selector push button-
30741	Drive-Variable condenser vernier drive shaft and pinion gear.....	S-1977	Card-Call letter cards for station selector.....
30587	Drum-Drive belt drum-fastens on variable condenser vernier drive shaft.....	30780	Cushion-Rubber cushion for automatic station selector button-
30761	Drum-Indicator cord drum-fastens on variable condenser rotor shaft.....	30774	Escutcheon-Station selector escutcheon complete with side panels and buttons....
14341	Idler-Drive idler pulley, bracket and spring.....	30775	Escutcheon-Station selector escutcheon center section only-less side panels and buttons.....
30762	Indicator-Indicator pointer and slider.....	30776	Escutcheon-Station selector escutcheon right and left-hand sections only.....
5226	Lamp-Dial lamp.....	S-1962	Knob-Volume control.....
30757	Pulley-Large size pulley for indicator cord-located at top left corner of dial bracket.....	14269	Knob-Range switch knob.....
30758	Pulley-Medium size pulley for indicator cord-located at top right side of dial bracket.....	14359	Knob-Station selector knob.....
14697	Pulley-Small size pulley for indicator cord-located at top right hand corner of dial bracket.....	30772	Knob-Tone control and power switch knob.....
14525	Resistor-22 ohms, carbon type, 1/2 watt (R18).....	11210	Screw-Chassis mounting screw and washer assembly-
11955	Resistor-27 ohms, carbon type, 1/2 watt (R17).....	30779	Shield-Celluloid shield for call letter cards-
30771	Resistor-50 ohms, flexible type, 2 1/2 watts (R1).....	30777	Shield-Finished metal shield and screws for automatic station selector button panel.....
16293	Resistor-220 ohms, carbon type, 1 watt (R16).....	30330	Spring-Retaining spring for knob stock #30772-
11298	Resistor-5,600 ohms, carbon type, 1 watt (R20).....	14270	Spring-Retaining spring for knobs stock #S-1962 and 14269 -
14078	Resistor-18,000 ohms, insulated, 1 watt (R15).....	4982	Spring-Retaining spring for knob stock #14359-
14284	Resistor-22,000 ohms, carbon type, 1/10 watt (R6).....		
12011	Resistor-27,000 ohms, carbon type, 1 watt (R19).....		
11400	Resistor-27,000 ohms, carbon type, 1/2 watt (R8).....		
13735	Resistor-33,000 ohms, carbon type, 1/2 watt (R3).....		
14560	Resistor-100,000 ohms, insulated, 1/2 watt (R9).....		

Model 97BK Battery Receiver



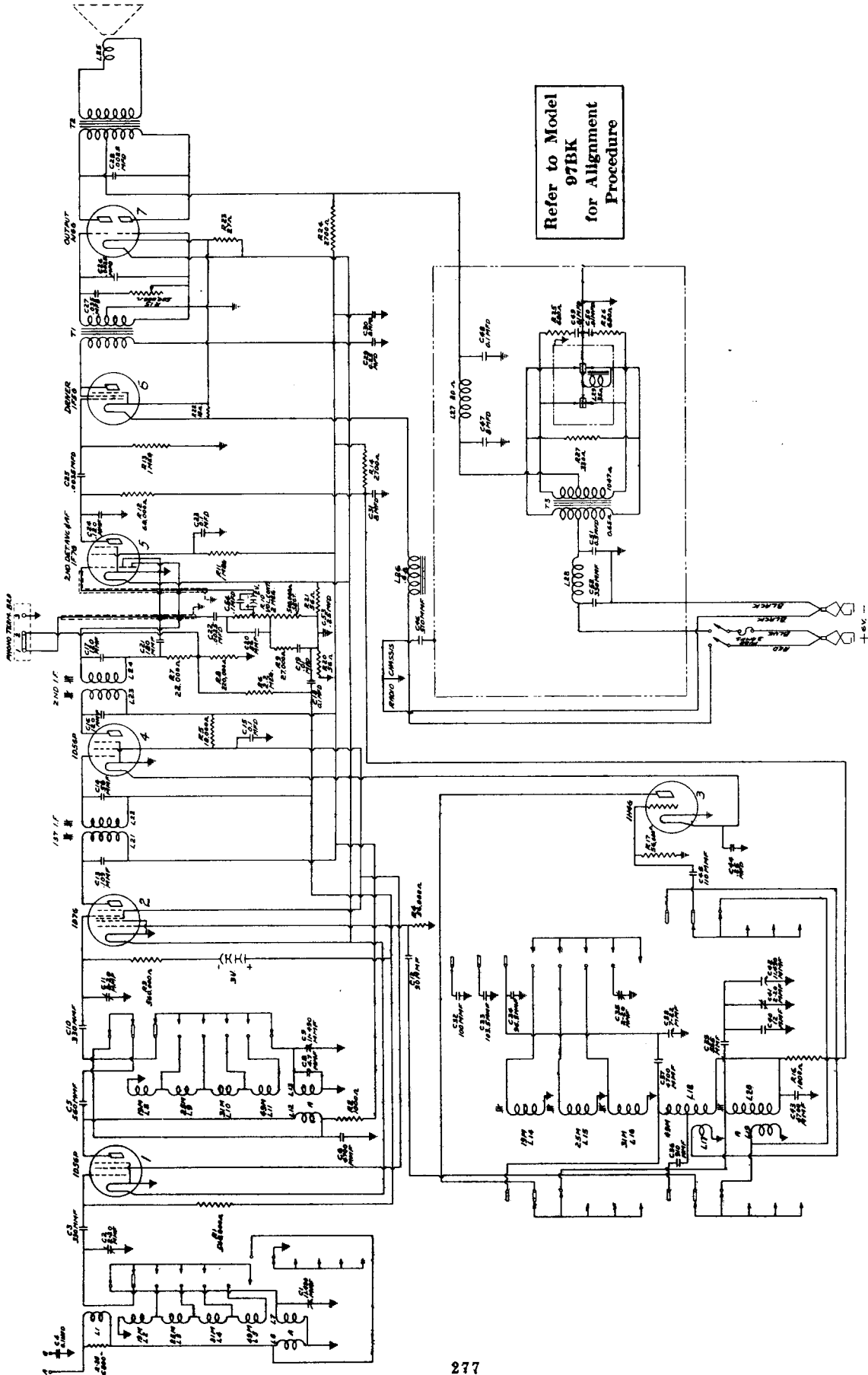
ALIGNMENT PROCEDURE

Osc. (A) . . . 1500 K.C., 600 K.C.
 R.F., Det. & Osc. (49M) 6,100 K.C.
 Osc. (31M) 9,600 K.C.
 Osc. (25M) 11,700 K.C.
 Osc. (19M) 15,300 K.C.
 I.F. 460 K.C.

Peak all stages

Schematic Circuit Diagram Model 97BK

Model 97BK-6 Battery Receiver



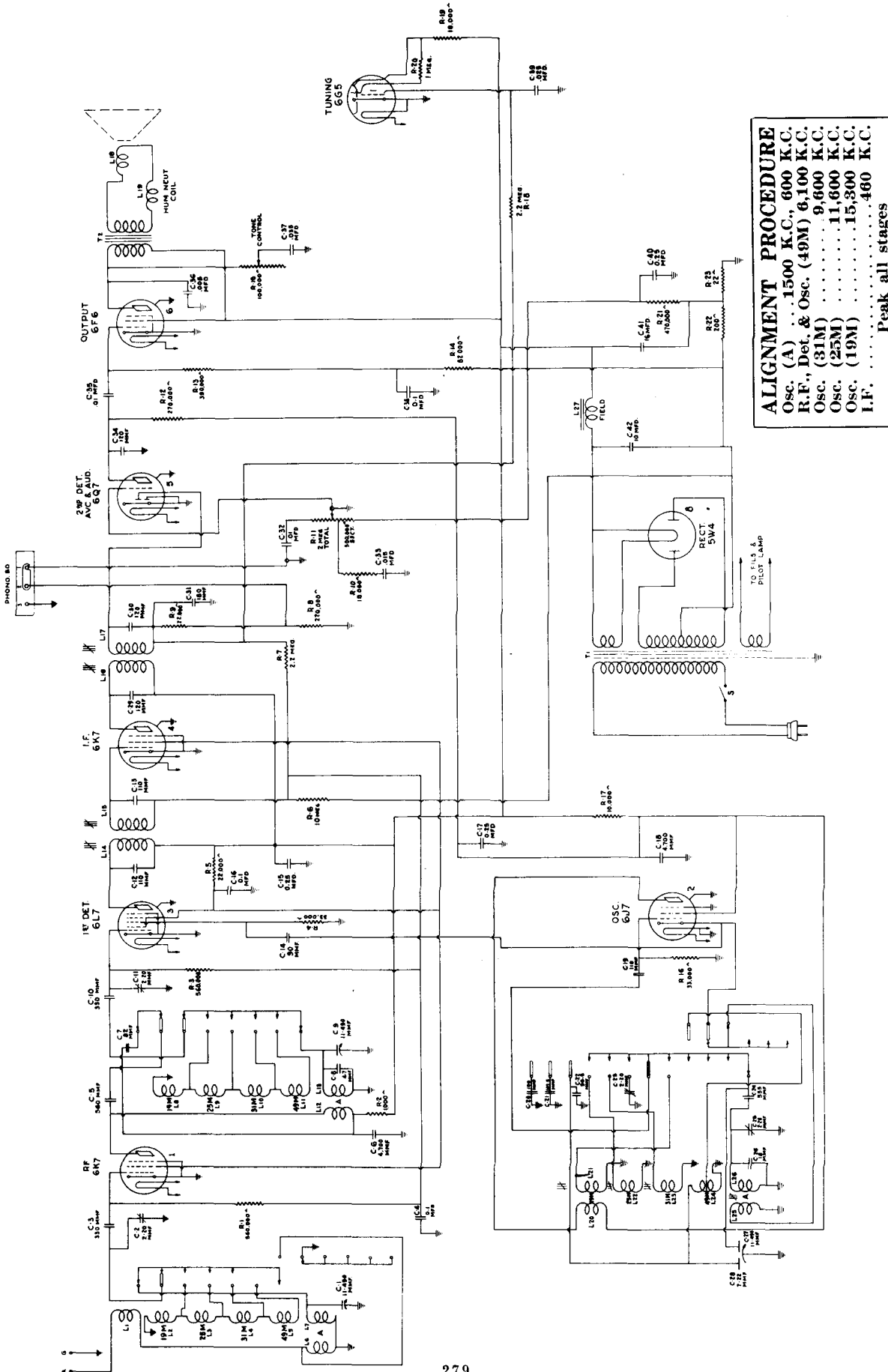
Schematic Circuit Diagram (Model 97BK6)

REPLACEMENT PARTS MODELS 97BK and 97BK6

Insist on genuine factory tested parts, which are readily identified and may be purchased from authorized dealers.

STOCK No.	DESCRIPTION	STOCK No.	DESCRIPTION
RECEIVER ASSEMBLIES			
13216	Board-Antenna and ground terminal board	14720	Resistor-1000 ohms, carbon type, $\frac{1}{4}$ watt (R2, R16).....
12717	Board-Phonograph terminal board.....	5144	Resistor-2700 ohms, carbon type, $\frac{1}{4}$ watt (R14)
S-2007	Bushing-Variable condenser mounting assembly.....	S-2133	Resistor-18,000 ohms, carbon type, $\frac{1}{2}$ watt (R5).....
14699	Cable-Indicator drive cord -	14284	Resistor-22,000 ohms, carbon type, 1/10 watt (R7).....
S-2213	Cable-Battery Cable complete, with fuse, fuse holder and three battery connectors.....	S-2134	Resistor-27,000 ohms, insulated type, $\frac{1}{4}$ watt (R9).....
30314	Cap-Grid contact cap -	5029	Resistor-56,000 ohms, carbon type, $\frac{1}{4}$ watt (R17).....
12607	Cap-First I.F. Transformer shield top..	12286	Resistor-56,000 ohms, insulated type, $\frac{1}{4}$ watt (R4).....
12581	Cap-Second I.F. Transformer shield top..	S-2135	Resistor-120,000 ohms, carbon type, $\frac{1}{4}$ watt (R12).....
12884	Capacitor-Adjustable trimmer (C2, C11, C35, C41).....	11398	Resistor-220,000 ohms, carbon type, 1/10 watt (R8).....
14392	Capacitor-4.7 Mmfd. (C8).....	11397	Resistor-560,000 ohms, carbon type, 1/10 watt (R1, R3).....
13002	Capacitor-12 Mmfd. (C40).....	12200	Resistor-1 Megohm, insulated type, $\frac{1}{4}$ watt (R13, R11).....
13307	Capacitor-56 Mmfd. (C14).....	S-1536	Resistor-2.2 Megohm, carbon type, $\frac{1}{4}$ watt (R6).....
12723	Capacitor-56 Mmfd. (C20).....	S-2023	Retainer-Indicator drive cord pulley retainer -
12813	Capacitor-82 Mmfd. (C7).....	S-2131	Screw-Escutcheon mounting screw -
14910	Capacitor-90 Mmfd. (C12).....	11377	Screw-#6-32 x 3/8 machine screw for station selector indicator pointer
14908	Capacitor-96.5 Mmfd. (C34).....	S-2039	Shield-Radiotron shield.....
14906	Capacitor-100 Mmfd. (C32).....	11196	Socket-Radiotron socket.....
14907	Capacitor-103.5 Mmfd. (C33).....	13638	Spring-Indicator drive cord tension spring
14909	Capacitor-110 Mmfd. (C45).....	12007	Spring-Retaining spring for core Stock #12006
14262	Capacitor-109 Mmfd. (C13).....	S-2136	Switch-Range switch.....
12404	Capacitor-120 Mmfd. (C16, C17).....	S-2138	Tone control and "ON" and "OFF" switch (R15, S5, S6).....
12724	Capacitor-120 Mmfd. (C24).....	S-2139	Transformer-Audio transformer pack (T1, T2)
14712	Capacitor-180 Mmfd. (C21).....	14261	Transformer-First I.F. Transformer (L21, L22, C13, C14).....
12952	Capacitor-330 Mmfd. (C3, C10).....	14283	Transformer-Second I.F. Transformer (L23, L24, C16, C17, C21, R7, R8).....
12727	Capacitor-555 Mmfd. (C39).....	S-1996	Volume control (R10).....
12537	Capacitor-560 Mmfd. (C5).....	REPRODUCER ASSEMBLIES (100640-501)	
S-2053	Capacitor-910 Mmfd. (C36).....	S-2044	Cap-Dust cap for reproducer cone-
12897	Capacitor-4700 Mmfd. (C6, C37, C43).....	S-2125	Cone-Reproducer cone (L25).....
3932	Capacitor-.0025 Mfd. (C22, C26, C28).....	S-2126	Reproducer-Reproducer complete.....
30303	Capacitor-.0035 Mfd. (C25).....	REPLACEMENT PARTS PECULIAR TO MODELS 97BK6 (only)	
14393	Capacitor-.01 Mfd. (C19).....	S-2214	Cable-Battery cable complete.....
5196	Capacitor-.035 Mfd. (C27).....	S-2220	Holder-Bias cell holder (double).....
4839	Capacitor-0.1 Mfd. (C15, C23, C18, C4).....	S-2218	Resistor-10 ohms, 1 watt (R22).....
12484	Capacitor-0.25 Mfd. (C29, C44).....	S-2217	Resistor-27 ohms, $\frac{1}{2}$ watt (R23).....
14403	Capacitor Pack comprising two sections each 8 Mfd. (C30, C31).....	S-2216	Resistor-56 ohms, $\frac{1}{4}$ watt (R20, R21).....
12681	Cell-Bias cell.....	S-2219	Resistor-2700 ohms, 1 watt (R24).....
S-2064	Clip-Radiotron shield grounding clip-Pkg. of 10.....	13715	Resistor-6,800 ohms, $\frac{1}{4}$ watt (R12).....
S-1985	Coil-"A" band antenna coil (L6, L7).....	S-2177	Reactor-Filter reactor (L26).....
S-1986	Coil-Special band spread antenna coil (L1, L2, L3, L4, L5).....	VIBRATOR ASSEMBLIES	
S-1987	Coil-"A" band detector coil (L12, L13).....	14320	Capacitor-330 Mmfd. (C52).....
S-1988	Coil-Special band spread detector coil (L8, L9, L10, L11).....	11654	Capacitor-.01 Mfd. (C50, C49).....
S-2121	Coil-"A" band oscillator coil (L25, L26).....	4839	Capacitor-0.1 Mfd. (C48).....
S-2122	Coil-19 meter band oscillator coil (L20, L21).....	12741	Capacitor-0.5 Mfd. (C51).....
S-1991	Coil-25 meter band oscillator coil (L22).....	S-2175	Capacitor-8 Mfd. (C47).....
S-1992	Coil-31 meter band oscillator coil (L23).....	10907	Fuse-3 ampere fuse
S-2123	Coil-49 meter band oscillator coil (L24).....	12179	Coil-"A" R.F. choke coil (L28).....
S-1994	Condenser-3 gang variable tuning condenser (C1, C9, C38, C42).....	S-2176	Coil-"B" R.F. choke coil (L27).....
6516	Connector-Fuse connector complete.....	8063	Resistor-330 ohms - $\frac{1}{2}$ watt (R27).....
12006	Core-Adjustable core and stud for Stock No. 14261 and Stock No. 14283.....	5031	Resistor-680 ohms - $\frac{1}{4}$ watt (R25, R26).....
S-2000	Core-Coil inductance assembly.....	4785	Socket-Vibrator socket.....
S-2140	Dial-Station selector dial scale.....	14311	Transformer-Vibrator transformer (F3).....
S-2009	Drive-Variable condenser vernier drive pinion gear and shaft.....	14309	Vibrator-Vibrator inverter.....
14698	Drum-Variable condenser drive cord drum		
S-2142	Escutcheon-Station selector escutcheon and crystal complete.....		
3748	Fuse- $\frac{1}{2}$ ampere fuse.....		
S-2129	Holder-Bias cell holder (single).....		
14405	Holder-Bias cell holder (triple).....		
S-2124	Indicator-Station selector indicator pointer.....		
S-2033	Knob-Station selector Knob.....		
14688	Knob-Range switch knob.....		
14269	Knob-Volume control or tone control knob		
14028	Nut-Jamb nut for trimmer Stock No. 12884.....		
12471	Plate-LH4G socket mounting plate assembly for cushion socket-less socket		
12827	Plug-"B" Battery cable plug.....		
11341	Plug-"C" Battery cable plug.....		
14697	Pulley-Indicator drive cord pulley located on right or left hand dial bracket.....		

Model 98KS A.C. Receiver



ALIGNMENT PROCEDURE

Osc. (A)	1500 K.C., 600 K.C.
R.F., Det. & Osc. (49M)	6,100 K.C.
Osc. (31M)	9,600 K.C.
Osc. (25M)	11,600 K.C.
Osc. (19M)	15,300 K.C.
I.F.	460 K.C.

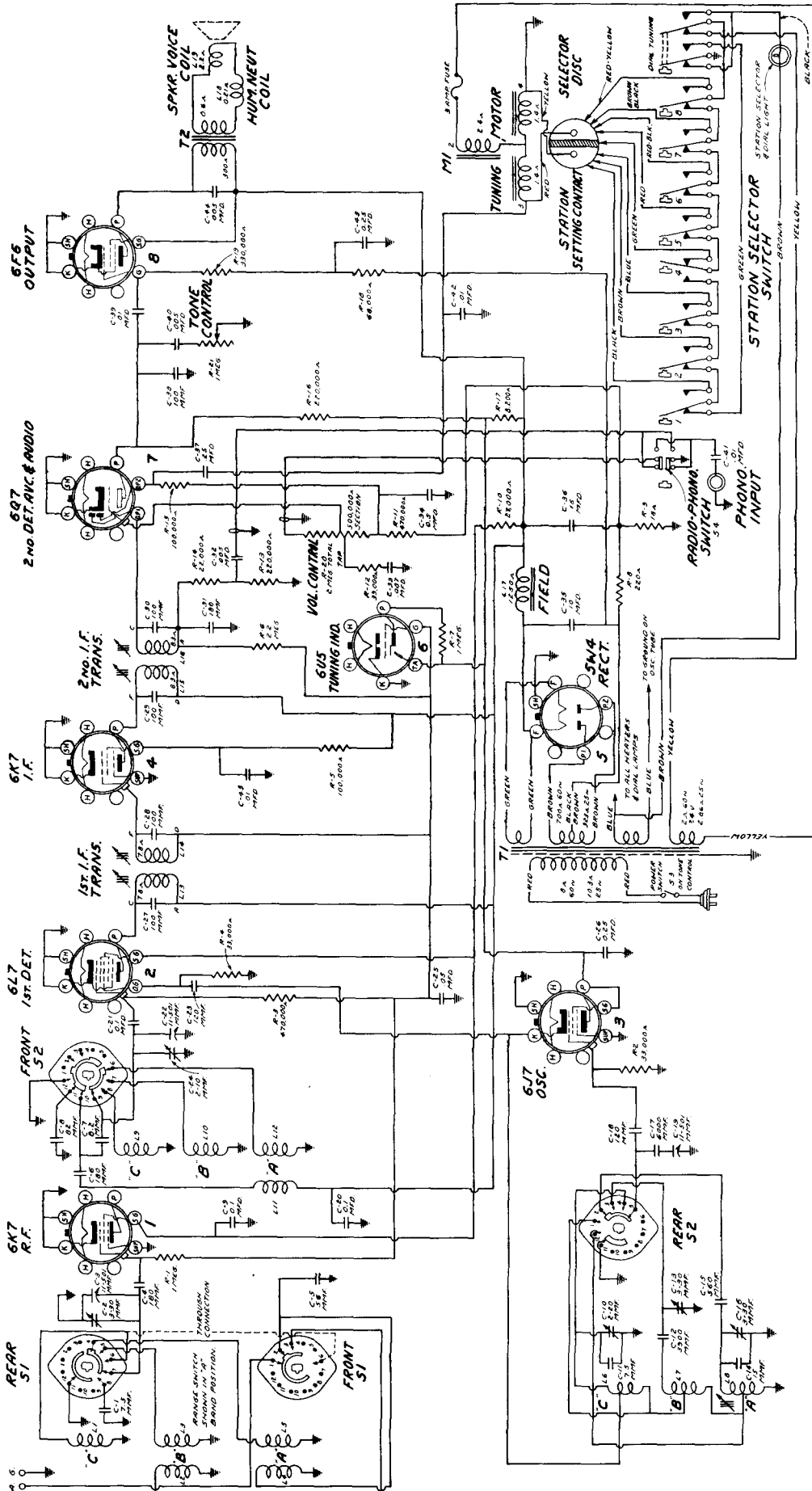
Peak all stages

REPLACEMENT PARTS MODEL 98KS

Insist on genuine factory tested parts, which are readily identified and may be purchased from authorized dealers.

STOCK NO.	DESCRIPTION	STOCK NO.	DESCRIPTION
RECEIVER ASSEMBLIES		RECEIVER ASSEMBLIES (Continued)	
12038	Band-Rubber band for tuning tube-	13735	Resistor-33,000 ohms,carbon type, $\frac{1}{4}$ watt (R-4,R-16).....
14517	Board-Antenna and ground terminal board..	14023	Resistor-82,000 ohms,carbon type, $\frac{1}{4}$ watt (R-14).....
12717	Board-Phonograph terminal board.....	11398	Resistor-220,000 ohms,carbon type, 1/10 watt (R-8).....
S-2007	Bushing-Variable condenser mounting bushing assembly.....	12199	Resistor-270,000 ohms,carbon type, $\frac{1}{4}$ watt (R-12).....
S-2006	Cable-Tuning tube cable and socket.....	13005	Resistor-390,000 ohms,carbon type,1/10 watt (R-13).....
12607	Cap-First I.F.transformer shield cap.....	12285	Resistor-470,000 ohms,carbon type, $\frac{1}{4}$ watt (R-21).....
12581	Cap-Second I.F.transformer shield cap....	11397	Resistor-560,000 ohms,carbon type,1/10 watt (R-1,R-3).....
11350	Cap-Grid contact cap-	12013	Resistor-1 Megohm, carbon type, 1/10 watt (R-20).....
12884	Capacitor-Adjustable trimmer (C-2,C-11,C-25)	12679	Resistor-2.2 Meg., carbon type, $\frac{1}{4}$ watt (R-7,R-18).....
14392	Capacitor - 4.7 Mmfd. (C-8).....	13601	Resistor - 10 Meg.,carbon type, $\frac{1}{4}$ watt (R-6).....
12722	Capacitor - 18 Mmfd. (C-26).....	S-2023	Retainer-Indicator drive cord pulley retainer -
12813	Capacitor - 82 Mmfd. (C-7).....	14114	Socket-Dial lamp socket.....
14910	Capacitor - 90 Mmfd. (C-14).....	11195	Socket-5-contact SW4 Radiotron socket....
14908	Capacitor - 96.5 Mmfd. (C-22).....	11196	Socket-8-contact 6K7,6L7,6Q7,6P6 or 6J7 radiotron socket.....
14906	Capacitor - 100 Mmfd. (C-20).....	13638	Spring-Drive cord tension spring-
14907	Capacitor - 103.5 Mmfd. (C-21).....	12007	Spring-Retaining spring for core stock #12006,
14909	Capacitor - 110 Mmfd. (C-19).....	S-2005	Switch-Range switch.....
14262	Capacitor - 110 Mmfd. (C-12,C-13).....	S-1995	Tone control-Tone control and power switch (R-15).....
12724	Capacitor - 120 Mmfd. (C-34).....	14511	Transformer-Power transformer 105-125 volts - 60 cycle (T-1).....
12404	Capacitor - 120 Mmfd. (C-29,C-30).....	14512	Transformer-Power transformer 105-125 volts - 25 cycle (T-1).....
14712	Capacitor - 180 Mmfd. (C-31).....	14376	Transformer-First I.F.transformer (L-14, L-15,C-12,C-13).....
12952	Capacitor - 330 Mmfd. (C-3,C-10).....	14293	Transformer-Second I.F.transformer (L-16, L-17,C-29,C-30,C-31,R-8,R-9).....
12537	Capacitor - 560 Mmfd. (C-5,C-24).....	S-1996	Volume Control (R-11).....
12897	Capacitor - 4700 Mmfd. (C-6,C-18).....		
4838	Capacitor - .005 Mfd. (C-36).....	REPRODUCER ASSEMBLIES (RL-70E-1)	
13138	Capacitor - .01 Mfd. (C-32,C-35).....	13866	Cap-Dust cap for cone center-
11315	Capacitor - .015 Mfd. (C-33).....	14354	Coil-Field coil (L-20).....
4870	Capacitor - .025 Mfd. (C-39).....	11469	Coil-Hum neutralizing coil (L-19).....
12670	Capacitor - .035 Mfd. (C-37).....	12667	Cone-Reproducer cone and dust cap (L-18)
4839	Capacitor - 0.1 Mfd. (C-4,C-16)(C-38).....	5118	Connector-3-contact male plug for reproducer.....
S-1592	Capacitor - 0.25 Mfd. (C-17,C-40).....	14395	Reproducer - Reproducer complete.....
12484	Capacitor - 0.25 Mfd. (G-15).....	14355	Transformer - Output transformer (T-2)...
11240	Capacitor - 10 Mfd. (C-42).....	14357	Washer-Spring washer to hold field coil-
5212	Capacitor - 16 Mfd. (C-41).....		
S-1985	Coil - "A" band antenna coil (L-6,L-7)...		
S-1986	Coil - Special band spread antenna coil (L-1,L-2,L-3,L-4,L-5).....		
S-1987	Coil - "A"band detector coil (L-12,L-13).....		
S-1988	Coil - Special band spread detector coil (L-8,L-9,L-10,L-11).....		
S-1989	Coil-"A" band oscillator coil(L-25,L-26).....		
S-1990	Coil-19 meter band oscillator coil (L-20, L-21).....		
S-1991	Coil-25 meter band oscillator coil(L-22).....		
S-1992	Coil-31 meter band oscillator coil(L-23).....		
S-1993	Coil-49 meter band oscillator coil(L-24).....		
S-1994	Condenser-3-gang variable tuning condenser (C-1,C-27,C-28,C-9).....		
5119	Connector-3-contact female connector for speaker cable.....		
14699	Cord-Indicator pointer drive cord-		
12006	Core-Adjustable core and stud for stock #14376 and stock #14283.....		
S-2000	Core-Coil inductance adjustment assembly.		
S-2022	Cushion-Brown dial cushion.....		
S-2008	Dial-Station selector dial scale.....		
S-2009	Drive-Variable condenser vernier drive pinion gear and shaft.....		
14698	Drum-Drum for indicator drive cord,fastens on tuning condenser shaft.....		
S-2004	Indicator-Station selector indicator pointer and support.....		
5226	Lamp-Dial lamp-		
14028	Nut-Jamb nut for trimmer stock #12884 -		
12471	Plate-6J7 socket mounting plate assembly for cushion socket-less socket.....		
14697	Pulley-Indicator drive cord pulley located on right or left hand dial bracket.		
14525	Resistor-22 ohms,carbon type, $\frac{1}{4}$ watt(R-23)		
14526	Resistor-200 ohms,wire wound, $2\frac{1}{2}$ watts (R-22).....	S-2010	Escutcheon-Station selector escutcheon and crystal complete with band indicator cards.....
14720	Resistor-1000 ohms,carbon type, $\frac{1}{4}$ watt (R-2).....	S-2011	Index-49 meter band indicator card.....
8043	Resistor-10,000 ohms,carbon type,2 watt (R-17).....	S-2012	Index-31 meter band indicator card.....
11175	Resistor-18,000 ohms,carbon type, $\frac{1}{4}$ watt (R-10).....	S-2013	Index-25 meter band indicator card.....
30151	Resistor-18,000 ohms,carbon type,1 watt (R-19).....	S-2014	Index-19 meter band indicator card.....
14284	Resistor-22,000 ohms,carbon type,1/10 watt (R-9).....	14269	Knob-Volume control,tone control or range switch knob.....
13699	Resistor-22,000 ohms,carbon type,2 watt (R-5).....	14688	Knob-Station selector knob.....
		14270	Spring-Retaining spring for knobs stock #14269 and stock #14688-
		S-2025	Screw-Escutcheon mounting screw-
			MISCELLANEOUS ASSEMBLIES

Model 98K A.C. Receiver



ALIGNMENT PROCEDURE

Steps	Connect the high side of test-oscillator to —	Tune test-oscillator to —	Range Selector	Set tuning gang to—	Adjust the following for max. peak output
No. 1	6K7 I-F grid cap in series with .01 mfd.	455 kc	"A"	Quiet point between 550-750 kc	L15, L16 (2nd I-F Transformer)
No. 2	6L7 Det. grid cap in series with .01 mfd.	455 kc	"A"		L13, L14 (1st I-F Transformer)
No. 3	Ant. Terminal	20 mc	"C"	20 mc (147.5°)	C10 (osc.)* C2 (ant.) C24 (det.)†
No. 4	"A" in series with 100 mmfd.	6,100 kc	"B"	6,100 kc (145.5°)	C13 (osc.)**
No. 5	"A" in series with 100 mmfd.	1,500 kc	"A"	1,500 kc (151.5°)	C16 (osc.)
No. 6	"A" in series with 100 mmfd.	600 kc	"A"	600 kc (29.5°)	L8 (osc.)

REPLACEMENT PARTS FOR MODEL 98K

Insist on genuine factory tested parts, which are readily identified and may be purchased from authorized dealers.

STOCK No.	DESCRIPTION	STOCK No.	DESCRIPTION
RECEIVER ASSEMBLIES			
31863	Board-Antenna and ground terminal board..	31296	Coil-"A" Band Oscillator Coil (L8).....
31282	Bracket-Tuning tube bracket and holder...	S-2251	Coil-"B" and "C" Band Antenna Coil (L1, L2, L3).....
31229	Body-Station setting plunger body, less plunger contact and spring.....	S-2252	Coil-"B" and "C" Band Detector Coil (L9, L10).....
S-2254	Cable-Tuning tube cable and socket.....	S-2253	Coil-"B" and "C" Band Oscillator Coil (L6, L7).....
12884	Capacitor-adjustable trimmer, 2-20 mmfd. (C10).....	S-2242	Condenser-3 gang variable condenser (C2, C3, C19, C22, C24).....
31292	Capacitor-Dual adjustable trimmer 3-30 mmfd. (C13, C16).....	31260	Core-Adjustable core and stud for osc. coil.....
J-2255	Capacitor-7.5 mmfd. (C1, C11).....	12006	Core-Adjustable core and stud for I.F. Transformers.....
13001	Capacitor-8.2 mmfd. (C7).....	32093	Damper-Variable condenser tuning motor damper (60 cycle only).....
12896	Capacitor-15 mmfd. (C14).....	32096	Disc-Friction disc engaging roller on motor shaft (60 cycle).....
12723	Capacitor-56 mmfd. (C5).....	31273	Drum-Indicator drive cord drum.....
12813	Capacitor-82 mmfd. (C8).....	31240	Flywheel-Variable condenser drive motor flywheel (25 cycle).....
12720	Capacitor-100 mmfd. (C27, C28, C29, C30, C38).....	31239	Gear-Variable condenser knob shaft drive gear and hub assembly.....
12724	Capacitor-120 mmfd. (C18, C23).....	31238	Gear-Variable condenser intermediate gear and pinion (25 cycle).....
12725	Capacitor-180 mmfd. (C4, C6, C31).....	11891	Lamp-Dial lamp.....
12537	Capacitor-560 mmfd. (C15).....	31480	Lamp-Electric tuning adjustment lamp....
13763	Capacitor-3900 mmfd. (C12).....	31243	Leather-Friction leather for flywheel (25 cycle).....
J-2250	Capacitor-6000 mmfd. (C17).....	31246	Motor-Variable condenser drive motor (M1) (25 cycle).....
4793	Capacitor-.005 mfd. (C32, C40, C44).....	32095	Motor-Variable condenser drive motor (M1) (60 cycle).....
5148	Capacitor-.007 mfd. (C33).....	31228	Plate-Station setting contact plate-less contacts.....
4883	Capacitor-.01 mfd. (C42, C45).....	31231	Plunger-Station setting contact plunger clutch.....
14393	Capacitor-.01 mfd. (C39, C41).....	5119	Plug-3 contact female plug for speaker cable.....
4836	Capacitor-.05 mfd. (C25).....		
4839	Capacitor-.01 mfd. (C21).....		
11414	Capacitor-.01 mfd. (C20).....		
12484	Capacitor-.025 mfd. (C37, C43).....		
5170	Capacitor-.025 mfd. (C26).....		
12741	Capacitor-.05 mfd. (C34).....		
S-2249	Capacitor-10 mfd. (C35).....		
5212	Capacitor-16 mfd. (C36).....		
31237	Clutch-Variable condenser drive gear		
31263	Coil-"A" Band Antenna coil (L4, L5).....		
31264	Coil-"A" Band Detector Coil (L11, L12)....		

REPLACEMENT PARTS FOR MODEL 98K (Continued)

STOCK No.	DESCRIPTION	STOCK No.	DESCRIPTION
31271	Pulley-Station selector knob shaft pulley		
31272	Pulley-Range switch pulley.....		
S-2248	Resistor-18 ohms, 1/2 watt (R9).....		
S-2247	Resistor-220 ohms, 2.5 watts (R8).....		
13204	Resistor-8,200 ohms, 2 watts (R17).....		
14284	Resistor-22,000 ohms, 1/10 watt (R14)...		
14167	Resistor-27,000 ohms, 1/2 watt (R10)...		
11300	Resistor-33,000 ohms, 1/10 watts (R2,R4 R12).....		
13715	Resistor-68,000 ohms, 1/4 watt (R18)...		
14560	Resistor-100,000 ohms, 1/4 watt (R5)...		
11281	Resistor-100,000 ohms, 1/10 watt (R15)...		
11398	Resistor-220,000 ohms, 1/10 watt (R13)...		
12264	Resistor-220,000 ohms, 1/4 watt (R16)...		
11452	Resistor-470,000 ohms, 1/10 watt (R3, R11).....		
12013	Resistor-1 Meg., 1/10 watt (R1,R7)....		
S-1840	Resistor-2.2 meg., 1/10 watt (R6).....		
14983	Resistor-330,000 ohms, 1/4 watt (R19)...		
32086	Roller-Friction roller mounted on tuning motor shaft (60 cycle only)...		
31233	Rotor-Selector rotor disc-mounted on rear of condenser shaft.....		
31241	Screw-x 20 headless-cone point set screw for flywheel-		
14350	Screw-No. 8/32 Square head set screw for selector disc Stock No.31233....		
4669	Screw-No. 8/32 Square head set screw for pulley Stock No. 31272 and Drum Stock No. 31273 -		
31364	Socket-Dial lamp socket.....		
31365	Socket-Insulated lamp socket for adjustment lamp.....		
13871	Socket-Magic eye socket.....		
31251	Socket-Radiotron socket (8 prong).....		
31232	Spring-Station setting contact tip spring		
12007	Spring-Retaining spring for core - Stock #31267 -		
31230	Spring-Station setting contact body spring		
31262	Spring-Tension spring for core-Stock #31260		
31242	Spring-Tension spring for flywheel - 25 cycle -		
14270	Spring-Retaining spring for knob		
J-2239	Switch-Range switch (S1,S2).....		
31248	Tone Control-H.F.Tone Control and power switch (R21,S3).....		
31267	Transformer-First I.F.transformer (L13,L14).....		
31268	Transformer-Second I.F.transformer (L15,L16).....		
31299	Transformer-Power transformer 105/120 volts, 25-60 cycle (T1).....		
31298	Transformer-Power transformer 105/120 volts, 50-60 cycle (T1).....		
31249	Volume Control (R20).....		
SPEAKER ASSEMBLIES (102901-1)			
13866	Cap-Dust Cap for cone centre		
12012	Coil-Field coil (L17).....		
11469	Coil-Hum neutralizing coil (L18).....		
31275	Cone-Speaker cone and voice coil (L19) 5118		
5118	Plug-3 contact male plug.....		
J-2240	Reproducer-Reproducer complete.....		
14355	Transformer-Output transformer (T2)...		
14357	Washer-Spring washer to hold field coil		
14358	Screw-Screw, washer and lockwasher to hold core in yoke		
			MISCELLANEOUS ASSEMBLIES
		S-2256	Bracket-Band indicator mounting bracket complete less indicating strip, cord and tension spring.....
		S-2259	Bracket-Dial scale mounting bracket assembly.....
		31358	Button-Station selector switch push button.....
		31345	Contact-Electric tuning switch con- tacts comprising 10 contacts riveted on insulating strip.....
		31344	Contact-Electric Tuning switch contacts-comprising 13 contacts riveted on insulating strip.....
		31278	Cord-Band indicator drive cord.....
		31281	Cord-Indicator pointer drive cord.....
		31283	Cord-Variable condenser drum drive cord
		31456	Cover-Protective covers for push button markers.....
		S-2245	Dial-Station selector dial and crystal..
		31356	Escutcheon-Station selector dial escutcheon, only, less dial and buttons)
		S-2209	Fuse-Motor protection fuse-3 ampere....
		31304	Indicator-Band indicator strip.....
		31355	Knob-Range switch, tuning, volume control or tone control knob.....
		31458	Marker-Dial tuning marker
		31457	Marker-Victrola marker
		S-2149	Marker-Station call letter markers.....
		31227	Plate-Selector mounting plate-mounts on rear of variable capacitor.....
		31542	Pointer-Station selector indicator pointer and clip assembly.....
		31280	Pulley-Indicator pointer drive cord pulley.....
		14887	Retainer-Indicator pointer drive cord pulley retainer
		S-2261	Rivet-Dial color screen mounting rivets
		32083	Screen-Dial color screen and light diffuser.....
		J-2025	Screw-Escutcheon mounting screw
		31287	Shaft-Slide shaft for indicator pointer carriage.....
		31681	Shaft-Variable condenser drive knob shaft.....
		14278	Socket-Phonograph pickup socket.....
		13638	Spring-Indicator pointer drive cord tension spring
		31418	Spring-Variable condenser drive cord tension spring
		31279	Spring-Band indicator tension spring
		31970	Spring-Tension spring for push button switch latch bar
		31360	Switch-Victrola switch mounted on switch assembly (S4).....
		32229	Switch-Station selector push button switch assembly complete.....
		32094	Washer-Spring tension washer for motor damper 60 cycle.....

REPLACEMENT PARTS MODELS 911K, 911KG and 911K8

Insist on genuine factory tested parts, which are readily identified and may be purchased from authorized dealers.

STOCK No.	DESCRIPTION	STOCK No.	DESCRIPTION
RECEIVER ASSEMBLIES			
31253	Board-Antenna and ground terminal board	31560	Indicator-Station selector indicator pointer (for Model 911K8 only).....
31229	Body-Station-setting contact body, less contact tip and tip spring.....	11891	Lamp-Dial lamp.....
12714	Capacitor-Adjustable trimmer, 2-12 mmfd. (C39).....	31480	Lamp-Electric tuning adjustment indicator lamp.....
12884	Capacitor-Adjustable trimmer, 2-20 mmfd. (C4, C10).....	31243	Leather-Friction leather for flywheel
31252	Capacitor-Adjustable trimmer, 5-80 mmfd. (C1).....	31246	Motor-Variable condenser drive motor (M-1) 25 cycle models only.....
31353	Capacitor-15 mmfd. (C43).....	31235	Motor-Variable condenser drive Motor (M-1) 50/60 cycle models only.....
12896	Capacitor-15 mmfd. (C51).....	31228	Plate-Selector contact plate-less contacts.....
31350	Capacitor-18 mmfd. (C38).....	31227	Plate-Selector mounting plate-mounts on rear of variable condenser.....
31354	Capacitor-33 mmfd. (C48).....	5040	Plug-4-contact female for speaker cable..
12723	Capacitor-56 mmfd. (C47).....	31271	Pulley-Motor pulley.....
31349	Capacitor-62 mmfd. (C37).....	31272	Pulley-Range switch pulley.....
12720	Capacitor-100 mmfd. (C23).....	31250	Resistor-Voltage divider comprising one 1,500 ohms, one 2,950 ohms, one 3,400 ohms, one 12 ohms, and one 180 ohms sections (R18, R19, R20, R25, R26).....
31270	Capacitor-100 mmfd. (C14, C15, C17, C20).....	14284	Resistor-22,000 ohms, 1/10 watt (R4, R7, R28).....
12724	Capacitor-120 mmfd. (C13, C41).....	11300	Resistor-33,000 ohms, 1/10 watt (R3, R17).....
31352	Capacitor-120 mmfd. (C42).....	11281	Resistor-100,000 ohms, 1/10 watt (R30).....
12725	Capacitor-150 mmfd. (C18).....	11398	Resistor-220,000 ohms, 1/10 watt (R12, R15).....
31351	Capacitor-190 mmfd. (C40).....	12264	Resistor-220,000 ohms, 1/2 watt (R5).....
31348	Capacitor-510 mmfd. (C34).....	11453	Resistor-270,000 ohms, 1/10 watt (R13, R16).....
30303	Capacitor-.0035 mfd. (C45).....	11452	Resistor-470,000 ohms, 1/10 watt (R29).....
4838	Capacitor-.005 mfd. (C19, C24, C28, C29).....	12013	Resistor-1 meg., 1/10 watt (R2, R10).....
14393	Capacitor-.01 mfd. (C5, C12, C25, C26, C44, C49, C50).....	13730	Resistor-1 meg., 1/2 watt (R1, R23).....
4858	Capacitor-.01 mfd. (C9).....	31056	Resistor-1.2 meg., 1/10 watt (R27).....
4870	Capacitor-.025 mfd. (C21).....	5131	Resistor-2.2 meg., 1/10 watt (R6).....
4886	Capacitor-.05 mfd. (C30).....	31233	Rotor-Selector rotor disc-mounts on rear of variable condenser shaft.....
4839	Capacitor-0.1 mfd. (C6, C16).....	31241	Screw-1/8 x 20 headless, cone point set screw for flywheel
12484	Capacitor-0.25 mfd. (C33, C46).....	14350	Screw-No. 8-32 square head set screw for selector rotor disc
30867	Capacitor-0.5 mfd. (C22).....	4119	Screw-No. 8-32 headless set screw for gear, Stock No. 31239
5212	Capacitor-16 mfd. (C32).....	4669	Screw-No. 8-32 square head set screw for pulley, Stock Nos. 31271 and 31272, and drum, Stock No. 31273
14531	Capacitor-25 mfd. (C31).....	31364	Socket-Dial lamp socket.....
S-2208	Capacitor-60 mfd. (C20).....	13871	Socket-Magic Eye socket.....
31544	Clutch-Variable condenser drive gear clutch and pinion gear-engages pin on motor shaft-25 cycle models only.....	31251	Socket-Radiotron socket.....
31237	Clutch-Variable condenser drive gear clutch and pinion gear-engages pin on motor shaft, 50-60 cycle models only.....	31365	Socket-Tuning indicator lamp insulated socket.....
31263	Coil-"A" Band antenna coil (L5, L7).....	31232	Spring-Contact tip spring for station-setting contact
31257	Coil-"A" Band oscillator coil (L25).....	12007	Spring-Retaining spring for core, Stock No. 31269
31265	Coil-"A" Band detector coil (L12, L13).....	31230	Spring-Station-setting contact body spring
31264	Coil-Coil 19, 25, 31, and 49 meter band-spread antenna coil (L1, L2, L3, L4, L6).....	31261	Spring-Tension spring for core, Stock No. 31259
31266	Coil-19, 25, 31, and 49 meter bandspread detector coil (L8, L9, L10, L11).....	31262	Spring-Tension spring for core, Stock No. 31260
31258	Coil-19 meter band oscillator coil (L20, L21).....	31242	Spring-Tension spring for flywheel
31254	Coil-25 meter band oscillator coil (L22).....	31245	Support-Variable condenser motor mounting support and studs-for 25 cycle models only.....
31255	Coil-31 meter band oscillator coil (L23).....	31244	Support-Variable condenser motor mounting support and studs-for 50-60 cycle models only.....
31256	Coil-49 meter band oscillator coil (L24).....	31236	Support-Variable condenser drive gear mounting support and studs assembly.....
31234	Condenser-3-gang variable condenser (C2, C3, C7, C8, C35).....	31247	Switch-Range switch (S1, S2, S3, S4).....
31231	Contact-Contact tip for station-setting contact	31248	Tone Control-h-f tone control and power switch (R11, S5).....
31260	Core-Adjustable core and stud for "A" band oscillator coil.....	*32068	Transformer-First i-f transformer (L14, L15, C14, C15).....
31269	Core-Adjustable core and stud for i-f transformer.....	*31267	Transformer-First i-f transformer (L14, L15, C14, C15).....
31259	Core-Adjustable core and stud for 19, 25, 31, or 49 meter band oscillator coils.....	*14283	Transformer-Second i-f transformer (L16, L17, C17, C20).....
31562	Dial-Station selector dial scale and crystal (for Model 911K8 only).....	*31268	Transformer-Second i-f transformer (L16, L17, C17, C20).....
31273	Drum-Indicator drive cord drum.....	31226	Transformer-Power transformer, 110 volts, 25-60 cycle (T1).....
31561	Escutcheon-Station selector dial escutcheon less dial scale and push buttons (For Model 911K8 only).....	31225	Transformer-Power transformer, 110 volts, 50-60 cycle (T1).....
31240	Flywheel-Variable condenser drive motor flywheel.....	31249	Volume Control (R9).....
S-2209	Fuse-3 ampere motor fuse		
31545	Gear-Variable condenser intermediate drive gear and pinion gear, 25 cycle models only.....		
31238	Gear-Variable condenser intermediate drive gear and pinion gear 50/60 cycle models only.....		
31239	Gear-Variable condenser knob shaft drive gear and hub.....		

*NOTE - On some models Stock #32068 (First i.f. transformer) and stock #14283 (Second i.f. transformer) were used, they may be distinguished by the following marking 76456-508 (first i.f.) and 70456-503 (second i.f.).

REPLACEMENT PARTS (Continued) MODELS 911K, 911KG and 911K8

Insist on genuine factory tested parts, which are readily identified and may be purchased from authorized dealers.

STOCK No.	DESCRIPTION	STOCK No.	DESCRIPTION
SPEAKER ASSEMBLIES Speaker RL70H-2			
13866	Cap-Dust cap for cone center	31457	Marker-"Victrola" marker for push button
11234	Coil-Field coil (L26).....	31458	Marker-"Dial Tuning" marker for push button
11469	Coil-Neutralizing coil (L18).....	31280	Pulley-Indicator pointer drive cord pulley.....
31275	Cone-Speaker cone and voice coil (L19)	14887	Retainer-Indicator pointer drive cord pulley retainer
5039	Plug-4-contact male plug for speaker..	31285	Screen-Station selector dial color screen and light diffuser.....
31530	Speaker-Complete.....	11210	Screw-Chassis mounting screws, washers, and lock-washers for 1 chassis
14534	Transformer-Output transformer (T2)...	S-2025	Screw-Escutcheon mounting screws
14357	Washer-Spring washer to hold field coil securely	31287	Shaft-Indicator pointer slide shaft..
MISCELLANEOUS ASSEMBLIES			
31276	Bracket-Band indicator mounting bracket complete except less band indicating strip, cord, and tension spring.....	31286	Slide-Indicator pointer carriage and clip... ..
31282	Bracket-Magic Eye bracket and holder..	31347	Socket-Pickup socket and bracket.....
31358	Button-Station selector switch push button.....	13638	Spring-Indicator pointer drive cord tension spring
31344	Contact-Push button switch contacts-comprising 13 contacts riveted on insulating strip.....	31418	Spring-Variable condenser drive cord tension spring
31345	Contact-Push button switch contacts-comprising 10 contacts riveted on insulating strip.....	31279	Spring-Tension spring for band indicator
31278	Cord-Band indicator drive cord.....	31313	Spring-Tension spring for station selector push button switch latch bar
31281	Cord-Indicator pointer drive cord.....	14270	Spring-Retaining spring for knob, Stock No. 31355
31283	Cord-Variable condenser drum drive cord.....	31288	Stop-Indicator pointer slide stop....
31456	Cover-Protective covers for push button markers.....	31360	Switch-Pickup switch for mounting on push-button switch assembly (S7)....
31359	Cushion-Station selector push button rubber cushion.....	31312	Switch-Station selector push-button switch and bracket assembly, complete
31363	Dial-Station selector dial and crystal	ANTENNA ASSEMBLIES	
31362	Escutcheon-Station selector dial escutcheon-less dial scale and push buttons.....	31426	Counterpoise Line-Additional length 60 ft. long.....
31277	Indicator-Band indicator strip.....	12426	Insulator-Strain and counterpoise insulator
31284	Indicator-Station selector indicator pointer.....	9816	Transmission Line-Additional length 60 ft. long.....
31355	Knob-Range switch, tone control, volume control or station selector knob.....		
31346	Lock-Plate-Push button switch lock-plate-comprising 10 contact locks in one strip.....		
S-2149	Marker-Station call letter markers for push buttons.....		

ALIGNMENT PROCEDURE

Steps	Connect the high side of test-oscillator to—	Tune Test-Oscillator to—	Range Selector	Set Tuning Gang to—	Adjust the following for max. peak output
No. 1	6K7 I-F grid cap, in series with .01 mfd.	455 kc	"A"	Quiet point between 550-750 kc	L16, L17 (2nd I-F transformer)
No. 2	6A8 1st-det. grid cap, in series with .01 mfd.	455 kc	"A"		L14, L15 (1st I-F transformer)
No. 3	A2, in series with 100 mmf. Connect A3 to chassis.	1,500 kc	"A"	1,500 kc (151.5°)	C39 (osc.) C3 (ant.) C8 (det.)
No. 4	A2, in series with 100 mmf. Connect A3 to chassis.	600 kc	"A"	600 kc (30.0°)	L25 (osc.)
No. 5	A2, in series with 100 mmf. Connect A3 to chassis.	1,500 kc	"A"	1,500 kc (151.5°)	C39 (osc.)
No. 6	A2. Connect A1 to chassis.	6,100 kc	"49M"	6,100 kc (106°)	L24 (osc.)*
No. 7	A2. Connect A1 to chassis.	9,600 kc	"31M"	9,600 kc (102°)	L23 (osc.)** C4 (ant.) C10 (det.)
No. 8	A2. Connect A1 to chassis.	11,800 kc	"25M"	11,800 kc (90.0°)	L22 (osc.)**
No. 9	A2. Connect A1 to chassis.	15,200 kc	"19M"	15,200 kc (78.0°)	L21 (osc.)**

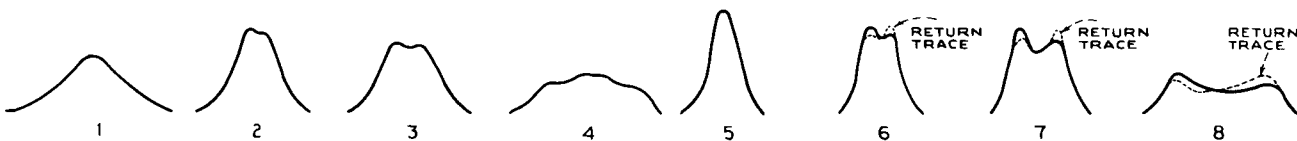
* Use maximum inductance peak (plunger in) if two peaks can be obtained.

** Use minimum inductance peak (plunger out) if two peaks can be obtained.

Note that the heterodyne oscillator tracks above the signal frequency on all bands except "49M," where it is lower than the signal frequency.

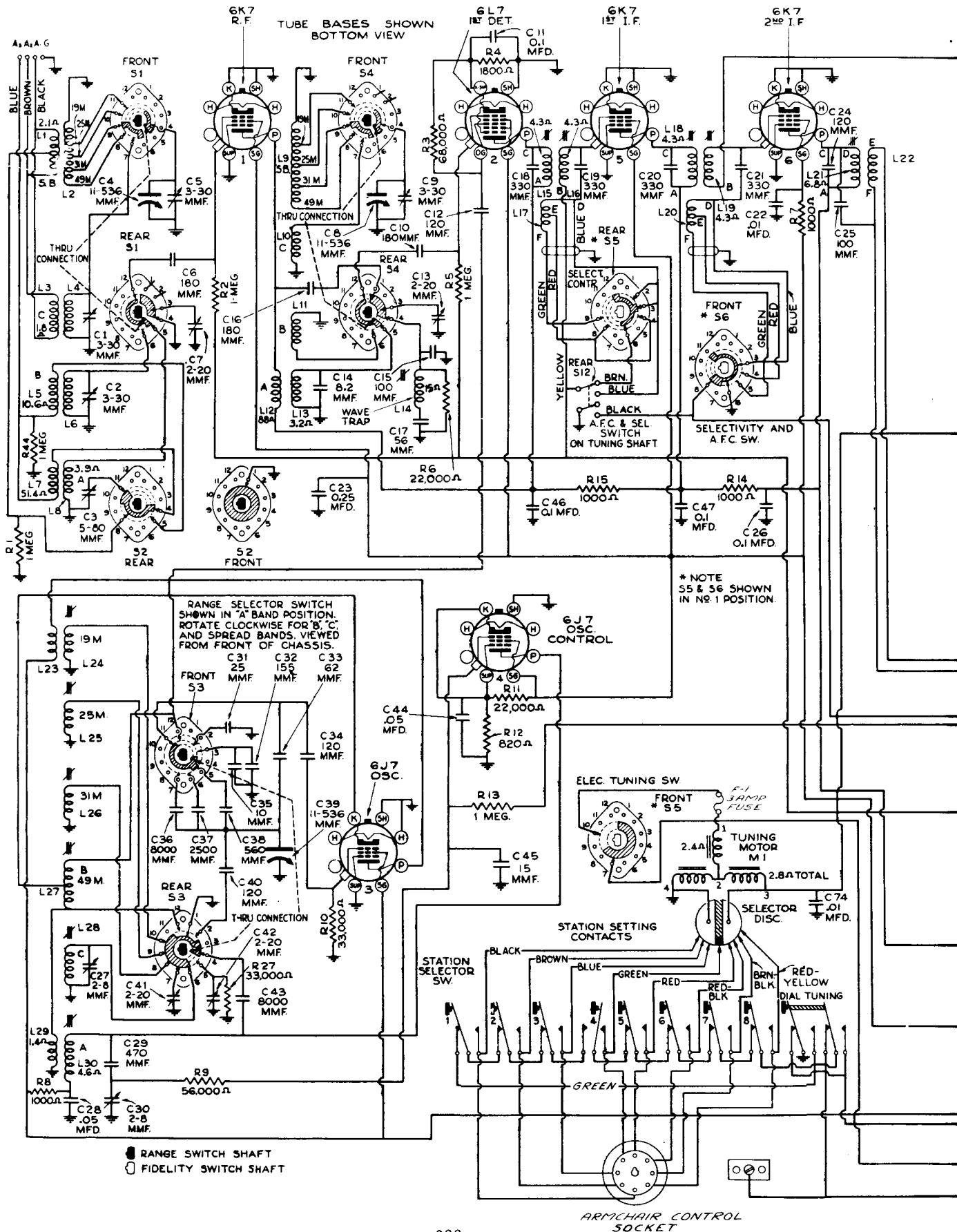
Alignment Table (916H.F. & U-160)

Step	Connect High Side of Test Oscillator to—	Tune Test Oscillator to—	Range Selector	Set Tuning Gang to—	Adjust following for maximum peak output	Check for Selectivity Curve No.
1	Turn fidelity switch	to maximum	counter-clockwise (No. 1)	position.		
2	6K7 2nd I-F Grid Cap in series with .01 mfd.	455 KC	"A"	Quiet	L21 3rd I-F Trans. L31-L32 4th I-F Trans.	1
3	6K7 1st I-F Grid Cap in series with .01 mfd.	455 KC	"A"	Point	L18, L19 2nd I-F Trans.	2
4	6K7 1st I-F Grid Cap in series with .01 mfd.	455 KC	"A"	Between	Turn Fidelity Control Clockwise to No. 6 position	3
				550 and 750 KC	Turn Fidelity Control Clockwise to No. 7 position	4
5	Turn Fidelity Control to maximum counter-clockwise (No. 1) position.					
6	6L7 1st Det. Grid in series with 300 ohms <i>Remove Grid Lead</i>	455 KC	"A"	Quiet	L15, L16, 1st I-F Trans.	5
7	6L7 1st Det. Grid in series with 300 ohms	455 KC	"A"	Point	Turn Fidelity Control Clockwise to No. 5 position	6
				Between	Turn Fidelity Switch Clockwise to position No. 6	7
				550 and 750 KC	Turn Fidelity Switch Clockwise to position No. 7	8
8	Turn Fidelity Control to maximum counter-clockwise (No. 1) position.					
9	A2 in series with 100 mmf, A1 to Gnd.	600 KC	"A"	600 KC 29°	L30, osc.	<p>* NOTE: In Step 19 only, oscillator tracks on low side of signal; use maximum inductance peak (plunger in) if two peaks can be obtained. All other oscillator trimmers use minimum, inductance or capacity peak (plunger out), if two peaks can be obtained.</p>
10	A2 in series with 100 mmf, A1 to Gnd.	1,500 KC	"A"	1,500 KC 152.5°	C30, osc.; C5, ant.; C9, det.	
11	A2 in series with 100 mmf, A1 to Gnd.	455 KC	"A"	600 KC 29°	L14, wave trap <i>Minimum output</i>	
12	A2 in series with 100 mmf, A1 to Gnd.	6,100 KC	"B"	6,100 KC 147°	C42, osc.; C2, ant.	
13	A2 in series with 100 mmf, A1 to Gnd.	2,440 KC	"B"	2,440 KC 15°	L27, osc.	
14	A2 in series with 100 mmf, A1 to Gnd.	6,100 KC	"B"	6,100 KC 147°	C42	
15	A2 in series with 47 ohms, A3 to Gnd.	20,000 KC	"C"	20,000 KC 156°	C27, osc.; C1, ant.	
16	A2 in series with 47 ohms, A3 to Gnd.	9,600 KC	"C"	9,600 KC 57°	L28, osc.	
17	A2 in series with 47 ohms, A3 to Gnd.	20,000 KC	"C"	20,000 KC 156°	C27, osc.	
18	A2 in series with 47 ohms, A3 to Gnd.	9,600 KC	"31M"	9,600 KC 99°	L26, osc.; C7, ant.; C13, det.	
19*	A2 in series with 47 ohms, A3 to Gnd.	6,100 KC	"49M"	6,100 KC 103°	C41, osc.	
20	A2 in series with 47 ohms, A3 to Gnd.	11,800 KC	"25M"	11,800 KC 90°	L25, osc.	
21	A2 in series with 47 ohms, A3 to Gnd.	15,200 KC	"19M"	15,200 KC 79°	L24, osc.	



I-F Selectivity Curves

Model 916H.F. A.C. Receiver Model U-160 RCA Victrola



REPLACEMENT PARTS MODELS 916H.F. and U-160

Insist on genuine factory tested parts, which are readily identified and may be purchased from authorized dealers.

STOCK No.	DESCRIPTION	STOCK No.	DESCRIPTION
RECEIVER ASSEMBLIES			
31492	Bearing-Variable condenser motor rotor adjustment bearing-less bracket and cup assembly - U-160.....	31690	Coil-"B" and 49-meter band oscillator coil (L27).....
31253	Board-Antenna-ground terminal board-Models 916 H.F.....	14952	Coil-"B" band r-f coil (L11).....
31752	Board-Antenna-ground terminal board-Models U-160.....	31671	Coil-"C" band antenna coil (L3,L4).....
31276	Bracket-Band indicator mounting bracket-less band indicating strip, cord, and tension spring.....	31255	Coil-"C" or 31-meter band oscillator coil (L26,L28).....
31491	Bracket-Bracket and bearing cup for variable condenser motor rotor adjustment-Model U-160.....	14953	Coil-"C" band r-f coil (L10).....
31282	Bracket-"Magic Eye" bracket and clip..	12819	Coil-Choke coil (L35).....
31712	Cable-3-conductor shielded fidelity switch cable.....	31688	Coil-19-meter band oscillator coil (L23, L24).....
31711	Cable-4-conductor shielded fidelity switch cable.....	31254	Coil-25-meter band oscillator coil (L25)
31710	Cable-Low capacity phono.cable.....	31673	Coil-49-, 31-, 25-, and 19-meter bands antenna coil (L1,L2).....
31715	Cable-Push-button switch-to-selector contacts cable.....	14954	Coil-49-, 31-, 25-, and 19-meter bands r-f coil (L9).....
30766	Cap-Shield cap for "Magic Eye".....	31676	Condenser-3-gang variable (C4,C5,C8,C9, C39).....
12607	Cap-Top shield cap for first, second, or fourth i-f transformer.....	31231	Contact-Contact tip for selector plunger
12807	Capacitor-Adjustable trimmer, 2-8 mmfd. (C27, C30).....	31345	Contact-Push-button switch contacts, comprising 10-contacts riveted on insulating strip.....
12884	Capacitor-Adjustable trimmer, 2-20 mmfd. (C7, C13, C41, C42).....	31344	Contact-Push-button switch contacts, comprising 13-contacts riveted on insulating strip.....
31292	Capacitor-Dual adjustable trimmer, 3-30 mmfd. each section (C1, C2).....	31697	Cord-Band indicator drive cord.....
14392	Capacitor-4.7 mmfd. (C68).....	31281	Cord-Pointer drive cord Model 916 H.F. only.....
31252	Capacitor-Adjustable trimmer, 5-80 mmfd. (C3).....	31699	Cord-Pointer drive cord Model U-160
13001	Capacitor-8.2 mmfd. (C14).....	S-2209	Fuse-3 ampere motor fuse.....
31709	Capacitor-10 mmfd. (C35).....	31698	Cord-Variable condenser drive cord.....
12896	Capacitor-15 mmfd. (C45).....	31273	Drum-Variable condenser drive cord drum
31707	Capacitor-25 mmfd. (C31).....	31686	Filter-10-kc filter (L33, L34, C61, C62, C64, C65).....
13141	Capacitor-47 mmfd. (C79).....	31240	Flywheel-Variable condenser drive motor fly-wheel.....
12723	Capacitor-56 mmfd. (C17).....	31239	Gear-Variable condenser knob shaft drive gear and hub.....
31705	Capacitor-62 mmfd. (C33).....	31545	Gear-Variable condenser intermediate drive gear and pinion gear-for 25-cycle models only.....
12813	Capacitor-82 mmfd. (C104)-Model U-160	31238	Gear-Variable condenser intermediate drive gear and pinion gear-for 50/60 cycle models only.....
31270	Capacitor-100 mmfd. (C25, C49).....	31696	Indicator-Band indicator strip.....
12720	Capacitor-100 mmfd. (C15).....	31480	Lamp-Electric Tuning adjustment indicator lamp.....
31706	Capacitor-120 mmfd. (C40).....	11891	Lamp-Dial lamp.....
12724	Capacitor-120 mmfd. (C12, C34).....	31243	Leather-Friction leather for flywheel
31757	Capacitor-120 mmfd. (C24, C48, C50).....	31346	Lock Plate-Push-button switch lock plate, comprising 10-contact locks in one strip.....
31708	Capacitor-155 mmfd. (C32).....	31246	Motor-Variable condenser drive motor-for 25-cycle models only (M1).....
13003	Capacitor-180 mmfd. (C6, C10, C16).....	31235	Motor-Variable condenser drive motor-for 50/60 cycle models only (M1).....
12952	Capacitor-330 mmfd. (C59, C60).....	12471	Plate-Mounting plate and rubber for cushion socket-less socket.....
31756	Capacitor-330 mmfd. (C18, C19, C20, C21).....	31227	Plate-Selector mounting plate and spacers--mounts on rear of variable condenser.....
30433	Capacitor-470 mmfd. (C29).....	31228	Plate-Selector contact plate-less plungers.....
31702	Capacitor-560 mmfd. (C38).....	31229	Plunger-Selector plunger-less contact tip and tip spring.....
31703	Capacitor-2,500 mmfd. (C37).....	30868	Plug-2-contact female plug for motor power cable-Model U-160 only.....
31704	Capacitor-8,000 mmfd. (C36, C43).....	5040	Plug-4-contact female plug for speaker cable.....
5107	Capacitor-.0025 mfd. (C63, C105)-C105 in Model U-160 only.....	14697	Pulley-Variable condenser drive cord intermediate pulley.....
30303	Capacitor-.0035 mfd. (C100)-Model U-160 only.....	31280	Pulley-Indicator pointer drive cord pulley.....
4838	Capacitor-.005 mfd. (C52, C56).....	31272	Pulley-Range switch shaft pulley.....
14393	Capacitor-.01 mfd. (C22, C55, C67, C74, C101)-C101 in Model U-160 only.....	31271	Pulley-Station selector knob shaft pulley.....
11315	Capacitor-.015 mfd. (C53, C54, C69).....	31693	Resistor-Voltage divider, comprising one 82 ohm, one 18 ohm, one 3,300 ohm, one 2,700 ohm, one 1,100 ohm sections (R39, R40, R41, R42, R43).....
30938	Capacitor-.025 mfd. (C58, C73, C102)-C102 in Model U-160 only.....	13220	Resistor-56 ohms, 1/2 watt (R45).....
4886	Capacitor-.05 mfd. (C28).....	14076	Resistor-820 ohms, 1/2 watt (R12).....
30882	Capacitor-.05 mfd. (C44, C70).....	14720	Resistor-1,000 ohms, 1/2 watt (R7, R8, R14, R15).....
4839	Capacitor-.01 mfd. (C26, C46, C11, C47).....	12194	Resistor-1,800 ohms, 1/2 watt (R4).....
30899	Capacitor-.01 mfd. (C71).....	14559	Resistor-10,000 ohms, 1/2 watt (R16).....
30965	Capacitor-.025 mfd. (C56, C72, C23, C57).....		
31701	Capacitor-.05 mfd. (C51, C81).....		
11203	Capacitor-.10 mfd. (C75, C76).....		
14377	Capacitor-.16 mfd. (C77).....		
5212	Capacitor-.16 mfd. (C78)-Model 916 H.F.		
S-2208	Capacitor-.60 mfd. (C200).....		
31751	Capacitor-.16 mfd. (C78)-Model U-160 only.....		
31544	Clutch-Variable condenser drive gear clutch and pinion gear-for 25-cycle models only.....		
31237	Clutch-Variable condenser drive gear clutch and pinion gear-for 50/60 cycle models only.....		
31669	Coil-"A" band antenna coil (L7, L8).....		
31689	Coil-"A" band oscillator coil (L29, L30)		
31672	Coil-"A" band r-f coil (L12, L13).....		
31670	Coil-"B" band antenna coil (L5, L6).....		

REPLACEMENT PARTS (Continued) MODELS 916H.F. and U-160

Insist on genuine factory tested parts, which are readily identified and may be purchased from authorized dealers.

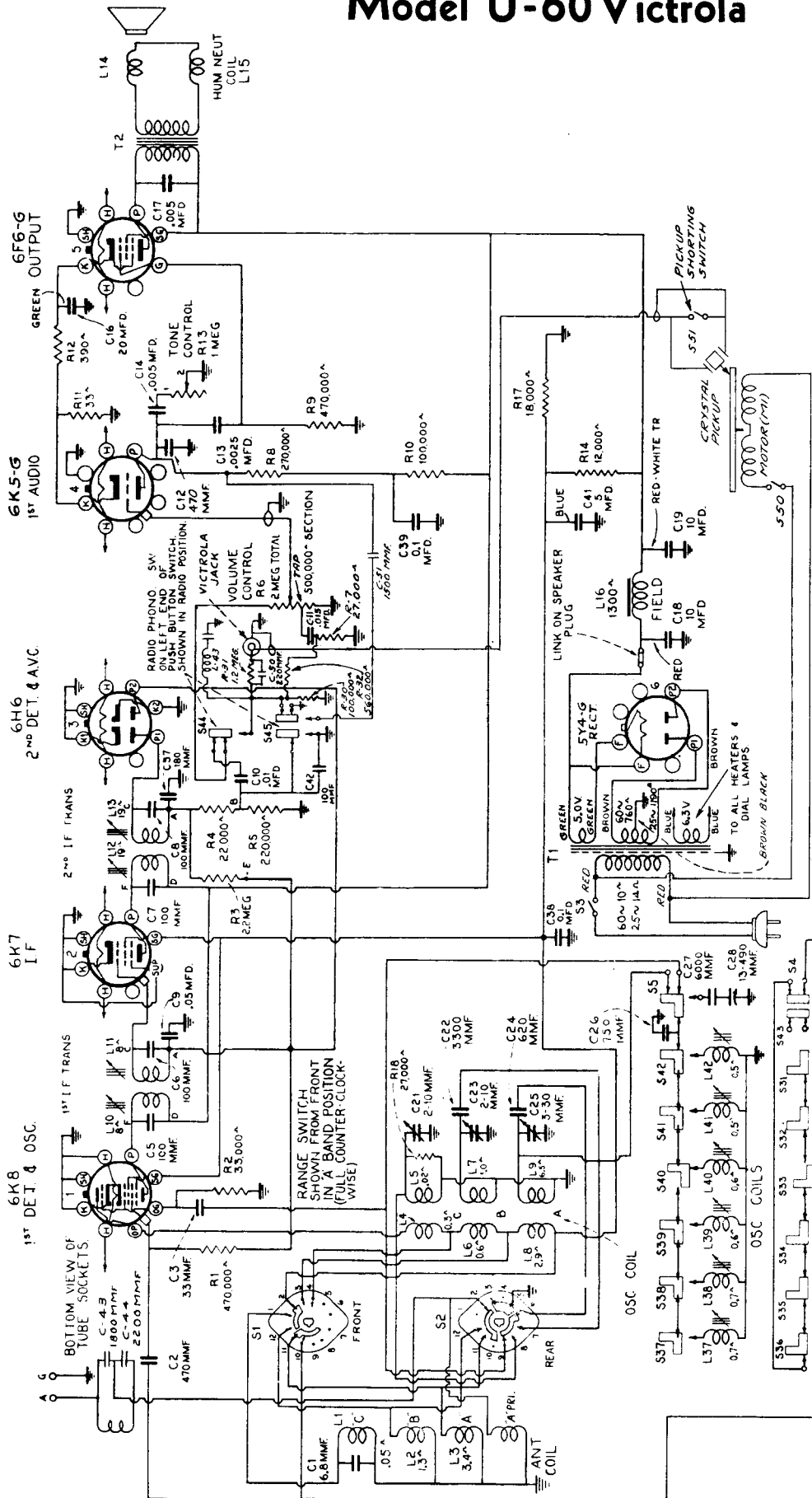
STOCK No.	DESCRIPTION	STOCK No.	DESCRIPTION
12695	Resistor-15,000 ohms, 1/4 watt (R21).....	31754	Switch-Push-button switch and bracket complete-Model U-160 only.....
13998	Resistor-22,000 ohms, 1/4 watt (R6).....		
30492	Resistor-22,000 ohms, 1/4 watt (R11,R26).....	31755	Switch-Radio-Phono. switch for mounting on push-button switch assembly (S100)-Model U-160 only.....
12738	Resistor-27,000 ohms, 1/4 watt (R22).....		
12454	Resistor-33,000 ohms, 1/4 watt (R10,R27).....	31668	Switch-Range switch only-less coils (S1, S2,S3,S4).....
12412	Resistor-47,000 ohms, 1/4 watt (R28).....		
12286	Resistor-56,000 ohms, 1/4 watt (R9).....	31746	Transformer-First i-f transformer (L15, L16,L17,C18,C19).....
13715	Resistor-68,000 ohms, 1/4 watt (R3).....	31749	Transformer-Second i-f transformer (L18, L19,L20,C20,C21).....
13698	Resistor-180,000 ohms, 1/4 watt (R33).....	31747	Transformer-Third i-f transformer (L21, L22,C24,C25).....
12199	Resistor-270,000 ohms, 1/4 watt (R25,R35, R37,R47).....	31748	Transformer-Fourth i-f transformer (L31, L32,C48,C49,C50,R17).....
13479	Resistor-390,000 ohms, 1/4 watt (R19).....	31685	Transformer-Output transformer (T2)-....
12285	Resistor-470,000 ohms, 1/4 watt (R31).....	31675	Transformer-Power transformer,105-120 volts,25-60 cycle (T1).....
12486	Resistor-560,000 ohms, 1/4 watt (R18,R30).....	31674	Transformer-Power transformer,105-120 volts,50-60 cycle (T1).....
12013	Resistor-1 meg., 1/10 watt (R32).....	12654	Trap-Wave trap (L14).....
13730	Resistor-1 meg., 1/4 watt (R1,R2,R5,R13, R29,R44).....	31682	Volume Control (R23).....
5028	Resistor-1.8 meg., 1/4 watt (R103)-Model U-160 only.....		
12201	Resistor-1.5 meg., 1/4 watt (R100)-Model U-160 only.....		
30208	Resistor-1.2 meg., 1/4 watt (R101,R102)-Models U-160 only.....		
14887	Retainer-Pointer drive cord pulley retainer		MOTOR BOARD ASSEMBLIES Model U-160
31233	Rotor-Selector rotor disc-mounts on rear of variable condenser shaft.....	31149	Base-Tone arm mounting base.....
31241	Screw-1-20 x 3/16-in. headless cone point set screw for flywheel	31152	Board-Record changer base complete with all welded and riveted posts and bearings-less all operating parts.....
14350	Screw-No.8-32 square head set screw for rotor, Stock No. 31233-	14209	Bumper-Main lever rubber bumper
4669	Screw-No.8-32 x 3/8 in. square head set screw for pulley, Stock No.31272, and drum, Stock No.31273	9848	Cup-Used needle cup,rest,and lid complete.....
4119	Screw-No.8-32 x 1/4-in.,headless set screw for gear,Stock No.31239 -	31148	Escutcheon-Index escutcheon.....
		31151	Guide-Pickup lift cable guide (coil spring,80T 2-in. long)
31681	Shaft-Variable condenser drive knob shaft.....	31150	Mounting-Pickup arm base rubber mounting complete.....
31364	Socket-Dial lamp socket-Model 916 H.F. only.....	31155	Spring-Needle cup lid tension spring
31365	Socket-Electric Tuning adjustment indicator lamp socket.....		
13871	Socket-"Magic Eye" socket.....		OPERATING MECHANISM Model U-160
14278	Socket-Phono, input socket.....	31134	Bracket-Pickup locating lever mounting bracket
31251	Socket-Tube socket.....	31144	Cam-Cam and gear assembly
31232	Spring-Contact tip spring for selector plunger	6808	Clutch-Trip lever friction clutch assembly
13638	Spring-Pointer drive cord tension spring	31146	Coupling-motor coupling complete with turn-table drive gear,rubber strips, motor coupling,and drive arm
31230	Spring-Selector plunger body spring	31129	Cover-Cap for top of record post.....
31279	Spring-Tension spring for band indicator	31116	Finger-Trip lever friction finger assembly
31313	Spring-Tension spring for push-button switch latch bar	31119	Gear-Long arm and rack gear for front left-hand record post
31242	Spring-Tension spring for flywheel	31120	Gear-Short arm and rack gear for rear right-hand record post
31418	Spring-Variable condenser drive cord tension spring	31121	Gear-Record post gear
31494	Spring-Variable condenser motor rotor adjustment bearing spring for 25-cycle models only-Model U-160 only	31123	Guide-Main lever spring guide
31493	Spring-Variable condenser motor rotor adjustment bearing spring for 50/60 cycle models only-Model U-160 only	31114	Lever-Index lever assembly
		31137	Lever-Index lever tension spring lever
31680	Support-Variable condenser drive gear mounting support and studs.....	31138	Lever-Locating lever and pawl assembly
31679	Support-Variable condenser motor mounting support and studs-for 25-cycle models only.....	31113	Lever-Main lever assembly
31678	Support-Variable condenser motor mounting support and studs-for 50/60 cycle models only.....	31140	Lever-Pickup lift cable lever and spring assembly
31677	Switch-Electric Tuning A.F.C. suppression switch (S7).....	31135	Lever-Pickup locating lever assembly
31684	Switch-Fidelity switch (S5,S6).....	31130	Lever-Record separator elevating lever complete with adjustment screws
31683	Switch-L.f. tone and power switch (S8, S9).....	31132	Lever-Trip detaining lever
31700	Switch-Manual Tuning A.F.C. and selectivity switch (S12).....	31115	Lever-Trip lever assembly
31360	Switch-Victrola switch for mounting on push-button switch assembly (S10)-Model 916 H.F. only.....	31131	Lever-Trip regulator lever
31695	Switch-Push-button switch and bracket complete-Model 916 H.F. only.....	31133	Pawl-Trip pawl assembly
		31124	Pin-Record post drive pin
		14207	Roller-Pickup lift cable roller and bracket assembly
		31118	Screw-Cone pointed set screw for trip lever hub or record post shelf
		4563	Screw-Pickup lift cable screw and nuts
		14195	Screw-Set screw for flexible coupling
		31117	Screw-Special screw to adjust friction clutch tension

REPLACEMENT PARTS (Continued) MODELS 916H.F. and U-160

Insist on genuine factory tested parts, which are readily identified and may be purchased from authorized dealers.

STOCK No.	DESCRIPTION	STOCK No.	DESCRIPTION
31126	Separator-Record separator knife		MISCELLANEOUS ASSEMBLIES
31122	Shaft-Record separator post shaft	31358	Button-Station selector push-button...
31125	Shelf-Record post shelf assembly	13103	Cap-Pilot lamp cap (bullseye)-Model U-160 only.....
31141	Spindle-Turntable spindle shaft and spring.....	31286	Carriage-Indicator pointer carriage and clip-Model 916 H.F. only.....
3676	Spring-Cam pawl tension spring on main gear (12 turns, .190-in. O.D., 43/64-in. lg.)	31456	Cover-Eight protective covers for push-button markers.....
14190	Spring-Pickup locating lever short spring or locating lever pawl tension spring (16 turns, .180-in. O.D., 19/32-in. lg.).....	31540	Cushion-Chassis mounting cushion and screw assemblies sufficient for one chassis-Model U-160 only.....
31145	Spring-Main lever tension spring (18 turns, 9/16-in. O.D., 3-in. lg.)	31541	Cushion-Motor plate mounting cushion and clamp assembly sufficient for one instrument-Model U-160 only.....
31136	Spring-Pickup locating lever long spring or index lever tension spring (25 turns, 190-in. O.D., 15/16-in. lg.)	31716	Dial-Station selector dial scale and crystal-Model 916 H.F. only.....
3666	Spring-Pickup lift cable tension spring (20 turns, .195-in. O.D. 1-in. lg.)	31719	Dial-Station selector dial scale and crystal-Model U-160 only.....
31127	Spring-Record separator pressure spring (8 turns, 5/8-in. O.D., 1/2-in. lg.)	31362	Escutcheon-Station selector dial escutcheon only-less dial and push-buttons-Model 916 H.F. only.....
14191	Spring-Trip detaining lever or locating lever tension spring (15 turns, .190-in. O.D., 1/2-in. lg.)	31561	Escutcheon-Station selector dial escutcheon only-less dial, and push-buttons-Model U-160 only.....
31142	Spring-Turntable spindle spring-	30698	Hinge-Cabinet lid hinge-Model U-160 only.....
31147	Strip-Complete set of rubber strips for flexible coupling.....	31759	Hinge-Cabinet door hinges (1 upper and 1 lower)-Model U-160 only.....
31139	Turntable Assembly-less spindle.....	31564	Holder-Needle card holder-Model U-160 only.....
31128	Washer-"C" washer for top of record post	31717	Indicator-Station selector indicator pointer, carriage, and clip assembly-Model U-160 only.....
31143	Washers-Turntable thrust washers (1 steel, 1 bronze, 1 felt).....	31714	Indicator-Station selector indicator pointer-Model 916 H.F. only.....
	MOTOR ASSEMBLIES Model U-160	31355	Knob-Volume control, tone control, range switch, or fidelity switch knob.....
11703	Governor-Motor speed governor.....	31713	Knob-Station selector knob.....
31448	Motor-105-125 volts, 25 cycle (M2)....	11891	Lamp-Pilot or compartment lamp-Model U-160 only.....
31157	Motor-105-125 volts, 60 cycle (M2)....	31458	Marker-"Dial Tuning" push-button marker
30870	Plug-2-contact male plug for motor power cable.....	31457	Marker-"Victrola" push-button marker
31447	Screw-Complete set of motor mounting screws, washers, and spacers-for 25-cycle models only.....	S-2149	Marker-Station call letter markers
31158	Screw-Complete set of motor mounting screws, washers, and spacers-for 60-cycle models only.....	31566	Pull-Cabinet door pull-Model U-160 only.....
14206	Switch-Motor toggle switch (S102)....	31760	Screen-Compartment lamp screen-Model U-160 only.....
	PICKUP AND ARM ASSEMBLIES Model U-160	31285	Screen-Dial color screen and light diffuser-Model 916 H.F. only.....
31162	Cable-Pickup arm lift cable clips...	31559	Screen-Dial color screen and light diffuser-Model U-160 only.....
31156	Crystal-Pickup crystal cartridge and needle screw.....	12993	Screw-No. 8-32 x 3/8-in. headless set screw for knob, Stock No. 31713
31159	Pickup and arm complete.....	31287	Shaft-Slide shaft for indicator pointer carriage.....
31160	Screw-Pickup needle screw.....	31364	Socket-Pilot or compartment lamp socket-Model U-160 only.....
31161	Shaft-Pickup pivot arm and shaft assembly.....	31558	Spring-Indicator carriage bumper spring
	SPEAKER ASSEMBLIES Speaker RL76B-1	14270	Spring-Retaining spring for knob, Stock No. 31355
14604	Coil-Hum neutralizing coil (L37).....	31478	Support-Cabinet lid support-Model U-160 only.....
31723	Coil-Speaker field coil (L36).....	31470	Suspension-Motor board suspension springs, screw, and washer (4 required) Model U-160 only.....
31721	Cone-Speaker cone and voice coil (L38)		ANTENNA ASSEMBLIES
5039	Plug-4 contact male plug for speaker.	31426	Counterpoise Line-Additional length 60-ft. long.....
14358	Screw-Cap screw and washer to hold core	12426	Insulator-Strain and counterpoise insulator
31718	Speaker complete.....	9816	Transmission Line-Additional length 60-ft. long.....

Model U-60 Victrola



Alignment Procedure

Steps	Connect the high side of test-osc. to—	Tune test-osc. to—	Turn radio dial to—	Adjust the following for max. peak output
1	6K7 I-F grid cap. in series with .01 mid.	455 kc	"A" band, Quiet Point	L12 and L13 (2nd I-F Trans.)
2	6K8 det. grid cap. in series with .01 mid.	455 kc	between L10 and L11	L10 and L11 (1st I-F Trans.)
3	Antenna Terminal, in series with 400 ohms	20 mc	20 mc (23) "C" band	C21* (osc.) C30** (ant.)
4	Antenna Terminal, in series with 400 ohms	6.1 mc	6.1 mc (31) "B" band	C23 (osc.)†
5	Antenna Terminal, in series with 200 mmf.	1,500 kc	1,500 kc (28½) "A" band	C25 (osc.)

REPLACEMENT PARTS FOR MODEL U-60

Insist on genuine factory tested parts, which are readily identified and may be purchased from authorized dealers.

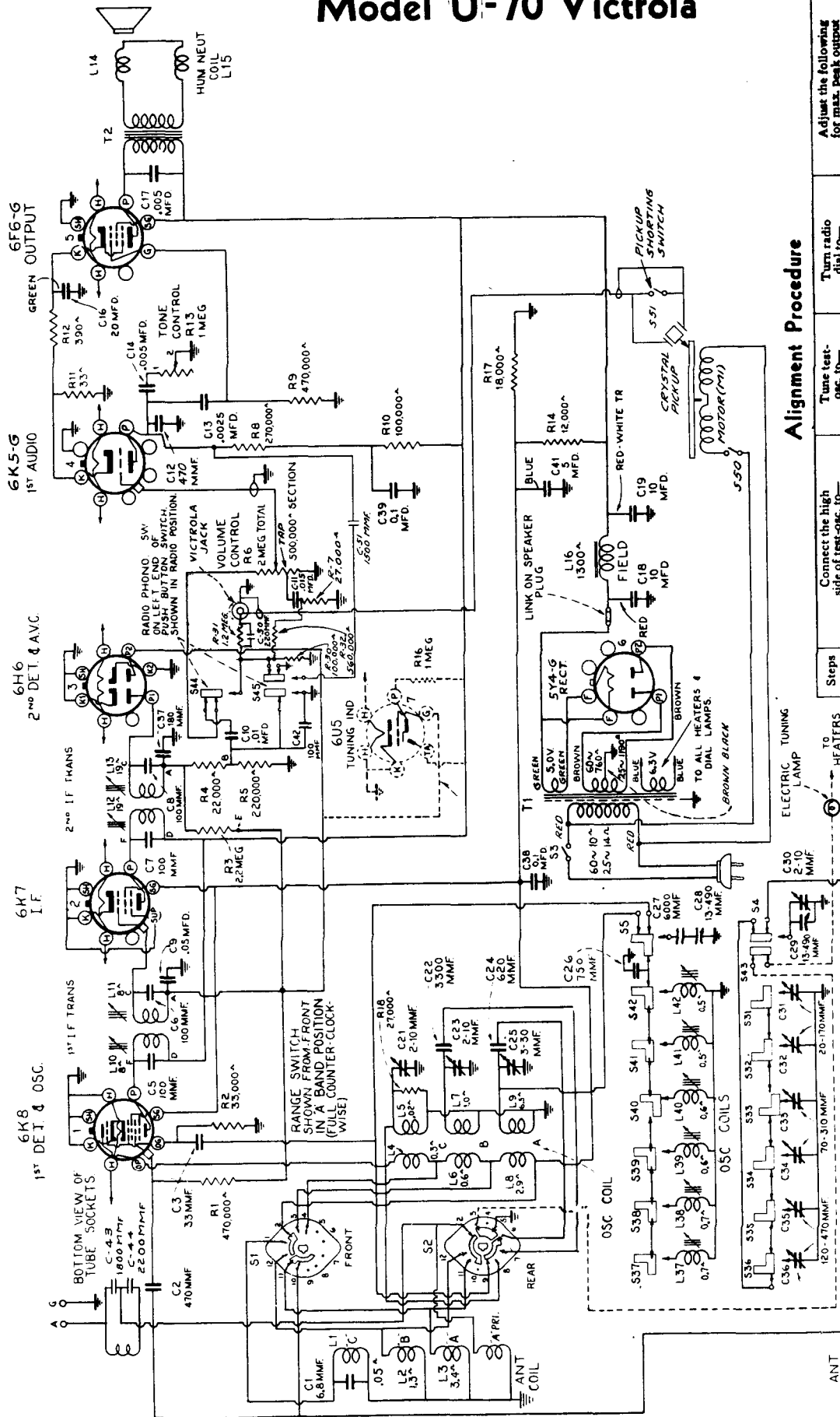
STOCK NO.	DESCRIPTION	STOCK NO.	DESCRIPTION
RECEIVER ASSEMBLIES			
14517	Board-Antenna ground terminal board..	31389	Resistor-12,000 ohms,wire wound, 5 watt (R14).....
31400	Capacitor-Triple adjustable trimmer, two sections 2-10 mmfd. one section 3-30 mmfd. (C21,C23,C25).....	30151	Resistor-18,000 ohms, 1 watt (R17)..
14392	Capacitor-4.7 mmfd. (C1).....	14284	Resistor-22,000 ohms, 1/10 watt (R4)
32486	Capacitor-Antenna trimmer capacitor bank-20-470 mmfd. (C31,C32,C33,C34,C35,C36).....	12738	Resistor-27,000 ohms, 1/4 watt (R7, R18).....
12948	Capacitor-33 mfd. (C3).....	12454	Resistor-33,000 ohms, 1/4 watt (R2)
12720	Capacitor-100 mmfd. (C42).....	14560	Resistor-100,000 ohms,1/4 watt (R10)
12724	Capacitor-120 mmfd. (C12).....	12263	Resistor-100,000 ohms,1/4 watt (R30)
13003	Capacitor-180 mmfd. (C37).....	12264	Resistor-220,000 ohms,1/4 watt (R5)
12694	Capacitor-220 mmfd. (C50).....	12199	Resistor-270,000 ohms,1/4 watt (R8)
30433	Capacitor-470 mmfd. (C2).....	S-1690	Resistor-470,000 ohms,1/4 watt (R1,R9).....
31381	Capacitor-620 mmfd. (C24).....	12486	Resistor-560,000 ohms,1/4 watt (R32).....
31435	Capacitor-750 mmfd. (C26).....	30208	Resistor-1.2 megs.,1/4 watt (R31).
13762	Capacitor-1500 mmfd. (C51).....	12679	Resistor-2.2 megs.,1/4 watt (R3)..
31403	Capacitor-3,300 mmfd. (C22).....	12007	Retainer-Retaining spring for core Stock #S-2293.
31405	Capacitor-6,000 mmfd. (C27).....	14343	Retainer-Retaining spring for station selector knob shaft
5107	Capacitor-.0025 mfd. (C13).....	14887	Retainer-Drive cord pulley retainer
4838	Capacitor-.005 mfd. (C14).....	4669	Screw-No.8-32 square head set screw for drum Stock #31372
4868	Capacitor-.005 mfd. (C17).....		
5148	Capacitor-.007 mfd. (C11).....	31368	Shaft-Station selector knob shaft and pulley.....
14393	Capacitor-.01 mfd. (C10).....	31418	Spring-Indicator or drum drive cord tension spring
4886	Capacitor-.05 mfd. (C9).....	31364	Socket-Dial lamp socket.....
11414	Capacitor-0.1 mfd. (C38).....	14278	Socket-Pickup socket.....
4839	Capacitor-0.1 mfd. (C39).....	31251	Socket-Radiotron socket.....
32485	Capacitor-Comprising two 10 mfd., one 20 mfd.,and one 5 mfd.sections (C16,C18,C19,C41).....	31364	Socket-Dial lamp socket.....
31382	Clip-oscillator coil and core mounting	S-2232	Switch-Range switch (S1,S2).....
S-2233	Coil-Antenna coil-A,B,and C Bands (L1,L2,L3).....	31370	Switch-Station selector push button switch (S4,S5,S31,S32,S33,S34,S36,S35,S37,S38,S39,S40,S41,S42,S43,S44,S45).....
31401	Coil-Oscillator coil-A,B,and C Bands (L4,L5,L6,L7,L8,L9).....	30957	Transformer-First I.F. Transformer (L10,L11,C5,C6).....
31383	Coil-Oscillator coil-"A" band (L41,L42).....	30903	Transformer-Second I.F.Transformer (L12,L13,C7,C8).....
32487	Coil-Oscillator coil-"A" band (L39,L40).....	31445	Transformer-Power transformer 105-125 volts,25 cycle.....
31385	Coil-Oscillator coil-"A" band (L37,L38).....	31380	Transformer-Power transformer 105-125 volts,60 cycle.....
31369	Condenser-2 gang variable tuning condenser (C28,C29,C30).....	S-2153	Trap-Wave trap.....
31366	Control-Volume control,tone control and on-off switch (R6,R13,S3).....	SPEAKER ASSEMBLIES (101069-503)	
31375	Cord-Indicator pointer drive cord....	S-2044	Cap-Dust cap for speaker cone
31374	Cord-Variable condenser drum drive cord.....	S-2019	Coil-Field coil (L16).....
S-2293	Core-Adjustable core and stud for I.F.Transformer.....	S-2280	Coil-Hum neutralizing coil (L15)..
31386	Core-Adjustable core and stud for oscillator coil.....	S-2020	Cone-Speaker cone,voice coil and dust cap (L14).....
31372	Drum-Variable condenser drive drum and scale.....	31302	Plug-4 contact male plug.....
31480	Lamp-Dial lamp.....	S-2281	Speaker-Speaker complete.....
5040	Plug-4 contact female plug for speaker cable.....	S-2282	Transformer-Output transformer (T2).....
31373	Pulley-Indicator drive cord pulley...	S-2294	Bracket-Dial scale mounting bracket and screw assembly.....
S-2263	Reactor-Filter reactor assembly in metal can (L43) 25 cycle.....	31397	Button-Station push button.....
S-2262	Reactor-Filter reactor assembly in metal can (L43) 60 cycle.....	31456	Cover-Protective cover for push button markers.....
14671	Resistor-33 ohms., 1/4 watt (R11)....		
31388	Resistor-390 ohms, 1 watt (R12).....		

REPLACEMENT PARTS FOR MODEL U-60 CONTINUED

Insist on genuine factory tested parts, which are readily identified and may be purchased from authorized dealers.

STOCK NO.	DESCRIPTION	STOCK NO.	DESCRIPTION
31406	Dial-Station selector dial scale..	31040	Mounting-Turntable top-rubber mountings-60 cycle
31395	Escutcheon-Station selector escutcheon-less dial and buttons.	4577	Plug-Motor cable male plug.....
31392	Indicator-Station selector indicator pointer.....	S-2271	Retainer-Turntable top retaining ring, bushing and washer.....
31355	Knob-Range switch knob.....	S-2273	Turntable-Turntable top plate-60 cycle.....
14359	Knob-Station selector knob.....	S-2274	Turntable-Turntable top plate,less metal ring 25 cycle.....
31391	Knob-Tone control knob.....	4083	Washer-Leather spacing washer
30773	Knob-Volume control knob.....	14231	Washer-Metal spacing washer
S-2149	Marker-Station call letter markers for push button.....	31469	Base-Pickup arm pivot shaft and base assembly.....
31458	Marker-"Dial Tuning" marker for push button	31156	Crystal-Pickup crystal cartridge and needle screw.....
31457	Marker-"Victrola" marker for push button	31465	Mounting-Pickup arm mounting assembly comprising rubber grommet, washer,lock washer and nut.....
S-2261	Rivet-Dial color screen mounting rivet	S-2279	Pickup crystal and arm assembly complete.....
31393	Screen-Station selector dial color screen and light diffuser..	31048	Plug-Pickup cable plug.....
14270	Spring-Retaining spring for knobs Stock #31355 and 30773	31160	Screw-Pickup needle screw.....
30330	Spring-Retaining spring for knob Stock #31391		
4982	Spring-Retaining spring for knob Stock #14359		
S-2051	Screwdriver-Aligning screw driver..		
	MOTOR ASSEMBLIES		MISCELLANEOUS ASSEMBLIES
S-2277	Base-Motor support, damper and bearing cup assembly.....	9848	Cup-Needle cup,rest and lid complete.....
31046	Bearing-Motor bearing assembly.....	4573	Plug-Motor cable female plug.....
31041	Cap-Rubber spindle cap	31155	Spring-Needle cup lid tension spring
31047	Cushion-Rubber cushion for bearing.	30100	Spring-Automatic switch trip lever spring
S-2269	Motor-110 volt,60 cycle motor complete with turntable-less mounting bolt assembly.....	S-2267	Switch-Automatic switch complete with trip assembly.....
S-2270	Motor-110 volt,25 cycle motor complete with turntable-less mounting bolt assembly.....	S-2268	Switch-Motor switch (S50).....
S-2291	Mounting-Motor assembly comprising screws,nuts,washers,etc.,sufficient for one motor.....		

Model U-70 Victrola



Alignment Procedure

Steps	Connect the high side of test-osc. to—	Tune test-osc. to—	Turn radio dial to—	Adjust the following for max. peak output
1	6K7 I-F grid cap. in series with .01 mid.	455 kc	"A" band, Quiet Point	L12 and L13 (and I-F Trans.)
2	6K8 det. grid cap. in series with .01 mid.	455 kc	between 500-100 kc	L10 and L11 (1st I-F Trans.)
3	Antenna Terminal, in series with 400 ohms	20 mc	90 mc (23' "C" band)	C31* (osc.) C30** (ant.)
4	Antenna Terminal, in series with 400 ohms	6.1 mc	6.1 mc (31' "B" band)	C28 (osc.)†
5	Antenna Terminal, in series with 200 ohms.	1,500 kc	1,500 kc (284' "A" band)	C26 (osc.)

Figure 4—Schematic Circuit

REPLACEMENT PARTS FOR MODEL U-70

Insist on genuine factory tested parts, which are readily identified and may be purchased from authorized dealers.

STOCK No.	DESCRIPTION	STOCK No.	DESCRIPTION
RECEIVER ASSEMBLIES			
12038	Band-Rubber band for Magic eye tube..	31389	Resistor-12,000 ohms-5 watt(R14).
14517	Board-Antenna-ground terminal board..	30151	Resistor-18,000 ohms-1 watt(R17).
30752	Bracket-Magic Eye bracket and holder.	14284	Resistor-22,000 ohms-1/10 watt(R4)
S-2254	Cable-"Magic Eye" Cable and socket assembly.....	12738	Resistor-27,000 ohms-1/4 watt (R7,R18).....
31400	Capacitor-Triple adjustable trimmer-two sections 2-10 mmfd.one section 3-30 mmfd.....	12454	Resistor-33,000 ohms-1/4 watt(R2)
14392	Capacitor-4.7 mmfd.,(C1).....	14560	Resistor-100,000 ohms-1/4 watt (R10).....
32486	Capacitor-Antenna trimmer capacitor bank 20-470 mmfd. (C31,C32,C33,C34, C35,C36).....	12263	Resistor-100,000 ohms-1/4 watt (R30).....
12948	Capacitor-33 mmfd. (C3).....	12264	Resistor-220,000 ohms-1/4 watt (R5).....
12720	Capacitor-100 mmfd.(C42).....	12199	Resistor-270,000 ohms-1/4 watt (R8).....
12724	Capacitor-120 mmfd. (C12).....	S-1690	Resistor-470,000 ohms-1/4 watt (R1,R9).....
13003	Capacitor-180 mmfd. (C37).....	12486	Resistor-560,000 ohms-1/4 watt (R32).....
12694	Capacitor-220 mmfd. (C50).....	12013	Resistor-1 meg. 1/10 watt (R16)..
30433	Capacitor-470 mmfd. (C2).....	30208	Resistor-1/2 megs., 1/4 watt(R31)
31381	Capacitor-620 mmfd. (C24).....	12679	Resistor-2.2 megs., 1/4 watt(R3).
31435	Capacitor-750 mmfd. (C26).....	12007	Retainer-Retaining spring for Stock No.S-2293
13762	Capacitor-1500 mmfd. (C51).....	14343	Retainer-Retaining spring for station selector knob shaft
31403	Capacitor-3,300 mmfd.(C22).....	14887	Retainer-Drive cord pulley re-tainer
31405	Capacitor-6,000 mmfd.(C27).....	4669	Screw-No.8-32 square head set screw for drum Stock #31372.....
5107	Capacitor-.0025 mfd. (C13).....	31368	Shaft-Station selector knob shaft and pulley.....
4838	Capacitor-.005 mfd. (C14).....	31418	Spring-Indicator or drum drive cord tension spring
4868	Capacitor-.005 mfd. (C17).....	31364	Socket-Dial lamp socket.....
14393	Capacitor-.01 mfd. (C10).....	14278	Socket-Pickup socket.....
11315	Capacitor-.015 mfd. (C11).....	31251	Socket-Radiotron socket(8 prong).
4886	Capacitor-.05 mfd. (C9).....	31365	Socket-"Electric tuning" indicator lamp socket.....
11414	Capacitor-0.1 mfd. (C38).....	S-2232	Switch-Range switch (S1,S2).....
4839	Capacitor-0.1 mfd. (C39).....	31370	Switch-Station selector push button switch (S4,S5,S31,S32,S33, S34,S35,S36,S37,S38,S39,S40,S41, S42,S43,S44,S45).....
32485	Capacitor-Comprising two 10 mfd. one 20 mfd., and one 5 mfd.sections (C16, C18,C19,C41).....	30957	Transformer-First I.F.Transformer (L10,L11,C5,C6).....
31382	Clip-Oscillator coil and core mounting clip	30903	Transformer-Second I.F.Transformer (L12,L13,C7,C8).....
S-2233	Coil-Antenna coil "A", "B" and "C" Bands (L1,L2,L3).....	31445	Transformer-Power Transformer 105-125 volts,25 cycles.....
31401	Coil-Oscillator coil "A", "B" and "C" Bands (L4,L5,L6,L7,L8,L9).....	31380	Transformer-Power transformer 105-125 volts,60 cycles.....
31383	Coil-Oscillator coil "A" Band (L41, L42).....	S-2153	Trap-Wave trap.....
32487	Coil-Oscillator coil "A" Band (L39, L40).....	SPEAKER ASSEMBLIES (RL70H-1)	
31385	Coil-Oscillator coil "A" Band (L37, L38).....	13866	Cap-Dust cap for speaker cone
31369	Condenser-2 gang variable tuning condenser (C28,C29,C30).....	12012	Coil-Field coil (L16).....
31366	Control-Volume control,tone control and on-off switch (R6,R13,S3).....	11469	Coil-Hum neutralizing coil (L15).
31375	Cord-Indicator pointer drive cord....	31275	Cone-Speaker cone and voice coil (L14).....
31374	Cord-Variable condenser drum drive cord.....	31302	Plug-4 contact male plug.....
S-2293	Core-Adjustable core and stud for I.F. Transformer.....	31592	Speaker-Speaker complete.....
31386	Core-Adjustable core and stud for oscillator coil.....		
31372	Drum-Variable condenser drive drum and scale.....		
31480	Lamp-Dial lamp.....		
5040	Plug-4 contact female plug for speaker cable.....		
31373	Pulley-Indicator drive cord pulley..		
14671	Resistor-33 ohms. 1/4 watt (R11).....		
31388	Resistor-390 ohms-1 watt (R12).....		

REPLACEMENT PARTS FOR MODEL U-70 CONTINUED

Insist on genuine factory tested parts, which are readily identified and may be purchased from authorized dealers.

STOCK NO.	DESCRIPTION	STOCK NO.	DESCRIPTION
14358	Screw-Screw, washer and lockwasher to hold core in yoke		MOTOR ASSEMBLIES
14355	Transformer-Output transformer(T2).	S-2285	Damper-Turntable damper plate and sleeve.....
14357	Washer-Spring washer to hold field coil	31461	Motor-110 volt-60 cycle motor complete (M1).....
	MISCELLANEOUS ASSEMBLIES	31724	Motor-110 volt-25 cycle motor complete (M1).....
S-2294	Bracket-Dial scale mounting bracket and screw assembly complete.....	S-2286	Mounting-Motor mounting assembly of bracket, screws, spacer and lockwashers (60 cycle only).....
31397	Button-Station push button.....	S-2287	Mounting-Motor mounting assembly of bracket, screws, spacer and lockwashers (25 cycle only).....
31456	Cover-Protective covers for push button markers.....	4577	Plug-Motor cable male plug.....
31591	Dial-Station selector dial scale....	31463	Turntable-Motor turntable.....
31543	Disc-"Electric Tuning" indicator disc.....		PICKUP AND ARM ASSEMBLIES
31395	Escutcheon-Station selector escutcheon less dial scale and push buttons.....	31469	Base-Pickup arm pivot shaft and base assembly.....
31407	Escutcheon-"Magic Eye" and "Electric Tuning" indicator escutcheon.	31156	Crystal-Pickup crystal cartridge and needle screw.....
31392	Indicator-Station selector indicator pointer.....	31465	Mounting-Pickup arm mounting assembly comprising rubber grommet, washer, lockwasher and nut.....
31355	Knob-Range switch knob.....	31468	Pickup-Pickup crystal and arm assembly complete.....
14359	Knob-Station selector knob.....	31048	Plug-Pickup cable plug.....
31391	Knob-Tone control knob.....	31160	Screw-Pickup needle screw.....
30773	Knob-Volume control knob.....		MISCELLANEOUS ASSEMBLIES
S-2183	Marker-Station call letter markers for push buttons.....	9848	Cup-Needle cup, rest and lid complete.....
31460	Marker-"Dial Tuning" marker for push button	4573	Plug-Motor cable female plug.....
31459	Marker-"Victrola" marker for push button	31155	Spring-Needle cup lid tension spring
S-2261	Rivet-Dial color screen mounting rivet	30100	Spring-Automatic switch latch springs
31393	Screen-Station selector dial color screen and light diffuser.....	S-2278	Switch-Automatic switch complete with trip assembly.....
14270	Spring-Retaining spring for knobs Stock No. 31355 and 30773	S-2268	Switch-Motor switch (S-50).....
30330	Spring-Retaining spring for knob Stock No. 31391		
4982	Spring-Retaining spring for knob Stock No. 14359		
S-2051	Screw Driver-Aligning screw driver.		



RCA Victor

GENERAL RECEIVER ALIGNMENT

INTRODUCTION

For convenience and brevity, RCA Victor Alignment Procedure is being presented in tabular form as a part of the Service Data supplied in this manual for each radio receiver. It is essential that these instructions be rigidly adhered to and all adjustments made in the order listed. The brief instructions which are included with the schematic diagrams are supplemented in the following general discussion.

Part 1—Superheterodyne—I-F Alignment.

Every superheterodyne receiver uses an intermediate-frequency (i-f) amplifier having characteristics which largely govern the selectivity of the receiver. The i-f amplifier characteristics are determined principally by the design and adjustment of the i-f transformers. It is, therefore, necessary that the i-f amplifier be correctly adjusted to provide a symmetrical selectivity curve. These adjustments may be in the form of movable magnetite cores placed within the coils or adjustable trimmers connected across the coils. During alignment, it is necessary only to adjust these magnetite cores or trimmers, to obtain the best operation.

In some receivers, a quartz-crystal filter is included as part of the i-f amplifier system. In such designs, the crystal provides far greater selectivity than is otherwise available. During alignment of such an i-f amplifier, the most important point is to align the i-f amplifier transformers to exactly the natural periodic frequency of the crystal.

Some receivers use a double i-f amplifier. This consists of two i-f channels whose inputs are in parallel. One channel (usually the more selective of the two) amplifies the signal and feeds into the second detector. The other channel feeds the a-v-c tube. It is important that both channels be aligned to exactly the same frequency. The output indicator or Cathode Ray Oscilloscope, as the case may be, must be connected to the channel under alignment.

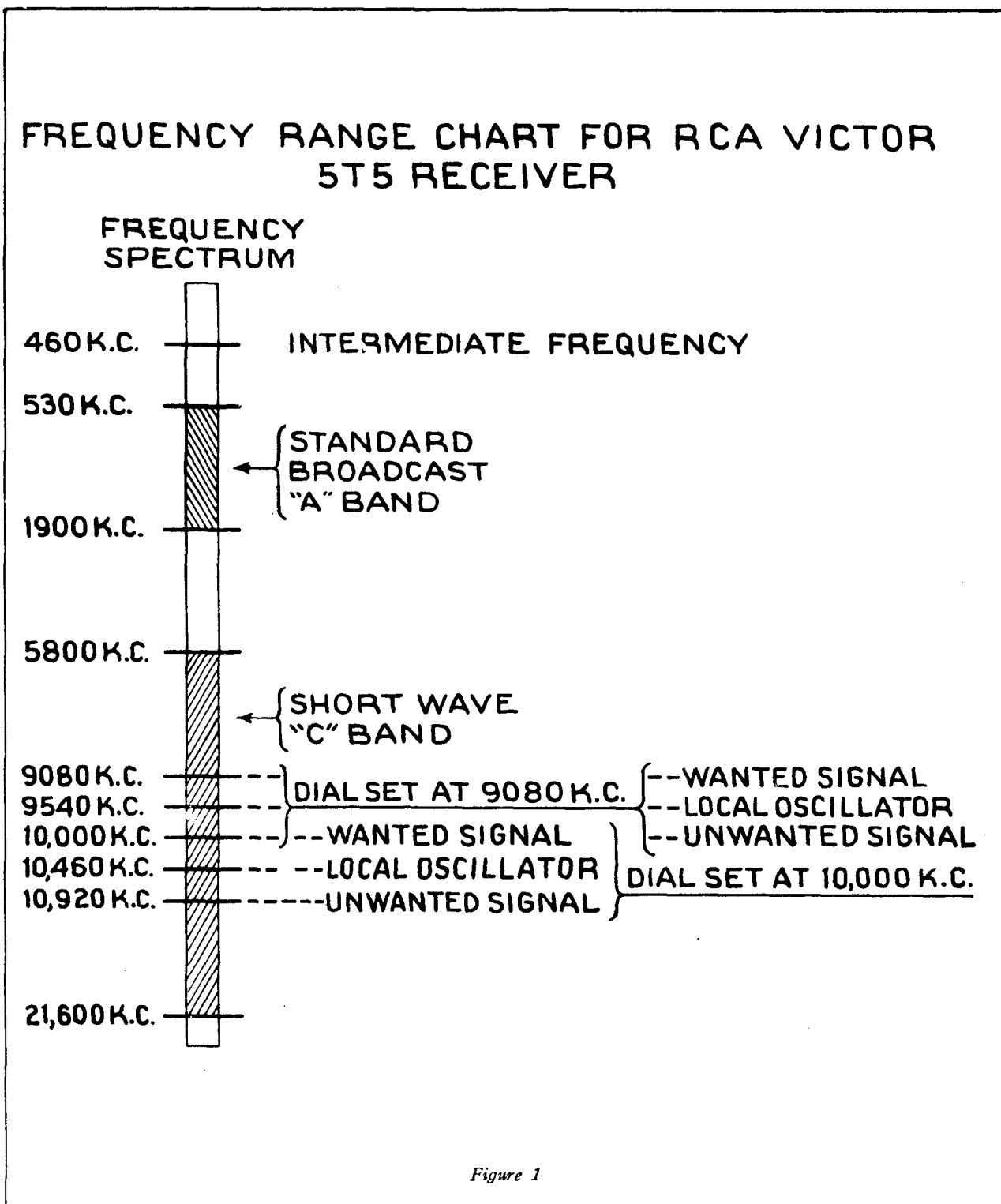
Parts 19 and 20 describe the use of RCA Stock No. 9595 Test Oscillator (TMV-97-C) and RCA Stock No. 9558 Frequency Modulator (TMV-128-A) and tell how to find the correct Test Oscillator dial setting with Frequency Modulator plugged in, for any specified alignment frequency. This calibration, when made on an i-f amplifier, should always be made on one that does not have a flat-topped or double-peaked characteristic. Once this calibration is found, the test equipment will produce accurate results when used to align either flat-topped or double-peaked i-f amplifiers.

Some receivers employ automatic-frequency-control (a-f-c) circuits. Such receivers require very accurate alignment of these circuits before the a-f-c "pull-in" action will be correct and equal on both sides of the signal being received. The schematic diagram covering such receivers gives the procedure for making these adjustments.

Part 2—R-F Alignment. Image Response.

Every superheterodyne receiver incorporates a local oscillator, the output of which mixes with the incoming signal from the antenna. The local oscillator does not operate at the same frequency as the incoming signal which is to be received. The acceptance (resonant) frequency of the i-f amplifier establishes the difference frequency required; 175 kc and 460 kc are commonly used. In most RCA Victor receivers the local oscillator operates at a frequency higher than the incoming signal frequency. However, on certain bands of some receivers, the oscillator operates at a frequency lower than the incoming signal frequency. When the local oscillator output mixes with the incoming signal, the two predominating resultant frequencies produced are the *sum* and the *difference* of the two frequencies. Most superheterodyne receivers are designed in such a way that the *difference* frequency is the same as the i-f amplifier resonant frequency. Modulation of the incoming signal will be present as modulation of input to the i-f amplifier.

Figure 1 shows the frequency-range chart for the RCA Victor Model 5T5 receiver. The intermediate frequency is 460 kc. The A band range is 530 kc to 1,900 kc. The C band range is 5,800 kc to 21,600 kc. The design is such that the local oscillator in the receiver operates at a frequency higher than the incoming signal frequency. Let us consider the case of an incoming signal at a frequency of 10,000 kc with the receiver tuned to this frequency. The local oscillator is now operating at 10,460 kc to produce a difference frequency of 460 kc, which is the resonant frequency of the i-f amplifier. An unwanted signal at 10,920 kc will also be accepted by the i-f amplifier since this particular frequency also differs from the frequency of the local oscillator by 460 kc. Thus, it is possible to receive two signals of different frequencies at the same dial setting. Likewise, if the radio receiver is tuned to a frequency of 9,080 kc, the local oscillator will produce a 460 kc beat with the original wanted signal which was at 10,000 kc. Therefore, it is possible to receive a given signal at two different settings of the receiver dial. This unwanted signal is known as the image, and in all superheterodyne receivers exists at a frequency which differs from the wanted signal frequency by twice the intermediate frequency. Image response depends upon many things in-



herent in the receiver design such as number of tuned circuits, degree of coupling, shielding, etc.

When aligning the short-wave band of a receiver, the oscillator trimmer usually has sufficient range so the local oscillator can be tuned over rather wide limits. It is thus often possible to tune the local oscillator to either a higher or lower frequency than the incoming signal. The receiver alignment informa-

tion supplied with the schematic diagram specifies which of these settings to use. It is important that the correct oscillator-trimmer setting be employed; otherwise the receiver sensitivity will be below normal over some portions of that particular band since the tuned circuits will not track.

Some receivers employ "band-spread" circuits as an aid to short-wave reception. Such circuits spread

short-wave stations further apart on the dial than is usual for the standard-broadcast band. Because of this fact, a slight error in dial calibration will be very noticeable and may result in a portion of the short-wave broadcast band not falling within the tuning range of the receiver. Alignment of such short-wave bands requires greater accuracy of calibration than can usually be obtained with test equipment now in general use for radio service work. Sufficient accuracy for alignment of such bands requires special alignment procedure which is covered in the Service Data for these receivers. Where reception conditions permit, it is satisfactory to tune in a short-wave station of known frequency falling within the frequency range of the particular band under alignment, and then make alignment adjustments to that particular band until the receiver has maximum sensitivity and correct dial calibration.

Part 3—Usual Effects of Misalignment of R-F or I-F Stages.

The most commonly observed effects of misaligned r-f or i-f stages are loss of sensitivity; either over the entire receiver range, or on certain bands, or a portion of certain bands; loss of selectivity, often characterized by the selectivity being noticeably unequal on the two sides of the point of best reception; inaccurate dial readings; and change in fidelity of the receiver. Loss of fidelity will be apparent as change of audio-characteristic balance with either high- or low-audio frequencies being reduced. If the i-f amplifier is not tuned to the specified frequency, the oscillator and other tuned circuits will not track. The dial readings will then be incorrect and portions of all bands will have low sensitivity. Misaligned i-f amplifiers in receivers using a-f-c circuits will usually result in incorrect or unequal "pull-in" action.

Part 4—Preliminaries to Alignment.

Before the various aligning adjustments are made, the radio receiver should be functioning normally in all other respects. Trouble-shooting, if necessary, should precede the final alignment.

Receiving signals at the correct setting of the dial scale depends upon having the proper relation between tuning condenser setting and dial scale. There will usually be a mark at the low-frequency end of the scale for pointer setting with the condenser fully meshed. The adjustment is made by rotating the pointer to the desired position with the shaft stationary, or in some cases by moving the scale, shifting a stationary index, or other relative change. It is important that this be checked before alignment of the separate bands. Pointer or dial setting is necessary because the scales are not linear with frequency and all scales are pre-calibrated for maximum accuracy.

Part 5—Connection of Test Oscillator to Radio Receiver. Use of Dummy Antenna.

The radio receiver ground terminal should usually be connected to the "o" or "Gnd." terminal of the Test Oscillator and preferably also connected to an external ground. The "Ant." or "High" terminal of the Test Oscillator output must be connected to the antenna post or other points in the radio receiver as specified in Alignment Procedure. The use of a fixed condenser, or resistor, in series with this Test Oscillator lead, is specified in some instances. Such a condenser or resistor, known as a "Dummy Antenna," provides the proper input loading to the receiver. The condenser or resistor, as the case may be, should be connected at the point where the Test Oscillator lead joins the radio set, and should not be connected at the Test Oscillator. Grid caps should be left connected to the tubes to provide d-c bias unless otherwise specified. In any case that requires removal of the grid cap, the "Dummy Antenna" will consist of a resistor. Shielded leads should be used; RCA Stock No. 9797 Cable Assembly is a convenient set of such leads for all these connections.

When the Test Oscillator is connected to the grid circuit of the first-detector tube (usually for alignment of the first i-f transformer) it is often necessary to set the receiver range switch to the "A band" (standard broadcast) position in order to get sufficient signal from the Test Oscillator into the i-f amplifier to permit proper alignment.

RCA Test Oscillators have rather low-impedance output circuits. When using some other types of Oscillators, which have high-impedance output circuits, to align high-gain i-f amplifiers, there is a possibility of i-f regeneration. If such is the case, the resonance curve will be unusually narrow in width and high in amplitude. This condition can be eliminated by shunting a 200-ohm resistor directly across the Oscillator output terminals. If the Oscillator output controls are calibrated in terms of voltage output, this resistor will, of course, change the calibration.

Part 6—Connections of Output Meter to Radio Receiver.

The RCA Stock No. 4317 (TMV-121-A) Neon Output Indicator or any one of many different types of Output Meters can be employed during alignment. Such indicators, or meters, should be connected across either the primary or secondary of the output transformer. It is best to leave the loudspeaker voice coil connected to the radio receiver when using an Output Meter. In general, the RCA Output Indicator gives best results when connected across the voice coil of the loudspeaker, although on some types of receivers it will give satisfactory results when connected to the primary of the output transformer.

Part 7—Connections of Cathode Ray Oscillograph to Different Types of Second-Detector Circuits.

Figures 2, 3, and 4 show, in simplified form, the three most commonly used second-detector circuits. Figure 2 shows a diode-detector circuit. Figure 3 shows a power detector resistance-capacitance coupled to the audio amplifier. Figure 4 shows a power detector using impedance-capacitance or transformer coupling to the audio amplifier. For simplicity, only the essential elements in these circuits are shown. On

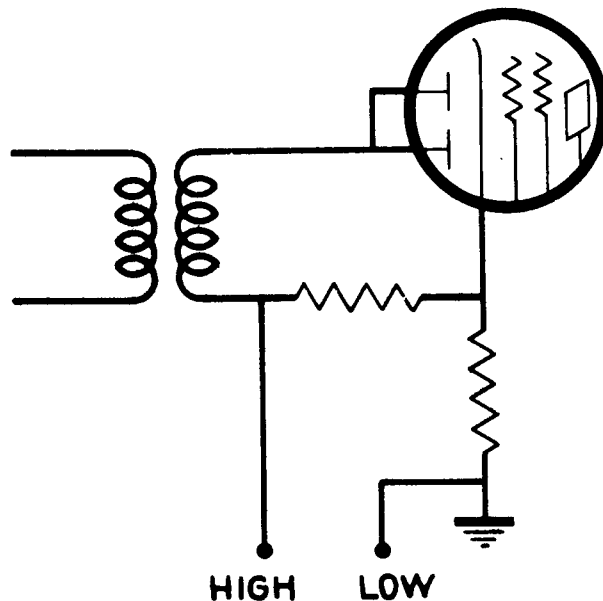


Figure 2

RECEIVER ALIGNMENT

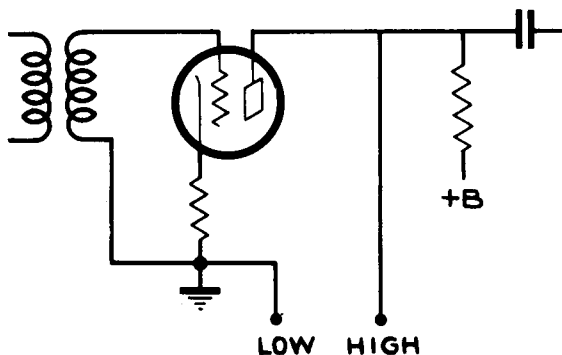
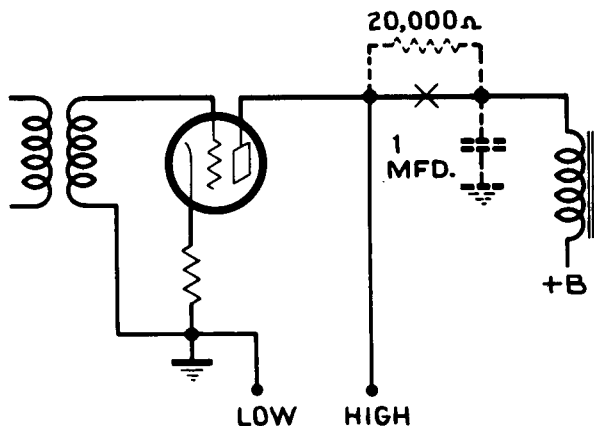


Figure 3



Open plate circuit at point marked "X". Connect resistor and condenser as shown by dotted lines

Figure 4

each of the three diagrams, points of connection are indicated by "Low" and "High." The "Low" point should be connected to the "0" or "Gnd" Cathode Ray Oscillograph terminal; the "High" point should be connected to the vertical "High" terminal.

Part 8—Aligning the Tuned Circuits.

Tuning adjustment with trimmers or adjustable magnetite cores is accomplished while applying a modulated signal, of the specified frequency, to the input of the stage being adjusted. Either Oscillograph or Output Meter indication, of the amplitude of audio-frequency output, of the radio receiver, shows when tuning is correct. In some cases, the Oscillograph also shows the selectivity characteristic. The various tuned circuits are aligned by adjusting each in this manner. During all alignment adjustments, the output of the Test Oscillator must be kept as low as possible to prevent a-v-c action from taking place and making all adjustments seem very broad.

The tool used for tuning must have a minimum of metal so it will cause little or no tuning reaction. If removing the tool, after making an adjustment, reduces the output appreciably, a slight compensating mistuning will correct the error and produce maximum output when the tool is removed. Sometimes fine adjustments of mica compression trimmers can be made easily by tapping the trimmer screw with a wooden rod.

Part 9—Rocking Adjustments in Alignment.

Provision is usually made in the oscillator circuits of superheterodynes for a tracking adjustment at the low-frequency end of X and A bands. This consists of a variable oscillator-trimming condenser or magnetite core. Tuning frequencies specified in the Alignment Procedure Table for making these adjustments should be followed carefully because the design of the tuned circuits is such that only this procedure will produce correct dial calibration. For maximum sensitivity at the low-frequency end of the band, this should be a rocking adjustment. To make a rocking adjustment, change the setting of the specified oscillator trimmer slightly, then tune the gang condenser for maximum output regardless of dial setting, and note the exact reading of the output indicator. Next, repeat this procedure and note if the output reading so obtained is greater, or less, than the first one. If the second reading is greater than the first, continue this process while changing the oscillator-trimmer adjustment in the same direction until the highest possible output reading is obtained. If the second reading is less than the first, continue this process while changing the oscillator-trimmer adjustment in the opposite direction until the highest possible output reading is obtained.

When using a frequency-sweeping device and Cathode Ray Oscillograph connected to show the resonance curve of the circuit being aligned, rocking is unnecessary because the final result is the same regardless of whether a receiver is sweep-tuned about a fixed Test Oscillator frequency or a Test Oscillator sweep-tuned about a fixed receiver frequency.

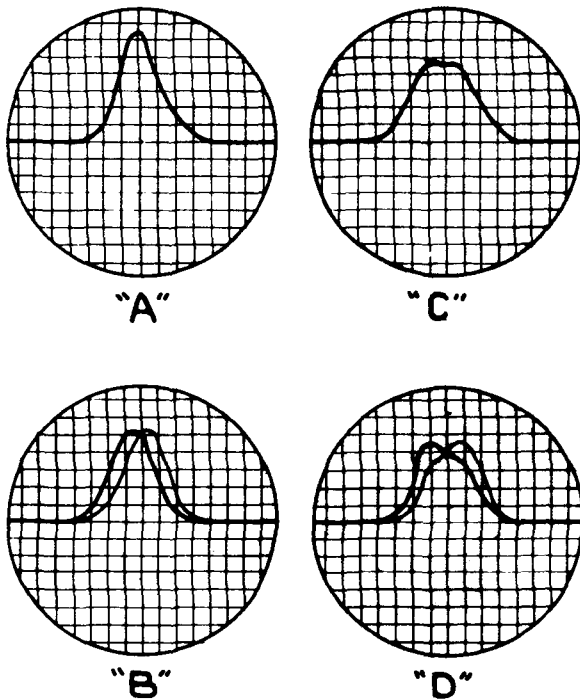
In such cases, adjustment should be made for maximum amplitude of the resonance curves. In some receivers, the same maximum amplitude is obtainable throughout part of the trimmer adjustment range. When such is the case, the maximum amplitude setting which produces most accurate dial calibration should be used.

The dial setting so obtained will ordinarily be close to correct. This procedure increases the receiver sensitivity by effectively tuning the local oscillator circuit simultaneously with the r-f and first-detector stages at the low-frequency end of the band. Simultaneous adjustment is necessary to maintain correct tracking. An adjustment at the low-frequency end of a band should be followed by readjustment at the high-frequency end because each tuning adjustment affects the other.

Alignment at high frequencies (above broadcast-band frequencies) can sometimes be improved by similar rocking. This becomes effective when there is interaction among the various tuned circuits. In such cases, it is preferable to adjust the local-oscillator trimmer first, and then adjust the r-f and first detector trimmers while rocking. When the interaction is particularly bad, repeating these adjustments several times will often produce an increase in sensitivity.

Part 10—Frequency Sweeping in I-F Amplifier Alignment.

Many i-f amplifiers have a sharp, single-peak selectivity characteristic because i-f coupling transformers are under-coupled. When improved fidelity is desired, i-f coupling transformers may be over-coupled with the result of a flat-topped selectivity characteristic and extended high-frequency audio range. Some i-f amplifiers do employ over-coupling and have, therefore, a double-peaked or flat-topped selectivity characteristic. Any amplitude indicating device such as RCA Stock No. 4317 Neon Output Indicator (TMV-121-A) or any conventional output meter can be used when aligning i-f amplifiers having single-peaked characteristics. A more satisfactory method using a frequency-sweeping device and Cathode Ray Oscillograph is desirable in any case and necessary for double-peaked or flat-topped characteristics. The frequency-sweeping alignment method makes it possible to tune the mid-frequency point of the flat-topped or double-peaked characteristic to the desired alignment frequency, and maintain practically symmetrical side-bands. It is also of great value in checking an i-f amplifier having a variable-width selectivity characteristic. If the intermediate frequency is 460 kc and the sweep range 20 kc, the sweeping device varies



- A—Correct pattern showing a sharp selectivity curve with proper i-f alignment.
- B—Incorrect pattern showing result of i-f alignment at a frequency slightly different from the Test Oscillator output frequency.
- C—Correct pattern showing a broad selectivity curve with proper i-f alignment.
- D—Incorrect pattern showing result of slight misalignment of i-f transformers.

Figure 5

the Test Oscillator output frequency from 450 kc to 470 kc and back to 450 kc linearly with time. The cycle is repeated so rapidly that a Cathode Ray Oscillograph connected to the second detector of the receiver, when properly synchronized, shows two selectivity curves—one like the mirror image of the other. Figure 5 shows these patterns as they appear on the oscillograph screen. The i-f amplifier alignment is correct when the two images are made to coincide throughout and have maximum amplitude.

Part 11—Use of Crystal Calibrator to Check Calibration of Test Oscillators.

One of the easiest methods of checking the calibration of a Test Oscillator against the RCA Stock No. 9572 Crystal Calibrator (TMV-133-A) requires the use of an all-wave radio receiver which will tune to the frequencies at which it is desired to check calibration. A few turns of wire should be wrapped around the case of the Crystal Calibrator and connected to the antenna and ground posts of the radio receiver. The Crystal Calibrator may be used, as supplied by the factory, without external B batteries, and is simply plugged into the power line in the usual way. Hum signals will now be heard in the radio receiver at dial settings 100 kc or 1,000 kc apart, depending on the position of the "Hi-Lo" switch on the Crystal Calibrator. If, for example, it is desired to check a calibration at 5,000 kc, set

the "Hi-Lo" switch to the "Hi" position and tune the radio-receiver dial exactly to its fifth harmonic (5,000 kc) signal. Next, remove the Crystal Calibrator and connect the Test Oscillator to the radio receiver, and tune the Test Oscillator dial in the region of 5,000 kc until its signal is heard with maximum intensity in the receiver. At this point the Test Oscillator is delivering a signal of exactly 5,000 kc. A notation should now be made of the dial scale reading on the Test Oscillator and marked that this particular reading represents exactly 5,000 kc. This same procedure may be followed to find exact calibration for any frequency which is a multiple of 100 or 1,000 kc.

To check the Test Oscillator at frequencies which are not multiples of 100 or 1,000 kc, tune the receiver to a frequency which is a harmonic of the wanted check point on the Test Oscillator and which falls on some multiple of 100 or 1,000 kc. Suppose it is desired to check at 175 kc. The Test Oscillator dial is set to 175 kc and its fourth harmonic, which is 700 kc, is checked—using the Crystal Calibrator and radio receiver as outlined above.

Part 12—Wave-Trap Adjustment.

Wave-traps may consist of either a parallel-resonant circuit in series with the antenna of the receiver, or a series-resonant circuit connected from antenna to ground. They will be found in many RCA Victor receivers, especially following the models of 1935. The resonant frequency of the wave-trap is adjusted during manufacture to the same frequency as the i-f amplifier, to prevent signals at or near this frequency from causing interference.

When aligning a receiver, the wave-trap should always be adjusted to the same frequency as the i-f amplifier unless the exact frequency of the local interfering signal is known. In this case the wave-trap should be adjusted exactly to this interfering frequency. To make this adjustment, it is necessary to increase the Test Oscillator output considerably, since the wave-trap attenuates the signal. However, care must be taken not to use too strong a signal as this would cause a-v-c action in the receiver and make the wave-trap appear to tune broadly.

Part 13—Tuning Wand.

The RCA Stock No. 6679 Tuning Wand is very useful in checking any tuned circuit during alignment. When the test equipment is connected ready for aligning, insert first one end and then the other, of the tuning wand, inside the coil to be checked and observe the effects of each on the receiver output. If each end of the tuning wand produces a decrease in output, the circuit is correctly tuned and needs no further adjustment. If the brass sleeve end of the tuning wand produces an increase of output, the circuit must be retuned to a higher frequency; and if the iron core end of the tuning wand produces an increase of output, the circuit must be retuned to a lower frequency.

Both r-f and i-f circuits are usually tuned by either magnetite cores or trimming condensers.

**RECEIVER
ALIGNMENT**

Part 14—RCA Alignment Equipment.

- Stock No. 9595 Test Oscillator—TMV-97-C.
- Stock No. 9558 Frequency Modulator—TMV-128-A.
- Stock No. 9545 Cathode Ray Oscillograph—TMV-122-B.
- Stock No. 9572 Crystal Calibrator—TMV-133-A.
- Stock No. 150 Test Oscillator.
- Stock No. 151 Cathode Ray Oscillograph.
- Stock No. 4317 Neon Output Indicator—TMV-121-A.
- Stock No. 9797 Cable Assembly.
- Stock No. 12636 Air-Trimner Wrench.
- Stock No. 11890 Fibre Screw Driver.
- Stock No. 6679 Tuning Wand.
- Stock No. 4160 Aligning Wrench.
- Stock No. 3792 Resistor, 300 ohms.
- Stock No. 12635 Capacitor, .001 mf.
- Stock No. 12694 Capacitor, 220 mmf.

(This capacitor is suitable for use wherever a capacitor of 200 mmf. is specified in alignment procedure.)

- Stock No. 12270 Capacitor, 80 mmf.

NOTE: When using the RCA Stock No. 12636 Air-Trimner Wrench, care must be taken not to disturb the adjustment of the Air-Trimner Capacitor while tightening its lock nut. The lock nut should be tightened while the test equipment is still connected to the radio receiver, so that any change in capacity which might result from the tightening will be immediately observed. The chassis should not be moved until the lock nuts are tightened.

The instruction books supplied with RCA test equipment such as Cathode Ray Oscillographs, Test Oscillators, Frequency Modulators, Crystal Calibrators, etc., describe the construction and operation of these instruments and will be found very helpful.

The following publications contain valuable information relative to receiver alignment and will be found helpful. Obviously, the list is not inclusive, but it will guide the reader to other references.

GHIRARDI, ALFRED A., *Modern Radio Servicing*. Radio and Technical Publishing Co., New York.

RIDER, JOHN F., *The Cathode-Ray Tube at Work*. John F. Rider, Publisher, New York.

Part 15—Connecting and Operating Different Combinations of RCA Test Equipment for Aligning.

Below are shown connection diagrams for different combinations of RCA Test Equipment, any of which can be used to align RCA Victor receivers (and also other types). In using any of these combinations, connect the test equipment as shown in the diagram and adjust it to the frequency specified with the schematic diagram in this manual, then adjust the receiver trimmers or magnetite cores, as the case may be, in the manner prescribed.

Below each of the following connection diagrams will be found data on how to adjust and operate the test equipment.

Part 16—Use of RCA Stock No. 150 or RCA Stock No. 9595 Test Oscillator (TMV-97-C) and RCA Stock No. 4317 Neon Output Indicator.

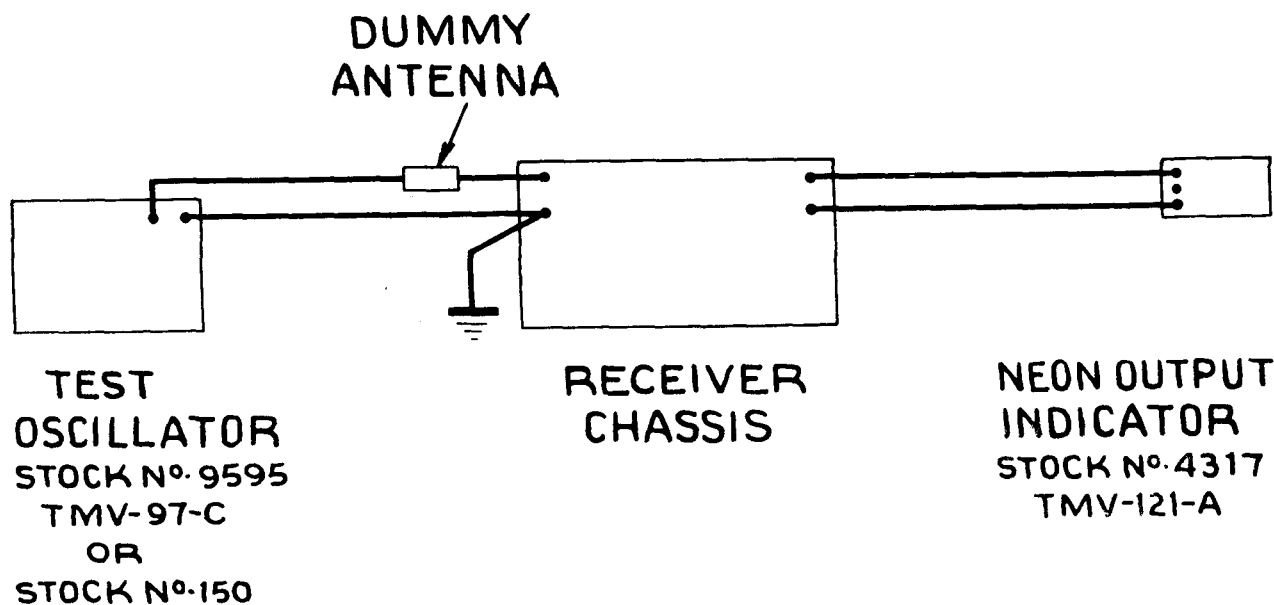


Figure 6

When using the RCA Stock No. 9595 Test Oscillator (TMV-97-C), or RCA Stock No. 150 Test Oscillator, and RCA Stock No. 4317 Neon Output Indicator (TMV-121-A), make connections to receiver chassis and Dummy Antenna.

Such connections are shown in figure 6 and described in Parts 5 and 6 above.

Part 17—Use of RCA Stock No. 150 Test Oscillator and RCA Stock No. 151 Cathode Ray Oscillograph.

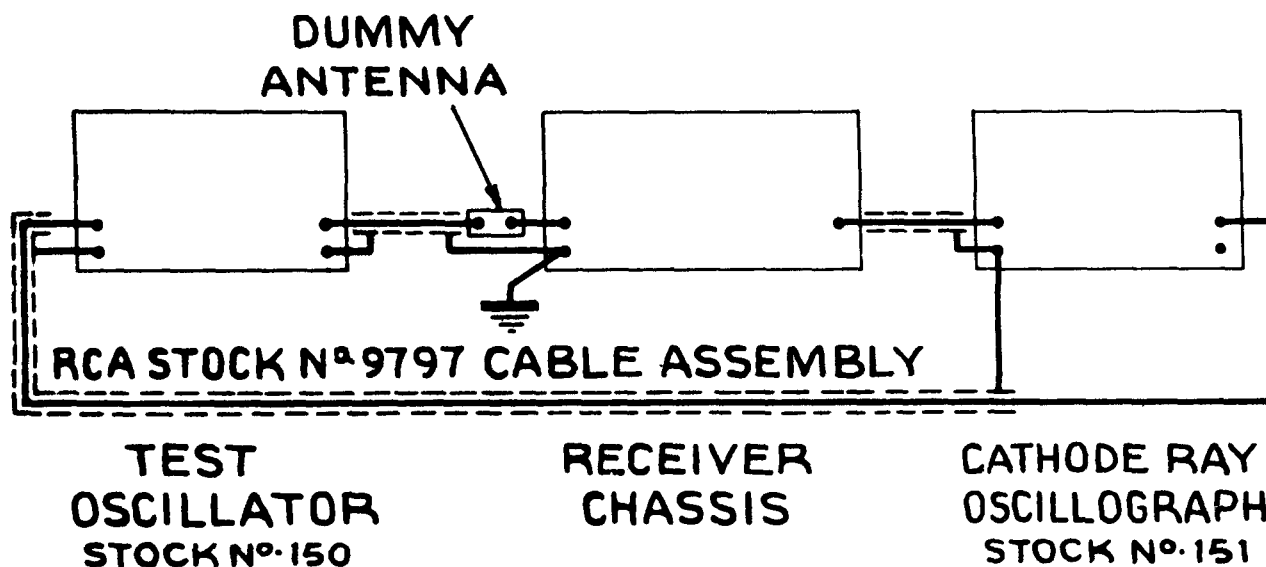


Figure 7

When using the RCA Stock No. 150 Test Oscillator and RCA Stock No. 151 Cathode Ray Oscillograph, make connections to receiver chassis and Dummy Antenna. Connect the test equipment as shown in figure 7, and adjust it as follows:

Test Oscillator:

- SWEEP KC—Between 20 and 40.
- DIAL—Specified alignment frequency.
- RANGE KC—Range within which specified frequency falls.
- POWER switch—ON.
- MODULATION switch—FREQ.
- Output controls FINE and COURSE—Low as possible and still keep screen filled with image.

Cathode Ray Oscillograph:

- INTENSITY } Adjust to give clear, sharply
- FOCUS } defined image on screen.
- CENTERING—V } Adjust to center image
- CENTERING—H } on screen.
- AMP. V switch—ON.
- AMP. H switch—TIMING.
- GAIN (under intensity control)—Maximum clockwise.
- FREQUENCY—Approximately 55.
- SYNC. control—Approximately two-thirds clockwise.
- RANGE—1.
- GAIN (under focus control)—Approximately 65.

Two separate, distinct, and similar waves should now appear on the screen. If only one wave appears, increase the "Frequency" control on the Oscillograph to obtain two waves. These waves will be identical in shape, totally disconnected, and appear in reversed positions. They will have a common base line which is discontinuous. Adjust the "Frequency" and "Sync." controls of the Oscillograph to make them remain motionless on the screen. Turning the Test

Oscillator dial slightly should cause them to move back and forth across the screen. However, before making any alignment adjustments, the Test Oscillator dial must be adjusted to the specified alignment frequency.

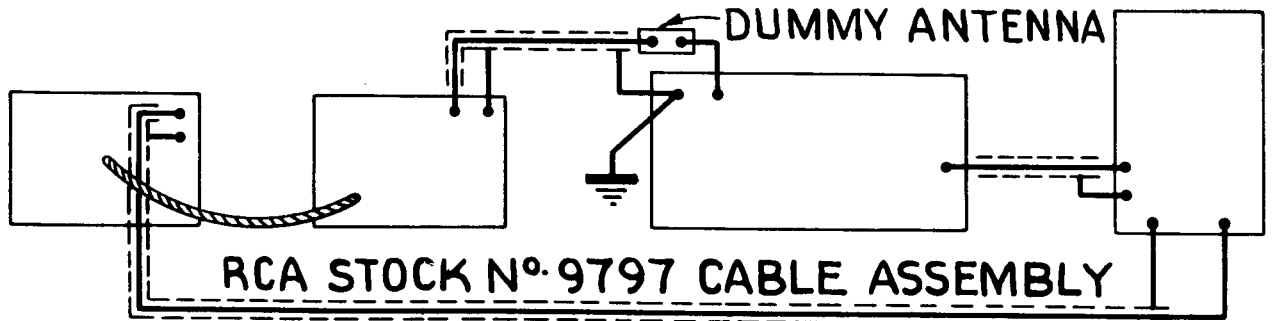
The circuit being aligned (to which the Test Oscillator output was originally connected) must now have its trimmers or magnetite cores adjusted so that the two waves on the Oscillograph screen coincide throughout and have maximum amplitude.

In most receivers, the trimmer which tunes the local oscillator for the high-frequency band (usually around 12,000 kc and higher) has sufficient capacity to tune it over a rather wide range of frequencies. The RCA Stock No. 150 Test Oscillator, because of its beat-frequency principle, produces on the two high-frequency bands (frequencies from 7,000 kc to 32,000 kc) the frequency to which the dial is calibrated and also another frequency 1,600 kc lower. Thus, it is sometimes possible to produce the desired resonance curve on the screen at four different settings of the receiver's local-oscillator trimmer. Two of these points represent the correct tuning, and the image, for the frequency of the Test Oscillator shown on its dial. The other two represent the correct tuning, and the image for the additional frequency coming from the Test Oscillator which is 1,600 kc lower than the one shown on its dial. When this condition exists, the local-oscillator trimmer in the receiver must be set to one of the two highest frequencies. If the alignment information specifies adjustment to the highest-frequency (minimum-capacity) peak, use the highest-frequency peak obtainable on the trimmer. If it specifies adjustment to the lowest-frequency (maximum-capacity) peak, use the peak next lower in frequency to the highest-frequency one obtainable. This is the correct procedure in all cases where the intermediate frequency used in the receiver is less than 800 kc, and when the fundamental (not a harmonic) frequency delivered by the Test Oscillator is being used.

When using this Test Oscillator, it is important to keep its output controls at the lowest possible setting in order to avoid unwanted beat notes and harmonics which may otherwise be present.

RECEIVER
ALIGNMENT

Part 18—Use of RCA Stock No. 9595 Test Oscillator (TMV-97-C), RCA Stock No. 9558 Frequency Modulator (TMV-128-A), and RCA Stock No. 9545 Cathode Ray Oscillograph.



FREQUENCY MODULATOR STOCK N ^o . 9558 TMV-128-A	TEST OSCILLATOR STOCK N ^o . 9595 TMV-97-C	RECEIVER CHASSIS STOCK N ^o . 9545 TMV-122-B	CATHODE RAY OSCILLOGRAPH STOCK N ^o . 9545 TMV-122-B
--	---	---	---

Figure 8

When using the RCA Stock No. 9595 Test Oscillator (TMV-97-C), and RCA Stock No. 9558 Frequency Modulator (TMV-128-A), and RCA Stock No. 9545 Cathode Ray Oscillograph (TMV-122-B), it is necessary to determine the correct Test Oscillator dial setting with Frequency Modulator plugged in, for any given frequency, in order that the sweep range will center about that particular frequency. Make connections to receiver chassis and Dummy Antenna. Connect the test equipment as shown in figure 8, and adjust it as follows:

Frequency Modulator:

Disconnect by removing plug-in cable from Test Oscillator (not from Frequency Modulator).

Test Oscillator:

RANGE KC—Range within which specified frequency falls.

DIAL—Specified alignment frequency.

HI-LO control switch { Low as possible and still keep
OUTPUT control knob { screen filled with image.

Modulation switch—MOD.

Power switch—ON.

Cathode Ray Oscillograph:

INTENSITY { Adjust to give clear, sharply
FOCUS { defined image on screen.

AMPL. A—ON.

RANGE switch—2.

AMPL. B—TIMING.

SYNC. control—Approximately 5.

FREQ. control—Approximately 7.

VERTICAL GAIN—Maximum clockwise.

SYNC. switch—INT.

HORIZONTAL GAIN—Approximately 5.

With the test equipment controls adjusted as indicated above, align the circuit in question for maximum (peak) amplitude as indicated on the Oscillograph screen. Then change only the test equipment settings noted below leaving the other controls as they were:

Frequency Modulator:

Power switch—ON.

HI-LO switch—HI. See text below.

Cable—Plugged into Test Oscillator.

Test Oscillator:

RANGE KC } See text below.
DIAL }

Modulation switch—OFF.

Cathode Ray Oscillograph:

FREQ. control—Approximately 8.

SYNC. switch—EXT.

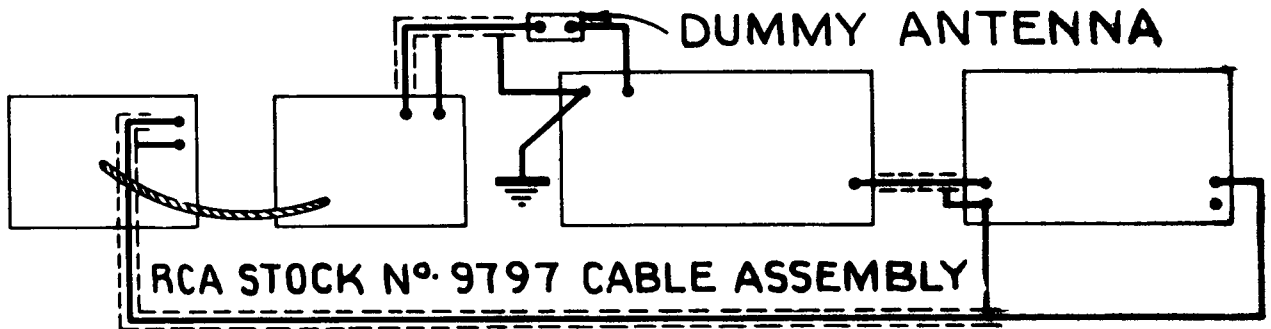
Increase the frequency of the Test Oscillator by slowly turning its tuning control until two separate, distinct, and similar waves appear on the screen. If only one wave appears, increase the "Freq." control on the Oscillograph to obtain two waves. These waves will be identical in shape, totally disconnected, and appear in reversed positions. They will have a common base line which is discontinuous. Adjust the "Freq." and "Sync." controls of the Oscillograph to make them remain motionless on the screen. Continue increasing the Test Oscillator frequency until these forward and reverse curves move together and overlap, with their highest points exactly coincident. For some frequencies, this will necessitate moving the "Range-kc" switch on the Test Oscillator to the next higher-frequency position, and may also necessitate throwing the "Hi-Lo" switch on the Frequency Modulator to the "Lo" position. In still other cases, it may be necessary to tune the Test Oscillator to a lower frequency and increase its output, thereby using one of its harmonics instead of the fundamental frequency. The equipment is now producing a test signal which is sweeping around the specified alignment frequency to which the Test Oscillator was originally adjusted, and this specified frequency is exactly in the middle of the range of sweep.

The circuit being aligned (to which the Test Oscillator output was originally connected) must now have its trimmers or magnetite cores adjusted so that the two curves on the Oscillograph screen coincide throughout and have maximum amplitude.

It is desirable to write down the final switch and dial settings of the Frequency Modulator and Test Oscillator for future reference. If this is done, much future work can be eliminated since then it will only be necessary to adjust the test equipment to these final settings, and it will be ready for use in aligning any circuit which must be aligned to that particular frequency.

The Frequency Modulator method of sweeping is generally used only for frequencies below 2,000 kc. At higher frequencies, the Frequency Modulator is not used and alignment adjustments are made for peak amplitude only as shown on the Oscillograph screen.

Part 19—Use of RCA Stock No. 9595 Test Oscillator (TMV-97-C), RCA Stock No. 9558 Frequency Modulator (TMV-128-A), and RCA Stock No. 151 Cathode Ray Oscillograph.



FREQUENCY MODULATOR	TEST OSCILLATOR	RECEIVER CHASSIS	CATHODE RAY OSCILLOGRAPH
STOCK NO. 9558	STOCK NO. 9595		STOCK NO. 151
TMV-128-A	TMV-97-C		

Figure 9

When using the RCA Stock No. 9595 Test Oscillator (TMV-97-C), and RCA Stock No. 9558 Frequency Modulator (TMV-128-A), and RCA Stock No. 151 Cathode Ray Oscillograph, it is necessary to determine the correct Test Oscillator dial setting with Frequency Modulator plugged in, for any given frequency, in order that the sweep range will center about that particular frequency. Make connections to receiver chassis and Dummy Antenna. Connect the test equipment as shown in figure 9, and adjust it as follows:

Frequency Modulator:

Disconnect by removing plug-in cable from Test Oscillator (not from Frequency Modulator).

Test Oscillator:

RANGE KC—Range within which specified frequency falls.

DIAL—Specified alignment frequency.

HI-LO control switch } Low as possible and still keep

OUTPUT control knob } screen filled with image.

Modulation switch—MOD.

Power switch—ON.

Cathode Ray Oscillograph:

INTENSITY } Adjust to give clear, sharply
FOCUS } defined image on screen.

CENTERING—V } Adjust to center image on

CENTERING—H } screen.

AMP. V switch—ON.

AMP. H switch—TIMING.

GAIN (under intensity control)—Maximum clockwise.

FREQUENCY—Approximately 15.

SYNC. control—Maximum clockwise.

RANGE—1.

GAIN (under focus control)—70.

Wire from Frequency Modulator disconnected from
HORIZ.-HIGH binding post.

Connect jumper between HORIZ.-HIGH and SYNC.
HIGH binding posts.

With the test equipment controls adjusted as indicated above, align the circuit in question for maximum (peak) amplitude as indicated on the Oscillograph screen. Then change only the test equipment settings noted below leaving the other controls as they were:

Frequency Modulator:

Power switch—ON.

HI-LO switch—HI. See text below.

Cable—Plugged into Test Oscillator.

Test Oscillator:

RANGE KC }
DIAL } See text below.
Modulation switch—OFF.

Cathode Ray Oscillograph:

SYNC. control—Approximately one-half clockwise.

Remove jumper between HORIZ.-HIGH and SYNC.
HIGH binding posts.

Connect wire from HORIZ.-HIGH binding post to
Frequency Modulator.

Increase the frequency of the Test Oscillator by slowly turning its tuning control until two separate, distinct, and similar waves appear on the screen. If only one wave appears, increase the "Frequency" control on the Oscillograph to obtain two waves. These waves will be identical in shape, totally disconnected, and appear in reversed positions. They will have a common base line which is discontinuous. Adjust the "Frequency" and "Sync." controls of the Oscillograph to make them remain motionless on the screen. Continue increasing the Test Oscillator frequency until these forward and reverse curves move together and overlap, *with their highest points exactly coincident*. For some frequencies, this will necessitate moving the "Range-kc" switch on the Test Oscillator to the next higher-frequency position, and may also necessitate throwing the "Hi-Lo" switch on the Frequency Modulator to the "Lo" position. In still other cases, it may be necessary to tune the Test Oscillator to a lower frequency and increase its output, thereby using one of its harmonics instead of the fundamental frequency. The equipment is now producing a test signal which is sweeping around the specified alignment frequency to which the Test Oscillator was originally adjusted, and this specified frequency is exactly in the middle of the range of sweep.

The circuit being aligned (to which the Test Oscillator output was originally connected) must now have its trimmers or magnetite cores adjusted so that the *two curves on the Oscillograph screen coincide throughout and have maximum amplitude*.

It is desirable to write down the final switch and dial settings of the Frequency Modulator and Test Oscillator for future reference. If this is done, much future work can be eliminated since then it will only be necessary to adjust the test equipment to these final settings, and it will be ready for use in aligning any circuit which must be aligned to that particular frequency.

The Frequency Modulator method of sweeping is generally used only for frequencies below 2,000 kc. At higher frequencies, the Frequency Modulator is not used and alignment adjustments are made for peak amplitude only as shown on the Oscillograph screen.

**RECEIVER
ALIGNMENT**

Part 20—Use of RCA Stock No. 150 Test Oscillator and RCA Stock No. 9545 Cathode Ray Oscilloscope (TMV-122-B).

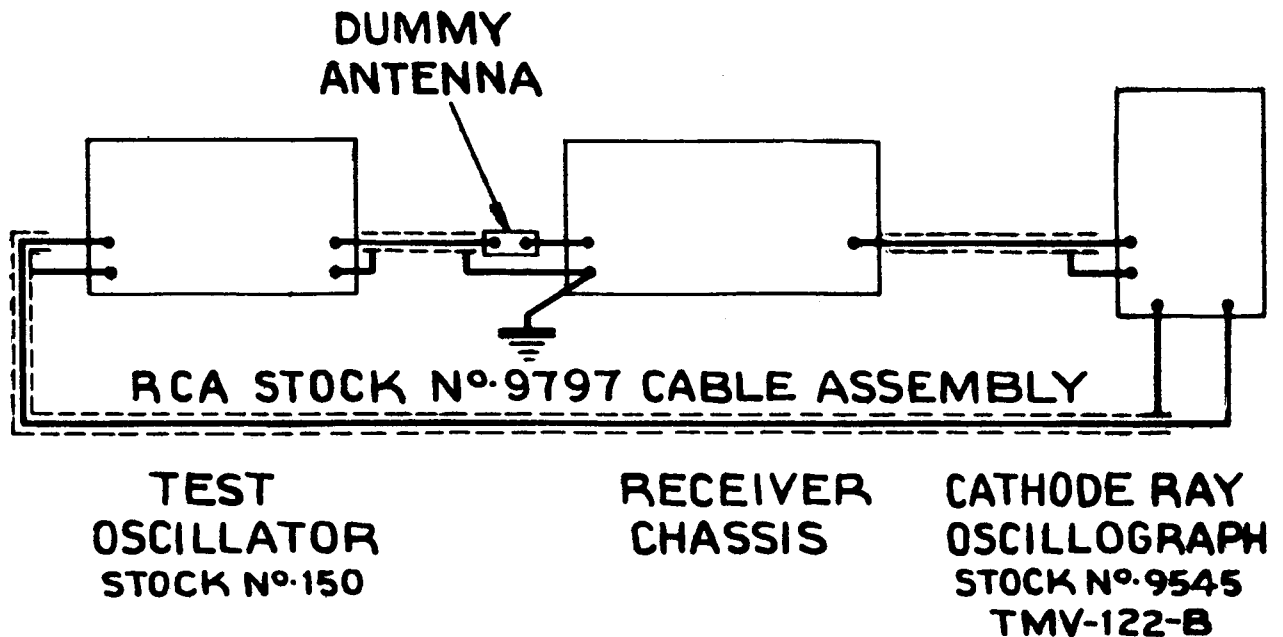


Figure 10

When using the RCA Stock No. 150 Test Oscillator and RCA Stock No. 9545 Cathode Ray Oscilloscope (TMV-122-B), make connections to receiver chassis and Dummy Antenna. Connect the equipment as shown in figure 10, and adjust it as follows:

Test Oscillator:

- SWEEP KC—Between 20 and 40.
- DIAL—Specified alignment frequency.
- RANGE KC—Range within which specified frequency falls.
- POWER switch—ON.
- MODULATION switch—FREQ.
- Output controls FINE and COURSE—Low as possible and still keep screen filled with image.

Cathode Ray Oscilloscope:

- INTENSITY } Adjust to give clear, sharply
- FOCUS } defined image on screen.
- AMPL. A—ON.
- RANGE switch—3.
- AMPL. B—TIMING.
- SYNC. control—Maximum clockwise.
- FREQ. control—Approximately 8.
- VERTICAL GAIN—Maximum clockwise.
- SYNC. switch—EXT.
- HORIZONTAL GAIN—Approximately 4.

Two separate, distinct, and similar waves should now appear on the screen. If only one wave appears, increase the "Freq." control on the Oscilloscope to obtain two waves. These waves will be identical in shape, totally disconnected, and appear in reversed positions. They will have a common base line which is discontinuous. Adjust the "Freq." and "Sync." controls of the Oscilloscope to make them remain motionless on the screen. Turning the Test Oscillator dial slightly should cause them to move back and forth across

the screen. However, before making any alignment adjustments, the Test Oscillator dial must be adjusted to the specified alignment frequency.

The circuit being aligned (to which the Test Oscillator output was originally connected) must now have its trimmers or magnetite cores adjusted so that the two waves on the Oscilloscope screen coincide throughout and have maximum amplitude.

In most receivers, the trimmer which tunes the local oscillator for the high-frequency band (usually around 12,000 kc and higher) has sufficient capacity to tune it over a rather wide range of frequencies. The RCA Stock No. 150 Test Oscillator, because of its beat-frequency principle, produces on the two high-frequency bands (frequencies from 7,000 kc to 32,000 kc) the frequency to which the dial is calibrated and also another frequency 1,600 kc lower. Thus, it is sometimes possible to produce the desired resonance curve on the screen at four different settings of the receiver's local-oscillator trimmer. Two of these points represent the correct tuning, and the image, for the frequency of the Test Oscillator shown on its dial. The other two represent the correct tuning, and the image, for the additional frequency coming from the Test Oscillator which is 1,600 kc lower than the one shown on its dial. When this condition exists, the local-oscillator trimmer in the receiver must be set to one of the two highest frequencies. If the alignment information specifies adjustment to the highest-frequency (minimum-capacity) peak, use the highest-frequency peak obtainable on the trimmer. If it specifies adjustment to the lowest-frequency (maximum-capacity) peak, use the peak next lower in frequency to the highest-frequency one obtainable. This is the correct procedure in all cases where the intermediate frequency used in the receiver is less than 800 kc, and when the fundamental (not a harmonic) frequency delivered by the Test Oscillator is being used.

When using this Test Oscillator it is important to keep its output controls at the lowest possible setting in order to avoid unwanted beat notes and harmonics which may otherwise be present.

"CONDENSED ALIGNMENT PROCEDURE"

Model 150 — Electronic Sweep Oscillator.

A. Adjustment of Fixed Frequency Oscillator - The 6F7 oscillator stage must be adjusted to operate exactly at 800 KC in all positions of the "CW-AMP-FREQ." switch.

- (1) Adjust tap of resistor R-10 to give 2.75 volts between the cathode of the Frequency Control tube (6C6) and ground.
- (2) Advance "Range KC" Control to #6 position and set variable capacitor to its minimum capacitance position (full out of mesh).
- (3) Tune in the 8th harmonic (800 KC) of an RCA Stock #9572 Crystal Calibrator on a broadcast receiver.
- (4) Connect the test oscillator output to receiver antenna-ground terminals.
- (5) Set oscillator "Modulation" Control on "FREQ." and reduce the "Sweep KC" (R-1) Control to its zero position or turned completely counter-clockwise.
- (6) Adjust trimmer C-28 to produce zero beat signal in receiver output.
- (7) Without otherwise disturbing oscillator or receiver, shift "Modulation" Control to "CW", and adjust compensating capacitor C-17 to restore the zero beat. If proper zero beat adjustment is not within the range of C-17, it will be necessary to slightly re-adjust the bias resistor R-10 - see (1). If zero beat requires less indicated capacitance in C-17, then the bias voltage should be increased slightly. If more indicated capacitance is required on C-17, the bias voltage must be decreased slightly. The alignment steps (2), (3), (4), (5), (6) and (7) must then be repeated.

B. Adjustment of Variable Frequency Oscillator - Trimmers are provided in the variable oscillator circuits for alignment at the high frequency end of each tuning range. These must be properly adjusted in respect to frequency and correct dial setting. The following procedure will establish correct alignment of the variable oscillator at the proper points; while the 800 KC oscillator is kept in-operative so as to avoid beat signals and harmonics that may be confusing otherwise. The oscillator and crystal calibrator must be operating into a receiver which will tune to 1100 KC, 1800 KC, 3300 KC, 7800 KC, 13000 KC, and 31000 KC.

- (1) Adjust the dial so that the index mark is exactly opposite the continuous radial line at the low frequency end of the scales when the capacitor is in full mesh.
- (2) Ground the top control grid of the 6A7 variable oscillator. This removes the 800 KC signal from the Mixer Stage leaving only the variable oscillator signal in the output.
- (3) Band #1 - Tune the receiver to the 11th harmonic of the Crystal Calibrator at 1100 KC. Set the oscillator to the 300 KC dial reading. Adjust trimmer C-36 to produce zero beat.
- (4) Band #2 - Tune the receiver to the 18th harmonic of the Crystal Calibrator at 1800 KC. Set the oscillator to a reading of 1000 KC. Adjust trimmer C-35 to give zero beat.
- (5) Band #3 - Tune the receiver to the 33rd harmonic of the Crystal Calibrator at 3300 KC. Set the oscillator to 2500 KC on the dial. Adjust trimmer C-34 to give zero beat.
- (6) Band #4 - Tune the receiver to the 78th harmonic of the Crystal Calibrator at 7800 KC. Set the oscillator to 7000 KC on the dial. Adjust C-33 to give zero beat.
- (7) Band #5 - Tune the receiver to the 13th harmonic of the Crystal Calibrator at 13,000 KC. Set the oscillator to 13,800 KC on the dial. Adjust C-32 to give zero beat.
- (8) Band #6 - Tune the receiver to the 31st harmonic of the Crystal Calibrator at 31,000 KC. Set the oscillator to 31,800 KC on the dial. Adjust C-31 to give zero beat.

C. Adjustment of Sweep Control - The bias adjustment R-10 determines the symmetry of frequency sweep and also affects the tuning of the 800 KC fixed frequency oscillator. The correct setting of this adjustment is to a value of 2.75 volts, however, due to slight variations in characteristics of the 6C6 tubes a slightly lower or higher value may be required to give:- (a) equal range of sweep above and below the normal frequency, and (b) proper control range for capacitor C-17.

Check of the symmetry can be made by placing the Oscillator in operation at 580 KC (or some other frequency where the receiver dial is graduated in 5 KC. markings) with "Modulation" in the "Freq." position. The signal should be tuned on a broadcast receiver with an oscillograph connected and adjusted to show the typical forward and reverse curves. Tuning the receiver above and below 580 KC will cause the curves to disappear or merge into a straight horizontal line. The points on the receiver dial at which the curve disappears should be at approximate equal KC. from the 580 KC reference point. If seriously poor symmetry is indicated, R-10 should be readjusted, and if necessary, exchange the 6C6 Frequency Control tube. If R-10 is varied, it is imperative to re-check the alignment of the Fixed Frequency Oscillator as in A.

RMA STANDARD RESISTOR (COLOR CODE) CHART



BODY COLOR denotes first significant figure; END COLOR denotes second significant figure and DOT denotes the number of ciphers placed after the first two significant figures.

When color used on <u>BODY</u> <u>END</u> or <u>DOT</u> is	First or Second Significant figure is	Number of ciphers placed after the first two significant figures
Black	0	none
Brown	1	0
Red	2	00
Orange	3	000
Yellow	4	0000
Green	5	00000
Blue	6	000000
Violet	7	_____
Gray	8	_____
White	9	_____

Below are typical resistor values as obtained from the code listed above.

<u>Body Color</u>	<u>End Color</u>	<u>Dot Color</u>	<u>Resistor - value in ohms</u>
Brown	Black	Black	10
Red	Green	Black	25
Orange	Black	Brown	300
Green	Blue	Brown	560
Orange	Black	Red	3,000
Green	Yellow	Red	5,400
Brown	Black	Orange	10,000
Blue	Green	Orange	65,000
Red	Green	Yellow	250,000
Green	Brown	Yellow	500,000
Brown	Black	Green	1,000,000
Red	Green	Green	2,500,000
Brown	Gray	Blue	18,000,000
Red	Black	Blue	20,000,000

Typical working example:- Take a resistor with a red body, green end and orange dot. From the chart listed above a red body is 2, a green end is 5 and an orange dot is 3 ciphers after the first two significant figures, thus giving the above resistor a value of 25,000 ohms.

Calculating series and parallel resistance networks

When two or more resistors appear in series the total resistance of the network is the sum total of all the individual resistance values.

EXAMPLE:- Two resistors R1 and R2 appear in a series circuit. The value of R1 is 2,000 ohms and R2 is 3,000 ohms. The total resistance of this series network composed of R1 and R2 therefore is $R1 = 2,000$ ohms plus $R2 = 3,000$ ohms or 5,000 ohms.

2. When two resistors appear in a parallel network the total resistance of the network is the product of the two resistance values divided by the sum of the two resistance values.

Calculating series and parallel capacitor networks--continued

EXAMPLE:- R1 and R2 appear in a parallel circuit. The value of R1 is 10 ohms and R2 is 10 ohms. The total resistance of this parallel network is calculated thus:

$$\frac{R1 \times R2}{R1 + R2} = \frac{10 \times 10}{10 + 10} = \frac{100}{20} = 5 \text{ ohms}$$

When more than two resistors appear in a parallel network the resistance units should be divided up into groups of two and calculated according to the above instructions.

Calculating series and parallel capacitor networks

(1) When two or more capacitors appear in parallel the total capacity of the network is the sum total of all the individual capacity values.

EXAMPLE:- Two capacitors C1 and C2 appear in a parallel circuit. The value of C1 is 3 mfd. and C2 is 6 mfd. The total capacity of this parallel network consisting of C1 and C2 therefore is C1 = 3 mfd. plus C2 = 6 mfd. or 9 mfd.

(2) When two capacitors appear in a series circuit the total capacity of the circuit is the product of the two capacitor values divided by the sum of the two capacitor values.

EXAMPLE:- C1 and C2 appear in a series network. The value of C1 is 5 mfd. and C2 is 20 mfd. The total capacity of this series network is calculated thus:-

$$\frac{C1 \times C2}{C1 + C2} = \frac{5 \times 20}{5 + 20} = \frac{100}{25} = 4 \text{ mfd.}$$

When more than two capacitors appear in a series network the capacitor units should be divided up into groups of two capacitors and calculated according to the foregoing instructions.

OHM'S LAW

One of the most useful and effective instruments to a service engineer is a fundamental knowledge of Ohm's law. The following outline and general examples should be followed carefully. The three essentials required for any electric circuit are:--

"Voltage" designated by the letter "E".

"Current" designated by the letter "I".

"Resistance" designated by the letter "R"

These three units are dependent upon one another and can therefore be used to obtain any unknown unit when any two units are known.

Ohm's law states: $E = IR$ $I = \frac{E}{R}$ $R = \frac{E}{I}$

Suppose we desire to know how much resistance appears in a circuit when a voltage "E" of 100 volts forces a current "I" of 10 Amperes through the circuit.

From Ohm's Law - $R = \frac{E}{I}$

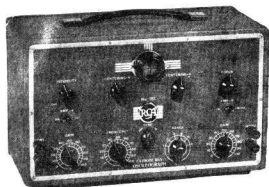
Substituting the above values we find $R = \frac{100}{10} = 10 \text{ ohms}$

Note:- Voltage values "E" are always in volts.
Current values "I" are always in Amperes.
Resistance values "R" are always in ohms.

ALIGNMENT EQUIPMENT by RCA Victor

1-INCH CATHODE RAY OSCILLOGRAPH

For the service engineer who desires the latest in test equipment at a minimum cash outlay, the RCA-151 Oscillograph is to be recommended. You can easily align receivers visually (when used with test oscillator and modulator), check distortion and hum, see exactly what you are doing, when you own this modern instrument—all at a price you can afford to pay. This Model 151 Oscillograph is of traditional RCA quality, is built to give long and faithful service and is a necessity for servicing the complex radio receivers of today. Check the specifications and see what outstanding performance the Model 151 offers to the progressive service engineer. In addition to radio servicing, this is a general purpose oscillograph, finding many invaluable applications in radio transmitter, sound equipment, industrial, and educational fields.



Model 151 (60 cycle) NET Price \$44.95

Model 151A (25 cycle) NET Price \$44.95

SPECIFICATIONS

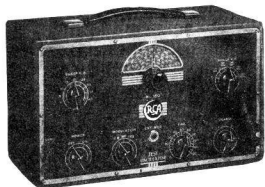
RADIOTRONS	1 RCA-913, 1 RCA-885, 2 RCA-626, 1 RCA-30, Total 5	DIMENSIONS	Length 13 $\frac{3}{4}$ ", Height 9 $\frac{1}{2}$ ", Depth 7 $\frac{1}{2}$ ", Weight 14 $\frac{1}{2}$ lbs.
SENSITIVITY	1.75 volts (RMS) for full scale deflection	FINISH	Gray wrinkle lacquer with nickel trimmings. Reversed etched nickel-silver panel, snap handle and large soft rubber feet.
AMPLIFIER	Flat 20—15,000 cycles, gain 50.		
TIMING AXIS	30—10,000 cycles.		
POWER SUPPLY	110 volts 50-60 cycles.		
INPUT POWER	30 watts.		

Stock No. 151-A, for 25 cycle operation

Stock No. 151

ELECTRONIC SWEEP TEST OSCILLATOR

This fine oscillator not only offers every important feature for servicing all radio receivers, but has the additional highly desirable quality of having its own internal frequency modulator for visual oscillographic alignment. This feature permits you to visually align receivers with any oscillograph, or alone, you may use it with an output indicator or meter. For those who desire the finest in test oscillator equipment, this unit is to be recommended.



Model 150 (60 cycle) NET Price \$64.50

Model 150A (25 cycle) NET Price \$64.50

SPECIFICATIONS

FREQUENCY RANGE	90-32,000 kcs.; fundamental frequency, 6 ranges—no harmonics.	OUTPUT VOLTAGE	0.25 volts maximum at all frequencies—negligible leakage.
RADIOTRONS	RCA-647, Variable Frequency Oscillator and Mixer, RCA-677, Fixed Frequency Oscillator and 400 cycle Oscillator, 2 RCA-626, Sweep Generator, RCA-30, Rectifier.	OUTPUT CONTROL	Three-step attenuator plus continuously variable control.
MODULATION	Amplitude, 400 cycles 30%. Frequency, 120 times per second, adjustable from 1 to 40 kcs. at any output frequency—calibrated control.	DIMENSIONS	Length, 13 $\frac{3}{4}$ "; height, 9 $\frac{1}{2}$ " depth, 7 $\frac{1}{2}$ "; weight 17 lbs. Special snap handle—sturdy case.
DIAL	4 inches. Direct reading, indirect illumination, no parallax, vernier ratio 2:1 and 5:1, 4" diameter, calibration accuracy 1%. Scale length, 45 inches.	FINISH	Gray wrinkle lacquer with nickel trimmings. Reversed etched, nickel-silver panel—large, soft rubber feet.

Stock No. 150A (for 25 cycle operation)

Stock No. 150

UNIVERSAL AC BRIDGE

MEASURES	}	Inductance	100 microhenries to 10 henries
		Capacity	10 micro-microfarads to 10 microfarads
		Resistance	1 ohm to 1 megohm

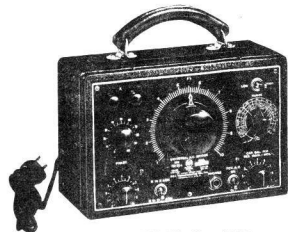
Here is an instrument that simplifies and speeds the analysis of many service or laboratory problems. It quickly checks inductance, capacity and resistance over extremely wide ranges. The only additional equipment needed is a headphone for use as a null indicator. This Universal AC Bridge, designed and manufactured by RCA, assures you of the finest engineering and quality. It's an instrument that will increase the efficiency of your work and the size of your earnings.

SPECIFICATIONS

CIRCUIT	Variable — Ratio — Arm A. C. Wheatstone Type Bridge	Capacitance	10 mmfd. to 10 mfd. Accuracy, 5% overall at full scale.
TUBES	1 RCA-2S25, 1 RCA-76, 1 RCA-6F7	POWER SUPPLY	110-120 volts, 25-60 cycles a.c. Power consumption, 40 watts.
WEIGHT	Case 6 $\frac{1}{2}$ in. x 9 $\frac{1}{2}$ in. x 4 $\frac{1}{2}$ in.	FREQUENCY OF AUDIO OSCILLATOR	1000 cycles \pm 10%.
SIZES	5 $\frac{1}{2}$ lbs.		
RANGES	Resistance, 1 ohm to 1 megohm. Inductance, 100 microhenries to 10 henries.		

Stock No. 9600

Complete with all tubes and standards



STOCK No. 9600
NET PRICE \$65.00

3-INCH CATHODE RAY OSCILLOGRAPH

Here is RCA's newest and finest general purpose 3-inch Oscillograph. It retains all of the fine qualities of its predecessors, and many new features—all at a new low price. For the finest work, a 3-inch Oscillograph is preferable. This size gives an easily read image, yet does not require the expensive accessory equipment of larger tubes. All controls, including the spot centering controls, are located on the front panel and are of the easily adjusted bar type. Greater portability is achieved through reduced size and weight. Attractive new styling, more flexible electrical design and better performance make this instrument unusually attractive. Check the specifications below and see the outstanding value RCA offers in this new Oscillograph. Uses improved high-sensitivity Cathode Ray Tube with Aquadag tube coating.

SPECIFICATIONS

RADIOTRONS... 1 RCA-906 (improved type), 2 RCA-6C6, 2 RCA-80, 1 RCA-884—Total 6.
 SENSITIVITY... Without amplifier—20 volts (RMS) per inch deflection.
 With amplifier—0.5 volt (RMS) per inch deflection.
 AMPLIFIER RESPONSE... Flat, 20—99,000 cycles—Gain 40
 TIMING AXIS... 15—22,000 cycles
 CONTROLS... Front panel for all operations, including

panel centering.
 POWER SUPPLY... 110-volts, 50-60 cycles
 INPUT POWER... 50 watts
 DIMENSIONS... H 15", W 8", D 14",
 Weight 21 lbs.
 FINISH... Blue-gray baked wrinkle lacquer with streamlined handle.
 Copper plating on chassis and inside of panel and cabinet.

Stock No. 155



No. 155

STOCK No. 155

NET PRICE \$79.50

FREQUENCY MODULATOR

A motor-driven unit for aligning receivers with your test oscillator and oscillograph.

The RCA Frequency Modulator is designed to modulate the r-f frequency of your test oscillator (No. 9595) over a range sufficient for visual alignment with your oscillograph. It sweeps the r-f voltage over the resonant frequency of the circuit under test and generates an AC synchronizing voltage simultaneously. Permits the use of the reverse sweep method of alignment, the method used by all leading radio manufacturers. It is for use *only* with oscillators not having internal frequency modulations.

SPECIFICATIONS

TUNING CAPACITOR... Two sections—each 35 mmfd. capacity. Switch for connecting either or both in circuit.
 CONNECTING CABLE... 14-inch low-capacity connecting cable with plugs at each end.
 GENERATOR FREQUENCY... Two cycles per revolution for positive synchronizing with double-sweep alignment.
 GENERATOR VOLTAGE... 1.5 volts minimum.
 MOTOR... Repulsion induction type—1550 r.p.m.

PANEL CONTROLS... "Hi-Lo" capacity switch, "On-Off" switch, output binding posts and single-circuit jack.
 FINISH... Gray wrinkle lacquer to match other RCA Test Equipment.
 SIZE... Case (excluding handle) 6½ in. x 9¼ in. x 4½ in. Weight, 5½ lbs.
 CURRENT CONSUMPTION... 25 watts
 POWER SUPPLY... 110 volts, 60 cycles A. C.

Stock No. 9558



No. 9558

STOCK No. 9558

NET PRICE \$37.50

BATTERY POWERED OSCILLATOR

Service engineers desiring a highly portable accurate test oscillator will find this unit entirely satisfactory. It is extremely small in size, and weighs only 5 lbs. It is ideally suited for testing automobile and battery receivers at locations where A-C is not available in addition to its regular use with A-C receivers. Internal 400 cycle modulation is provided together with a panel jack for the application of external modulating voltage such as from a Beat Frequency Oscillator. Also, oscillograph operation is provided by a jack connected across the tuning capacitor for use with an external frequency modulator.

SPECIFICATIONS

FREQUENCY RANGE... 90 kc. to 25,000 kc. (8 bands).
 R-F OUTPUT VOLTAGE... 2 position switch with variable attenuator. Gives control of output voltage from 1 microvolt to 0.2 volts, up to 1500 kc. Maximum from 1500 to 25,000 kc., 0.1 volts with somewhat greater minimum.
 CALIBRATION ACCURACY... plus and minus 3%.

TUBES... 2 RCA-30, 1 R-F Oscillator and 1 A-F Oscillator.
 SIZE... 6½"x9¼"x4½", Weight 5 lbs.
 FINISH... attractive gray wrinkle lacquer with red RCA monogram. Reversed etched dials.



No. 9595

STOCK No. 9595

NET PRICE \$44.50



BEAT FREQUENCY AUDIO OSCILLATOR

The RCA Beat Frequency Audio Oscillator is an instrument that should be in the shop of every service engineer. It gives a variable frequency source of alternating current voltage from 30 to 15,000 cycles—more than the range of the finest radio receivers now built. It is excellent for testing loudspeakers, PA systems, for locating cabinet rattles, and for running fidelity curves on radio receivers. It has many other important service applications.

Entirely AC operated.

Output 60 milliwatts.

Weight only 10¾ pounds.

Contains 4 new-type RCA acorn tubes, plus rectifier.

Stock No. 9633

Net Price \$90.00



TMV-97-B

RCA FULL RANGE OSCILLATOR

The Stock No. 9050 Full Range Oscillator is a modulated R.F. Oscillator designed for servicing receivers of all types and manufacture. It covers the frequency range from 90 K. C. to 25,000 K. C. continuously with a direct reading scale ($\pm 3\%$). The output is controlled by means of an attenuator and is modulated 50% at 400 cycles. Weight complete with batteries, 5 pounds. Size, 8½" x 9¾" x 4½".

Stock No. 9050

Net \$39.50

PIEZO-ELECTRIC CALIBRATOR

The RCA Piezo-Electric Calibrator is an instrument that gives you laboratory calibrating accuracy for checking oscillators, alignment points and many other frequencies used in radio service work. It contains a special crystal oscillator having frequency modes at 100 kc. and 1000 kc., each having prolific harmonics. This unit is complete with its own power supply and acorn type oscillator tube (RCA-955).

Checks frequencies from 100 kc. to 20,000 kc. in 100 kc. steps and 1,000 kc. to 50,000 kc. in 1,000 kc. steps. The guaranteed accuracy is 0.05 per cent of 100 kc. and 1,000 kc.

SPECIFICATIONS

FUNDAMENTAL FREQUENCIES...100 kc.	be connected externally for unmodulated operation if desired.)
ACCURACY OF CALIBRATION...2 parts in 1 million.	POWER CONSUMPTION.....2 watts
TEMPERATURE COEFFICIENT...20 cycles per 1000 kc. per °C.	CONTROLS . . . "Hi-Lo" Toggle switch
POWER REQUIRED...110-120 volt, 50-60 cycle A.C. (90-135 volt d-c plate supply may	SIZE...5½ in. x 3¾ in. x 2½ in. Weight, 1 lb., 3 oz.

Stock No. 9572

No. 9572



NET PRICE
\$41.00

OUTPUT INDICATOR

This is a "burn-out proof" instrument that serves as an excellent indicating device for aligning receivers. You see the actual amount of light that the voice coil current produces. Merely align your trimmer for the greatest brilliancy of the neon lamp. Works with any dynamic loudspeaker. Consists of a tapped step-up transformer, a potentiometer, a glow tube and three binding posts for connecting the output of the receiver to the transformer—all mounted in a die-cast bakelite case.

SPECIFICATIONS

SIZE.....	5½ in. x 2¾ in. x 2¾ in. Weight, 12 oz.
LAMP RATING.....	50-60 volts breakdown.
TRANSFORMER RATIO.....	89:1 (Maximum)
INPUT IMPEDANCES . . .	0 to H, 4 ohms; 0 to L, 1½ ohms; H to L, 6.6 ohm.

Stock No. 4317

No. 4317



NET PRICE
\$5.60

ANTENNAS by RCA Victor

RCA VICTOR MASTER ANTENNA

The RCA Victor Master Antenna is the latest development in antenna design by the world's most famous antenna engineers. It embodies the result of a great amount of development work to give every broadcast receiver owner the ultimate in noise-free radio reception. It not only offers the usual quality of music reducing, but it includes a new balancing circuit by means of which any local noise, such as vacuum cleaners, etc., can be greatly minimized.

This antenna assembly consists of a balanced doublet with a counterpoise parallel to the transmission line. The length of counterpoise is adjustable, the exact dimensions being dependent on the transmission line run.

The frequency range covered is from 540 to 23,000 kcs. including all standard broadcast and foreign short-wave bands.

Stock No. 9845 Complete with Receiver Coupling Transformer \$8.45

Stock No. 9846 Receiver Coupling Transformer List Price \$2.50



No. 9845

List Price \$8.45

IMPROVED MAGIC WAVE ANTENNA

A new highly efficient noise reducing antenna for every type of radio installation.

Here's an antenna that literally has "everything" a radio user requires. Noise reduction over all bands, flexibility in installation and high signal pickup. In no other RCA antenna can you obtain all of the following features:

- * Noise reduction of both standard and foreign broadcasting bands (530 to 23,000 k.c.)
- * Built-in lightning arrester in antenna coupling unit.
- * Operates up to 16 outlets from 1 antenna with additional coupling and distribution transformers (only slight reduction in signal strength.)
- * Easily installed. Completely assembled and soldered.
- * Antenna may be from 20 to 120 feet long.
- * Transmission line may be any length up to 500 feet.
- * 30-foot length of pipe may be used for vertical antenna with underground transmission line.
- * Uses magnetite core transformers.
- * Can easily be attached to existing antennas.

Stock No. 9812

(Includes complete assembly for single outlet installation)



List Price \$7.95

No. 9812

Stock No. 9814, Distribution Transformer (1 required for each 4 additional receivers) List Price \$3.95

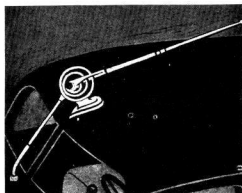
Stock No. 9813, Set Coupling Transformer (1 required for each additional receiver) List Price 2.95

MONOGRAM ANTENNA

A new automobile top antenna of outstanding appearance and efficiency. Streamlined Bakelite Insulator with special rubber suction cup provides easy installation. No holes required in top. Has high gloss satin finish, guaranteed rust-proof. Extends from 21" to 35½" in length. Cowl bar also telescopic. Fits and enhances the beauty of any automobile. Comes complete with low capacity shielded lead-in cable with male fittings for connection to receiver. Weight—13 ounces.

LIST PRICE
\$6.00

Stock No. 9823



No. 9823

COWL TENNA

RCA's latest vertical type automobile antenna. Permanently installed to side of cowl. Streamlined insulator includes rubber pad to insure perfect seal. Extends from 28¾" to 49½" in length. Beautiful appearance, guaranteed rust- and corrosion-proof, high gloss satin finish. Easily installed, all soldering eliminated. Includes 36" low capacity shielded lead-in cable fitted with metal shield can for antenna connection and male bayonet fitting for receiver connection. Weight 9 ounces.

Stock No. 9826

ROD TENNAS

Here are RCA's most easily installed automobile antennas. They require just five minutes for a complete installation job. Remove either door hinge pin, attach the Rodtenna and return the pin. That is all there is to it—no drilling, no soldering, no cementing required. Made of high carbon vanadium steel, triple chromium plated, Stock No. 9827 is of the telescopic type and uses a new non-rusting metal having high gloss satin finish. This antenna is furnished with 36" low capacity shielded cable.

Stock No. 9827, Telescopic Type

NEW POPULAR PRICED ROD TENNA. A new rust-proof high efficiency antenna for every auto radio installation. Extended length 47½ inches; closed, 26 inches. Stainless steel extension, non-rusting metal chromium plated lower section. Complete with 36 inch shielded lead. Stock No. 9851



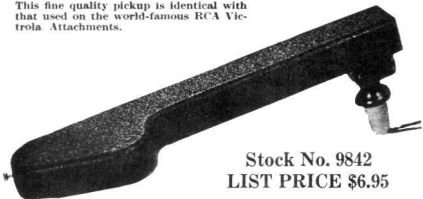
Stock No. 9826
List Price
\$5.85



Stock No. 9827
List \$3.95
Stock No. 9851
List \$2.45

ACCESSORIES by *RCA Victor*

This fine quality pickup is identical with that used on the world-famous RCA Victrola Attachments.



Stock No. 9842
LIST PRICE \$6.95

The RCA Junior Type Pickup gives excellent results on both 10-and 12-inch records. Fine for modernization and P. A. work.



Stock No. 12329
LIST PRICE
\$9.45

This unit permits you to connect any pickup or record player to any radio without removing the chassis or making internal connections.



No. 9554

JUNIOR CRYSTAL PICKUP

RCA's Most Popular-Priced Crystal Pickup

This pickup not only has an unusually attractive price, but it has every important feature necessary for getting the utmost fidelity of reproduction from records. It plays either 10' or 12' records, has a completely sealed crystal, and the needle position is offset to assure true tracking. The swiveled pickup arm is easily raised to the vertical position for flexible insertion. Shock-proof mounting parts are included. The entire assembly is finished in attractive brown wrinkle lacquer to harmonize with No. 9841 Motor.

SPECIFICATIONS

IMPEDANCE 100,000 ohms at 1,000 cycles (1600 mmfd. over range 70-7000 cycles)
FREQUENCY RANGE... 70-7000 cycles
OUTPUT VOLTAGE... 1.5 volts at 1000 cycles with 500,000 ohm load.
NEEDLE PRESSURE... 2.7 ounces
FINISH..... Brown wrinkle lacquer Stock No. 9842
No. 31050 Crystal Cartridge for above. List Price \$5.25

JUNIOR TYPE

For many years this pickup has been a favorite with service engineers for replacement use. It is particularly adaptable to modernization jobs on old phonographs, where space is limited. It is especially recommended for installation with the Stock No. 8-2264 Motor and Turntable Assembly shown on page 318. The entire unit is finished in attractive smooth bronze lacquer.

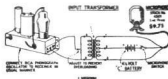
The arm is so designed that correct needle tracking is assured. Impedance, 1400 ohms; output, .30 volts. Stock No. 12329

PHONOGRAPH OSCILLATOR

A Miniature Broadcasting Station for Every Receiver

The RCA Phonograph Oscillator has been designed to permit easy and quick installation of any pickup (magnetic or crystal) to any radio receiver, regardless of its type or circuit. It furnishes a modulated signal which is fed into the input of the radio, just like a broadcast station.

Also, it may be used for the construction of an inexpensive Public Address System, as shown at right. Includes radio-record switch.



SPECIFICATIONS

TUBE REQUIRED..... 6A7 or 2A7
OUTPUT FREQUENCY... 1400-1700 k.c.
POWER SUPPLY... Obtained from receiver. Insulated clips furnished for connection to filament and plate tube prongs.

Stock No. 9554

LIST PRICE
\$13.65

ACCESSORIES *by* RCA Victor

UNIVERSAL WAVE TRAP

A necessity for every customer who is troubled by interference from powerful nearby broadcasting stations, code stations or cross-modulation effects. It is also very helpful for broad tuning receivers. Uses a magnetite core transformer providing a high-Q circuit and has a low loss air dielectric adjustable capacitor. Attenuation is minus 30 db or 32-1 voltage reduction.



Stock No. 13467

STOCK No. 13467
LIST PRICE \$3.70

OSCILLOGRAPH CONNECTING CABLES

For connecting between your oscillograph, test oscillator and radio chassis, you need low capacity shielded cables with handy connecting clips. The Stock No. 9797 assembly consists of three shielded cables designed especially for this use and is a necessity for everyone using the oscillographic method of alignment.

Stock No. 9797



STOCK No. 9797
Net Price \$2.10

RECORD PLAYER CONNECTING SWITCH AND CABLE

This switch is for connecting the RCA Victor Record Player, or any other type of phonograph turntable assembly to a radio receiver so that the user may quickly change from radio to record reproduction. Consists of a small switch assembly that is readily attached to the back of any radio cabinet and sufficient length of shielded cable that may either be connected to a phonograph terminal board or to the proper internal chassis wiring. Knob and mounting screws included.

Stock No. 9824



RCA VICTOR CABINET REFINISHING KIT

Here is a kit that should be a part of every service engineer's equipment. Includes all essentials to perform any small touch-up job or a general cabinet cleaning that you may be called upon to perform. Attention to cabinet details is a sure way of selling yourself to your customers. Every customer appreciates a nice clean piece of furniture and you can sell this service for a good price if you have and use this kit.

CONTENTS:

- | | |
|---|--------------------|
| One each of the following— | Can Tripoli |
| Can Refco oil | Assorted sandpaper |
| Can rubbing oil | Touch-up brush |
| Assorted stick shellac | Rubbing block |
| Spatula | |
| Two packages of aniline stain powders | |
| Instruction sheet | |
| The entire contents are packed in a durable leatherette case with snap buttons. | |

Stock No. 9546

STOCK No. 9824
List Price \$1.40



Net Price \$4.10
No. 9546



RCA TUNING WAND

The RCA Tuning Wand is a special alignment tool which makes possible the checking of alignment in all-wave receivers without disturbing the adjustment of the trimmer capacitors. The tool consists of a bakelite rod having a brass cylinder at one end and a special finely divided iron core at the other end. Inserting the brass cylinder into a coil lowers its inductance, while inserting the iron increases the inductance. Stock No. 6679.

Net Price \$1.50



RCA ALIGNMENT TOOL

The RCA Alignment Tool is a bakelite shaft combination screw driver and socket wrench. The metal screw driver bit is so shaped that the increase in capacity caused by its touching a trimmer screw is offset by the reduction in inductance caused by its shape. The bakelite shaft is 7/32" in diameter, which gives entrance to 1/4" holes, used on older model Radiola receivers. Stock No. 4160.

Net Price \$0.80



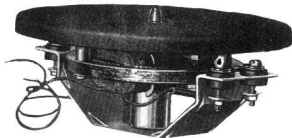
RCA EARPHONE ADAPTOR

A handy unit for connecting hearing aids or headphones to any radio. Has three positions—one for radio alone, one for both earphones and radio, and one for earphones alone. Easily connected across voice coil and gives proper impedance match. Finished in attractive brown wrinkle lacquer and fitted with 36 inch cable and terminal block.

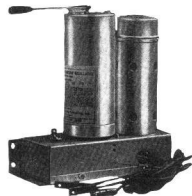
STOCK No. 9715
List Price \$4.90



Air Trimmer Aligning Tool Stock No. 12636—Net Price \$1.50



Synchronous Reaction Motor and Turntable. An ideal unit for modernization work. Requires only a small space for mounting. Handles both 10- and 12-inch records.



No. 9606

SYNCHRONOUS REACTION MOTOR AND TURNTABLE

This new motor is used on many RCA Victor combinations and Record Players. It has shock-proof mountings and is free from wows. This unit is simple in design and is practically wear and trouble-free in operation. Turntable is finished in an attractive brown flock which blends with any cabinet finish. A soft rubber spindle cap prevents vibration pickup by records. Turntable diameter, 7 inches. Plays any size record up to twelve inches in diameter. Consumes only 10 watts.

STOCK No. S-2264 60 cycle

List Price \$ 9.60

STOCK No. S-2265 25 cycle

List Price \$13.60

C-W BEAT OSCILLATOR

The RCA C-W Beat Oscillator has been designed to make a communication type receiver out of the ordinary short-wave broadcast instrument. Produces an unmodulated frequency from 415 kc. to 700 kc. (covers the intermediate frequencies of practically all commercial receivers). Excellent for receiving short wave signals by means of the "birdie" method of reception. The long handle makes the frequency adjustment quite easy, a desirable feature. Readily connected to any type receiver.

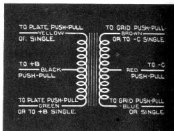
SPECIFICATIONS

CIRCUIT... Electron-coupled having excellent frequency stability.
 FREQUENCY RANGE... 415 kc. to 700 kc.
 RADIOTRON REQUIRED... 1 RCA-58 or 1 RCA-64M (not included).
 CONTROLS... Fine frequency adjustment and "on-off" switch.
 Size... 7 1/2 x 7 inches.
 Weight, 2 lbs.
 Stock No. 9606
 Less Tubes

NET PRICE \$10.50

UNIVERSAL INTERSTAGE A-F TRANSFORMER

The RCA Interstage Transformer permits you to make all audio transformer replacements with a single unit. It contains a center tapped primary and a center tapped secondary for connecting either from or to any single or push-pull stage. Has proper step-up ratio and is easily mounted on any type of chassis. Also recommended to step up pickup output for use with low gain amplifiers.



CIRCUIT DIAGRAM

SPECIFICATIONS

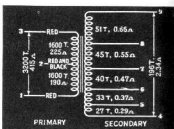
SIZE... 2 in. x 2 1/4 in. x 2 1/4 in. Shielded black finish case—vacuum wax impregnated.
 TURN RATIO... Primary to secondary 1:3 overall.
 PRIMARY CURRENT... 10 milliamperes d. c. (Maximum).

FREQUENCY RESPONSE... 30-10,000 cycles.
 PRIMARY CONNECTIONS... Primary connects to any single or push-pull triode. Secondary, to any single or push-pull stage regardless of tube type.
 Stock No. 9632

No. 9632 List Price \$2.80

UNIVERSAL OUTPUT TRANSFORMERS

This output transformer fits any combination of tubes and speakers ordinarily encountered in service work. It is quickly mounted by means of slot angle brackets, has a silicon steel core and its windings are protected with a baked varnish impregnation. Tinned terminals and long primary leads make installation easy. Fits practically all output tubes and speakers.



CIRCUIT DIAGRAM

SPECIFICATIONS

SIZE... Standard Model—2 1/4 in. x 2 1/4 in. x 2 in. Tropical Model—2 1/4 in. x 2 1/4 in. x 3 in.
 VOICE-COIL IMPEDANCES... 1 to 15 ohms.
 PRIMARY LOAD IMPEDANCES... 1000 to 20,000 ohms.

MAXIMUM WORKING POTENTIAL... 500 volts.
 MAXIMUM PLATE CURRENT (each tube)... 85 milliamperes
 FREQUENCY RANGE... 30 to 10,000 cycles
 Stock No. 7852

No. 7852 List Price \$2.80

INDEX

All information is listed under this heading in the most convenient form for quick, accurate reference. Receiver models are listed (wherever convenient) in numerical order and grouped to conform with the type of circuit in use at that time.

Model	Page	Model	Page	Model	Page
R6.....	3	R93.....	72	340A.....	125
R7.....	5	R93A.....	72	381.....	147
R7A.....	7	R93B.....	75	T4-1.....	150
R8.....	5	R93C.....	77	BT4-1.....	152
R8A.....	7	R93E.....	77	BC4-1.....	152
R9.....	5	R93X.....	72	T4-2.....	151
R9A.....	7	R94B.....	78	BT4-2.....	152
R10.....	8	R95.....	79	BC4-2.....	152
R12.....	10	R101.....	80	T5-1.....	99
R15.....	12	M104.....	81	C5-1.....	99
R16.....	12	R104.....	84	T5-2.....	154
R20.....	14	M105.....	86	C5-2.....	154
R21.....	14	R105.....	84	C5-3.....	154
R22.....	16	R106.....	80	T6-1.....	156
R22A.....	17	R107.....	88	C6-1.....	156
R28.....	19	M108.....	81	T6-2.....	160
R29.....	20	M109.....	92	C6-2.....	156
M30.....	23	R109.....	90	C6-3.....	160
R30.....	21	R0112.....	95	C6-4.....	160
P31.....	26	R115.....	20	BT6-1.....	162
R31.....	20	M116.....	97	BC6-1.....	162
R32.....	28	117.....	99	T7-1.....	164
RE33.....	30	118.....	101	BT7-1.....	169
M34.....	31	119.....	103	C7-1.....	164
R34.....	28	122.....	105	BC7-1.....	169
R35.....	33	M123.....	107	D7-7.....	166
R37.....	35	126B.....	110	T8-14.....	171
RE37.....	36	128.....	112	C8-15.....	171
R39.....	33	129.....	115	C8-16.....	171
RE41.....	38	135B.....	118	D8-1.....	174
RE45.....	28	ACR-136.....	120	C10-1.....	177
RE46.....	28	140.....	123	C10-2.....	177
R48.....	40	141.....	144	D10-1.....	177
R49.....	42	143.....	125	D10-2.....	177
R50.....	44	210.....	20	C12-1.....	182
R52.....	44	211.....	101	C14-1.....	185
R53.....	46	214.....	99	D22-1.....	188
R54.....	48	221.....	105	SM.....	195
R56.....	48	222.....	128	5T-1.....	198
RE57.....	33	223B.....	110	5T-3.....	199
RAE59.....	50	224.....	112	5T-5.....	201
R67.....	53	226.....	115	5K-1.....	199
67M.....	55	230.....	130	5K-2.....	201
67M-2.....	56	235B.....	118	5U.....	201
R68.....	53	242.....	125	6M.....	204
RE80.....	60	262.....	132	6M-2.....	204
RE81.....	62	280.....	135	V6-1.....	207
RAE84.....	65	281.....	137	8T-2.....	208
R87.....	68	321.....	140	8K-1.....	208
R88.....	68	331.....	142	8M.....	211
R90.....	70	340.....	144	8M-1.....	212

Model	Page	Model	Page	Model	Page
8M-3.....	213	94BT.....	263	General Alignment	
8U.....	208	95T-2.....	264	Procedure.....	299
9K-1.....	216	95BT.....	266	Condensed Alignment	
9T-1.....	216	95BT-6.....	267	Procedure.....	309
9U.....	219	95K.....	264	Resistor Chart.....	310
9U-2.....	219	95BK.....	266	Circuit Calcula-	
10K-1.....	224	95BK-6.....	267	tions.....	311
15K-1.....	227	96T.....	269	Ohm's Law.....	311
15U.....	230	96T-1.....	271	Accessories.....	317
Victorphone.....	235	96K.....	269	Adaptor(earphone)..	317
84BT-1.....	236	96BT.....	273	Antennas.....	315
84T-3.....	237	97T.....	274	Bridge (A.C.).....	312
85T-2.....	238	97T-1.....	269	Cables.....	317
85TA.....	238	97K.....	274	Calibrator(Crystal)	314
85K.....	238	97K-1.....	269	Indicator(output)..	314
85KA.....	238	97BK.....	276	Kit(Refinishing)...	317
85BT.....	240	97BK-6.....	277	Modulator.....	313
85BT-1.....	242	97KG.....	269	Motor(Phono).....	318
85BK.....	240	97E.....	269	Oscillator(A.C.)...	312
85BK-1.....	242	98K.....	281	Oscillator(battery)	313
86T.....	244	98KS.....	279	Oscillator(Beat)...	318
86BT.....	247	911K.....	284	Oscillator(Audio)..	314
86K.....	244	911KG.....	284	Oscillator(Phono)..	316
86BK.....	247	911K-8.....	284	Oscillograph(1 inch)	312
87E.....	244	916 H.F.....	287	Oscillograph(3 inch)	313
87K.....	244	U60.....	293	Pickups.....	316
CV-8.....	249	U70.....	296	Switch(Phono).....	317
88T.....	250	U101.....	238	Tools(Aligning)....	317
88K.....	252	U102.....	238	Transformers	
810K.....	254	U103.....	238	(Universal).....	318
812K.....	256	U106.....	254	Wand(Tuning).....	317
816K.....	259	U108.....	254	Wave	
94T.....	262	U160.....	287	Trap.....	317